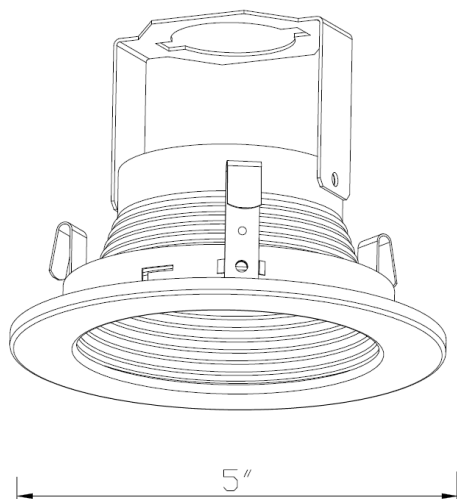
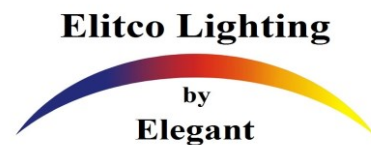


# R4-495CW

4" ROUND Matte White and Chrome Baffle Trim  
With Socket Bracket



Project

Location

## PRODUCT DESCRIPTION

4" Round Baffle Trim

To be used in line voltage applications.

**LAMPING:** Accommodates an PAR20/BR20 bulb. Please see housing for maximum wattage allowed according to selection.

Electroplated finish are anodized for abrasion resistance, with socket bracket to hold the lamp. Steel metal clips secure to housing.

**DIAMETER:** 5"

**FINISHES:** Matte White (MW) and Chrome (CH)

## COMPATIBLE HOUSINGS

Model	Description
ICAT4N-E26	4" 120V PAR20/16 BR20 NEW CONSTRUCTION HOUSING 120V-IC AIR TIGHT
TC4N-E26	4" 120V PAR20/16 BR20 NEW CONSTRUCTION NON-IC AT HOUSING
TC4R-E26	4" 120V PAR20/16 BR20 REMODEL NON-IC AT HOUSING