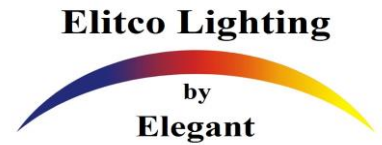


# TC5R-E26-6PK

(RE5R)

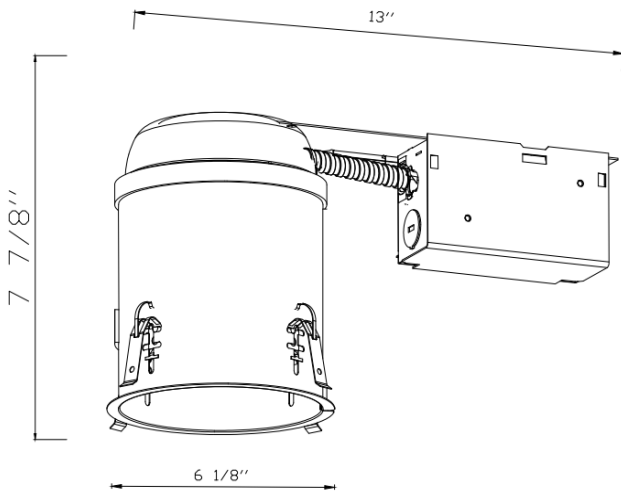
5" LINE VOLTAGE REMODEL NON-IC AIRTIGHT  
HOUSING 120V-IC Air Tight PAR30 BR30 Housing



## PRODUCT DESCRIPTION

TC5R-E26 housing is designed for NON-IC rated airtight ceiling. Accommodates up to 75W PAR30, BR30;18W PAR30 LED LAMP and A19 lamps.

## SPECIFICATIONS:



Pre-wired .042" Metal housing adjusts up to 1 3/4" ceiling thickness. Trim is secured with torsion wing springs/standard coil springs. IC rated housing may have direct contact with insulation.

**AIR FLOW RESTRICTION:** Airtight models are designed to restrict air flow from room into plenums in compliance to the WSEC- Washington State Energy Code (less than 2.0 CFM-Cubic Feet per Minutes).

**MOUNTING FRAME:** 4 High tension remodeling clips designed to secure the housing to an existing sheet rock ceiling

**JUNCTION BOX:** Pre-wired, galvanized steel J-box (25 cubic-inch) with (4) 1/2", (3) 3/4", and (4) Romex knock-outs. Comes with WAGO connectors.

Strain clamps and ground wire. Die-cast aluminum fitting. Equipped with safety standard thermal protector rated for 90°C.

**LABELS:** UL/CUL listed (CUL listed number: E356594), ETL/Cetl listed (3194213)