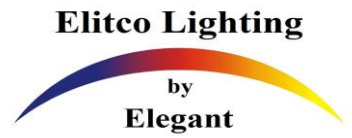


# RE4RICAT-LED

4" LINE VOLTAGE REMODEL IC HOUSING  
120V- IC Air Tight LED Housing



**Project**

**Location**

## PRODUCT DESCRIPTION

**RE4RICAT-LED** housing is designed for IC rated ceiling. Accommodates up to LED Retrofit Trim

## SPECIFICATIONS

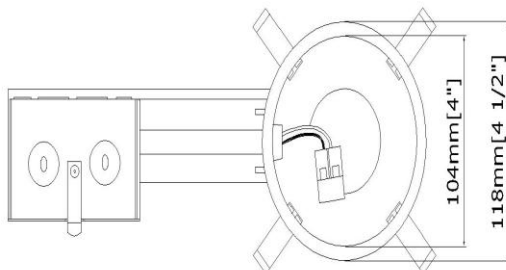
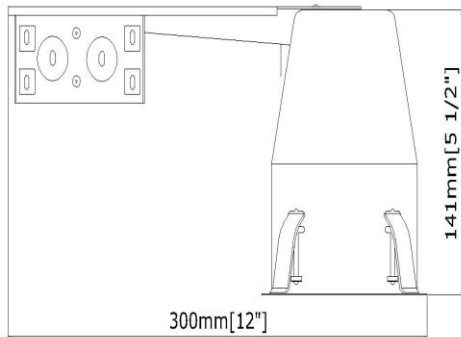
**HOUSING:** Pre-wired .037" steel housing adjusts up to 1 3/4" ceiling thickness. Trim is secured with torsion wing springs/standard coil springs. Designed to be installed in existing sheet rock ceilings via ceiling cut out (above ceiling access is not required). IC rated housing may have direct contact with insulation.

**AIR FLOW RESTRICTION:** Airtight models are designed to restrict air flow from room into plenums in compliance to the WSEC-Washington State Energy Code (less than 2.0 CFM-Cubic Feet per Minutes)

**MOUNTING FRAME:** 4 High tension remodeling clips designed to secure the housing to an existing sheet rock ceiling

**JUNCTION BOX:** Pre-wired, galvanized steel J-box with (4) knock-outs. Strain clamps and ground wire. Equipped with safety standard thermal protector rated for 90°C.

**LABELS:** ETL/CETL listed (ETL listed number: 4005878) ETL listed for through-branch wiring (4) No. 12 AWG 90°C and damp locations.



## COMPATIBLE TRIMS

Model	Description	Finish
RE4LED4RT30	4" LED RETROFIT TRIM 3000K	matte white