

Electric Freestanding Range

EI30EF35J S



Luxury-Glide® Oven Rack

With a ball bearing system, the oven rack is so smooth it extends effortlessly.



Perfect Convection3®

Our convection technology features a third convection element for consistently even results, up to 30% faster cooking times and even more baking options.



Sure-2-Fit® Capacity

Coordinate an entire meal — our oven features 5.8 cu. ft. of cooking space with three adjustable baking racks.



Fresh Clean™ Self-Cleaning Oven System

Innovative feature cleans your oven with virtually no odor or smoke of a conventional self-cleaning oven.

30" ELECTRIC FREESTANDING RANGE

Control Panel Features

| | |
|------------------------------------|-----|
| IQ-Touch™ Electronic Oven Control | Yes |
| Perfect Set® Element Controls | Yes |
| Glass Front Display | Yes |
| Electronic Clock & Timer | Yes |
| Temperature Display | Yes |
| Automatic Oven (Delay, Cook & Off) | Yes |

Cooktop Features

| | |
|--|-----|
| Flex-2-Fit® Ceramic Glass Smoothtop | Yes |
| 9 to 12" Dual Expandable Element 1,800W/3,000W | 1 |
| 6 to 9" Dual Expandable Element 1,200W/3,000W | 1 |
| 5 to 7" Dual Expandable Element 750W/1,800W | 1 |
| 6" Electric Element 1,200W | 1 |
| Warming Zone – 100W | Yes |

Oven Features

| | |
|--|-------------|
| Capacity | 5.8 Cu. Ft. |
| Hidden Bake Element | Yes |
| Eight-Pass Bake Element – 3,500 Watts | Yes |
| Eight-Pass Broil Element – 4,000 Watts | Yes |
| Convection Element – 350 Watts | Yes |
| Cobalt Blue Interior | Yes |
| Self-Clean Options with Door Lock | 3 |
| Perfect Convection3® | Yes |
| Cooking Modes – Bake, Broil, Convection Bake, Convection Roast, Convection Broil, Keep Warm, Slow Cook | 7 |
| Baking Options – My Favorite, Rapid Preheat, Delay Bake, Convection Convert | 4 |
| Oven Light | Yes |
| Luxury-Glide® Racks | 1 |
| Conventional Racks | 2 |
| Convection Roasting Rack | |

Additional Features

| | |
|----------------------------------|-----|
| Signature Soft-Arc Handle Design | Yes |
| Luxury-Hold™ Oven Door | |
| Large Glass Window | Yes |
| Warmer Drawer | |
| Adjustable Leveling Legs | Yes |
| Sabbath Mode (Star-K® Certified) | Yes |

Accessories

| | |
|----------------------------------|----------|
| Porcelain Broiler Pan and Insert | Included |
| Grill/Griddle – PN # 318251611 | Optional |

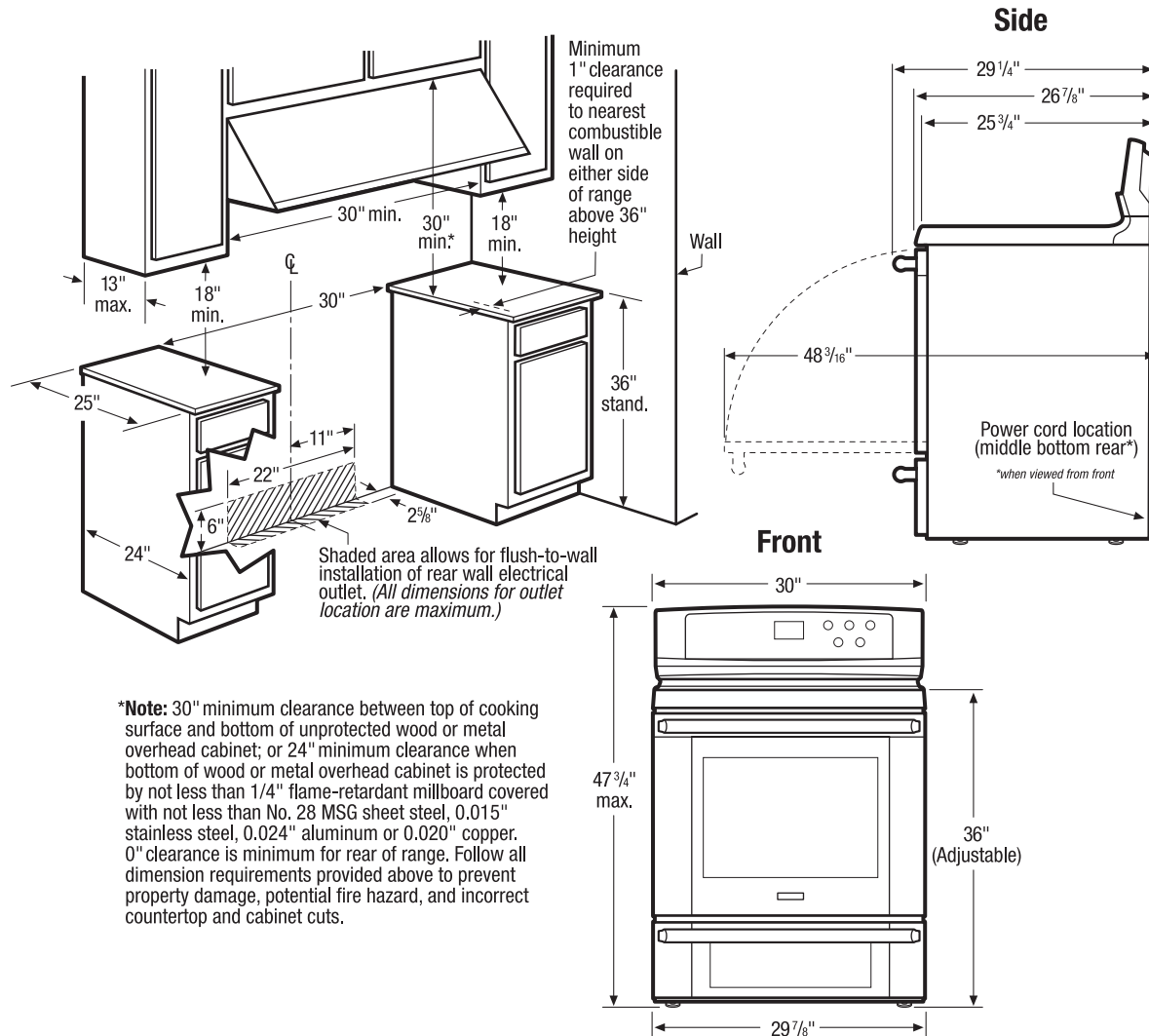
Specifications

| | |
|--|----------------------|
| Color – Stainless Steel | S |
| Oven Cavity Dimensions – | |
| Height | 22-1/4" |
| Width | 24-3/8" |
| Depth | 19-1/8" |
| Product Dimensions – | |
| Height | 47-3/4" |
| Width | 29-7/8" |
| Depth (to Center of Arc Including Rear Extrusion) (with 90° Door Open Including Rear Extrusion) | 26-7/8" 48-13/16" |
| Power Cord Location | Right Bottom Rear |
| Voltage Rating | 240V / 60 Hz / 50A |
| Connected Load (kW Rating) @ 240/208 Volts | 15.0/11.5 |
| Minimum Circuit Required (Amps) | 40 |
| Shipping Weight (Approx.) | 260 Lbs. |

NOTE: Always consult local and national electric codes. Refer to Product Installation Guide for detailed installation instructions on the web at electroluxappliances.com. Specifications subject to change.

Electric Freestanding Range

EI30EF35J S



30" Electric Freestanding Range Specifications

- Product Weight – 240 Lbs.
- Single phase 3- or 4-wire cable, 120 / 240 or 120 / 208 Volt, 60 Hertz, fused on both sides of line with ground.
- Connected Load (kW Rating) @ 240 / 208 Volts = 15.0 / 11.5 kW
- Amps @ 240 / 208 Volts = 40 Amps
- Recommended Circuit Breaker – 40 Amps
- Always consult local and national electric codes.
- Make sure wall coverings around range can withstand heat generated by range.
- Floor beneath range MUST be solid and level.
- Overhead cabinetry should not exceed a 13" maximum depth.
- Absolute minimum horizontal distance between overhead cabinets installed to either side of appliance must be no less than maximum width of appliance.
- Range can be installed flush to wall with 0" minimum rear clearance.
- Minimum 1" clearance required from edge of rangetop to nearest combustible wall on either side of range above 36" height.

- Allow 30" minimum clearance between top of cooking surface and bottom of unprotected wood or metal overhead cabinet; or 24" minimum clearance when bottom of wood or metal overhead cabinet is protected by not less than 1/4" flame retardant millboard covered with not less than No. 28 MSG sheet steel, 0.015" stainless steel, 0.024" aluminum or 0.020" copper.
- To reduce risk of fire when using overhead cabinetry, install range hood that projects horizontally a recommended minimum of 5" beyond bottom of cabinets.
- Follow all dimension requirements provided to prevent property damage, potential fire hazard, and incorrect countertop and cabinet cuts.

Note: For planning purposes only. Refer to Product Installation Guide on the web at electroluxappliances.com for detailed instructions.

Optional Accessories

- Grill / Griddle – (PN # 318251611).

Electrolux Major Appliances, N.A.

USA • 10200 David Taylor Drive • Charlotte, NC 28262 • 1-877-4electrolux (1-877-435-3287) • electroluxappliances.com
CANADA • 5855 Terry Fox Way • Mississauga, ON L5V 3E4 • 1-800-265-8352 • electroluxappliances.ca

EI30EF35J 02/13

© 2013 Electrolux Home Products, Inc.



High standards of quality at Electrolux Home Products, Inc. mean we are constantly working to improve our products. We reserve the right to change specifications or discontinue models without notice.

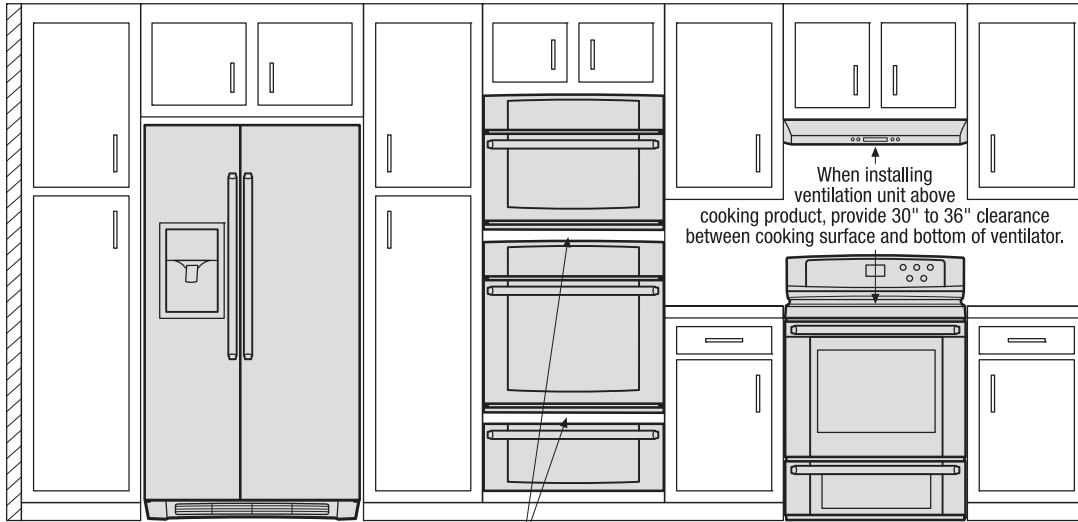
General Installation Guidelines

For Installation with Side-by-Side Refrigerator



Use these dimensions and clearance instructions for planning purposes only. For detailed installation instructions, refer to installation guide, packed with product, or on the web at electroluxappliances.com.

Front

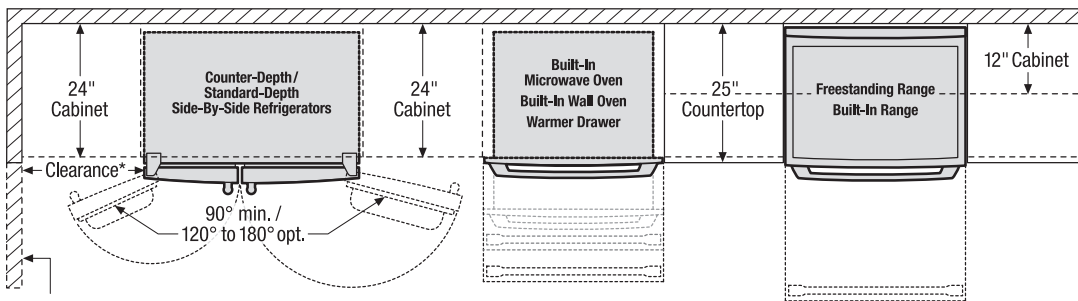


When installing built-in cooking appliances in combination, 2"-high minimum visible gap between appliance faceplates required.

Clearance information for cooking appliances, provided in specific product's installation guide.

When installing ventilation unit above cooking product, provide 30" to 36" clearance between cooking surface and bottom of ventilator.

Top

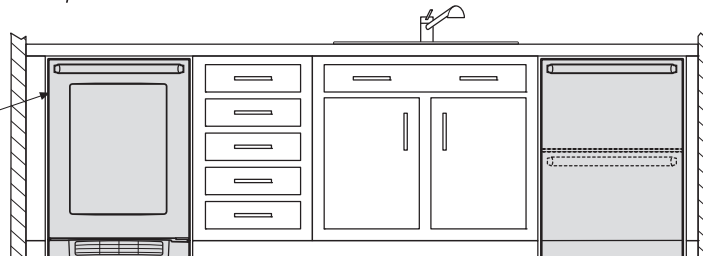


*When installing side-by-side refrigerator adjacent to wall, cabinet or another appliance that extends beyond front edge of unit, 20" minimum clearance recommended to allow for optimum 120° to 180° door swing, providing complete drawer/crisper access and removal. (Absolute 4-1/2" minimum clearance will ONLY allow for 90° door swing which will provide limited drawer/crisper access with restricted removal.)

When installing appliance with sliding drawer or drop-down door directly across from obstructions, provide sufficient clearance for drawer extension or door swing.

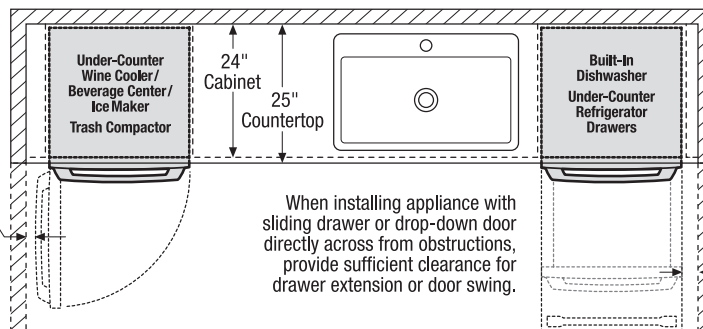
Front

To ensure optimum performance, avoid installing refrigeration appliances in direct sunlight or near heat source.



Top

When installing appliance with side-swing door adjacent to wall, cabinet, or other obstruction that extends beyond front edge of appliance, door swing and handle clearance must be sufficient to allow access to appliance interior.



When installing appliance with sliding drawer or drop-down door directly across from obstructions, provide sufficient clearance for drawer extension or door swing.

When installing appliance with sliding drawer or drop-down door adjacent to wall, cabinet, or other obstruction that extends beyond front edge of appliance, allow 2" minimum clearance between drawer or door and obstruction.

Electrolux Major Appliances, N.A.

USA • 10200 David Taylor Drive • Charlotte, NC 28262 • 1-877-4electrolux (1-877-435-3287) • electroluxappliances.com
 CANADA • 5855 Terry Fox Way • Mississauga, ON L5V 3E4 • 1-800-265-8352 • electroluxappliances.ca

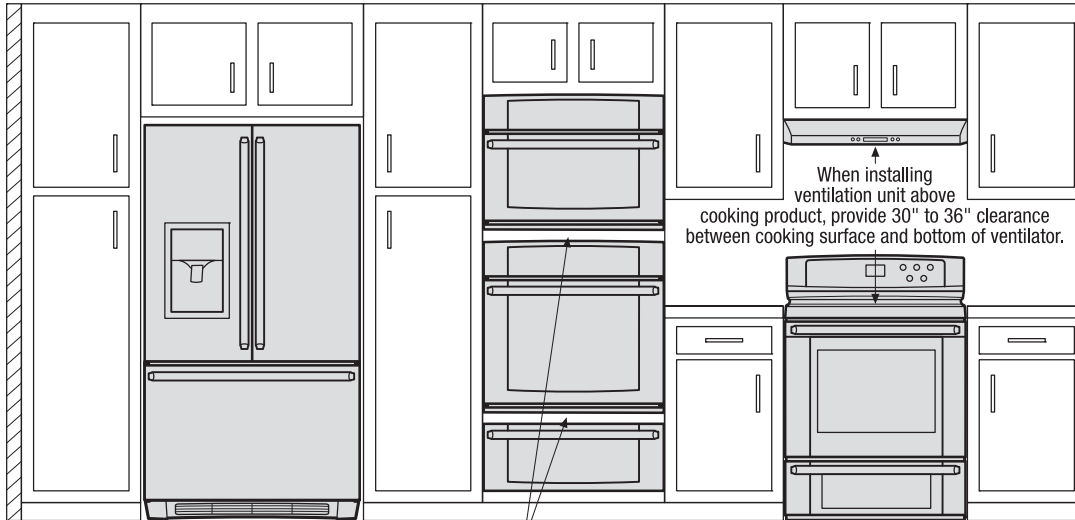
General Installation Guidelines

For Installation with French Door Refrigerator



Use these dimensions and clearance instructions for planning purposes only. For detailed installation instructions, refer to installation guide, packed with product, or on the web at electroluxappliances.com.

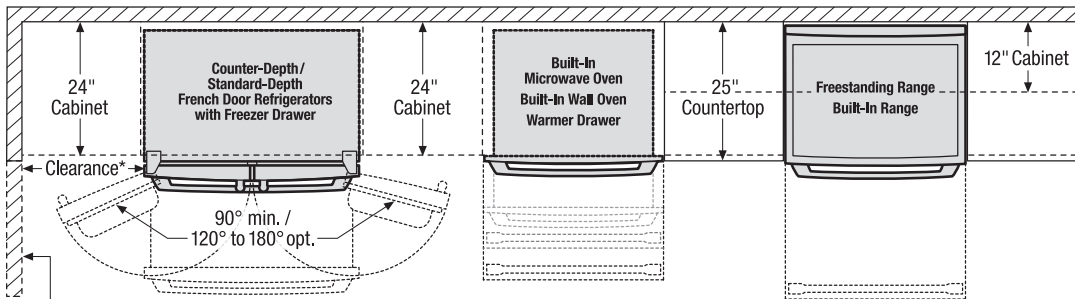
Front



When installing built-in cooking appliances in combination, 2"-high minimum visible gap between appliance faceplates required.

Clearance information for cooking appliances, provided in specific product's installation guide.

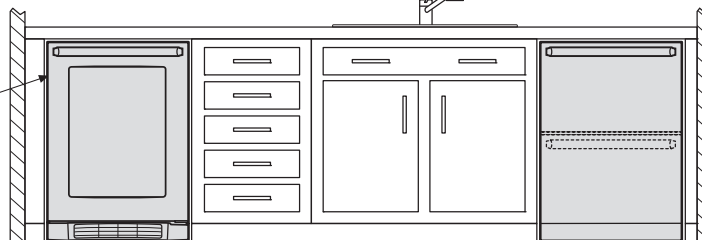
Top



*When installing a French door refrigerator adjacent to wall, cabinet or another appliance that extends beyond front edge of unit, 20" minimum clearance recommended to allow for optimum 120° to 180° door swing, providing complete drawer / crispener access and removal. (Absolute 4-1/2" minimum clearance will ONLY allow for 90° door swing which will provide limited drawer / crispener access with restricted removal.)

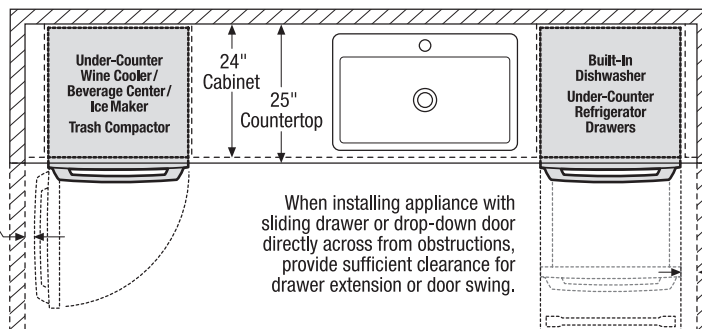
When installing appliance with sliding drawer or drop-down door directly across from obstructions, provide sufficient clearance for drawer extension or door swing.

Front



To ensure optimum performance, avoid installing refrigeration appliances in direct sunlight or near heat source.

Top



When installing appliance with side-swing door adjacent to wall, cabinet, or other obstruction that extends beyond front edge of appliance, door swing and handle clearance must be sufficient to allow access to appliance interior.

When installing appliance with sliding drawer or drop-down door directly across from obstructions, provide sufficient clearance for drawer extension or door swing.

When installing appliance with sliding drawer or drop-down door adjacent to wall, cabinet, or other obstruction that extends beyond front edge of appliance, allow 2" minimum clearance between drawer or door and obstruction.

Electrolux Major Appliances, N.A.

USA • 10200 David Taylor Drive • Charlotte, NC 28262 • 1-877-4electrolux (1-877-435-3287) • electroluxappliances.com
 CANADA • 5855 Terry Fox Way • Mississauga, ON L5V 3E4 • 1-800-265-8352 • electroluxappliances.ca

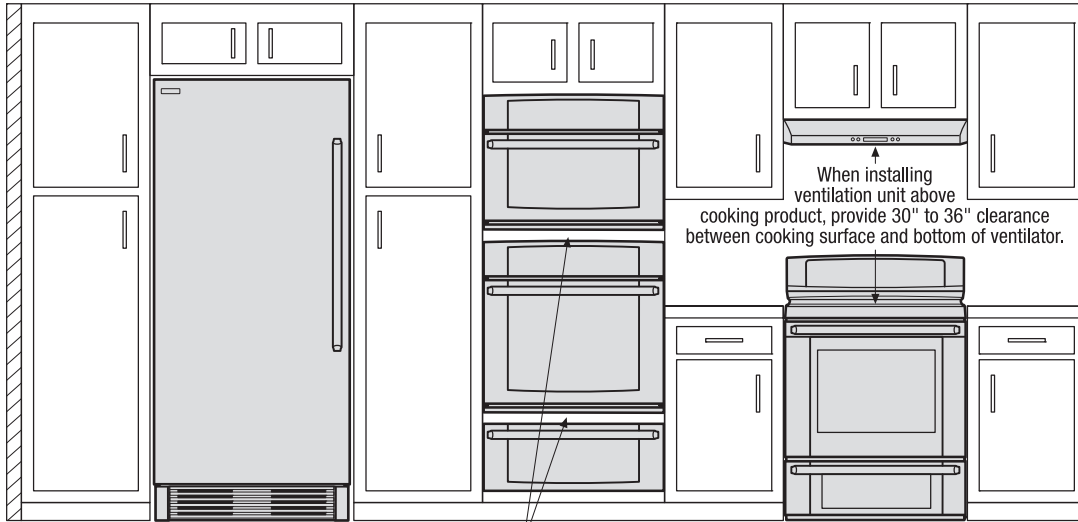
General Installation Guidelines

For Installation with All Refrigerator or All Freezer

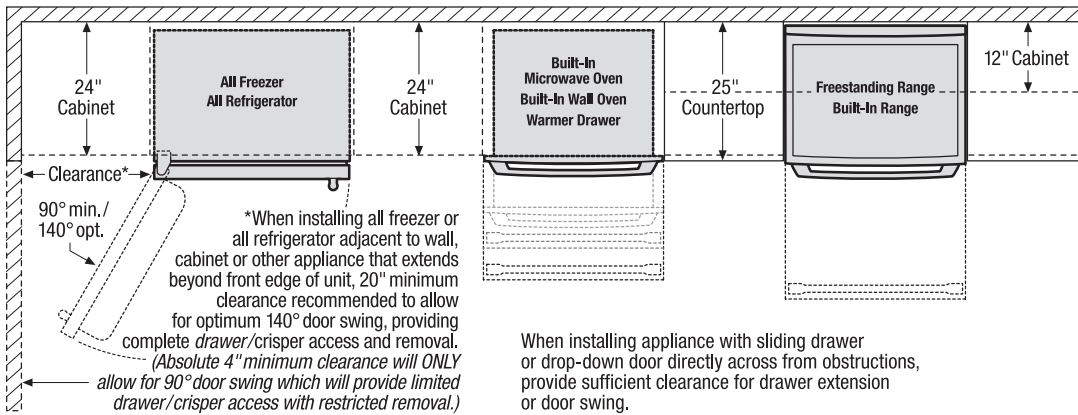


Use these dimensions and clearance instructions for planning purposes only. For detailed installation instructions, refer to installation guide, packed with product, or on the web at electroluxappliances.com.

Front

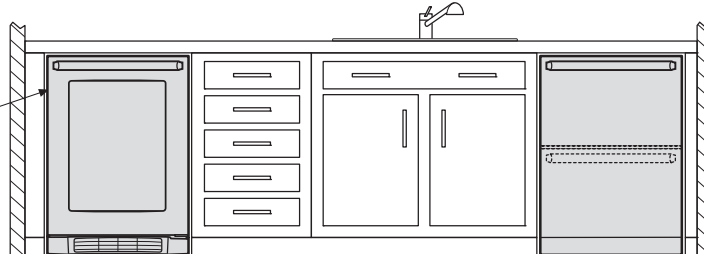


Top



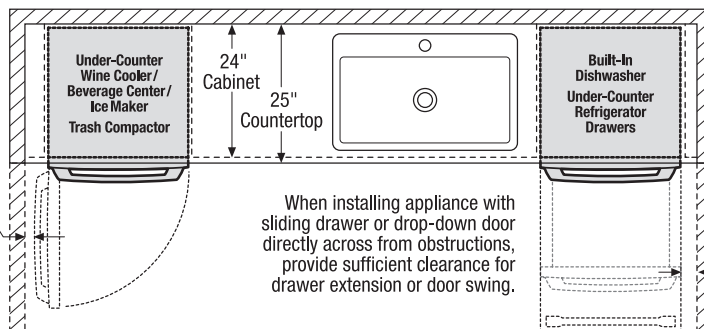
Front

To ensure optimum performance, avoid installing refrigeration appliances in direct sunlight or near heat source.



Top

When installing appliance with side-swing door adjacent to wall, cabinet, or other obstruction that extends beyond front edge of appliance, door swing and handle clearance must be sufficient to allow access to appliance interior.



Electrolux Major Appliances, N.A.

USA • 10200 David Taylor Drive • Charlotte, NC 28262 • 1-877-4electrolux (1-877-435-3287) • electroluxappliances.com
CANADA • 5855 Terry Fox Way • Mississauga, ON L5V 3E4 • 1-800-265-8352 • electroluxappliances.ca