

# Installation Instructions

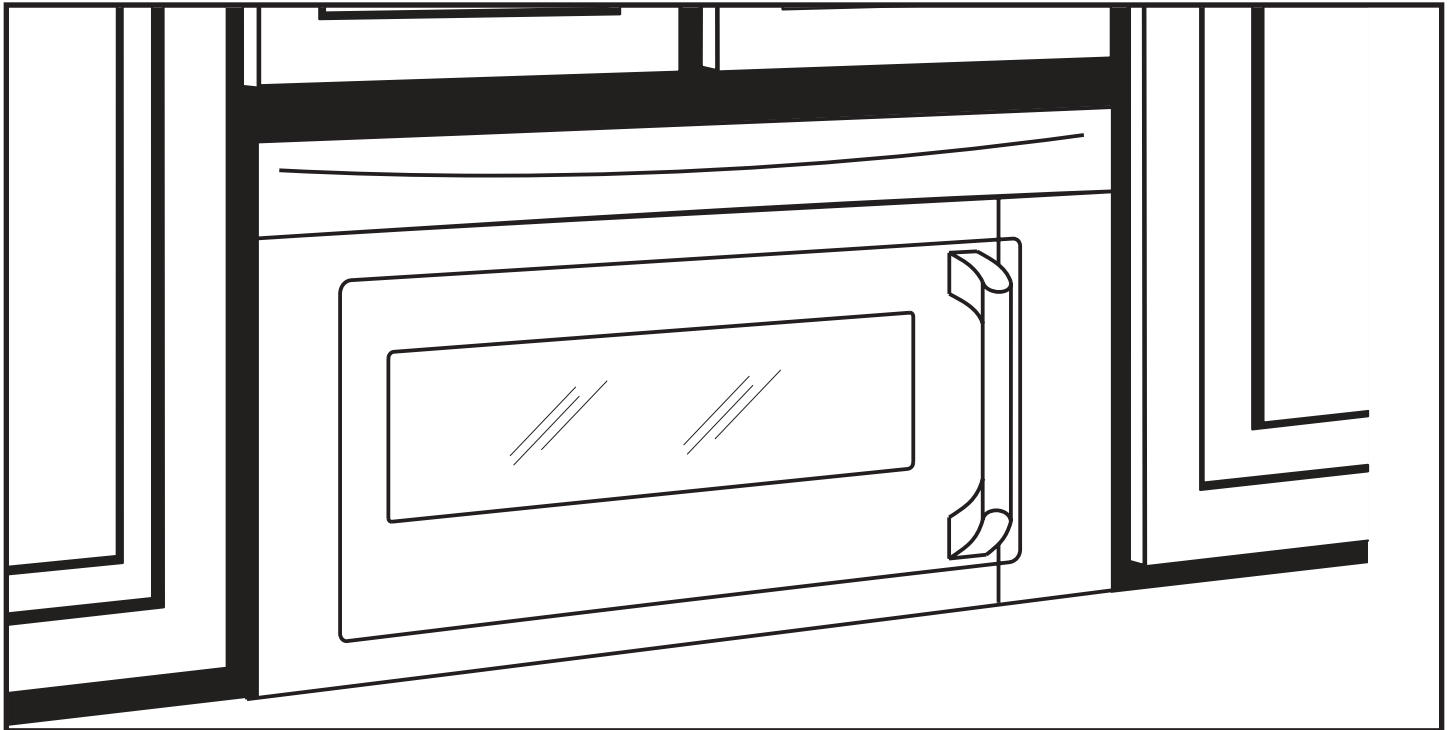
# Over the Range Microwave Oven

Questions? Call 1-877-435-3287(US) or Visit our Website at: <http://www.electroluxappliances.com>  
1-800-265-8352(Canada)

## BEFORE YOU BEGIN

Read these instructions completely and carefully.

- **IMPORTANT** – Save these instructions for local inspector's use.
- **IMPORTANT** – Observe all governing codes and ordinances.
- **Note to Installer** – Be sure to leave these instructions with the Consumer.
- **Note to Consumer** – Keep these instructions for future reference.
- **Skill level** – Installation of this appliance requires basic mechanical and electrical skills.
- Proper installation is the responsibility of the installer.
- Product failure due to improper installation is not covered under the Warranty.



READ CAREFULLY.  
KEEP THESE INSTRUCTIONS.

p/n 316902904

April 2012

# Installation Instructions

## CONTENTS

### General information

<b>Important Safety Instructions</b> .....	3
<b>Electrical Requirements</b> .....	3
<b>Damage – Shipment/Installation</b> .....	4
<b>Parts Included</b> .....	4
<b>Tools You Will Need</b> .....	5
<b>Mounting Space</b> .....	5

### Step-by-step installation guide

<b>Placement of The Mounting Plate</b> .....	6–8
Removing the Mounting Plate .....	6
Finding the Wall Studs .....	6
Determining Wall Plate Location .....	7
Aligning the Wall Plate .....	8
<b>Installation Types</b> .....	9–22
<b>Hood Exhaust</b> .....	10–11
<b>A</b> Outside Top Exhaust .....	12–15
Attach Mounting Plate to Wall .....	12
Preparation of Top Cabinet .....	13
Adapting Microwave Blower for Outside top Exhaust .....	13–14
Checking for Proper Damper Operation.....	14
Mount the Microwave Oven .....	14–15
Adjust the Exhaust Adaptor .....	15
Connecting Ductwork.....	15
<b>B</b> Outside Back Exhaust .....	16–19
Preparing Rear Wall for Outside Back Exhaust.....	16
Remove Blower Plate .....	16
Attach Mounting Plate to Wall .....	17
Preparation of Top Cabinet .....	17

Adapting Microwave Blower for Outside Back Exhaust.....	17–18
--	-------

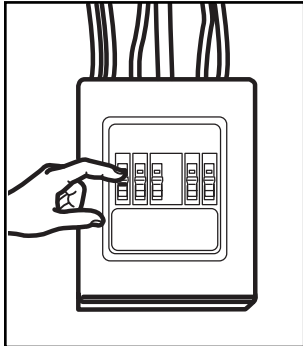
Mount the Microwave Oven .....	19
--------------------------------	----

<b>C</b> Recirculating .....	20–22
Attach Mounting Plate to Wall .....	20
Preparation of Top Cabinet .....	20
Check Blower Plate .....	21
Mount the Microwave Oven .....	21–22
Installing or Change the Charcoal Filter .....	22
<b>Before You Use Your Microwave</b> .....	23
<b>Template Information</b> .....	24

# Installation Instructions

## IMPORTANT SAFETY INSTRUCTIONS

This product requires a three-prong grounded outlet. The installer must perform a ground continuity check on the power outlet box before beginning the installation to insure that the outlet box is properly grounded. If not properly grounded, or if the outlet box does not meet electrical requirements noted (under ELECTRICAL REQUIREMENTS), a qualified electrician should be employed to correct any deficiencies.



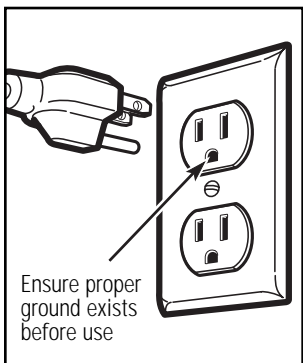
**CAUTION:** For personal safety, remove house fuse or open circuit breaker before beginning installation to avoid severe or fatal shock injury.

**CAUTION:** For personal safety, the mounting surface must be capable of supporting the cabinet load, in addition to the added weight of this 63–85 pound (28.5–38.5 kg) product, plus additional oven loads of up to 50 pounds (22.7 kg) or a total weight of 113–135 pounds (51.3–61.2 kg).

**CAUTION:** For personal safety, this product cannot be installed in cabinet arrangements such as an island or a peninsula. It must be mounted to BOTH a top cabinet AND a wall.

**NOTE:** For easier installation and personal safety, it is recommended that two people install this product.

**IMPORTANT – PLEASE READ CAREFULLY. FOR PERSONAL SAFETY, THIS APPLIANCE MUST BE PROPERLY GROUNDED TO AVOID SEVERE OR FATAL SHOCK.**



The power cord of this appliance is equipped with a three-prong (grounding) plug which mates with a standard three-prong (grounding) wall receptacle to minimize the possibility of electric shock hazard from this appliance.

**You should have the wall receptacle and circuit checked by a qualified electrician to make sure the receptacle is properly grounded.**

**Where a standard two-prong wall receptacle is encountered, it is very important to have it replaced with a properly grounded three-prong wall receptacle, installed by a qualified electrician.**

**DO NOT, UNDER ANY CIRCUMSTANCES, CUT, DEFORM OR REMOVE ANY OF THE PRONGS FROM THE POWER CORD. DO NOT USE WITH AN EXTENSION CORD.**

## ELECTRICAL REQUIREMENTS

Product rating is 120 volts AC, 60 Hertz, 15 amps and 1.6 kilowatts. This product must be connected to a supply circuit of the proper voltage and frequency. Wire size must conform to the requirements of the National Electrical Code or the prevailing local code for this kilowatt rating. The power supply cord and plug should be brought to a separate 15- to 20- ampere branch circuit single grounded outlet. The outlet box should be located in the cabinet above the microwave oven. The outlet box and supply circuit should be installed by a qualified electrician and conform to the National Electrical Code or the prevailing local code.


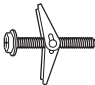


# Installation Instructions

## DAMAGE—SHIPMENT/ INSTALLATION

- If the unit is damaged in shipment, return the unit to the store in which it was bought for repair or replacement.
- If the unit is damaged by the customer, repair or replacement is the responsibility of the customer.
- If the unit is damaged by the installer (if other than the customer), repair or replacement must be made by arrangement between customer and installer.

## PARTS INCLUDED

### HARDWARE PACKET



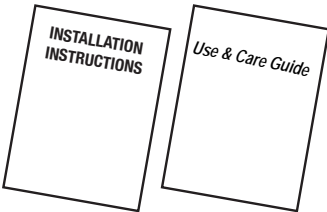
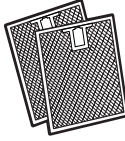
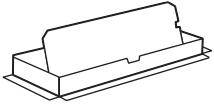


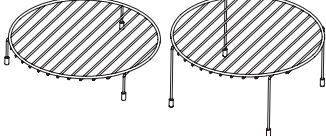
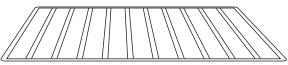
PART		QUANTITY
	Wood Screws (1/4" x 2")	2
	Toggle Bolts (and wing nuts) (3/16" x 3")	2
	Self-Aligning Machine Screws (1/4"-28 x 3 1/4")	3
	Nylon Grommet (for metal cabinets)	1

You will find the installation hardware contained in a packet with the unit. Check to make sure you have all these parts.

**NOTE:** Some extra parts are included.

## PARTS INCLUDED (CONT.)

### ADDITIONAL PARTS

PART		QUANTITY
	Top Cabinet Template	1
	Rear Wall Template	1
	Installation Instructions	1
	Use & Care Guide	1
	Separately Packed Grease Filters	2
	Exhaust adaptor	1
	Glass Tray	1
	Turntable Ring	1
	wire rack	2
	Shelf	1

# Installation Instructions

## TOOLS YOU WILL NEED



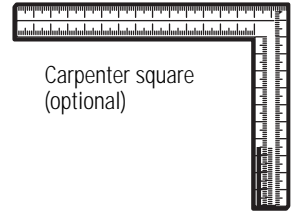
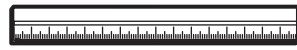
# 1 Phillips screwdriver



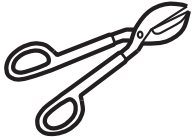
Pencil



Ruler or tape measure and straight edge



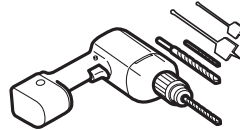
Carpenter square (optional)



Tin snips (for cutting damper, if required)



Scissors (to cut template, if necessary)



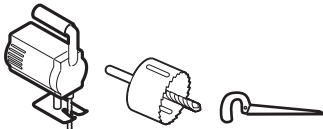
Electric drill with  $\frac{3}{16}$ " ,  $\frac{1}{2}$ " and  $\frac{5}{8}$ " drill bits



Filler blocks or scrap wood pieces, if needed for top cabinet spacing (used on recessed bottom cabinet installations only)



Gloves



Saw (saber, hole or keyhole)



Stud finder or Hammer (optional)



Safety goggles

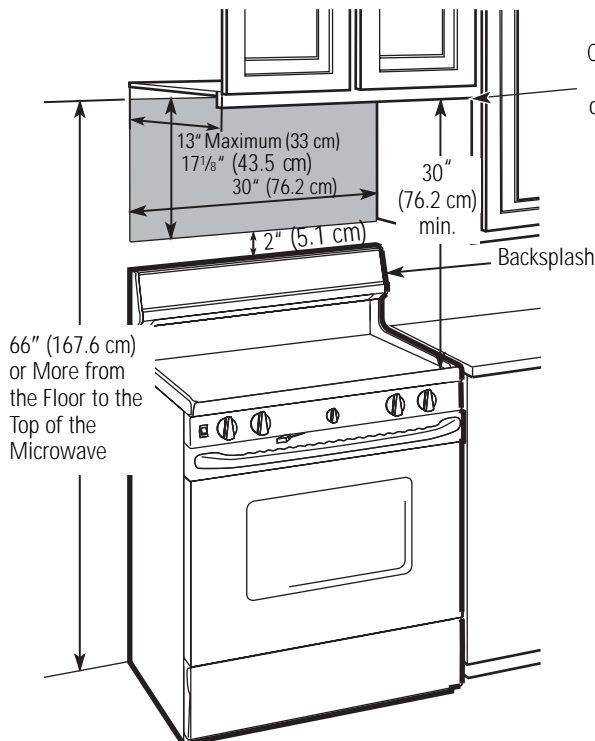


Level



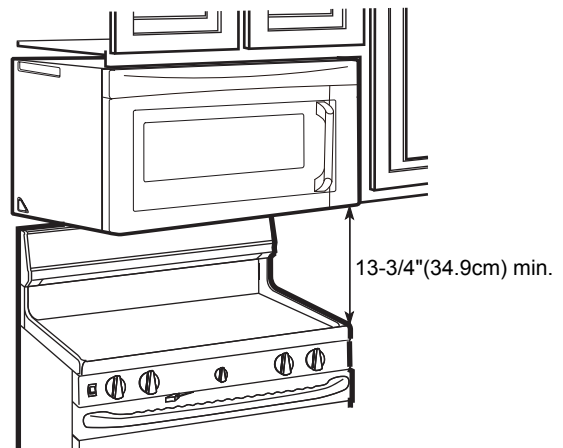
Duct and masking tape

## MOUNTING SPACE



### NOTES:

- The space between the cabinets must be 30" (76.2 cm) wide and free of obstructions.
- If you are going to vent your microwave oven to the outside, see Hood Exhaust Section for exhaust duct preparation.
- **When installing the microwave oven beneath smooth, flat cabinets, be careful to follow the instructions on the top cabinet template for power cord clearance.**

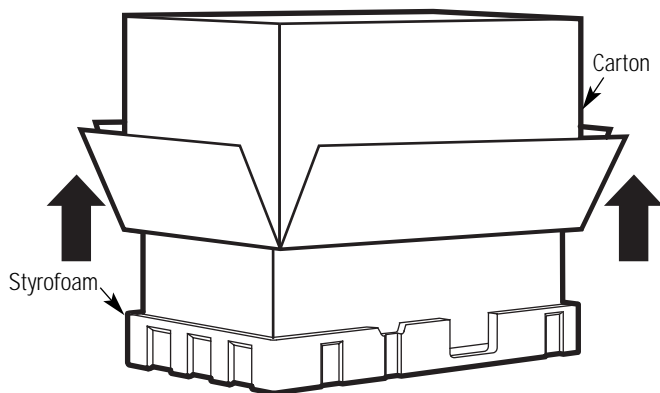


# Installation Instructions

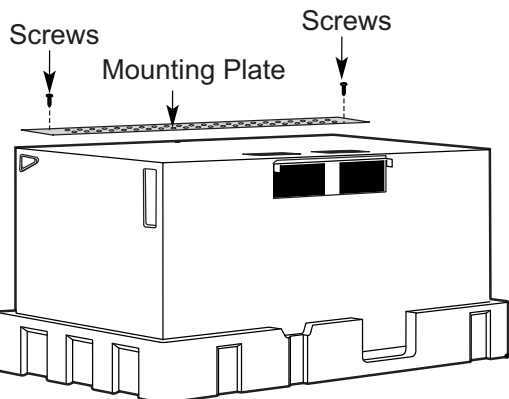
## 1 PLACEMENT OF THE MOUNTING PLATE

### A. REMOVING THE MICROWAVE OVEN FROM THE CARTON/ REMOVING THE MOUNTING PLATE

- 1 Remove the installation instructions, filters, glass tray and the small hardware bag. **Do not remove the Styrofoam protecting the front of the oven.**
- 2 Fold back all 4 carton flaps fully against carton sides. Then carefully roll the oven and carton over onto the top side. The oven should be resting in the Styrofoam.

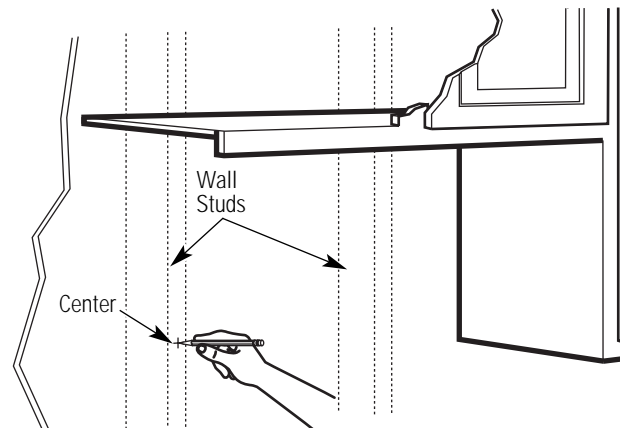


- 3 Pull the carton up and off the oven.
- 4 Cut the middle of the outer protective plastic bag to remove the mounting plate



- 5 Remove the screws from the mounting plate. This plate will be used as the rear wall template and for mounting. Reinstall the screws into the holes where they were removed.

### B. FINDING THE WALL STUDS



- 1 Find the studs, using one of the following methods:

A. Stud finder – a magnetic device which locates nails.

OR

B. Use a hammer to tap lightly across the mounting surface to find a solid sound. This will indicate a stud location.

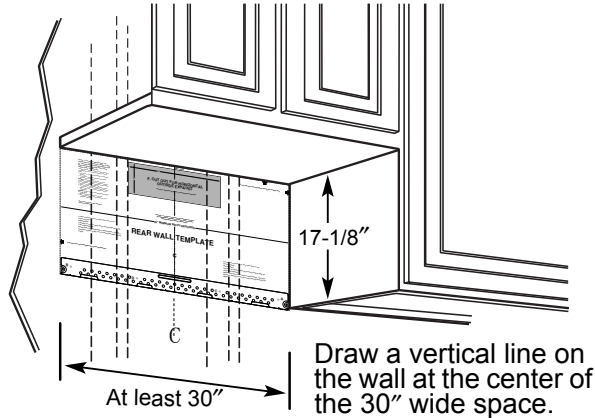
- 2 After locating the stud(s), find the center by probing the wall with a small nail to find the edges of the stud. Then place a mark halfway between the edges. The center of any adjacent studs should be 16" (40.6 cm) or 24" (61 cm) from this mark.
- 3 Draw a line down the center of the studs.

**THE MICROWAVE MUST BE CONNECTED TO AT LEAST ONE WALL STUD.**

# Installation Instructions

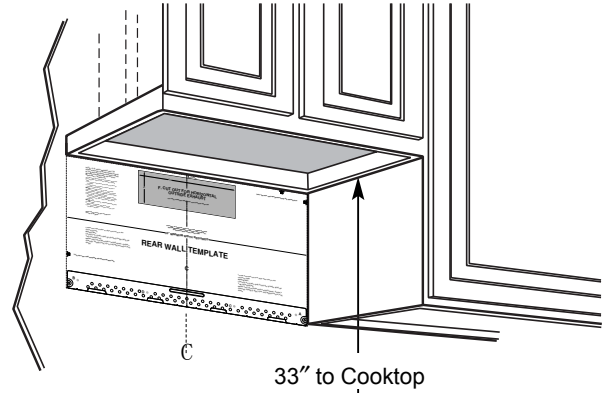
## C. DETERMINING WALL PLATE LOCATION UNDER YOUR CABINET

Plate position—beneath flat bottom cabinet



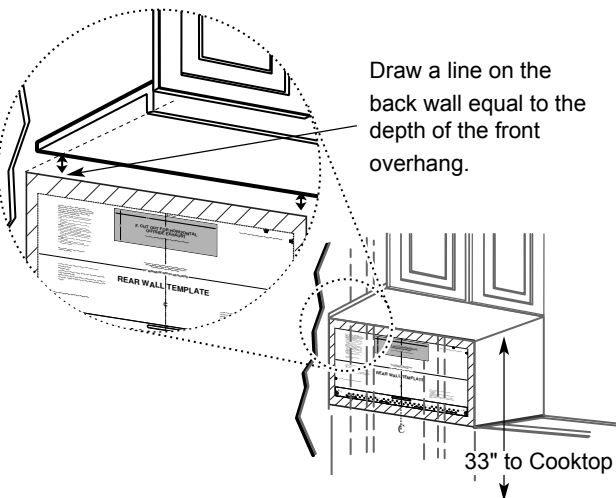
Draw a vertical line on the wall at the center of the 30" wide space. Tape the Rear Wall Template onto the wall matching the centerline and touching the bottom of the cabinet.

Plate position—beneath framed recessed cabinet bottom



Draw a vertical line on the wall at the center of the 30" space. Tape the Rear Wall Template onto the wall matching the centerline and touching the bottom cabinet frame.

Plate position—beneath recessed bottom cabinet with front overhang



Draw a line on the back wall equal to the depth of the front overhang.

Your cabinets may have decorative trim that interferes with the microwave installation. Remove the decorative trim to install the microwave properly and to make it level.

### THE MICROWAVE MUST BE LEVEL.

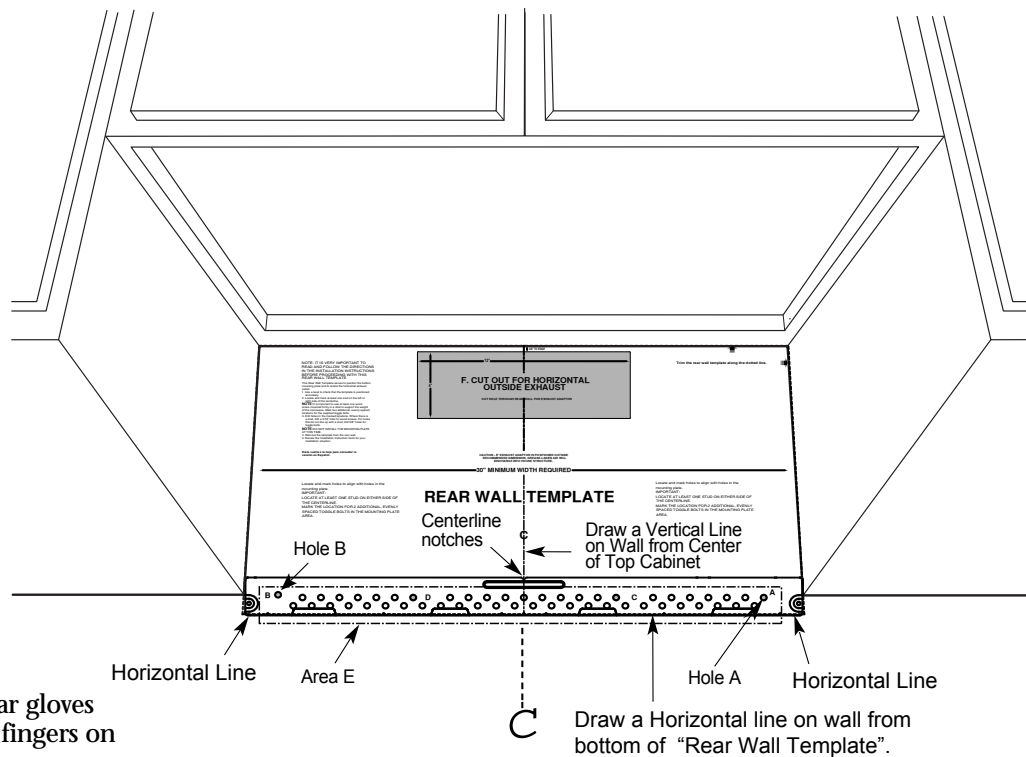
Use a level to make sure the cabinet bottom is level.

If the cabinets have a front overhang only, with no back or side frame, install the mounting plate down the same distance as the front overhang depth. This will keep the microwave level.

- 1 Measure the inside depth of the front overhang.
- 2 Draw a horizontal line on the back wall an equal distance below the cabinet bottom as the inside depth of the front overhang.
- 3 For this type of installation with front overhang only, align the mounting tabs with this horizontal line, not touching the cabinet bottom as described in Step D.

# Installation Instructions

## D. ALIGNING THE WALL PLATE



**CAUTION:** Wear gloves to avoid cutting fingers on sharp edges.

- 1 Draw a Vertical line on the wall at the center of the 30" wide space.
- 2 Draw a Horizontal line on the wall at the bottom of "Rear Wall Template".
- 3 Drill 5/8" holes for toggle bolts on 2 locations (Hole A, Hole B) but if the location of hole is same as that of stud, drill a 3/16" hole for wood screw. In other words, toggle bolt can not be used to the location of stud.

**NOTE: DO NOT MOUNT THE PLATE AT THIS TIME.**

**NOTE:** Holes A and B are inside area E. If both of A and B are not in a stud, find a stud somewhere in area E and draw a forth circle to line up with the stud. It is important to use **at least one wood screw** mounted **firmly in a stud** to support the weight of the microwave. **Set the mounting plate aside.**



# Installation Instructions

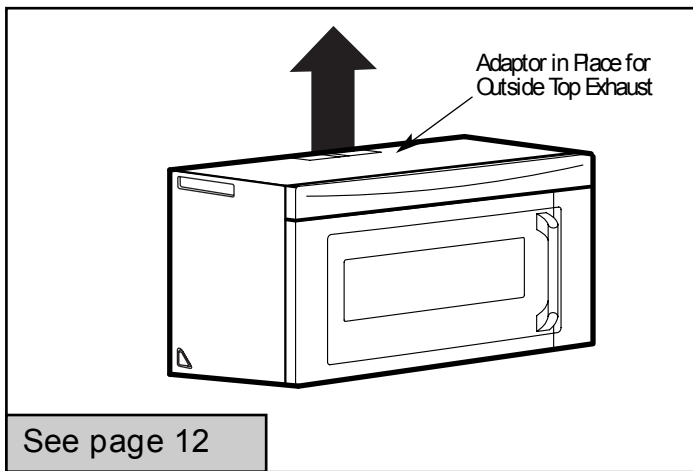
## 2 INSTALLATION TYPES (Choose A, B or C)

This microwave oven is designed for adaptation to the following three types of ventilation:

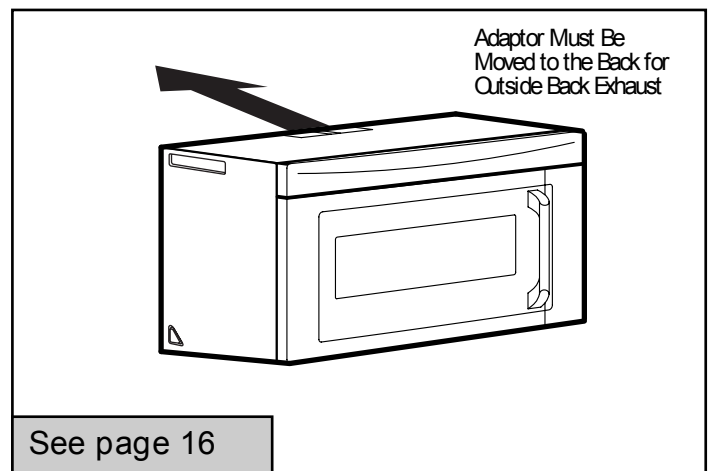
- A. Outside Top Exhaust (Vertical Duct)
- B. Outside Back Exhaust (Horizontal Duct)
- C. Recirculating (Non-Vented Ductless)

NOTE: This microwave is shipped assembled for Recirculating. Select the type of ventilation required for your installation and proceed to that section.

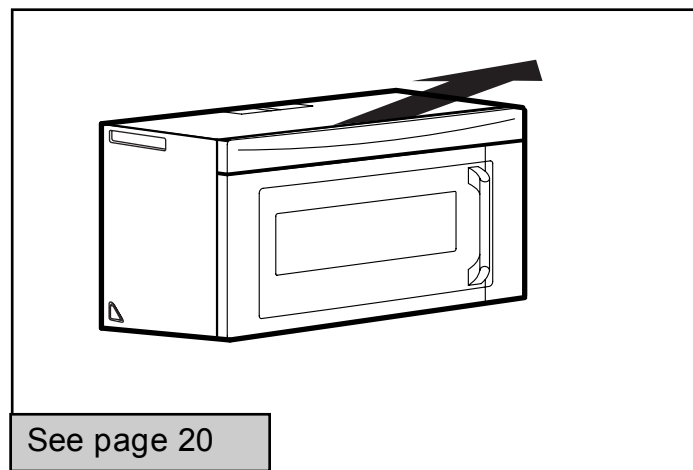
### A OUTSIDE TOP EXHAUST (VERTICAL DUCT)



### B OUTSIDE BACK EXHAUST (HORIZONTAL DUCT)



### C RECIRCULATING (NON-VENTED DUCTLESS)



On models shipped for recirculating exhaust, a disposable charcoal filter is factory installed to help remove smoke and odors.

# Installation Instructions

## INSTALLATION INSTRUCTIONS FOR EXTERNAL EXHAUST DUCTING

**NOTE:** If you need to install ducts, note that the total duct length of 3¼" x 10" (8.2 x 25.4 cm) rectangular or 5" (10.5 cm) diameter/ 6" (15.2 cm) diameter round duct **should not exceed 120 equivalent feet (36.5 m).**

Outside ventilation requires a **EXTERNAL EXHAUST DUCT.** Read the following carefully.

**NOTE:** It is important that venting be installed using the most direct route and with as few elbows as possible. This ensures clear venting of exhaust and helps prevent blockages. **Also, make sure dampers swing freely and nothing is blocking the ducts.**

### Exhaust connection:

The exhaust adaptor has been designed to mate with a standard 3¼" x 10" (8.2 x 25.4 cm) rectangular duct.


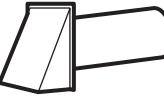


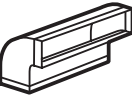
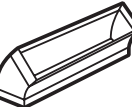


If a round duct is required, a rectangular-to-round transition adaptor must be used.

**A 5"(10.5cm) / 6"(15.2cm) diameter duct is acceptable to use**

### Maximum duct length:

For satisfactory air movement, the total duct length of 3¼" x 10" (8.2 x 25.4 cm) rectangular or 5" (10.5 cm) diameter/ 6" (15.2 cm) diameter round duct **should not exceed 120 equivalent feet (36.5 m).**

**Elbows, transitions, wall and roof caps, etc.,** present additional resistance to airflow and are equivalent to a section of straight duct which is longer than their actual physical size. When calculating the total duct length, add the equivalent lengths of all transitions and adaptors plus the length of all straight duct sections. The chart below shows you how to calculate total equivalent ductwork length using the approximate feet of equivalent length of some typical ducts.

DUCT PIECES	EQUIVALENT LENGTH	x	NUMBER USED	=	EQUIVALENT LENGTH
 Rectangular-to-Round Transition Adaptor*	5 Ft. (1.5 m)	x	( )	=	Ft. or m
 Wall Cap	40 Ft. (12.2 m)	x	( )	=	Ft. or m
 90° Elbow	10 Ft. (3 m)	x	( )	=	Ft. or m
 45° Elbow	5 Ft. (1.5 m)	x	( )	=	Ft. or m
 90° Elbow	25 Ft. (7.6 m)	x	( )	=	Ft. or m
 45° Elbow	5 Ft. (1.5 m)	x	( )	=	Ft. or m
 Roof Cap	24 Ft. (7.3 m)	x	( )	=	Ft. or m
 Straight Duct 6" (15.2 cm) Round or 3¼" x 10" (8.2 x 25.4 cm) Rectangular	1 Ft. (0.3 m)	x	( )	=	Ft. or m
<b>Total Ductwork</b>				<b>=</b>	<b>Ft. or m</b>



**\* IMPORTANT:** If a rectangular-to-round transition adaptor is used, the bottom corners of the damper will have to be cut to fit, using the tin snips, in order to allow free movement of the damper.

Equivalent lengths of duct pieces are based on actual tests and reflect requirements for good venting performance with any vent hood.

# Installation Instructions

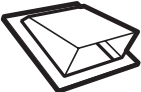


## EXTERNAL EXHAUST DUCTING

**NOTE:** Read these next two pages only if you plan to vent your exhaust to the outside. If you plan to recirculate the air back into the room, proceed to page 20.

### OUTSIDE TOP EXHAUST (EXAMPLE ONLY)

The following chart describes an example of one possible ductwork installation.

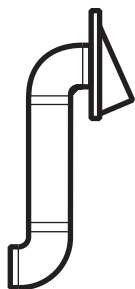





DUCT PIECES		EQUIVALENT LENGTH	x	NUMBER USED	=	EQUIVALENT LENGTH	
	Roof Cap	24 Ft. (7.3 m)	x	(1)	=	24 Ft. (7.3 m)	
	12 Ft. (3.6 m) Straight Duct (6"/15.2 cm Round)	12 Ft. (3.6 m)	x	(1)	=	12 Ft. (3.6 m)	
	Rectangular-to-Round Transition Adaptor*	5 Ft. (1.5 m)	x	(1)	=	5 Ft. (1.5 m)	
Equivalent lengths of duct pieces are based on actual tests and reflect requirements for good venting performance with any vent hood.					<b>Total Length</b>	<b>=</b>	<b>41 Ft. (12.5 m)</b>

\* **IMPORTANT:** If a rectangular-to-round transition adaptor is used, the bottom corners of the damper will have to be cut to fit, using the tin snips, in order to allow free movement of the damper.

### OUTSIDE BACK EXHAUST (EXAMPLE ONLY)

The following chart describes an example of one possible ductwork installation.



DUCT PIECES		EQUIVALENT LENGTH*	x	NUMBER USED	=	EQUIVALENT LENGTH	
	Wall Cap	40 Ft. (12.2 m)	x	(1)	=	40 Ft. (12.2 m)	
	3 Ft. Straight Duct (3 1/4" x 10"/8.2 x 25.4 cm Rectangular)	3 Ft. (0.9 m)	x	(1)	=	3 Ft. (0.9 m)	
	90° Elbow	10 Ft. (3 m)	x	(2)	=	20 Ft. (3 m)	
Equivalent lengths of duct pieces are based on actual tests and reflect requirements for good venting performance with any vent hood.					<b>Total Length</b>	<b>=</b>	<b>63 Ft. (19.2 m)</b>

**NOTE:** For back exhaust, care should be taken to align exhaust with space between studs, or wall should be prepared at the time it is constructed by leaving enough space between the wall studs to accommodate exhaust.

# Installation Instructions

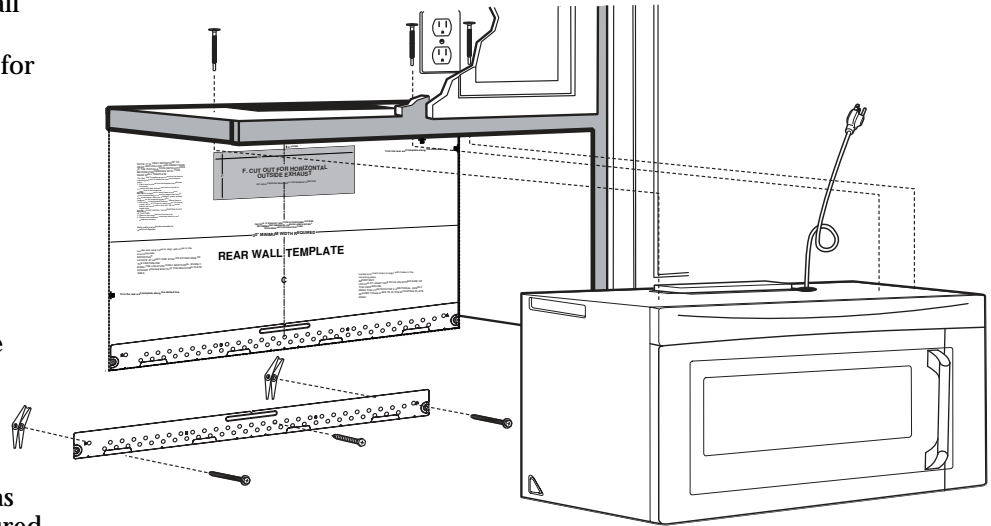
## A OUTSIDE TOP EXHAUST (Vertical Duct)

### INSTALLATION OVERVIEW

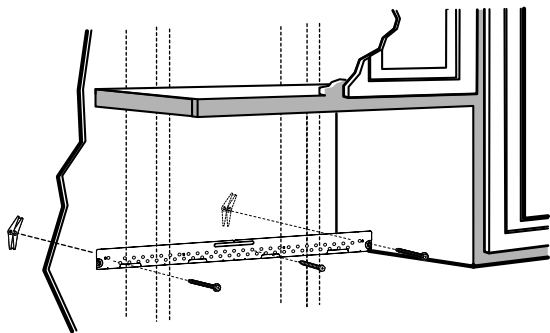
- A1. Attach Mounting Plate to Wall
- A2. Prepare Top Cabinet
- A3. Adapting Microwave Blower for Outside Top Exhaust
- A4. Check Damper Operation
- A5. Mount Microwave Oven
- A6. Adjust Exhaust Adaptor
- A7. Connect Ductwork

#### IMPORTANT NOTES:

- Make sure the screws for the blower motor and blower plate are securely tightened when they are reinstalled. This will help to prevent excessive vibration.
- Make sure the motor wiring has been properly routed and secured, and that the wires are not pinched.



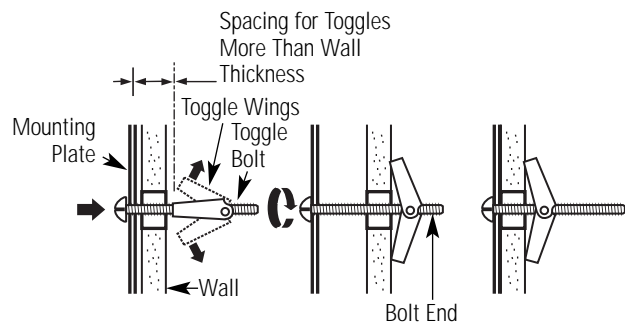
### A1. ATTACH THE MOUNTING PLATE TO THE WALL



Attach the plate to the wall using toggle bolts. At least one wood screw must be used to attach the plate to a wall stud.

- 1 Remove the toggle wings from the bolts.
- 2 Insert the bolts into the mounting plate through the holes designated to go into drywall and reattach the toggle wings to  $\frac{3}{4}$ " (19 mm) onto each bolt.

### To use toggle bolts:



- 3 Place the mounting plate against the wall and insert the toggle wings into the holes in the wall to mount the plate.

**NOTE:** Before tightening toggle bolts and wood screw, make sure the tabs on the mounting plate touch the bottom of the cabinet when pushed flush against the wall and that the plate is properly centered under the cabinet.

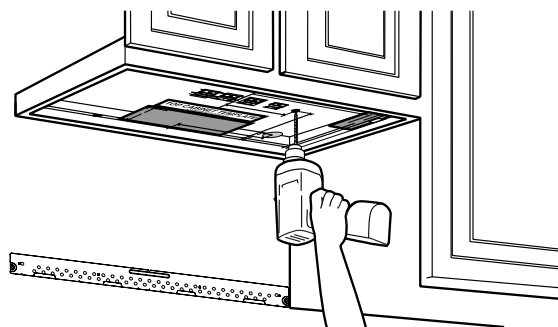
**CAUTION:** Be careful to avoid pinching fingers between the back of the mounting plate and the wall.

- 4 Tighten all bolts. Pull the plate away from the wall to help tighten the bolts.

# Installation Instructions

## A2. USE TOP CABINET TEMPLATE FOR PREPARATION OF TOP CABINET

You need to drill holes for the top support screws, a hole large enough for the power cord to fit through, and a cutout large enough for the exhaust adaptor.

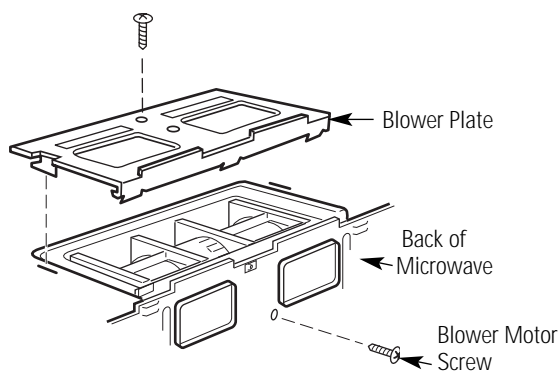


- Read the instructions on the TOP CABINET TEMPLATE.
- Tape it underneath the top cabinet.
- Drill the holes, following the instructions on the TOP CABINET TEMPLATE.

**CAUTION:** Wear safety goggles when drilling holes in the cabinet bottom.

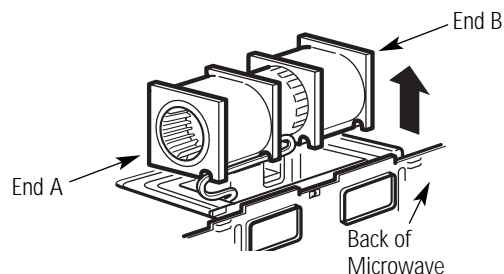
## A3. ADAPTING MICROWAVE BLOWER FOR OUTSIDE TOP EXHAUST

- 1 Place the microwave in its upright position, with the top of the unit facing up.



Remove the screw that holds the blower plate to the microwave. Remove and save the screw holding the blower motor to the microwave.

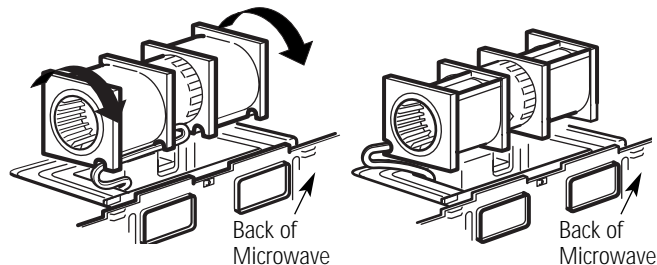
- 2 Carefully pull out the blower unit. The wires will extend far enough to allow you to adjust the blower unit.



- 3 Roll the blower unit 90° so that fan blade openings are facing out the top of the microwave.

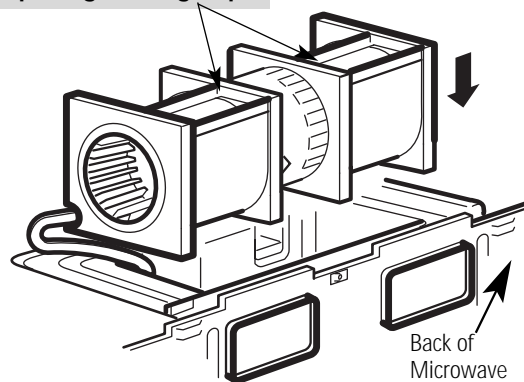
Before Rotation

After Rotation



- 4 Place the blower unit back into the opening.

**AFTER:** Fan Blade Openings Facing Top

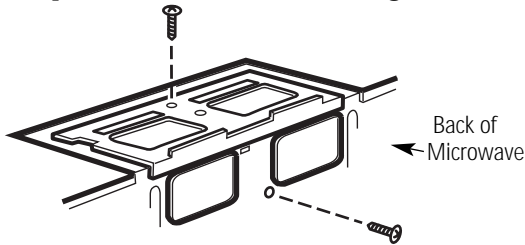


**CAUTION:** Do not pull or stretch the blower unit wiring. Make sure the wires are not pinched, and that they are properly secured.

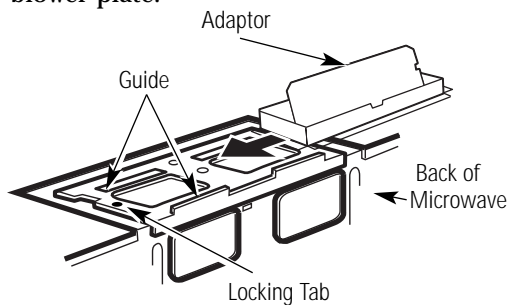
# Installation Instructions

## A3. ADAPTING MICROWAVE BLOWER FOR OUTSIDE TOP EXHAUST

- 5 Secure blower unit to microwave with the screw removed in Step 1. Make sure the screw is tight.
- 6 Replace blower plate with the screw removed in Step 1. Make sure the screw is tight.

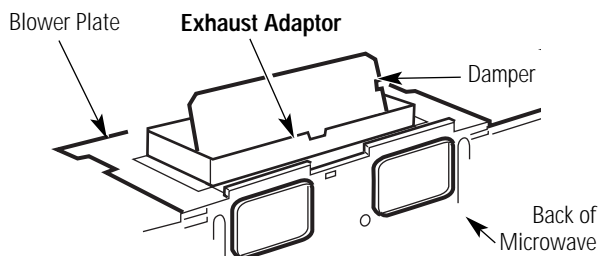


- 7 Attach the exhaust adaptor to the top of the blower plate by sliding it into the guides of the blower plate.



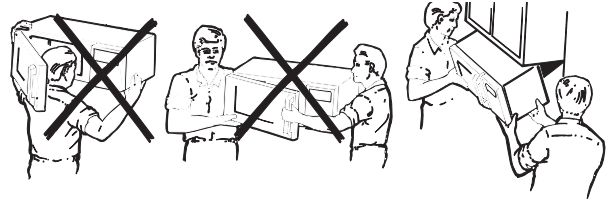
Push in securely until it is in the locking tabs. Take care to assure that the damper hinge is installed so that the damper swings freely.

## A4. CHECK FOR PROPER DAMPER OPERATION



- Make sure tape securing damper is removed and damper pivots easily before mounting microwave.
- You will need to make adjustments to assure proper alignment with your house exhaust duct after the microwave is installed.

## A5. MOUNT THE MICROWAVE OVEN



FOR EASIER INSTALLATION AND PERSONAL SAFETY, WE RECOMMEND THAT **TWO PEOPLE** INSTALL THIS MICROWAVE OVEN.

**IMPORTANT: Do not grip or use handle during installation.**

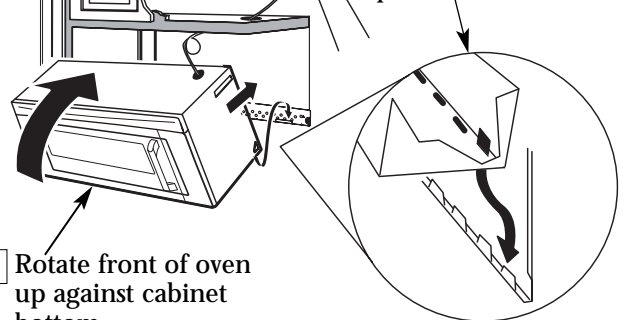
**NOTE:** If your cabinet is metal, use the nylon grommet around the power cord hole to prevent cutting of the cord.

**NOTE:** We recommend using filler blocks if the cabinet front hangs below the cabinet bottom shelf.

**IMPORTANT: If filler blocks are not used, case damage may occur from overtightening screws.**

**NOTE:** When mounting the microwave oven, thread power cord through hole in bottom of top cabinet. Keep it tight throughout Steps 1-3. Do not pinch cord or lift oven by pulling cord.

- 1 Lift microwave, tilt it forward, and hook slots at back bottom edge onto four lower tabs of mounting plate.

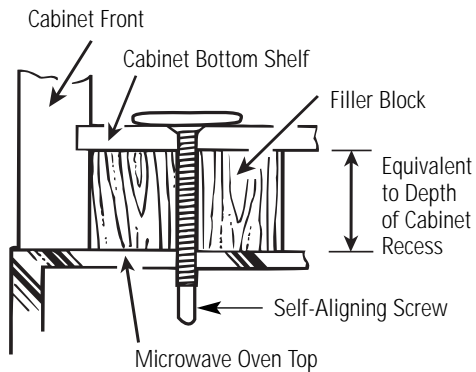


- 2 Rotate front of oven up against cabinet bottom.

- 3 Insert a self-aligning screw through top center cabinet hole. Temporarily secure the oven by turning the screw at least **two full turns** after the threads have engaged. (It will be completely tightened later.) **Be sure to keep power cord tight. Be careful not to pinch the cord, especially when mounting flush to bottom of cabinet.**

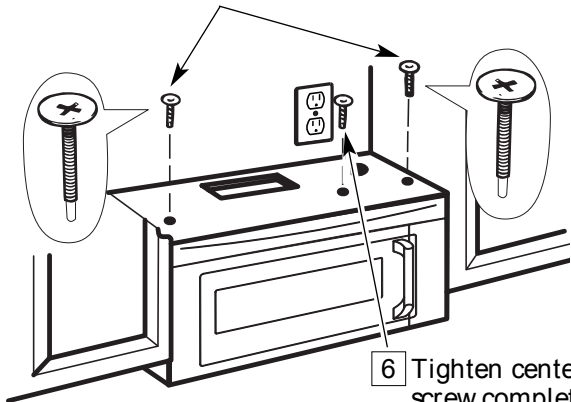
# Installation Instructions

## A5. MOUNT THE MICROWAVE OVEN (cont.)



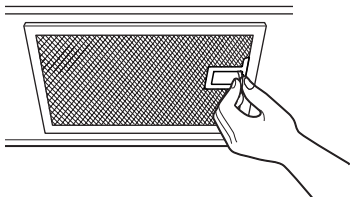
4 Attach the microwave oven to the top cabinet.

5 Insert 2 self-aligning screws through outer top cabinet holes. Turn two full turns on each screw.



6 Tighten center screw completely.

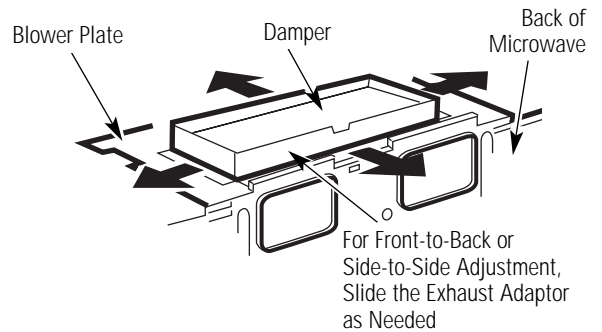
7 Tighten the outer two screws to the top of the microwave oven. (While tightening screws, hold the microwave oven in place against the wall and the top cabinet.)



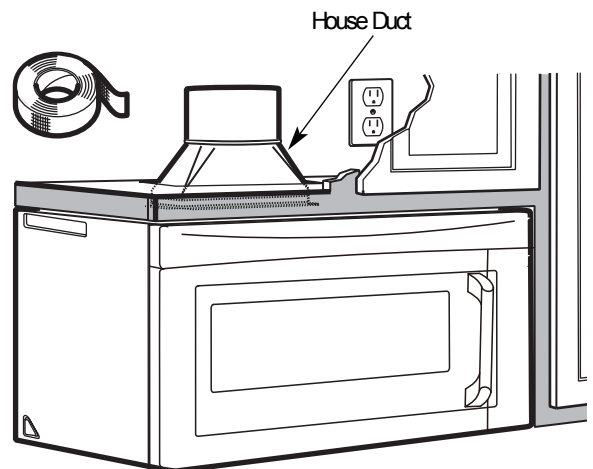
8 Install grease filters. See the Owner's Manual packed with the microwave.

## A6. ADJUST THE EXHAUST ADAPTOR

Open the top cabinet and adjust the exhaust adaptor to connect to the house duct.



## A7. CONNECTING DUCTWORK



1 Extend the house duct down to connect to the exhaust adaptor.

2 Seal exhaust duct joints using furnace duct tape for high temperature applications.



# Installation Instructions

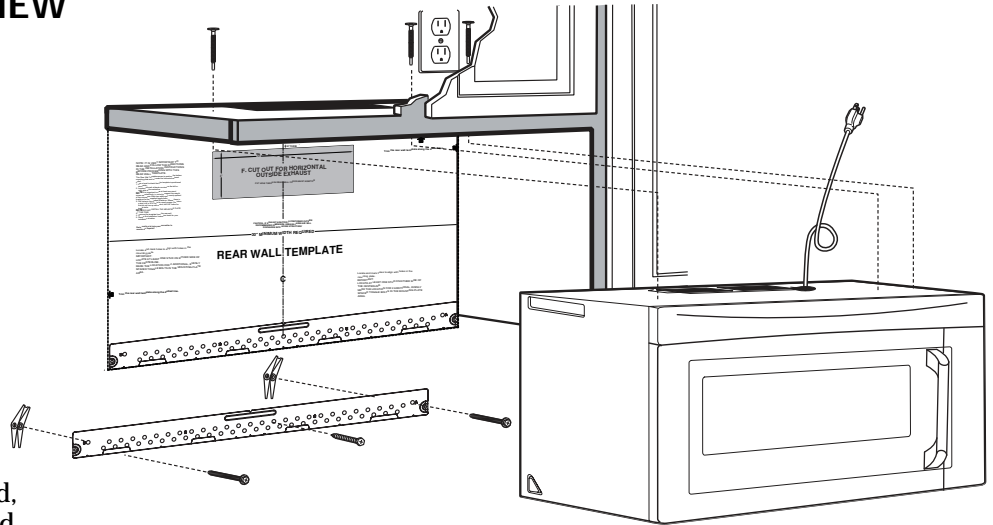
## B OUTSIDE BACK EXHAUST (Horizontal Duct)

### INSTALLATION OVERVIEW

- B1.** Prepare Rear Wall
- B2.** Remove Blower Plate
- B3.** Attach Mounting Plate to Wall
- B4.** Prepare Top Cabinet
- B5.** Adjust Blower
- B6.** Mount the Microwave Oven

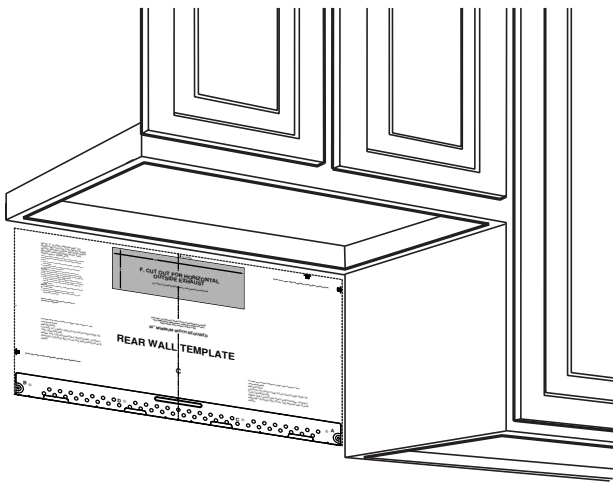
#### IMPORTANT NOTES:

- Make sure the screws for the blower motor and blower plate are securely tightened when they are reinstalled. This will help to prevent excessive vibration.
- Make sure the motor wiring has been properly routed and secured, and that the wires are not pinched.



### B1. PREPARING THE REAR WALL FOR OUTSIDE BACK EXHAUST

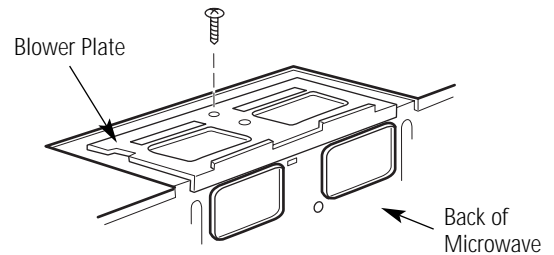
You need to cut an opening in the rear wall for outside exhaust.



- Read the instructions on the REAR WALL TEMPLATE.
- Tape it to the rear wall.
- Cut the opening, following the instructions of the REAR WALL TEMPLATE.

### B2. REMOVE BLOWER PLATE

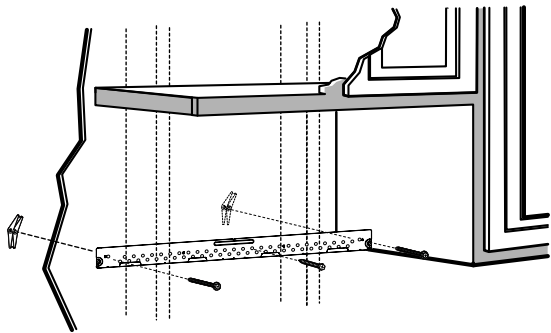
Remove and save the screw that holds the blower plate to the microwave. Lift off the blower plate.





# Installation Instructions

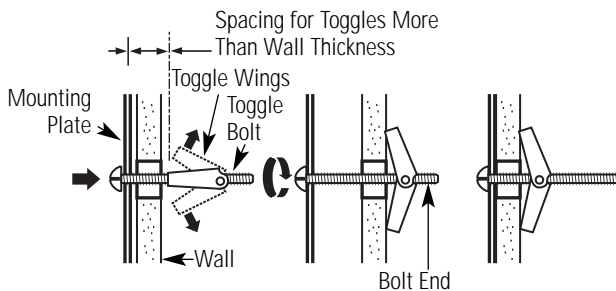
## B3. ATTACH THE MOUNTING PLATE TO THE WALL



Attach the plate to the wall using toggle bolts. At least one wood screw must be used to attach the plate to a wall stud.

- 1 Remove the toggle wings from the bolts.
- 2 Insert the bolts into the mounting plate through the holes designated to go into drywall and reattach the toggle wings to  $\frac{3}{4}$ " (19 mm) onto each bolt.

### To use toggle bolts:



- 3 Place the mounting plate against the wall and insert the toggle wings into the holes in the wall to mount the plate.

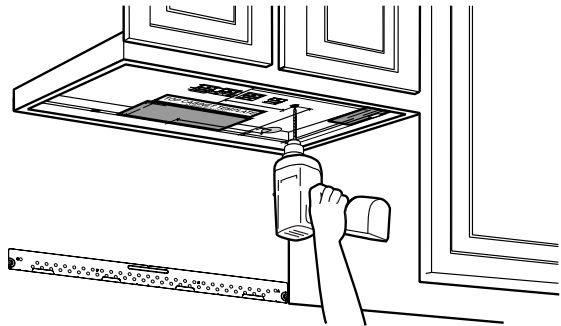
**NOTE:** Before tightening toggle bolts and wood screw, make sure the tabs on the mounting plate touch the bottom of the cabinet when pushed flush against the wall and that the plate is properly centered under the cabinet.

**CAUTION:** Be careful to avoid pinching fingers between the back of the mounting plate and the wall.

- 4 Tighten all bolts. Pull the plate away from the wall to help tighten the bolts.

## B4. USE TOP CABINET TEMPLATE FOR PREPARATION OF TOP CABINET

You need to drill holes for the top support screws and a hole large enough for the power cord to fit through.

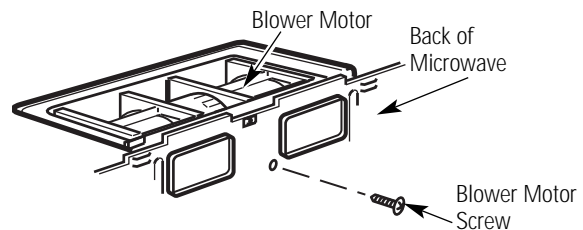


- Read the instructions on the TOP CABINET TEMPLATE.
- Tape it underneath the top cabinet.
- Drill the holes, following the instructions on the TOP CABINET TEMPLATE.

**CAUTION:** Wear safety goggles when drilling holes in the cabinet bottom.

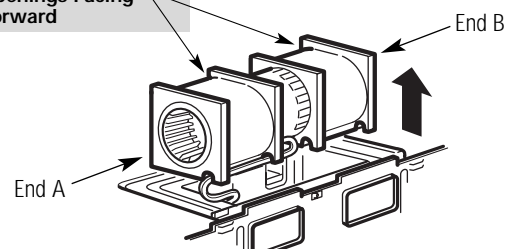
## B5. ADAPTING MICROWAVE BLOWER FOR OUTSIDE BACK EXHAUST

- 1 Remove and save screw that holds blower motor to microwave.



- 2 Carefully pull out the blower unit. The wires will extend far enough to allow you to adjust the blower unit.

Before: Fan Blade Openings Facing Forward

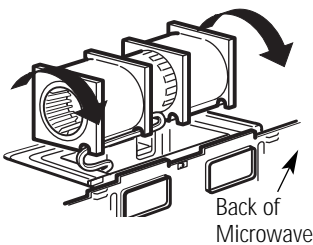


# Installation Instructions

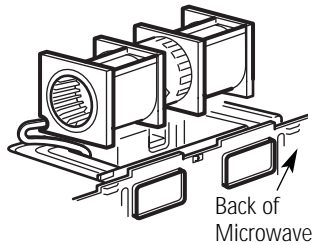
## B5. ADAPTING MICROWAVE BLOWER FOR OUTSIDE BACK EXHAUST (cont.)

- 3 Roll the blower unit 90°

Before Rotation

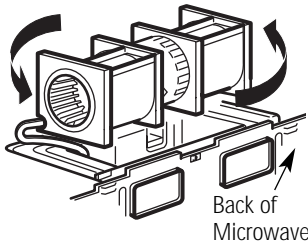


After Rotation

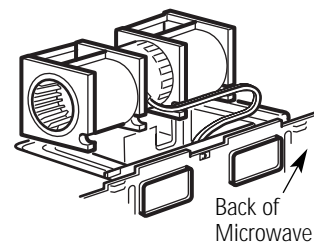


- 4 Rotate blower unit counterclockwise 180°.

Before Rotation

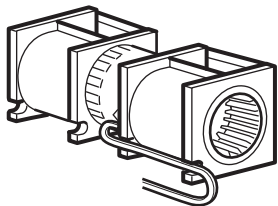


After Rotation

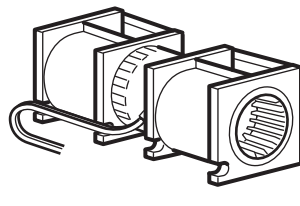


- 5 Gently remove the wires from the grooves. Reroute the wires through grooves on other side of the blower unit.

Before Rerouting



After Rerouting

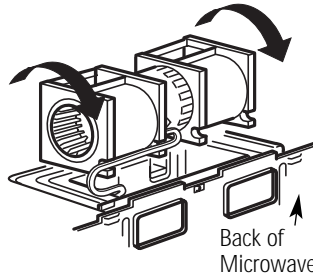


Wires Routed Through Right Side

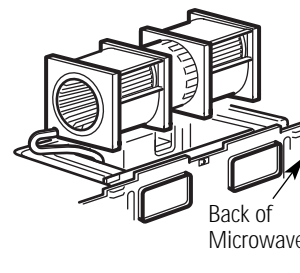
Wires Routed Through Left Side

- 6 Roll the blower unit 90° so that fan blade openings are facing out the back of the microwave.

Before Rolling



After Rolling

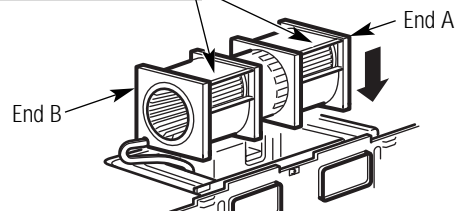


Back of Microwave

Back of Microwave

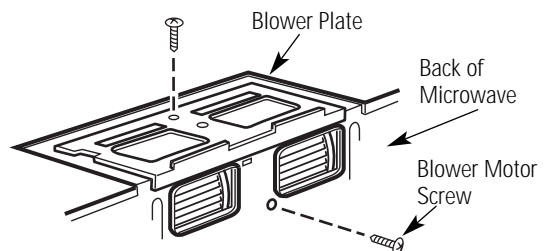
- 7 Place the blower unit back into the opening.

AFTER: Fan Blade Openings Facing Back



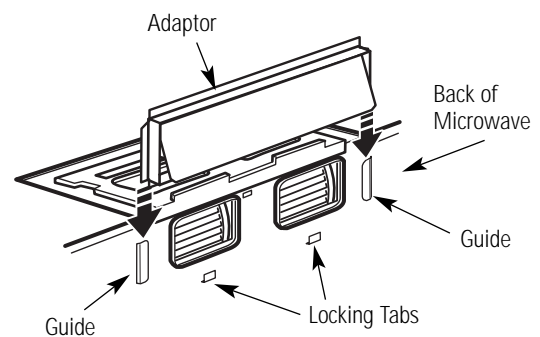
**CAUTION: Do not pull or stretch the blower unit wiring. Make sure the wires are not pinched, and that they are properly secured.**  
**NOTE: The blower unit exhaust openings should match exhaust openings on rear of microwave oven.**

- 8 Secure the blower unit to the microwave with the original screw.



- 9 Replace the blower plate in the same position as before with the screw. Make sure the screw is tight.

- 10 Attach the exhaust adaptor to the rear of the oven by sliding it into the guides at the top center of the back of the oven.



Push in securely until it is in the lower locking tabs. Take care to assure that the damper hinge is installed so that it is at the top and that the damper swings freely.

# Installation Instructions

## B6. MOUNT THE MICROWAVE OVEN



FOR EASIER INSTALLATION AND PERSONAL SAFETY, WE RECOMMEND THAT **TWO PEOPLE INSTALL THIS MICROWAVE OVEN.**

**IMPORTANT: Do not grip or use handle during installation.**

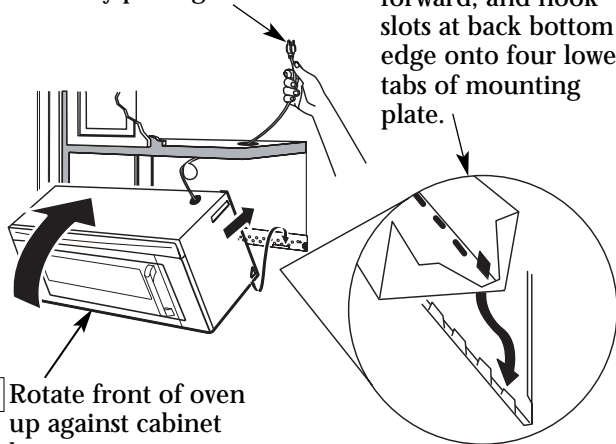
**NOTE:** If your cabinet is metal, use the nylon grommet around the power cord hole to prevent cutting of the cord.

**NOTE:** We recommend using filler blocks if the cabinet front hangs below the cabinet bottom shelf.

**IMPORTANT: If filler blocks are not used, case damage may occur from overtightening screws.**

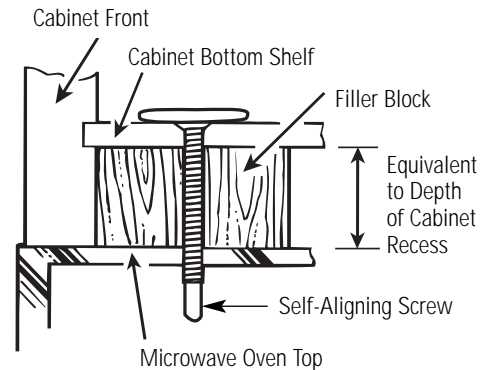
**NOTE:** When mounting the microwave oven, thread power cord through hole in bottom of top cabinet. Keep it tight throughout Steps 1-3. Do not pinch cord or lift oven by pulling cord.

- 1 Lift microwave, tilt it forward, and hook slots at back bottom edge onto four lower tabs of mounting plate.



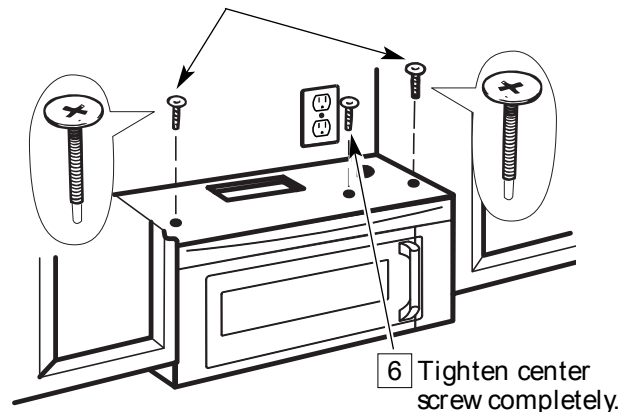
- 2 Rotate front of oven up against cabinet bottom.

- 3 Insert a self-aligning screw through top center cabinet hole. Temporarily secure the oven by turning the screw at least **two full turns** after the threads have engaged. (It will be completely tightened later.) **Be sure to keep power cord tight. Be careful not to pinch the cord, especially when mounting flush to bottom of cabinet.**

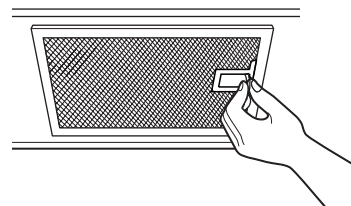


- 4 Attach the microwave oven to the top cabinet.

- 5 Insert 2 self-aligning screws through outer top cabinet holes. Turn two full turns on each screw.



- 7 Tighten the outer two screws to the top of the microwave oven. (While tightening screws, hold the microwave oven in place against the wall and the top cabinet.)



- 8 Install grease filters. See the Owner's Manual packed with the microwave.

# Installation Instructions

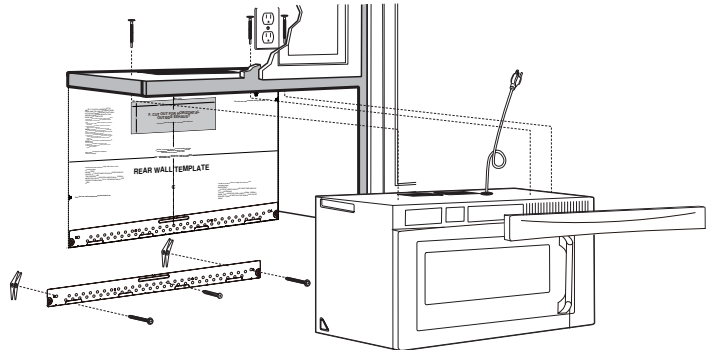
## C RECIRCULATING (Non-Vented Ductless)

### INSTALLATION OVERVIEW

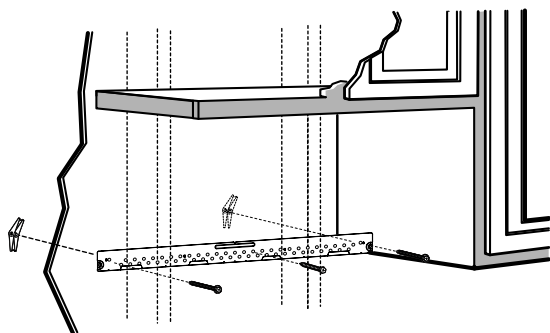
- C1. Attach Mounting Plate to Wall
- C2. Prepare Top Cabinet
- C3. Check Blower Plate
- C4. Mount the Microwave Oven
- C5. Install or change Charcoal Filter

#### IMPORTANT NOTES:

- Make sure the screws for the blower motor and blower plate are securely tightened when they are reinstalled. This will help to prevent excessive vibration.
- Make sure the motor wiring has been properly routed and secured, and that the wires are not pinched.



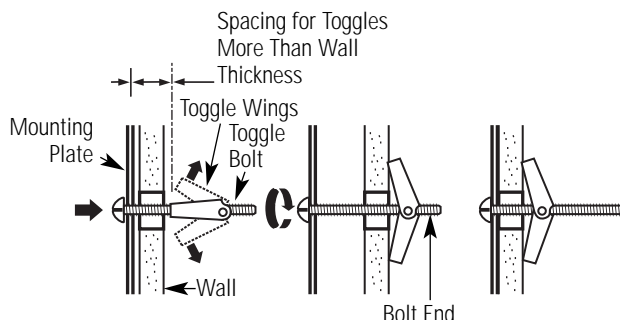
### C1. ATTACH THE MOUNTING PLATE TO THE WALL



Attach the plate to the wall using toggle bolts. At least one wood screw must be used to attach the plate to a wall stud.

- 1 Remove the toggle wings from the bolts.
- 2 Insert the bolts into the mounting plate through the holes designated to go into drywall and reattach the toggle wings to  $\frac{3}{4}$ " (19 mm) onto each bolt.

#### To use toggle bolts:



- 3 Place the mounting plate against the wall and insert the toggle wings into the holes in the wall to mount the plate.

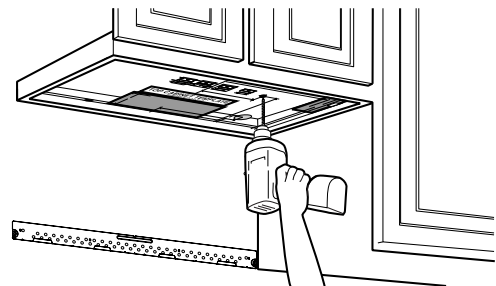
**NOTE:** Before tightening toggle bolts and wood screw, make sure the tabs on the mounting plate touch the bottom of the cabinet when pushed flush against the wall and that the plate is properly centered under the cabinet.

**CAUTION:** Be careful to avoid pinching fingers between the back of the mounting plate and the wall.

- 4 Tighten all bolts. Pull the plate away from the wall to help tighten the bolts.

### C2. USE TOP CABINET TEMPLATE FOR PREPARATION OF TOP CABINET

You need to drill holes for the top support screws and a hole large enough for the power cord to fit through.

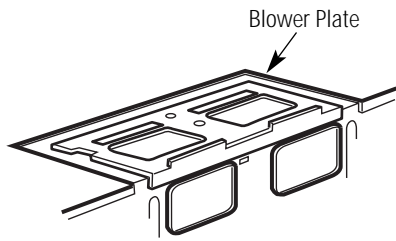


- Read the instructions on the TOP CABINET TEMPLATE.
- Tape it underneath the top cabinet.
- Drill the holes, following the instructions on the TOP CABINET TEMPLATE.

**CAUTION:** Wear safety goggles when drilling holes in the cabinet bottom.

# Installation Instructions

## C3. CHECK BLOWER PLATE



- Place the microwave in its upright position, with the top of the unit facing up.
- Check to see that the blower plate is correctly installed on the unit.

## C4. MOUNT THE MICROWAVE OVEN



FOR EASIER INSTALLATION AND PERSONAL SAFETY, WE RECOMMEND THAT **TWO PEOPLE INSTALL THIS MICROWAVE OVEN.**

**IMPORTANT: Do not grip or use handle during installation.**

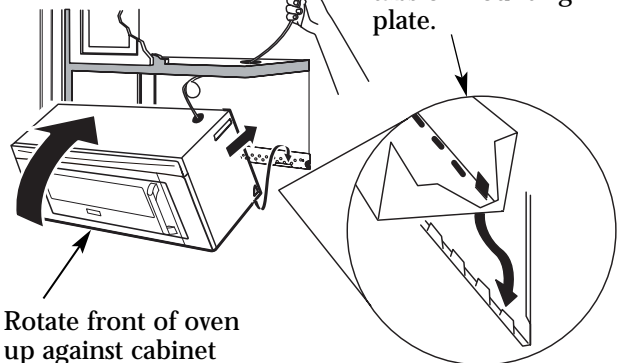
**NOTE:** If your cabinet is metal, use the nylon grommet around the power cord hole to prevent cutting of the cord.

**NOTE:** We recommend using filler blocks if the cabinet front hangs below the cabinet bottom shelf.

**IMPORTANT: If filler blocks are not used, case damage may occur from overtightening screws.**

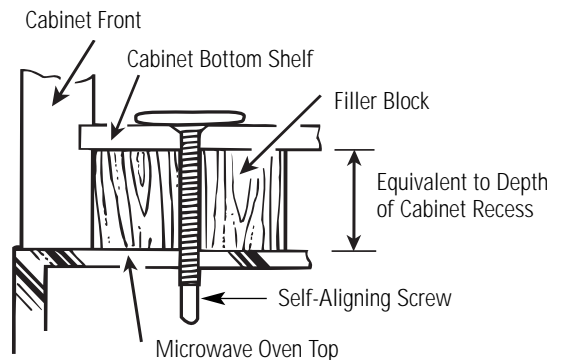
**NOTE:** When mounting the microwave oven, thread power cord through hole in bottom of top cabinet. Keep it tight throughout Steps 1-3. Do not pinch cord or lift oven by pulling cord.

- 1 Lift microwave, tilt it forward, and hook slots at back bottom edge onto four lower tabs of mounting plate.



- 2 Rotate front of oven up against cabinet bottom.

- 3 Insert a self-aligning screw through top center cabinet hole. Temporarily secure the oven by turning the screw at least **two full turns** after the threads have engaged. (It will be completely tightened later.) **Be sure to keep power cord tight. Be careful not to pinch the cord, especially when mounting flush to bottom of cabinet.**

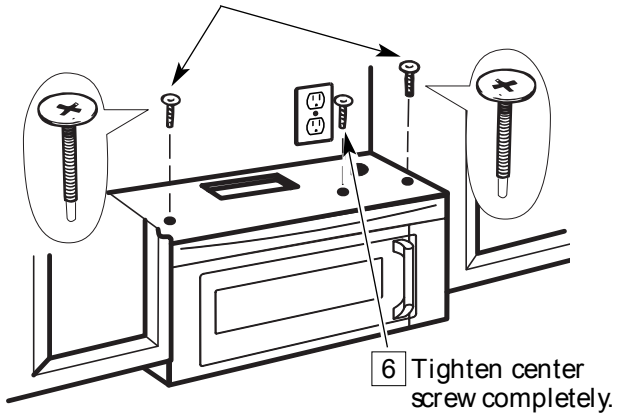


- 4 Attach the microwave oven to the top cabinet.

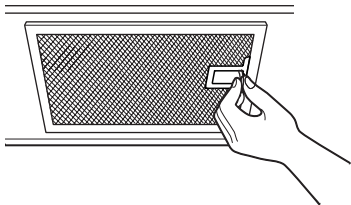
# Installation Instructions

## C4. MOUNT THE MICROWAVE OVEN (cont.)

- 5 Insert 2 self-aligning screws through outer top cabinet holes. Turn two full turns on each screw.



- 7 Tighten the outer two screws to the top of the microwave oven. (While tightening screws, hold the microwave oven in place against the wall and the top cabinet.)

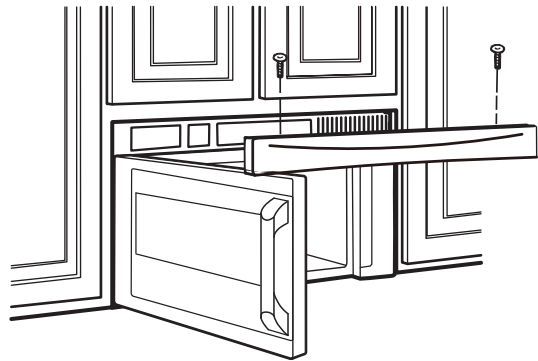


- 8 Install grease filters. See the Owner's Manual packed with the microwave.

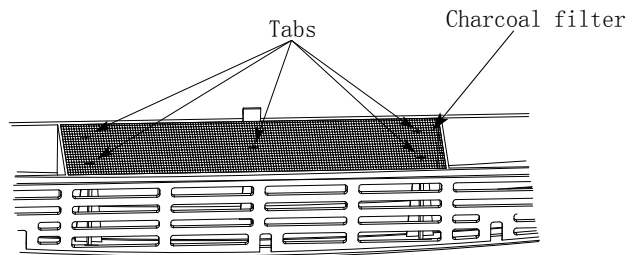
## C5. INSTALLING OR CHANGE THE CHARCOAL FILTER

NOTE: The charcoal filter is factory installed in recirculating models. Follow these steps to replace a filter or to install a filter after converting a vented model to recirculating operation.

- 1 Remove screws on top of grille using a #1 Phillips screwdriver.
- 2 Open the door.
- 3 Remove the grille.  
Pull the grille straight off.



- 4 Install the charcoal filter: Lay the filter on the back of the grille with the black mesh face upper.



- 5 Replace the grille and the screws.
- 6 Close the door.



# Installation Instructions

## BEFORE YOU USE YOUR MICROWAVE

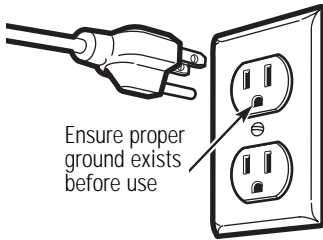
- 1.** Make sure the microwave oven has been installed according to instructions.



- 2.** Remove all packing material from the microwave oven.

- 3.** Install turntable ring and glass tray in cavity

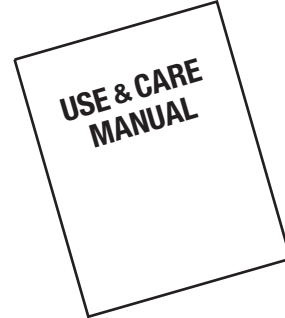
- 4.** Plug power cord into a dedicated 15- to 20-amp electrical outlet.



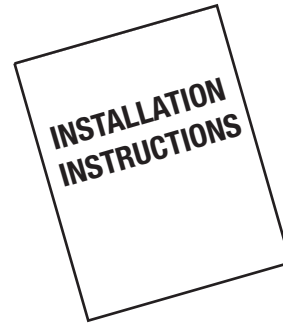
- 5.** Replace house fuse or turn breaker back on.



- 6.** Read the USE & CARE Manual.

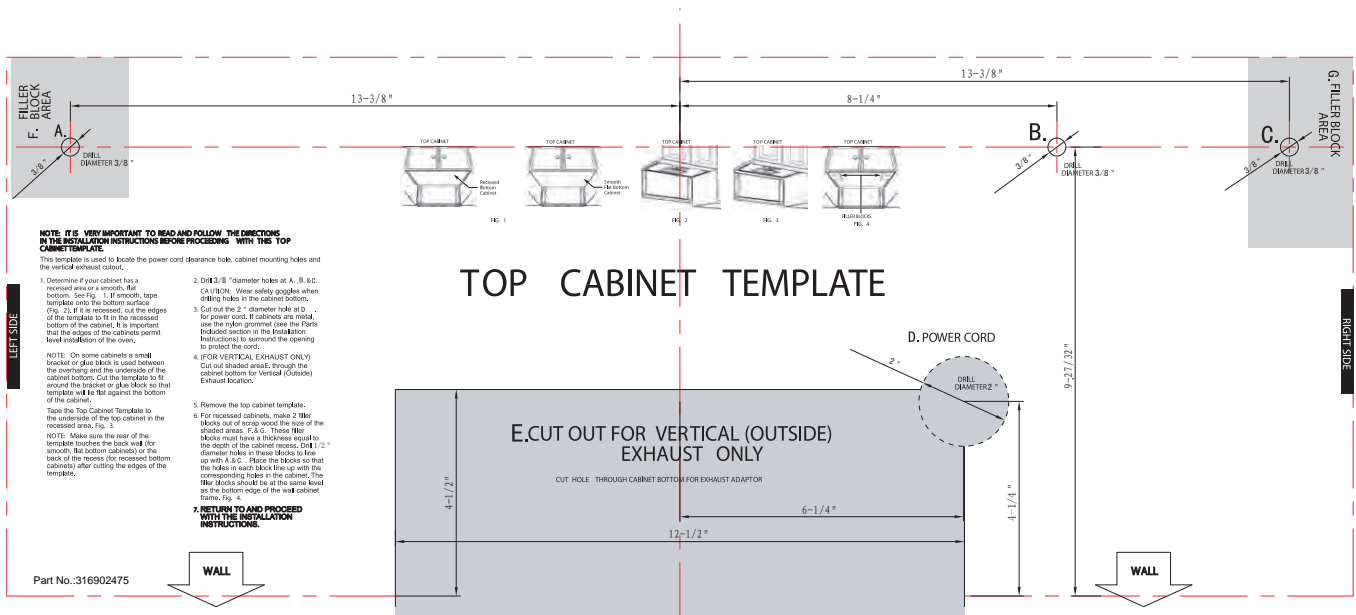
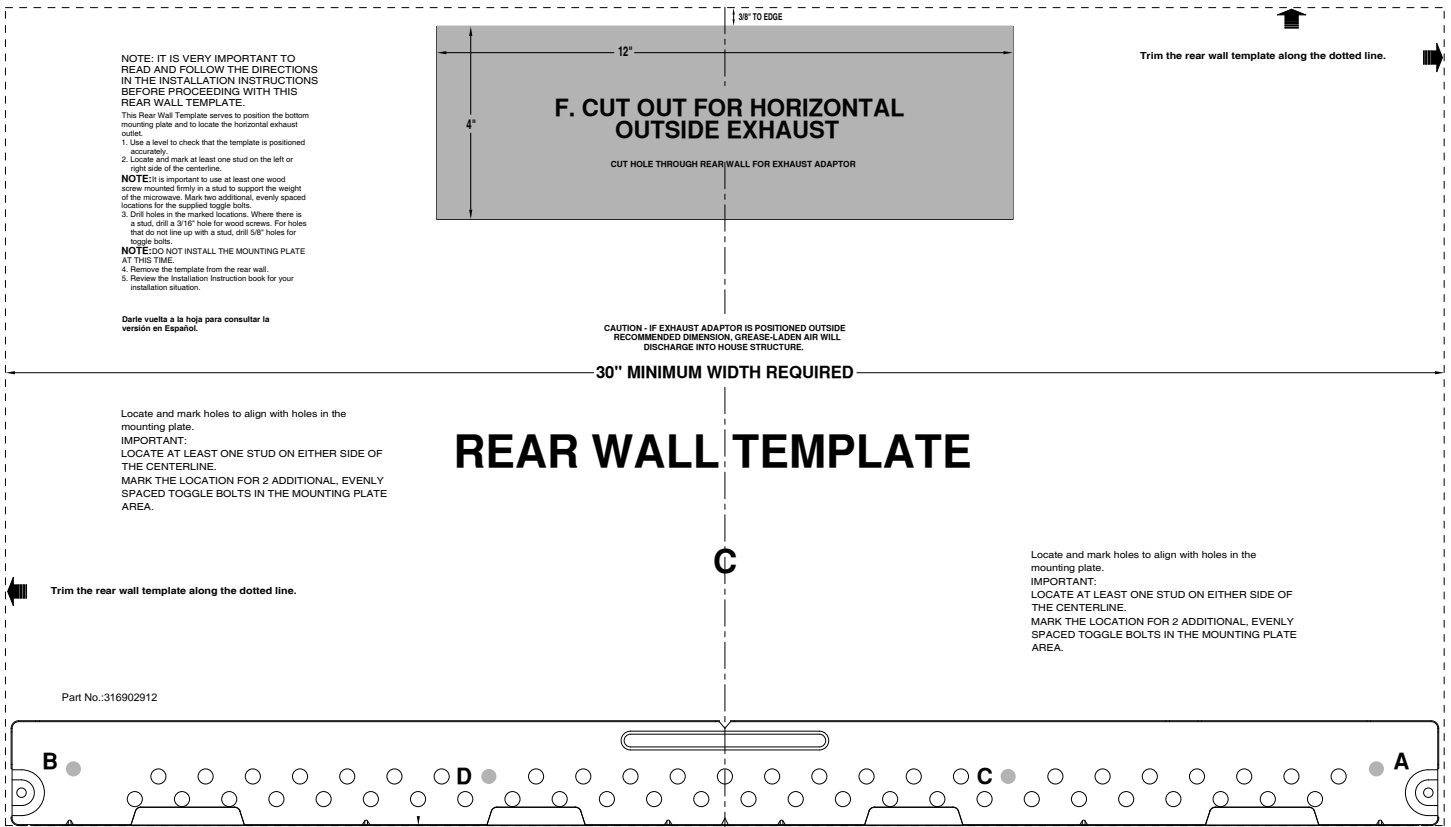


- 7.** KEEP INSTALLATION INSTRUCTIONS FOR THE LOCAL INSPECTOR'S USE.

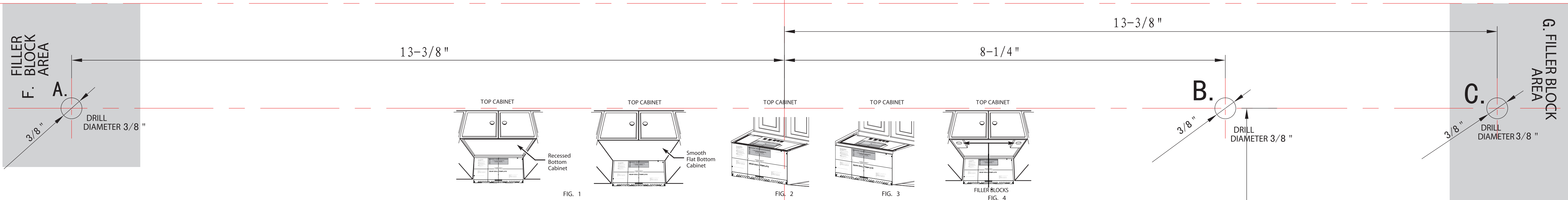


- 8.** FILL OUT PRODUCT REGISTRATION CARD

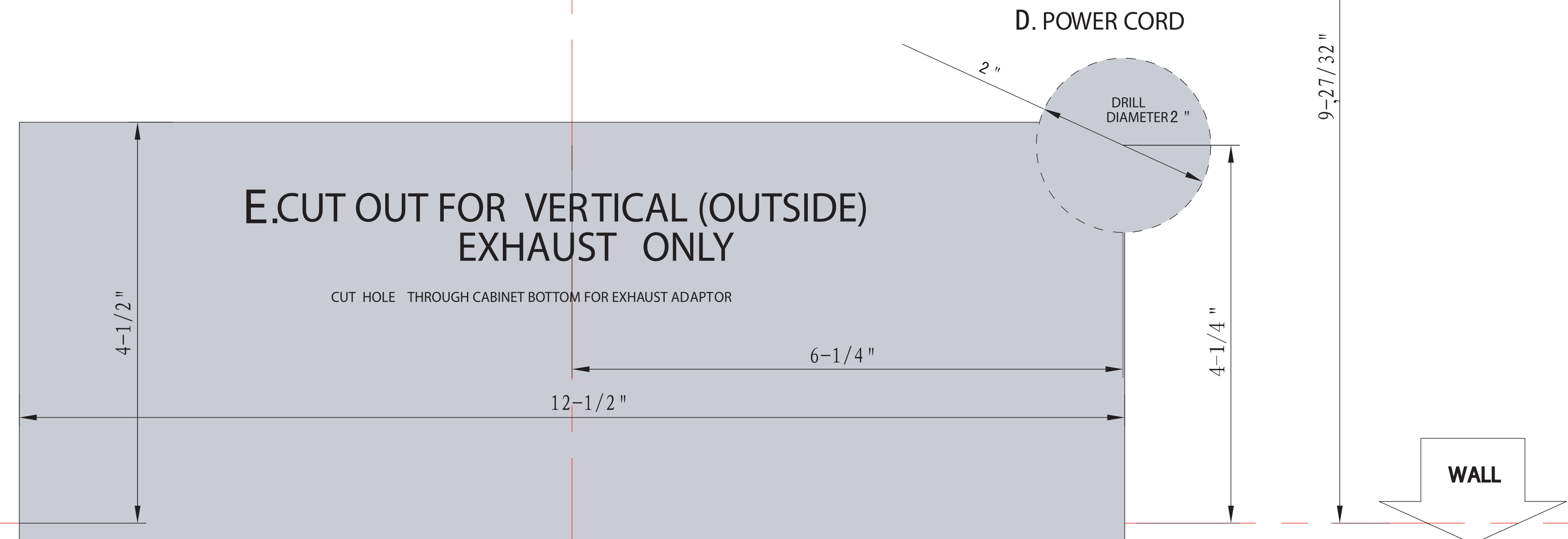








# TOP CABINET TEMPLATE



LEFT SIDE

RIGHT SIDE

**NOTE: IT IS VERY IMPORTANT TO READ AND FOLLOW THE DIRECTIONS IN THE INSTALLATION INSTRUCTIONS BEFORE PROCEEDING WITH THIS TOP CABINET TEMPLATE.**

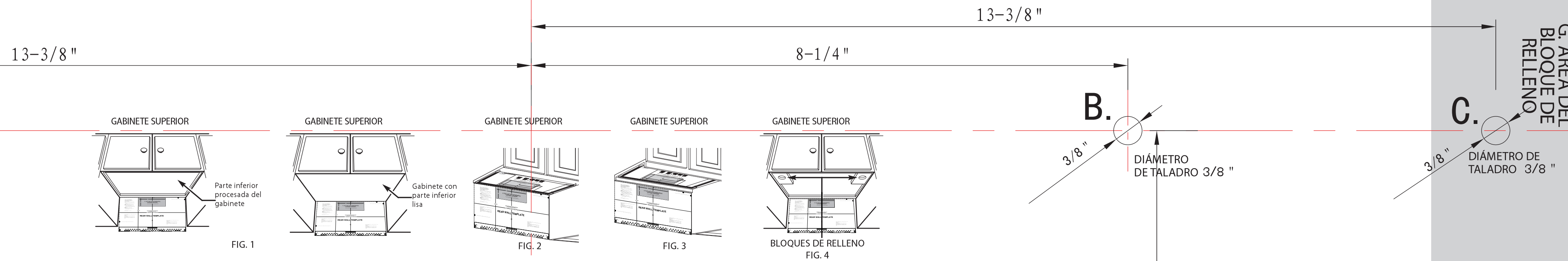
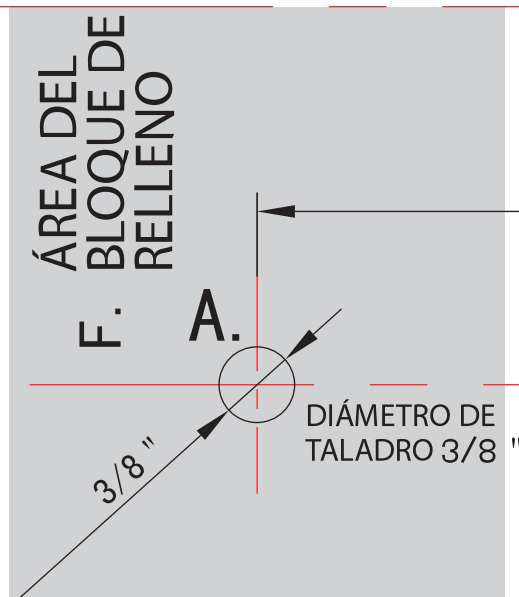
This template is used to locate the power cord clearance hole, cabinet mounting holes and the vertical exhaust cutout.

- Determine if your cabinet has a recessed area or a smooth, flat bottom. See Fig. 1. If smooth, tape template onto the bottom surface (Fig. 2). If it is recessed, cut the edges of the template to fit in the recessed bottom of the cabinet. It is important that the edges of the cabinets permit level installation of the oven.
- Drill 3/8" diameter holes at A, B, & C.  
CAUTION: Wear safety goggles when drilling holes in the cabinet bottom.
- Cut out the 2" diameter hole at D for power cord. If cabinets are metal, use the nylon grommet (see the Parts Included section in the Installation Instructions) to surround the opening to protect the cord.
- (FOR VERTICAL EXHAUST ONLY) Cut out shaded area E through the cabinet bottom for Vertical (Outside) Exhaust location.
- Remove the top cabinet template.
- For recessed cabinets, make 2 filler blocks out of scrap wood the size of the shaded areas F & G. These filler blocks must have a thickness equal to the depth of the cabinet recess. Drill 1/2" diameter holes in these blocks to line up with A & C. Place the blocks so that the holes in each block line up with the corresponding holes in the cabinet. The filler blocks should be at the same level as the bottom edge of the wall cabinet frame. Fig. 4.
- RETURN TO AND PROCEED WITH THE INSTALLATION INSTRUCTIONS.**

NOTE: On some cabinets a small bracket or glue block is used between the overhang and the underside of the cabinet bottom. Cut the template to fit around the bracket or glue block so that template will lie flat against the bottom of the cabinet.

Tape the Top Cabinet Template to the underside of the top cabinet in the recessed area. Fig. 3.

NOTE: Make sure the rear of the template touches the back wall (for smooth, flat bottom cabinets) or the back of the recess (for recessed bottom cabinets) after cutting the edges of the template.



NOTA: ES MUY IMPORTANTE LEER Y SEGUIR LAS INSTRUCCIONES DE INSTALACIÓN ANTES DE PROCEDER A USAR ESTA PLANTILLA PARA EL GABINETE SUPERIOR. Esta plantilla se usa para ubicar el agujero a través del cual pasará el cable eléctrico, los agujeros para la instalación en el gabinete y el hueco para la salida de extracción vertical.

- Determine qué tipo de área tiene la superficie inferior del gabinete: hueca o lisa/plana. Vea la figura 1. Si se trata de una superficie inferior lisa, adhiera con cinta la plantilla a dicha superficie (figura 2). Si se trata de una superficie hueca, corte los bordes de la plantilla para que se ajusten a la superficie inferior hueca del gabinete. Es importante que los bordes de los gabinetes permitan una instalación nivelada del horno.

NOTA: en el caso de algunos gabinetes, a veces existe un pequeño soporte o bloque pegado entre la parte saliente y la parte inferior de la superficie inferior del gabinete. Corte la plantilla para que se ajuste al soporte o el bloque, a fin de que la plantilla quede lisa y a ras contra la superficie inferior del gabinete.

Adhiera con cinta la plantilla para el gabinete superior a la parte inferior del gabinete en el área hueca (figura 3).

NOTA: tras cortar los bordes de la plantilla, asegúrese de que la parte trasera de la plantilla toque la pared trasera (en el caso de gabinetes con superficie inferior lisa/plana) o la parte trasera de la superficie hueca (en el caso de gabinetes con superficie inferior hueca).

- Taladre agujeros con diámetro de 3/8" en A., B. y C.

PRECAUCIÓN: cuando taladre los agujeros en la superficie inferior del gabinete, use gafas protectoras.

Part No.: 316902475

- Realice el corte para el agujero (hueco) con diámetro de 2" en D. para el cable eléctrico. Si el gabinete es metálico, use una moldura aislante de nylon alrededor del agujero para el cable eléctrico, a fin de evitar cortes en el cable (consulte la sección de piezas incluidas del Manual de instrucciones de instalación).

- (SOLAMENTE PARA EXTRACCIÓN VERTICAL) Corte el área sombreada E. a través de la superficie inferior del gabinete, para la ubicación de la salida de extracción vertical (externa).

- Retire la plantilla para el gabinete superior.

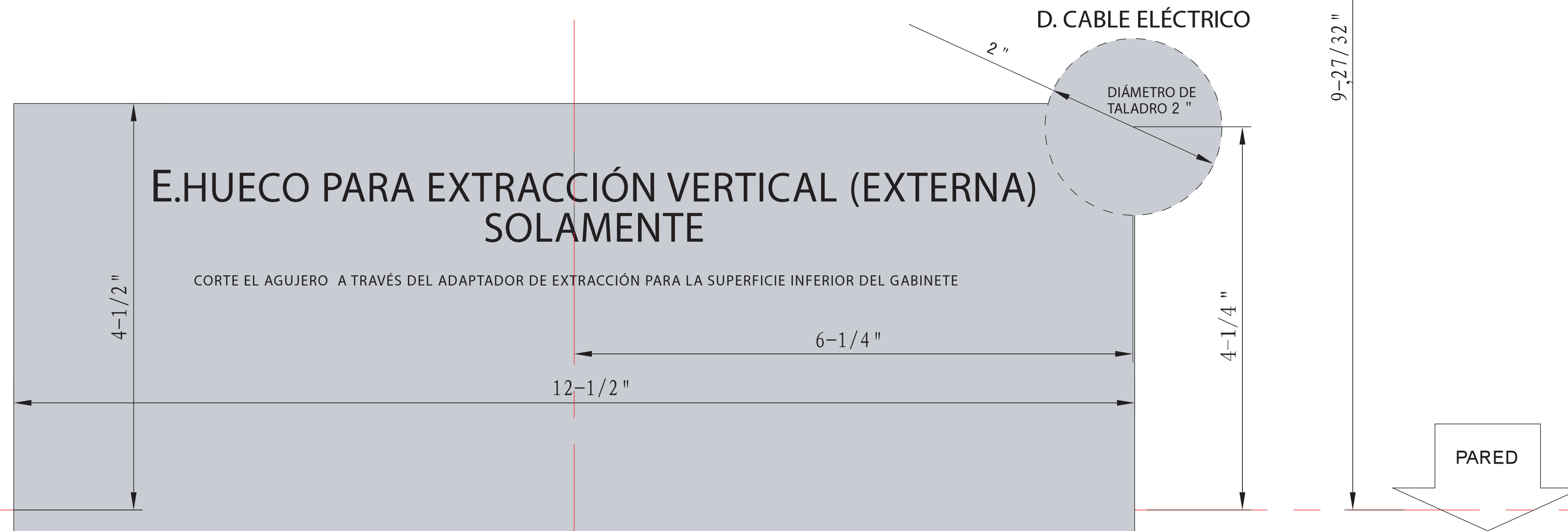
- En el caso de gabinetes con superficie inferior hueca, confeccione 2 bloques de relleno con madera sobrante, del tamaño de las áreas sombreadas F y G. Dichos bloques de relleno deben tener un espesor igual a la profundidad del hueco del gabinete. Taladre agujeros con un diámetro de 1/2" en dichos bloques, para alinearlos con A. y C. Coloque los bloques de manera que los agujeros en cada bloque queden alineados con los correspondientes agujeros en el gabinete. Los bloques de relleno deben quedar al mismo nivel que el borde inferior del marco del gabinete en la pared (figura 4).

- PROSIGA CON LAS INSTRUCCIONES DE INSTALACIÓN.

PARED

PARED

## PLANTILLA PARA EL GABINETE SUPERIOR



NOTE: IT IS VERY IMPORTANT TO READ AND FOLLOW THE DIRECTIONS IN THE INSTALLATION INSTRUCTIONS BEFORE PROCEEDING WITH THIS REAR WALL TEMPLATE.

This Rear Wall Template serves to position the bottom mounting plate and to locate the horizontal exhaust outlet.

1. Use a level to check that the template is positioned accurately.
2. Locate and mark at least one stud on the left or right side of the centerline.

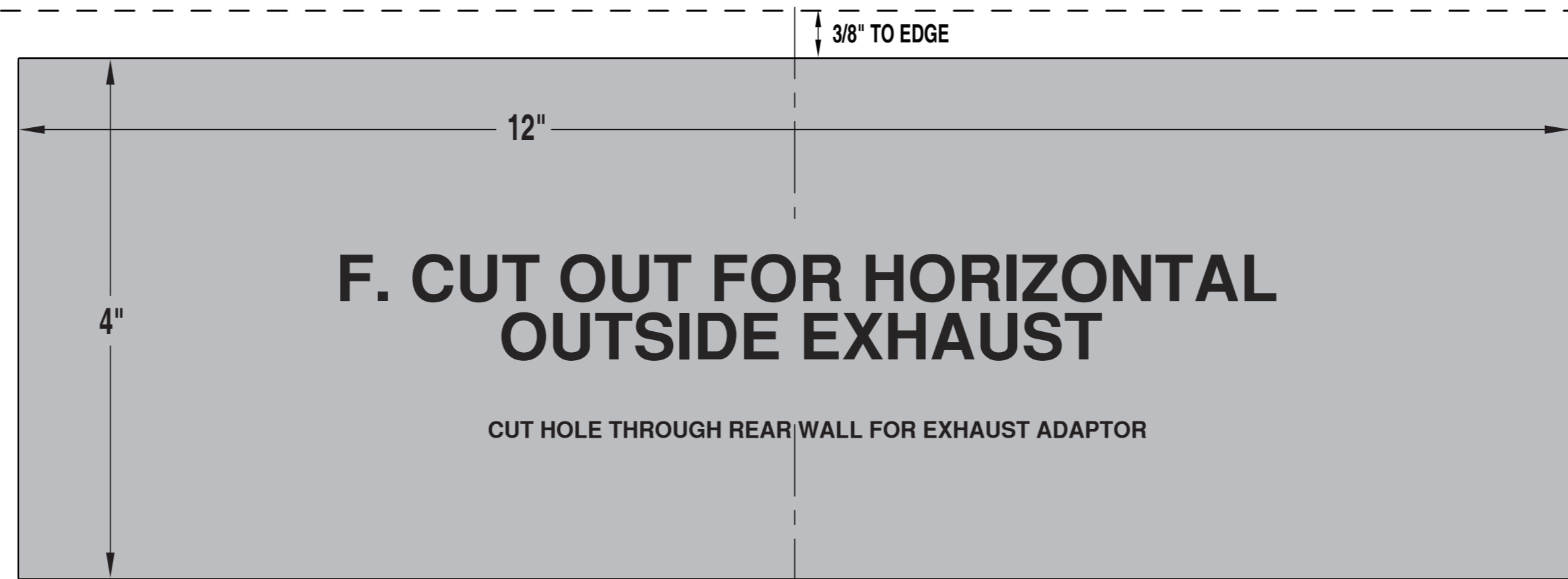
**NOTE:** It is important to use at least one wood screw mounted firmly in a stud to support the weight of the microwave. Mark two additional, evenly spaced locations for the supplied toggle bolts.

3. Drill holes in the marked locations. Where there is a stud, drill a 3/16" hole for wood screws. For holes that do not line up with a stud, drill 5/8" holes for toggle bolts.

**NOTE:** DO NOT INSTALL THE MOUNTING PLATE AT THIS TIME.

4. Remove the template from the rear wall.
5. Review the Installation Instruction book for your installation situation.

Darle vuelta a la hoja para consultar la versión en Español.



Trim the rear wall template along the dotted line.

CAUTION - IF EXHAUST ADAPTOR IS POSITIONED OUTSIDE RECOMMENDED DIMENSION, GREASE-LADEN AIR WILL DISCHARGE INTO HOUSE STRUCTURE.

30" MINIMUM WIDTH REQUIRED

# REAR WALL TEMPLATE

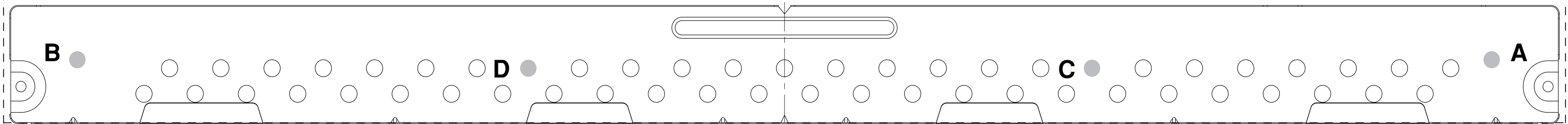
Locate and mark holes to align with holes in the mounting plate.  
**IMPORTANT:**  
LOCATE AT LEAST ONE STUD ON EITHER SIDE OF THE CENTERLINE.  
MARK THE LOCATION FOR 2 ADDITIONAL, EVENLY SPACED TOGGLE BOLTS IN THE MOUNTING PLATE AREA.

Locate and mark holes to align with holes in the mounting plate.  
**IMPORTANT:**  
LOCATE AT LEAST ONE STUD ON EITHER SIDE OF THE CENTERLINE.  
MARK THE LOCATION FOR 2 ADDITIONAL, EVENLY SPACED TOGGLE BOLTS IN THE MOUNTING PLATE AREA.

Trim the rear wall template along the dotted line.

Part No.:316902912

PN:261800311304





**NOTA: ES MUY IMPORTANTE LEER Y SEGUIR LAS DIRECCIONES EN LAS INSTRUCCIONES DE INSTALACIÓN ANTES DE PROCEDER CON ESTA PLANTILLA DE PARED POSTERIOR.**

Esta plantilla de la pared posterior sirve para colocar el plato de montaje inferior y para colocar la salida de escape horizontal.

1. Use un nivel para cerciorarse de que la plantilla está colocada de manera apropiada.
2. Localice y marque por lo menos un bajante en el lado izquierdo o derecho de la línea central.

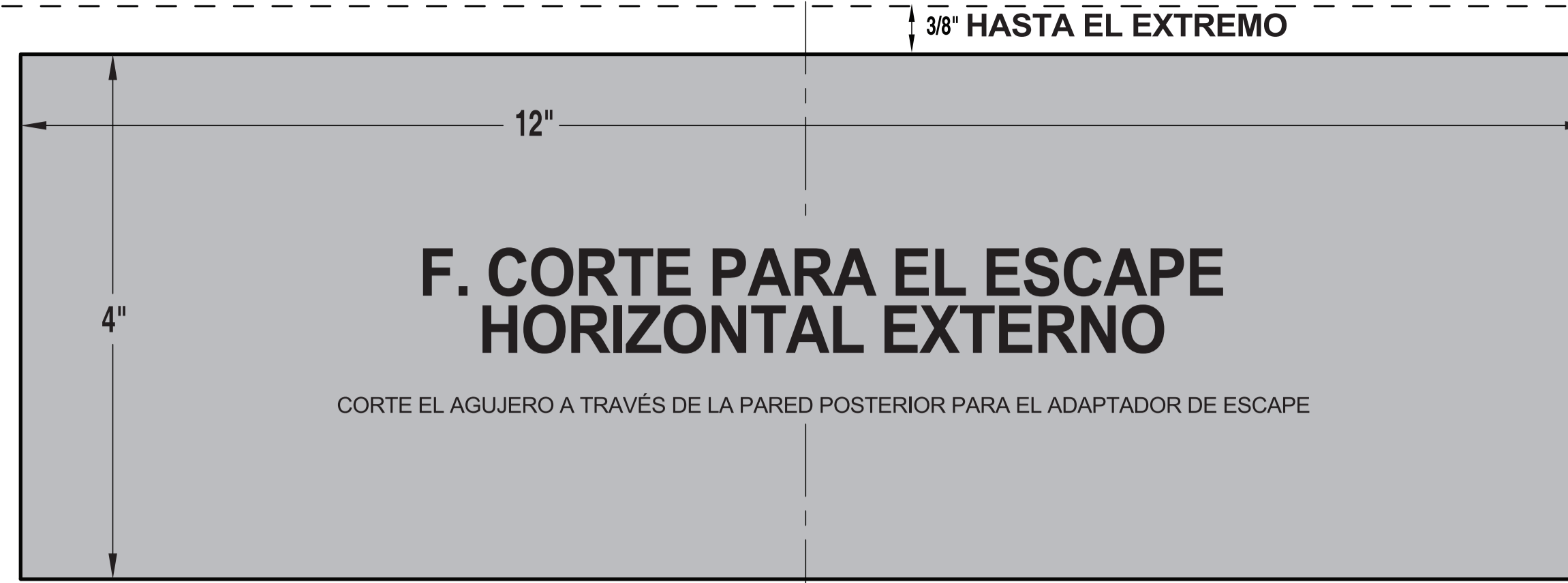
**NOTA:** Es importante usar por lo menos un tornillo de madera montado firmemente en un bajante para soportar el peso del microondas. Marque dos lugares adicionales, espaciados uniformemente, para los tornillos de palanca proporcionados.

3. Taladre agujeros en los lugares marcados. Donde exista un bajante, taladre agujeros de 3/16" para los tornillos de madera. Para los agujeros que no se alinean con el bajante, taladre agujeros de 5/8" para los tornillos de palanca.

**NOTA:** NO INSTALE EL PLATO DE MONTAJE EN ESTE MOMENTO.

4. Remueva la plantilla de la pared posterior.
5. Revise el Manual de instrucciones de instalación para su situación de instalación.

Tum over for English.



Corte la plantilla ubicada en la pared de atrás a través de la línea de puntos

PRECAUCIÓN - SI EL ADAPTADOR DE ESCAPE ESTÁ COLOCADO MÁS ALLÁ DE LAS DIMENSIONES RECOMENDADAS, AIRE CARGADO CON GRASA SE DESCARGARÁ HACIA LA ESTRUCTURA DE LA CASA.

ANCHO MÍNIMO DE 30" REQUERIDO

Localice y marque los agujeros para que se alineen con los agujeros en el plato de montaje.

**IMPORTANTE:**

LOCALICE POR LO MENOS UN BAJANTE EN CUALQUIERA DE LOS LADOS DE LA LÍNEA CENTRAL.

MARQUE DOS LUGARES ADICIONALES, ESPACIADOS UNIFORMEMENTE, PARA LOS TORNILLOS DE PALANCA EN EL ÁREA DEL PLATO DE MONTAJE.

# PLANTILLA DE PARED POSTERIOR

C

Corte la plantilla ubicada en la pared de atrás a través de la línea de puntos

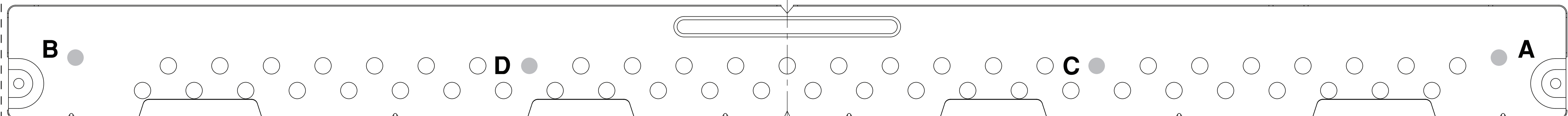
Localice y marque los agujeros para que se alineen con los agujeros en el plato de montaje.

**IMPORTANTE:**

LOCALICE POR LO MENOS UN BAJANTE EN CUALQUIERA DE LOS LADOS DE LA LÍNEA CENTRAL.

MARQUE DOS LUGARES ADICIONALES, ESPACIADOS UNIFORMEMENTE, PARA LOS TORNILLOS DE PALANCA EN EL ÁREA DEL PLATO DE MONTAJE.

Part No.: 316902912



PN: 261800311304