

Electric Freestanding Ranges

EW30EF65G S, EW30EF65G W, EW30EF65G B

Featuring Wave-Touch™ Electronic Controls



Flex-2-Fit™ System

Premium smoothtop cooking with triple-ring expandable, dual-ring expandable and single-ring elements fit all pots and pans.



Sure-2-Fit™ Convection Oven with Hidden Bake Element

Adjustable Luxury-Glide™ oven racks are so smooth and extend effortlessly. Luxury-Design™ Lighting ramp-up designer halogen lighting is as beautiful as it is functional. Exclusive Luxury-Hold™ oven door stays put at whatever angle you place it.



Baking Options

Features 7 cooking modes and 10 cooking options including our exclusive Perfect Turkey™ button for large holiday meals. Perfect Convection™ Third Element European Convection System features a variable 2-speed fan for more even cooking.



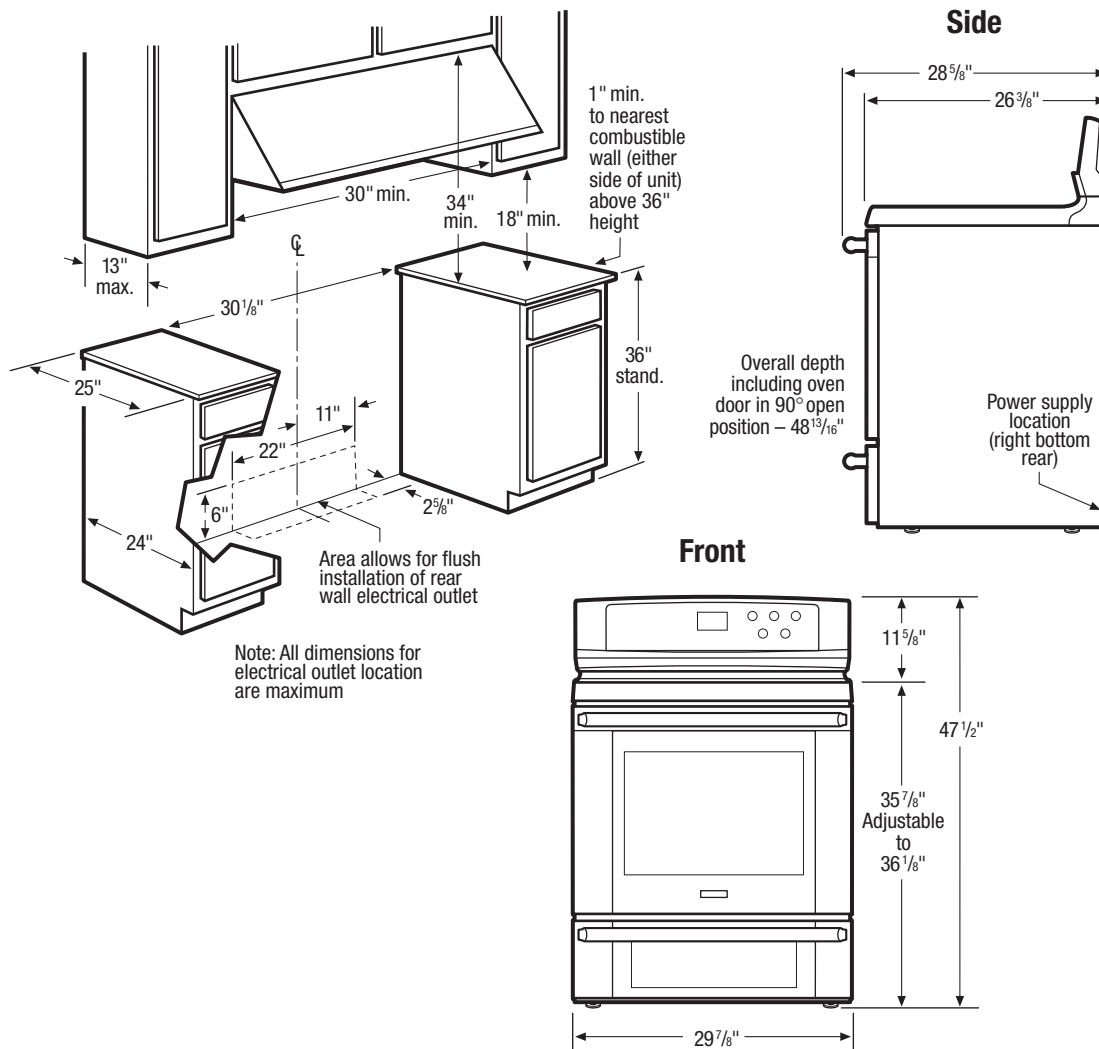
Perfect Pair™ Oven

A large main oven and a second oven combine for 6.7 cubic feet of total cooking capacity. Use both simultaneously to cook two different items at two different temperatures.

30" ELECTRIC FREESTANDING RANGES

Sabbath Mode (Star-K® Certified)	Yes
Control Panel Features	
Wave-Touch™ Electronic Oven Control	Yes
Perfect Set™ Element Controls	Yes
Glass Front Display	Yes
Electronic Clock & Timer	Yes
Temperature Display	Yes
Automatic Oven (Delay, Cook & Off)	Yes
Cooktop Features	
Flex-2-Fit™ Ceramic Glass Smoothtop	Yes
6" to 9" to 12" Triple Expandable Element – 1000W/2000W/2700W	1
6" to 9" Dual Expandable Element – 1600W/3000W	1
5" to 7" Dual Expandable Element – 750W/1800W	1
6" Electric Element – 1200W	1
Warming Zone – 100W	Yes
Oven Features	
Capacity	5.7 Cu. Ft.
Hidden Bake Element	Yes
Eight-Pass Bake Element – 3000 Watts	Yes
Eight-Pass Broil Element – 4000 Watts	Yes
Convection Element – 350 Watts	Yes
Cobalt Blue Interior	Yes
Self-Clean Options with Door Lock	3
Perfect Convection3™ with Variable 2-Speed Fan	Yes
Cooking Modes – Bake, Broil, Convection Bake, Convection Roast, Convection Broil, Keep Warm, Slow Cook	7
Cooking Options – Perfect Turkey™, Defrost, Dehydrate, Bread Proof, My Favorites, Multi-Stage Cooking, Temperature Probe, Rapid Preheat, Delay Bake, Convection Convert	10
Luxury-Design™ Lighting with Dual 40W Halogen Bulbs	Yes
Luxury-Glide™ Racks	2
Conventional Racks	1
Convection Roasting Rack	Yes
Additional Features	
Signature Soft-Arc Oven Door and Handle Design	Yes
Luxury-Hold™ Oven Door	Yes
Extra-Large Glass Window	Yes
Perfect Pair™ Lower Oven	Yes
Fully Extendable Drawer Glides	Yes
Adjustable Leveling Legs	Yes
Accessories	
Porcelain Broiler Pan and Insert	Included
Grill/Griddle – 318251611	Optional
Specifications	
Oven Cavity Dimensions –	
Height	21-3/8"
Width	24-1/4"
Depth	19-1/8"
Overall Exterior Dimensions –	
Height	47-1/2"
Width	29-7/8"
Depth (to Center of Arc) (with 90° Door Open)	26-27/32" 48-13/16"
Power Supply Connection Location	Right Bottom Rear
Voltage Rating	240V/60Hz/50A
Connected Load (kW Rating) @ 240/208 Volts	17.0/12.5
Minimum Circuit Required (Amps)	50
Product Weight	240 Lbs.
Shipping Weight (Approx.)	285 Lbs.

NOTE: Always consult local and/or national electric codes. Refer to Product Installation Guide for detailed installation instructions on the web at www.electroluxappliances.com. Specifications subject to change.



30" Electric Freestanding Range Specifications

- Product Weight – 240 Lbs.
- Single phase 3- or 4-wire cable, 120/240 or 120/208 Volt, 60 Hertz, fused on both sides of line with ground.
- Connected Load (kW Rating) @ 240/208 Volts = 17.0/12.5 kW
- Amps @ 240/208 Volts = 41.7/ 34.2 Amps
- Recommended Circuit Breaker – 50 Amps
- Always consult local and/or national electric codes.
- Overhead cabinetry should not exceed a 13" maximum depth.
- Allow 30" minimum clearance between rangetop and bottom of unprotected wood or metal overhead cabinetry.
- Absolute minimum horizontal distance between overhead cabinets installed to either side of appliance must be no less than maximum width of appliance.

- Allow 24" minimum clearance when bottom of wood or metal overhead cabinet is protected by not less than 1/8" flame-retardant millboard covered with not less than No. 28 MGS sheet steel, 0.015" stainless steel, 0.024" aluminum or 0.020" copper.
- Allow 1" minimum clearance from edge of rangetop to nearest combustible wall on either side of unit.
- To reduce risk of fire when using overhead cabinetry, install range hood that projects horizontally a recommended minimum of 5" beyond bottom of cabinets.

Note: For planning purposes only. Refer to Product Installation Guide on the web at electroluxappliances.com for detailed instructions.

Optional Accessories

- Grill/Griddle – (318251611).