

Warmer Drawer

EW30WD55GS



1.6 Cu. Ft. Stainless Steel Interior

Large capacity warmer drawer has 1.6 cubic feet of usable space to keep an entire meal warm until serving time. Stainless steel interior cleans up fast and easily.



Bread Proofing

For best results, the Bread Proofing setting provides the perfect combination of moisture and warmth to raise dough evenly without cooking.



Moist or Dry Vent Control

Adjustable humidity controls deliver optimal serving results by providing the precise amount of humidity to ensure certain dishes stay moist while others remain dry.



Half-Width Rack

Drawer features a convenient half-width rack for small dishes and breads, also providing loading flexibility to accommodate a variety of prepared foods.

30" WARMER DRAWER

Capacity	1.6 Cu. Ft.
----------	-------------

Features

Perfect Set™ Electronic Controls	Yes
Blue LED Display	Yes
Automatic Shutoff – 4 hour	Yes
Humidity Control	Yes
Heating Element (Watts)	450
Luxury-Glide™ Full-Extension Drawer Glides	Yes
Element "ON" Blue Indicator Light	Yes
Stainless Steel Drawer Interior	Yes
Half-Width Rack	Yes

Additional Features

Signature Soft-Arc Drawer Front and Handle Design	Yes
---	-----

Colour / UPC (0-57112)

Stainless Steel (S)	09692-6
---------------------	---------

Specifications

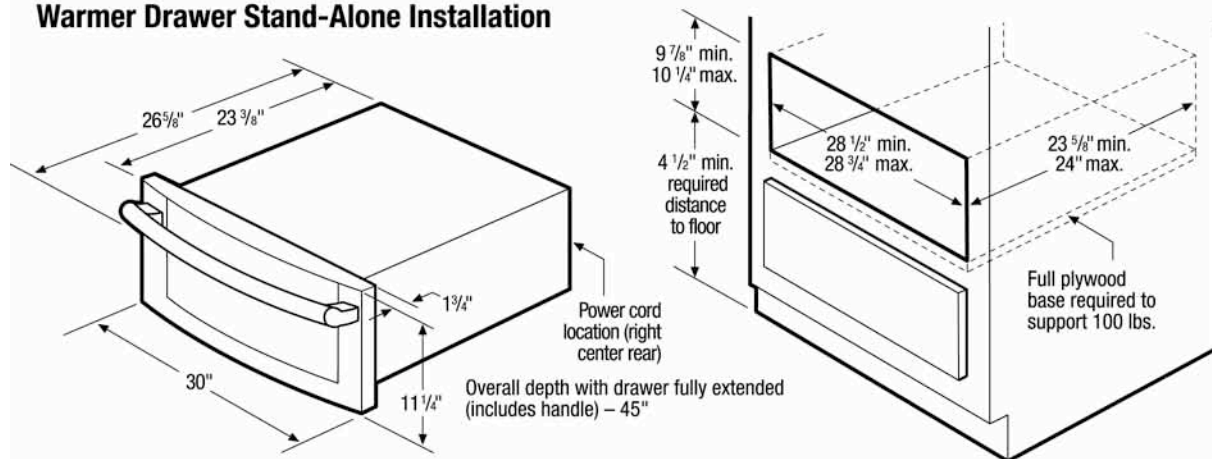
Drawer Interior Dimensions –	
Height	6-1/2"
Width	20-15/16"
Depth	19-1/4"
Overall Exterior Dimensions –	
Height	11-1/4"
Width	30"
Depth (to Front Drawer Corner) (Fully Extended Including Handle)	23-3/8" 45"
Temperature Range	80°F – 210°F
Power Supply Connection Location	Right Center Rear
Voltage Rating	120V/60Hz/15A
Connected Load (kW Rating) @ 120 Volts†	0.45
Amps @ 120 Volts	3.75
Minimum Circuit Required (Amps)	15
60" Electrical Cable	Included
Approved for Under-Counter Installation	Yes
Product Weight	65 Lbs.
Shipping Weight	80 Lbs.

†For use on adequately wired 120V, dedicated circuit having 2-wire service with a separate ground wire. Appliance must be grounded for safe operation.

NOTE: Always consult local and/or national electric codes. Refer to Product Installation Guide for detailed installation instructions on the web at www.electroluxappliances.ca.

Specifications subject to change.

Warmer Drawer Stand-Alone Installation



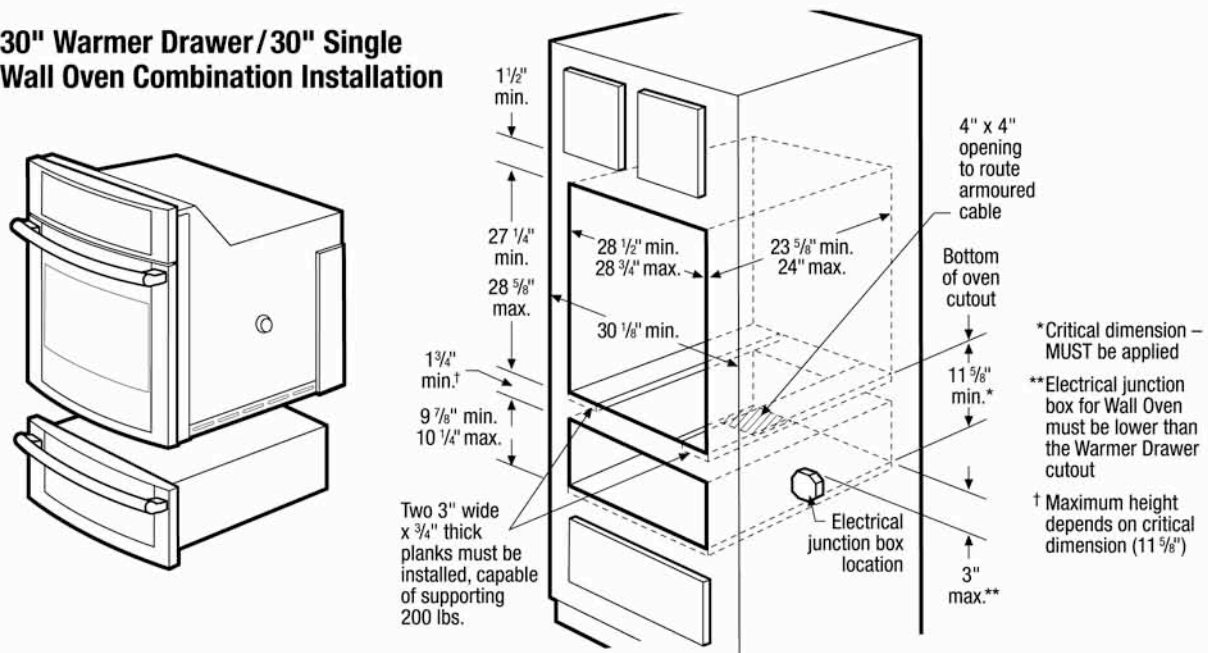
30" Warmer Drawer Specifications

- Product Weight – 55 Lbs.
- Voltage Rating – 120V/450W/60Hz/15 Amps
- Connected Load (kW Rating) @ 120 Volts = 0.45kW
(For use on adequately wired 120V, dedicated circuit having 2-wire service with a separate ground wire. Appliance must be grounded for safe operation.)
- Amps @ 120V = 3.75 Amps
- Recommended Circuit Breaker – 15 Amps

- 60" electrical cable supplied.
- Full plywood base required, capable of supporting 100 Lbs.
- Base must be level and cabinet front must be square.
- Warmer Drawer can be used alone, or is approved to be used in combination with any Electrolux Wall Oven. (Refer to *Combination Installation Specifications and drawing on this page.*)

Note: For planning purposes only. Refer to *Product Installation Guide on the web at electroluxappliances.ca or supplied with this product for detailed instructions.*

30" Warmer Drawer/30" Single Wall Oven Combination Installation



30" Warmer Drawer/30" Wall Oven Combination Specifications

- To support Wall Oven when using in combination with Warmer Drawer, two 3"-wide x 3/4" thick planks must be installed as a base, capable of supporting 150 Lbs. Do NOT use full base, since planks are necessary to allow for proper air displacement.

Note: For planning purposes only. Refer to *Product Installation Guide on the web at electroluxappliances.ca or supplied with this product for detailed instructions.*