

Gas Freestanding Range

EW3LGF65G S

Featuring Wave-Touch® Electronic Controls



Perfect Turkey® Button¹

Ensures moist, delicious poultry. Imagine stress-free holiday cooking.



Luxury-Glide® Oven Racks

With a ball bearing system, oven racks are so smooth they extend effortlessly.



Min-2-Max Burner®

Designed with a dual-flame sealed burner, this cooktop offers the widest range of BTU performance in the industry for the utmost versatility — from a roaring 16,000-BTU boil to a gentle 550-BTU simmer.



Perfect Pair Ovens®

Our ranges feature a large main oven and a second oven for the utmost cooking capacity. Use both simultaneously to cook two different items at two different temperatures.

30" GAS FREESTANDING RANGE (LP GAS ONLY)

Control Panel Features

Wave-Touch® Electronic Oven Control	Yes
Professional-Grade Burner Controls	Yes
Glass Front Display	Yes
Electronic Clock & Timer	Yes
Temperature Display	Yes
Automatic Oven (Delay, Cook & Off)	Yes

Cooktop Features

Min-2-Max Dual-Flame Sealed Burner® – 16,000 - 550 BTU	1
Sealed Power Burner – 12,000 BTU	1
Sealed Precision Burner – 8,000 BTU	2
Sealed Precision Burner – 4,500 - 750 BTU	1
Linear Flow Burner Valves	Yes
Seamless Cooktop	Yes
Continuous Grates with Deep-Well Top	3
Electric Pilotless Ignition	Yes

Oven Features

Capacity	5.1 Cu. Ft.
Hidden Bake Burner	Yes
Bake Burner – 16,000 BTU	Yes
Broil Burner – 12,500 BTU	Yes
Convection Burner – 200 Watts	Yes
Cobalt Blue Interior	Yes
Self-Clean Options with Door Lock	3
Perfect Convection ³ with Variable 2-Speed Fan	Yes
Cooking Modes – Bake, Broil, Convection Bake, Convection Roast, Keep Warm, Slow Cook	6
Baking Options – Perfect Turkey®, Defrost, Dehydrate, Bread Proof, My Favorites, Multi-Stage Cooking, Temperature Probe, Rapid Preheat, Delay Bake, Convection Convert	10
Luxury-Design® Lighting with Dual 40W Halogen Bulbs	Yes
Luxury-Glide® Racks	2
Conventional Racks	1
Convection Roasting Rack	Yes

Additional Features

Signature Soft-Arc Oven Door and Handle Design	Yes
Luxury-Hold™ Oven Door	Yes
Extra-Large Glass Window	Yes
Perfect Pair Lower Oven®	Yes
Fully Extendable Drawer Glides	Yes
Adjustable Leveling Legs	Yes
Sabbath Mode (Star-K® Certified)	Yes

Accessories

Porcelain Broiler Pan and Insert	Included
Grill/Griddle – PN# 318251611	Mail-In Card
Wok Ring – PN# 318254307	Optional
Simmer Plate – PN# 318254206	Optional

Specifications

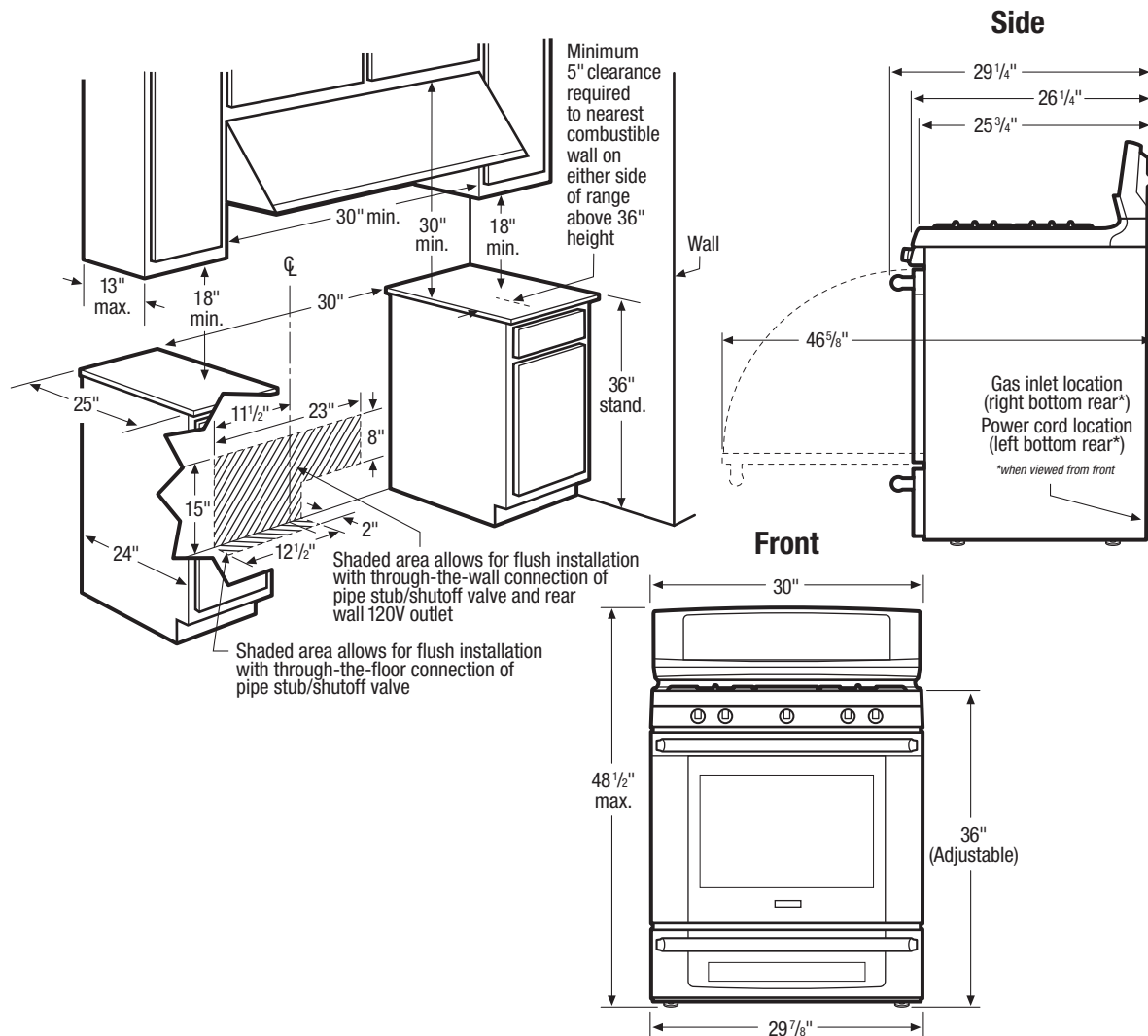
Color – Stainless Steel	S
Oven Cavity Dimensions –	
Height	18-5/8"
Width	24-5/16"
Depth	19-1/2"
Product Dimensions –	
Height	48-1/2" max.
Width	30"
Depth (to Center of Arc Including Rear Extrusion) (with 90° Door Open Including Rear Extrusion)	26-7/8" 46-5/8"
Gas Inlet/Power Cord Location	Right Bottom Rear/ Left Bottom Rear
Voltage Rating	120V/60Hz/15A
Connected Load (kW Rating) @ 120 Volts [†]	1.8
Shipping Weight (Approx.)	300 Lbs.

[†] For use on adequately wired 120V, dedicated circuit having 2-wire service with a separate ground wire. Appliance must be grounded for safe operation.

NOTE: Always consult local and national electric and gas codes. Refer to Product Installation Guide for detailed installation instructions on the web at electroluxappliances.com.

Specifications subject to change.

¹Select models only.



30" Gas Freestanding Range Specifications

- Product Weight – 260 Lbs.
- Voltage Rating – 120V/60Hz/15 Amps
- Connected Load (kW Rating) @ 120 Volts = 1.8kW
(For use on adequately wired 120V, dedicated circuit having 2-wire service with a separate ground wire. Appliance must be grounded for safe operation.)
- Amps @ 120 Volts = 15 Amps
- Always consult local and national electric and gas codes.
- Make sure wall coverings around range can withstand heat generated by range.
- Linoleum or any other synthetic floor covering located beneath range, must be capable of withstanding minimum heat of 90° F above room temperature without shrinking, warping or discoloring. Insulating pad or 1/4"-thick plywood required between range and a carpeted floor.
- Do not obstruct flow of combustion air at oven vent nor around base or beneath lower front panel of range. Range requires fresh air for proper burner combustion.
- Do not install range beneath any downward-blowing, overhead vent hood or air curtain.
- Range ships with 3/4" factory regulator.

- Range is LP Gas only and cannot be converted to natural gas.
- Floor beneath range MUST be solid and level.
- Overhead cabinetry should not exceed a 13" maximum depth.
- Absolute minimum horizontal distance between overhead cabinets installed to either side of appliance must be no less than maximum width of appliance.
- Range can be installed flush to wall with 0" minimum rear clearance.
- Minimum 5" clearance required from edge of rangetop to nearest combustible wall on either side of range above 36" height.
- To reduce risk of fire when using overhead cabinetry, install range hood that projects horizontally a recommended minimum of 5" beyond bottom of cabinets.
- Follow all dimension requirements provided to prevent property damage, potential fire hazard, and incorrect countertop and cabinet cuts.

Note: For planning purposes only. Refer to Product Installation Guide on the web at electroluxappliances.com for detailed instructions.

Optional Accessories

- Wok Ring – (PN# 318254307).
- Simmer Plate – (PN# 318254206).

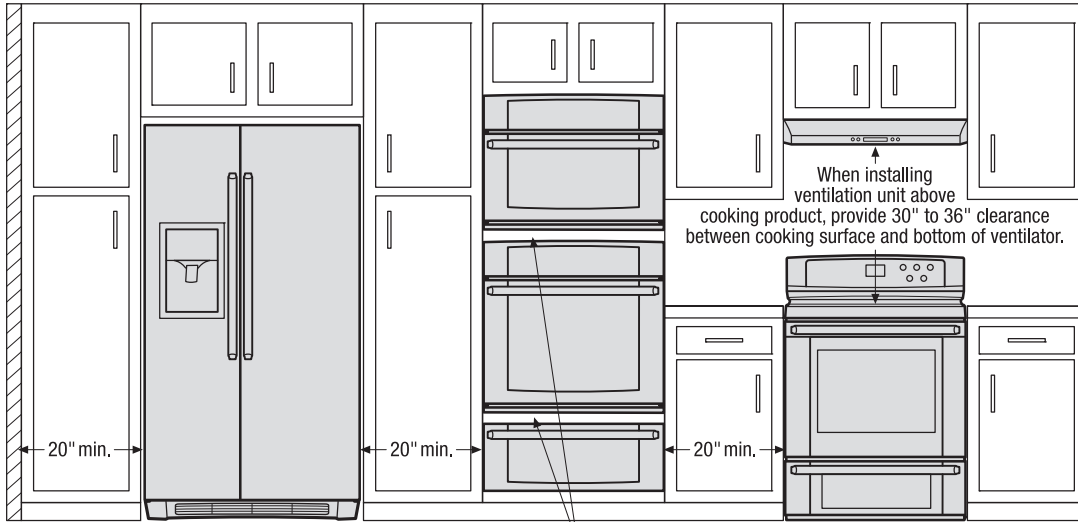
Electrolux Major Appliances, N.A.

USA • 10200 David Taylor Drive • Charlotte, NC 28262 • 1-877-4electrolux (1-877-435-3287) • electroluxappliances.com
 CANADA • 5855 Terry Fox Way • Mississauga, ON L5V 3E4 • 1-800-265-8352 • electroluxappliances.ca



Use these dimensions and clearance instructions for planning purposes only. For detailed installation instructions, refer to installation guide, packed with product, or on the web at electroluxappliances.com.

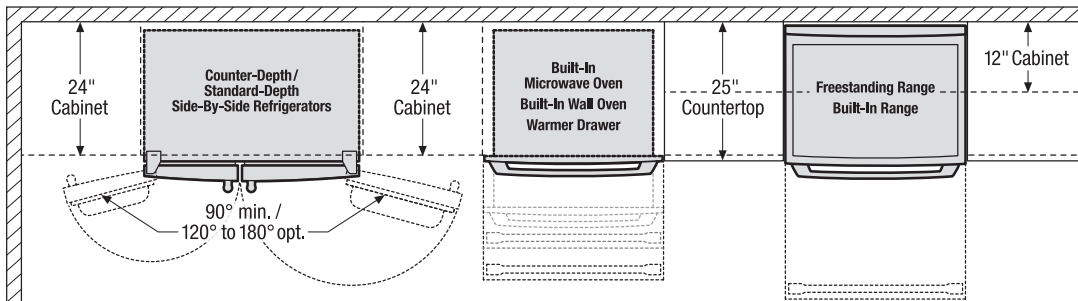
Front



When installing appliances adjacent to each other, 20" minimum distance between each appliance required.

When installing built-in cooking appliances in combination, 2" minimum visible gap between appliance faceplates required.

Top

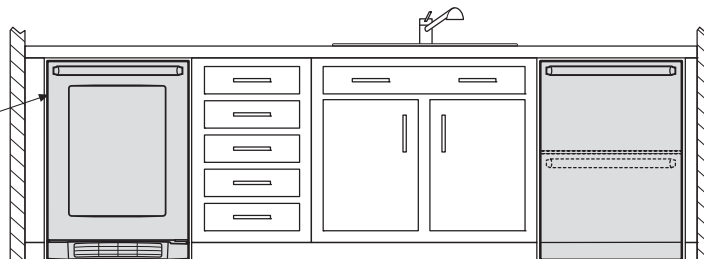


When installing refrigerator adjacent to wall, cabinet or another appliance that extends beyond front edge of unit, 20" minimum clearance recommended to allow for optimum 120° to 180° door swing, providing complete drawer/crisper access and removal.

When installing appliance with sliding drawer or drop-down door directly across from obstructions, provide sufficient clearance for drawer extension or door swing.

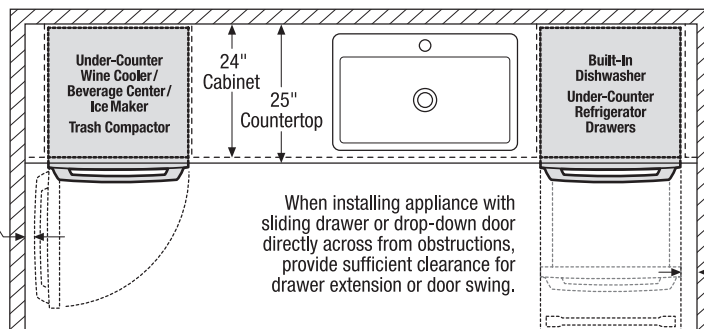
Front

To ensure optimum performance, avoid installing refrigeration appliances in direct sunlight or near heat source.



Top

When installing appliance with side-swung door adjacent to wall, cabinet, or other obstruction that extends beyond front edge of appliance, door swing and handle clearance must be sufficient to allow access to appliance interior.



When installing appliance with sliding drawer or drop-down door directly across from obstructions, provide sufficient clearance for drawer extension or door swing.

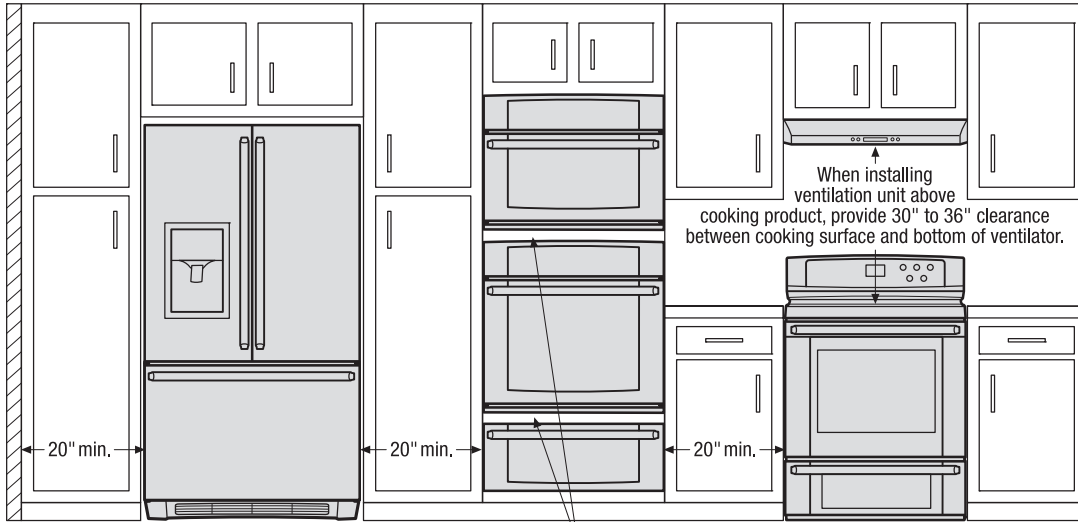
When installing appliance with sliding drawer or drop-down door adjacent to wall, cabinet, or other obstruction that extends beyond front edge of appliance, allow 2" minimum clearance between drawer or door and obstruction.

Electrolux Major Appliances, N.A.

USA • 10200 David Taylor Drive • Charlotte, NC 28262 • 1-877-4electrolux (1-877-435-3287) • electroluxappliances.com
 CANADA • 5855 Terry Fox Way • Mississauga, ON L5V 3E4 • 1-800-265-8352 • electroluxappliances.ca

Use these dimensions and clearance instructions for planning purposes only. For detailed installation instructions, refer to installation guide, packed with product, or on the web at electroluxappliances.com.

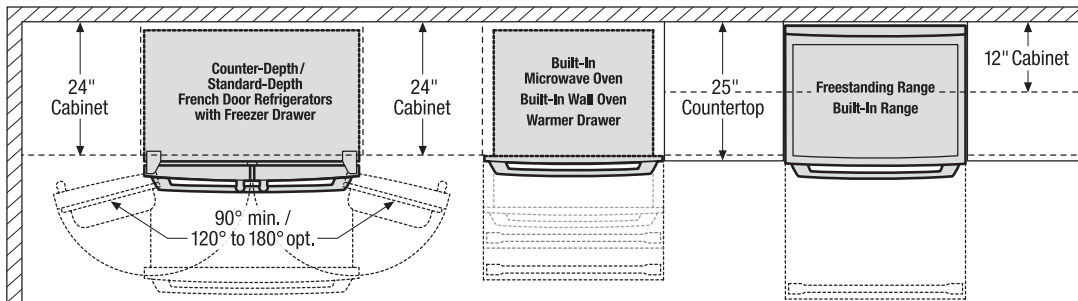
Front



When installing appliances adjacent to each other, 20" minimum distance between each appliance required.

When installing built-in cooking appliances in combination, 2" minimum visible gap between appliance faceplates required.

Top

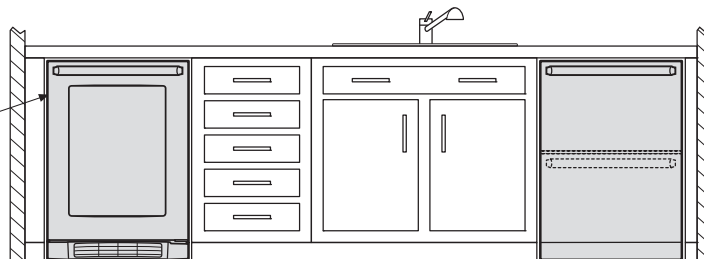


When installing refrigerator adjacent to wall, cabinet or another appliance that extends beyond front edge of unit, 20" minimum clearance recommended to allow for optimum 120° to 180° door swing, providing complete drawer/crisper access and removal.

When installing appliance with sliding drawer or drop-down door directly across from obstructions, provide sufficient clearance for drawer extension or door swing.

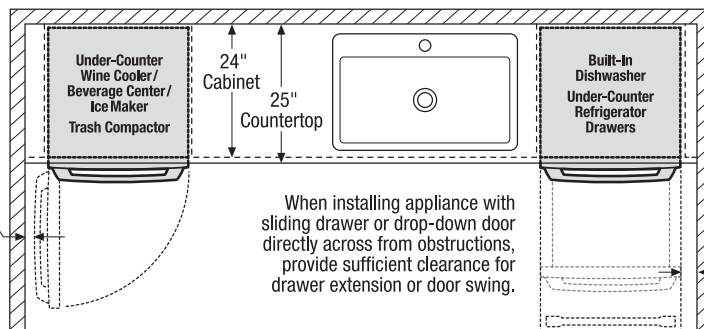
Front

To ensure optimum performance, avoid installing refrigeration appliances in direct sunlight or near heat source.



Top

When installing appliance with side-swing door adjacent to wall, cabinet, or other obstruction that extends beyond front edge of appliance, door swing and handle clearance must be sufficient to allow access to appliance interior.



When installing appliance with sliding drawer or drop-down door directly across from obstructions, provide sufficient clearance for drawer extension or door swing.

When installing appliance with sliding drawer or drop-down door adjacent to wall, cabinet, or other obstruction that extends beyond front edge of appliance, allow 2" minimum clearance between drawer or door and obstruction.

Electrolux Major Appliances, N.A.

USA • 10200 David Taylor Drive • Charlotte, NC 28262 • 1-877-4electrolux (1-877-435-3287) • electroluxappliances.com
 CANADA • 5855 Terry Fox Way • Mississauga, ON L5V 3E4 • 1-800-265-8352 • electroluxappliances.ca