

Microwave Combination Ovens

EW27MC65J S, EW27MC65J W, EW27MC65J B

Featuring Wave-Touch™ Electronic Controls



Wave-Touch™ Controls

One simple touch and the control panel activates, showing the virtually endless cooking options. After you make your choices, all but the option selected will fade away, returning to an elegant display.



Luxury-Glide® Oven Racks

With a ball bearing system, oven racks are so smooth they extend effortlessly.



Perfect Convection3®

Our convection technology features a third convection element for consistently even results, up to 30% faster cooking times and even more baking options.



Automatic Cooking Options

The microwave oven offers pre-programmed settings which include 12 Auto Cook options, 3 Auto Reheat options and 6 Auto Defrost options for your cooking flexibility.

27" BUILT-IN MICROWAVE COMBINATION OVENS

Microwave Features

Oven Cavity	1.5 Cu. Ft.
Watts	900
Oven Interior	Stainless Steel
Interior Krypton Light	Yes
Porcelain Enamel Turntable	Cobalt Blue

Microwave Control Panel Features

Wave-Touch™ Electronic Controls	Yes
Electronic Clock & Timer	Yes
Humidity Sensor	Yes
Power Levels	11
Touch Pad Controls	29
Auto Defrost Options	6
Auto Cook Options – Pizza Slice (1), Snacks (3), Kid's Meals (3), Soften/Melt (4), Beverage (1)	12
Auto Reheat Options – Breads/Muffins (2), Pasta/Casserole (1)	3
Sensor-Cook Options – Cook (5), Reheat (1), Popcorn (2), Baked Potato (1), Frozen Vegetables (1), Fresh Vegetables (2)	12
Multi-Stage Cooking Options	4
Add 30 Seconds	Yes
Adjustable Sound Level for Timers/Reminders	Yes

Oven Features

Oven Cavity	3.5 Cu. Ft.
Hidden Bake Element	Yes
Electric Bake Element / Convection Element – 1450W / 2500W	Yes / Yes
Six-Pass Broil Element – 3400 Watts	Yes
Oven Interior	Colbalt Blue
Self-Clean Options with Door Lock	3
Perfect Convection3® with Variable 2-Speed Fan	Yes
Cooking Modes – Bake, Broil, Convection Bake, Convection Roast, Convection Broil, Keep Warm, Slow Cook	7
Cooking Options – Perfect Turkey®, Defrost, Dehydrate, Bread Proof, My Favorites, Multi-Stage Cooking, Temperature Probe, Rapid Preheat, Delay Bake, Convection Convert	10
Luxury-Design® Lighting with Dual 40W Halogen Bulbs	Yes
Luxury-Glide® Racks/Conventional Racks	2 / 1
Convection Roasting Rack	Yes
Luxury-Hold™ Oven Door	Yes
Sabbath Mode (Star-K® Certified)	Yes

Oven Control Panel Features

Wave-Touch™ Electronic Oven Control	Yes
Keypad Entry of Time & Temperature	Yes
Electronic Clock, Timer & Temperature Display	Yes
Programmable for °F or °C	Yes
Automatic Oven (Delay, Cook & Off)	Yes
Lockout	Yes
Automatic Oven Shutoff – 12 Hour	Yes
Luxury-Design® Halogen Oven Light Touch Pad	Yes

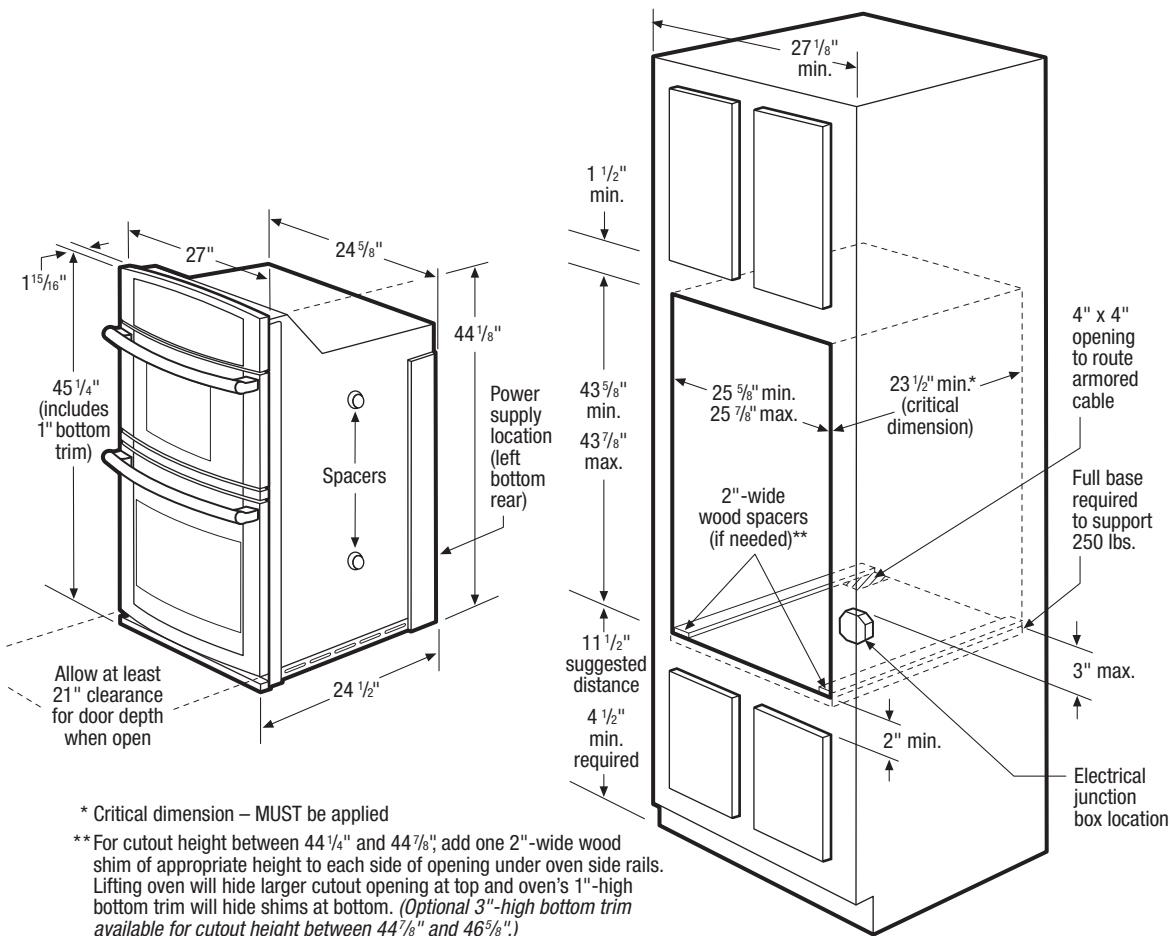
Accessories

Porcelain Broiler Pan and Insert	Included
3"-high Bottom Trim – See Back for Part Numbers	Optional

Specifications

Color –	Stainless Steel / White / Black	S / W / B
Microwave Oven Cavity (HxWxD)	9-5/8" x 16-1/8" x 16-1/8"	
Oven Cavity (HxWxD)	16-1/2" x 20-1/2" x 18-1/32"	
Product Dimensions –		
Height (Including 1" Bottom Trim)	45-1/4"	
Width	27"	
Depth (to Front Door Corner) (with 90° Door Open)	24-1/2" 44"	
Power Supply Connection Location	Left Bottom Rear	
Connected Load (kW Rating) @ 240/208 Volts	7.1/6.1	
Amps @ 240/208 Volts	30/30	
Minimum Circuit Required (Amps)	40	
Shipping Weight (Approx.)	250	

NOTE: Always consult local and national electric codes. Refer to Product Installation Guide for detailed installation instructions on the web at electroluxappliances.com. Specifications subject to change.



27" Microwave Combination Oven Specifications

- Product Weight – 230 Lbs.
- Single phase 3- or 4-wire cable, 120/240 or 120/208 Volt, 60 Hertz AC only electrical supply with ground required on separate circuit fused on both sides of line.
- Connected Load (kW Rating) @ 240/208 Volts = 7.1/6.1 kW
- Amps @ 240/208 Volts = 30/30 Amps
- Recommended Circuit Breaker – 40 Amps
- Always consult local and national electric codes.
- Minimum 21" clearance for oven door depth when open.
- Suggested distance from floor is 11-1/2". Minimum required distance is 4-1/2".
- To adapt Microwave Combination Oven to fit cutout height between 44-1/4" and 44-7/8", add one 2"-wide wood shim of appropriate height to each side of opening under oven side rails. Lifting oven will hide larger cutout opening at top and oven's 1"-high bottom trim will hide shims at bottom. (Standard 1"-High Bottom Trim included.)

- To adapt Microwave Combination Oven to fit cutout height between 44-7/8" and 46-5/8", optional 3"-High Bottom Trim available.
- Minimum 23-1/2" deep cutout dimension is critical for proper installation, to ensure that oven's faceplate will fit flush against cabinet front.
- Full oven base of solid plywood or similar material required, capable of supporting 250 Lbs.
- Base must be level and cabinet front must be square.
- Microwave Combination Oven is NOT approved to be used in stackable or side-by-side installation.

Note: For planning purposes only. Refer to Product Installation Guide on the web at electroluxappliances.com for detailed instructions.

Optional Accessories

- 3"-High Bottom Trim: S – (PN# 903114-9020), W – (PN# 903114-9011), B – (PN# 903114-9010).