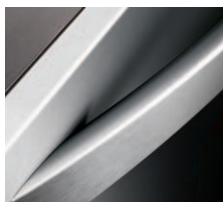


Built-In Dishwasher

EDW7505HSS designer series



Shown with custom door panel and handle installed (not included).



Luxury-Quiet™ Dishwasher

Cleans dishes so quietly, you'll never notice it's on.



Smooth-Glide™ Racks

Racks smoothly extend with the touch of a finger for effortless access.



Integrated Wave-Touch™ Controls

Our control panel is thoughtfully located at the top of the door, leaving you with a clean look that fits any style.



Luxury-Clean™ Technology

Our advanced cleaning technology automatically adjusts the cycle based on your cleaning needs.

BUILT-IN DISHWASHER

FEATURES

Stainless Steel Interior	Yes
Luxury-Hold™ Door	Yes
Custom-Set™ Options	Yes
Integrated Wave-Touch™ Controls	Yes
Easy-Clean Pushbuttons	9
LED Indicator Lights	Yes
Tall Tub Design	Yes
Luxury-Clean™ Technology	Yes
Luxury-Quiet™ Sound Package	Yes
Wash Levels	5
AquaLux™ Wash System	Yes
Luxury-Dry™ System	Yes
Adjustable Rinse Aid Dispenser with Indicator	Yes
Panel Ready*	Yes
ENERGY STAR®	Yes

CYCLES

Auto Wash	Yes
Normal	Yes
Eco Wash	Yes
Perfect Stemware™	Yes
Cookware	Yes

OPTIONS

Air Dry	Yes
NSF® Certified Sanitize Option	Yes
Delay Start	1-24 Hours

RACK SYSTEM

Custom-Fit™ Rack System	Yes
Upper Rack –	Smooth-Glide™
Adjustable Height	Yes
Cup Clips	4
Cup Shelf/Stemware Holder	2
Fold-Down Tines	4 Rows
Rack Handle	Yes
Versa-Tray™	Yes
Lower Rack –	Smooth-Glide™
Fold-Down Tines	6 Rows
Knife Holder	Yes
Utility Tray/Shelf	Yes
Stemware/Champagne Glass Holders	4
Silverware Basket	4-Piece Split
Special Items Cover/Mesh Small Items Bag	Yes

SPECIFICATIONS

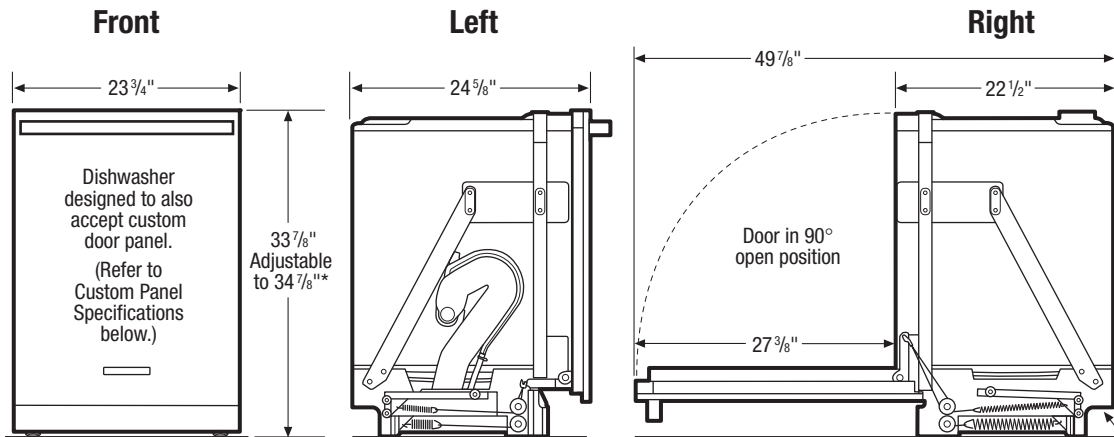
Overall Exterior Dimensions –	
Height (Adjustable)	33-7/8" – 34-7/8"
Width	23-3/4"
Depth (Including Door) (with 90° Door Open)	24-5/8" 49-7/8"
Power Supply/Water Inlet Location	Middle Bottom Rear
Leveling Legs	Yes
Water Usage (Gallons) – Normal Cycle	4.9 – 8.5
Water Pressure (PSI)	15 – 120
Integral Air Gap on Supply	Yes
Voltage Rating	120V/60Hz/15A
Connected Load (kW Rating) @ 120 Volts‡	1.44
Amps @ 120 Volts	9
Shipping Weight (Approx.)	115 Lbs.

* Dishwasher designed to also accept custom door panel to match with custom cabinetry. (Refer to Custom Panel Specifications.)

‡ For use on adequately wired 120V, dedicated circuit having 2-wire service with a separate ground wire. Appliance must be grounded for safe operation.

NOTE: Always consult local and national electric and plumbing codes. Refer to Product Installation Guide for detailed installation instructions on the web at electroluxicon.com.

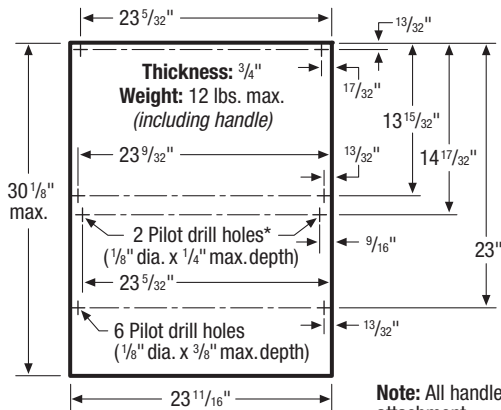
Specifications subject to change.



*Height only adjustable to 34^{11/16}" max. when installed in 35" max. standard cabinetry cutout

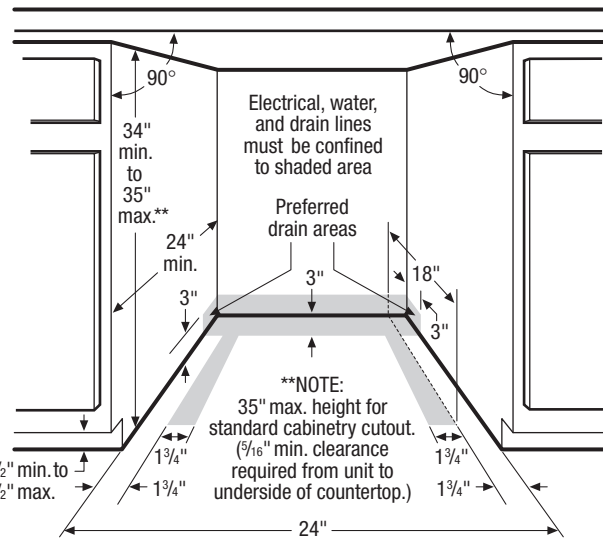
Custom Panel Specifications

Refer to web for detailed door panel construction and installation instructions.



*Optional holes for adding 1/2"- #7 screws which slip into rectangular openings of metal panel to help locate custom door panel for other outside screw attachment

Note: All handle attachment screws must be flush/recessed below panel surface.



Built-In Dishwasher Specifications

- Product Weight – 93 Lbs.
- Voltage Rating @ 120V/60 Hz/15 Amps
- Connected Load (kW Rating) @ 120 Volts = 1.44kW
(For use on adequately wired 120V, dedicated circuit having 2-wire service with a separate ground wire. Appliance must be grounded for safe operation.)
- Amps @ 120V = 9 Amps
- Always consult local and national electric & plumbing codes. Meets requirements of ASSE 1006.
- Water Pressure – Hot water line to dishwasher must provide between 15 and 120 pounds per square inch (psi).
- Make sure location has right drain, water and electrical outlets to make connections.
- Keep back free of drain, water & electrical supply.
- Electrical and water supplies should enter cabinet opening on floor, or through back or side walls, as shown in shaded areas.
- Connections preferably located toward left side of dishwasher. Do not cross drain, water or electrical lines in front of motor, blower or frame.
- Minimum clearance of 5/16" required from unit to underside of countertop.

- Leveling legs supplied to adjust height. (Note: Height only adjustable to 34-11/16" max. when installed in 35" max. standard cabinetry cutout to allow for 5/16" min. clearance.)
- When installing adjacent to wall, cabinet or other obstruction that extends beyond front edge of unit, allow 2" minimum clearance between opened door and obstruction.
- When installing at end of cabinet line, sides must be fully enclosed.
- Do not install unit under a cooktop, damage may occur.
- Dishwasher designed to also accept custom door panel to match with custom cabinetry. (Refer to Custom Panel Specifications on this page.)

Custom Panel Specifications

- Panel Dimensions – 30-1/8"H max. x 23-11/16"W x 3/4"D
- Panel Weight – 12 Lbs. max (including handle)
- Refer to web for detailed custom panel construction and installation instructions.

Note: For planning purposes only. Refer to Product Installation Guide on the web at electroluxicon.com for detailed instructions.