

# Under-Counter Wine Cooler

EI24WC65G S



### Integrated Electronic Controls

Reversible side-swing door with integrated electronic controls located conveniently on the top of the door ensure this unit will fit anywhere.



### Luxury-Glide™ Racks

With a ball bearing system, racks are so smooth they extend effortlessly.



### 46-Bottle Capacity

Large interior preserves up to 46 bottles of wine under optimum chilling and serving conditions.



### UV-Filtered Glass Door

Tinted window helps protect wine's flavor from deterioration caused by harmful UV rays.

## 24" UNDER-COUNTER SIDE-SWING WINE COOLER

|                                  |                       |
|----------------------------------|-----------------------|
| Sabbath Mode (Star-K® Certified) | Yes                   |
| Capacity                         | 6 Cu. Ft.             |
| Maximum Storage                  | 46 Bottles            |
| Installation Type                | Built In/Freestanding |

### Features

|                                      |     |
|--------------------------------------|-----|
| IQ-Touch™ Electronic Controls        | Yes |
| Fully Integrated Control Panel       | Yes |
| Electronic Control Lock              | Yes |
| Blue LED Display                     | Yes |
| Frost-Free Performance               | Yes |
| Dynamic Condenser                    | Yes |
| PureAdvantage™ Air Filter            | Yes |
| Perfect Set™ Controls                | Yes |
| Display Temp Mode (°C or °F)         | Yes |
| Door Open Acoustic Alarm             | Yes |
| High-Temperature Acoustic Alarm      | Yes |
| Power Failure Acoustic Alarm         | Yes |
| Mute Sound Control                   | Yes |
| Luxury-Design™ Lighting              | Yes |
| Exhibit Lighting with Manual Control | Yes |
| Power-On/Off Control                 | Yes |
| Vacation Mode                        | Yes |
| Luxury-Glide™ Full-Extension Racks   | 5   |
| Lower Level Display Rack             | Yes |
| Black Soft Coat Wireform Racks       | Yes |
| Metal Front on Racks                 | Yes |

### Additional Features

|   |     |
|---|-----|
| Signature Soft-Arc Door and Handle Design | Yes |
| UV-Filtered, Tinted Glass Window          | Yes |
| Luxury-Close™ Door                        | Yes |
| Adjustable Leveling Legs                  | 4   |

### Accessories

|  |          |
|--|----------|
| Field-Reversible Door Kit – 5303918374 | Optional |
|--|----------|

### Specifications

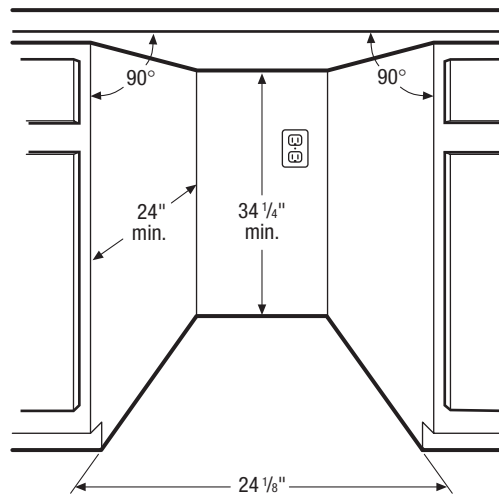
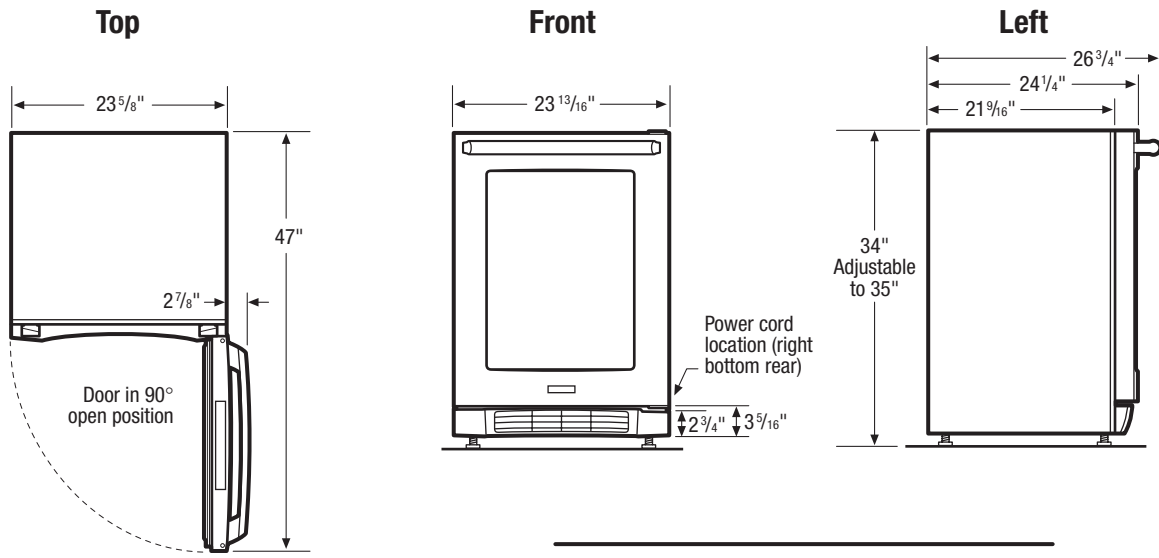
|  |                   |   |
|--|-------------------|---|
| Color –  | Stainless Steel   | S |
| Overall Exterior Dimensions –                    |                   |   |
| Height (Adjustable)                              | 34" – 35"         |   |
| Width  | 23-13/16"         |   |
| Depth (to Center of Arc)<br>(with 90° Door Open) | 24-1/4"<br>47"    |   |
| Temperature Range                                | 45° F-65° F       |   |
| Power Supply Connection Location                 | Right Bottom Rear |   |
| Voltage Rating                                   | 120V/60Hz/15A     |   |
| Connected Load (kW Rating) @ 120 Volts†          | 0.15              |   |
| Minimum Circuit Required (Amps)                  | 15                |   |
| Product Weight                                   | 128 Lbs.          |   |
| Shipping Weight (Approx.)                        | 137 Lbs.          |   |

Optional accessories available on the web at [electroluxappliances.com](http://electroluxappliances.com).

†For use on adequately wired 120V, dedicated circuit having 2-wire service with a separate ground wire. Appliance must be grounded for safe operation.

NOTE: Always consult local and/or national electric codes. Refer to Product Installation Guide for detailed installation instructions on the web at [electroluxappliances.com](http://electroluxappliances.com).

Specifications subject to change.



## Under-Counter Wine Cooler Specifications

- Product Weight – 128 Lbs.
- Voltage Rating – 120V/60 Hz/15 Amps
- Connected Load (kW Rating) @ 120 Volts = 0.15kW (For use on adequately wired 120V, dedicated circuit having 2-wire service with a separate ground wire. Appliance must be grounded for safe operation.)
- Amps @ 120 Volts = 6 Amps
- Electrical cable supplied.
- Always consult local and/or national electric codes.
- Can be used freestanding, or built in under counter.
- Does not require additional airspace for top, sides or rear when used in built-in application. Increase unit dimensions by at least 1/4" for recommended rough opening.
- Front grille MUST remain unobstructed for proper ventilation.
- Must be positioned on flat, level surface, capable of supporting entire weight when fully loaded.

- Leveling legs supplied to adjust height and level unit.
- Do not position unit near any heat source to ensure optimum performance.
- Must be positioned to allow for 90° door swing, providing sliding shelves with necessary clearance. (Door is field reversible for right- or left-hand opening.)
- When installing next to wall where handle may make contact, allow 3" clearance between opened door and wall.

**Note:** For planning purposes only. Refer to Product Installation Guide on the web at [electroluxappliances.com](http://electroluxappliances.com) for detailed instructions.

## Optional Accessories

- Field-Reversible Door Kit – (5303918374).