

Microwave Combination Oven

E30MC75JSS designer series



Wave-Touch® Controls

Sleek control panel illuminates with just a touch – giving you more control over your cooking – and fades away to an uncluttered display after an option is selected.



Smooth-Glide® Oven Racks

Ball bearing oven racks glide with unparalleled ease and extend fully for effortless access.



CustomConvect^{3™} Convection Technology

Distributes heat evenly throughout the oven by adding a third cooking element plus a variable speed fan.



Custom-Set™ Options with Temperature Probe

Seven cooking modes with eight cooking functions give you more cooking flexibility and control – and the temperature probe monitors the progress of your meat dishes.

30" BUILT-IN MICROWAVE COMBINATION OVEN

MICROWAVE FEATURES

Oven Cavity	1.5 Cu. Ft.
Watts	900
Stainless Steel Interior	Yes
Interior Krypton Light	Yes
Porcelain Enamel Turntable	Yes

MICROWAVE CONTROL OPTIONS

Wave-Touch® Electronic Controls	Yes
Cook-2-Perfection® Technology	Yes
Electronic Clock & Timer	Yes
Humidity Sensor	Yes
Power Levels	11
Touch Pad Controls	37
Auto Start	Yes
Auto Defrost Options	6
Automatic Cooking Options –	
Pizza Slice (1), Snacks (3), Kid's Meals (3)	
Soften/Melt (4), Beverage (1)	12
Convection Cook Categories –	
Auto Broil (4), Auto Roast (4), Auto Bake (4)	12
Auto Reheat Categories –	
Breads/Muffins (2), Pasta (1)	3
Auto Sensor Cooking –	
Cook (5), Reheat (1), Popcorn (2), Baked Potato (1),	
Frozen Vegetables (1), Fresh Vegetables (2)	12
Stage Cooking Options	4
Add 30 Seconds	Yes
Electronic Lockout	Yes
Adjustable Sound Level for Timers/Reminders	Yes
More/Less Function	Yes
Power Failure Indicator	Yes

OVEN FEATURES

Oven Cavity	4.2 Cu. Ft.
Cobalt Blue Interior	Yes
Smooth-Glide® Racks/Standard Racks	3/1
CustomConvect ^{3™} Convection System	Yes
Dual-Halogen Theatre Lighting	Yes
Removable Cool-Touch™ Oven Door with Extra-Large Window	Yes
"My Favorite" Settings	Yes
Convection Conversion	Yes
Custom-Set™ Options with Temperature Probe	Yes
Light Clean/Heavy Clean	Yes
Self-Cleaning with Auto-Safety Latch™	Yes
Self-Cleaning Cycle with Rack Removal Alert	Yes
Dual Radiant™ Baking System	Yes
Eight-Pass Broil & Radiant Bake Element	Yes
Sabbath Mode (Star-K® Certified)	Yes

OVEN CONTROLS

Wave-Touch™ Electronic Controls	Yes
Electronic Clock/Timer/Temperature Display	Yes
Automatic Oven – Delay, Cook & Off	Yes
Electronic Lockout	Yes
Automatic Oven Shutoff – 12 Hour	Yes
Integrated Halogen Oven Light – Touch Pad	Yes

SPECIFICATIONS

Microwave Oven Interior (HxWxD)	9-5/8" x 16-1/8" x 16-1/8"
Oven Interior (HxWxD)	16-1/2" x 24-1/8" x 18-1/32"
Product Dimensions –	
Height	46-5/8"
Width	30"
Depth (Including Door)	24-5/8"
Power Supply Connection Location	Left Bottom Rear
Connected Load (kW Rating) @ 240/208 Volts1	7.1/6.1
Amps @ 240/208 Volts	30/30
Minimum Circuit Required (Amps)	40
Shipping Weight (Approx.)	250

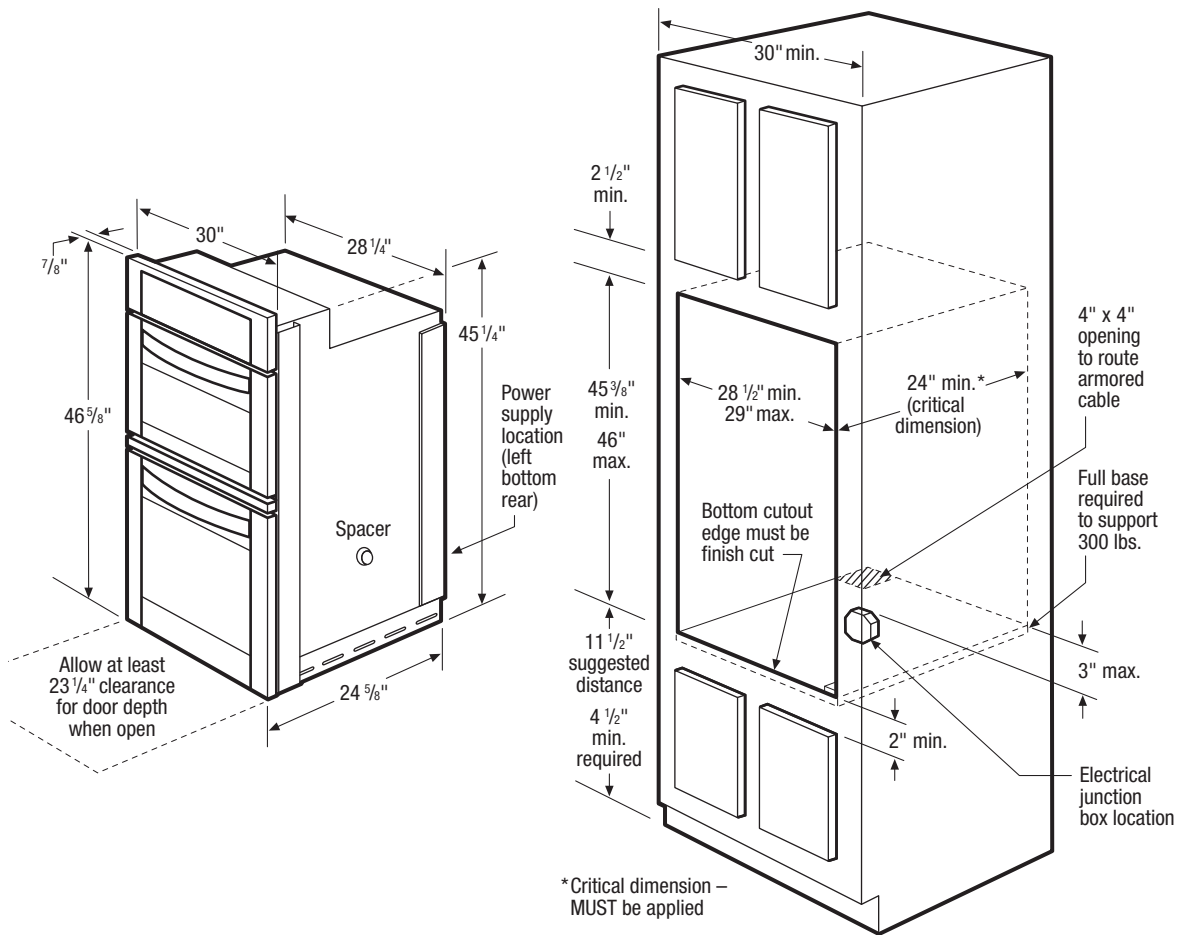
NOTE: Always consult local and national electric codes. Refer to Product Installation Guide for detailed installation instructions on the web at electroluxicon.com.

Specifications subject to change.

Microwave Combination Oven

E30MC75JSS designer series

Electrolux | ICON®



30" Built-In Microwave Combination Oven Specifications

- Product Weight – 240 Lbs.
- Single phase 3- or 4-wire cable, 120/240 or 120/208 Volt, 60 Hertz AC only electrical supply with ground required on separate circuit fused on both sides of line.
- Connected Load (kW Rating) @ 240/208 Volts = 7.1/6.1 kW
- Amps @ 240/208 Volts = 30/30 Amps
- Recommended Circuit Breaker – 40 Amps
- Always consult local and national electric codes.
- Minimum 23-1/4" clearance for oven door depth when open.
- Suggested distance from floor is 11-1/2". Minimum required distance is 4-1/2".

- Minimum 24" deep cutout dimension is critical for proper installation, to ensure that oven's faceplate will fit flush against cabinet front.
- Full oven base of solid plywood or similar material required, capable of supporting 300 Lbs.
- Base must be level and cabinet front must be square.
- Microwave Combination Oven is NOT approved to be used in stackable or side-by-side installation.

Note: For planning purposes only. Refer to Product Installation Guide on the web at electroluxicon.com for detailed instructions.

Electrolux Major Appliances, N.A.

USA • 10200 David Taylor Drive • Charlotte, NC 28262 • 1-877-4electrolux (1-877-435-3287) • electroluxicon.com
 CANADA • 5855 Terry Fox Way • Mississauga, ON L5V 3E4 • 1-800-265-8352 • electroluxicon.ca

E30MC75JSS 04/11

© 2011 Electrolux Home Products, Inc.

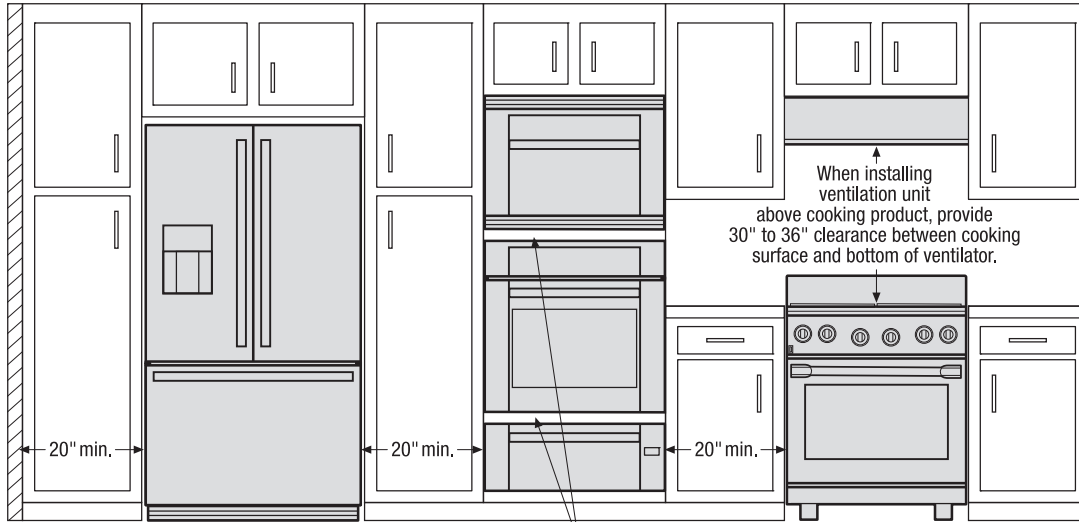


High standards of quality at Electrolux Home Products, Inc. mean we are constantly working to improve our products. We reserve the right to change specifications or discontinue models without notice.

Printed in the U.S.A.

Use these dimensions and clearance instructions for planning purposes only. For detailed installation instructions, refer to installation guide, packed with product, or on the web at electroluxicon.com.

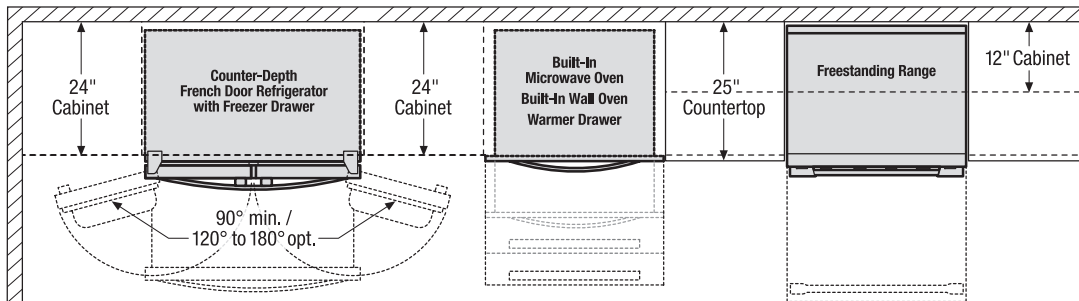
Front



When installing appliances adjacent to each other, 20" minimum distance between each appliance required.

When installing built-in cooking appliances in combination, 2" minimum visible gap between appliance faceplates required.

Top

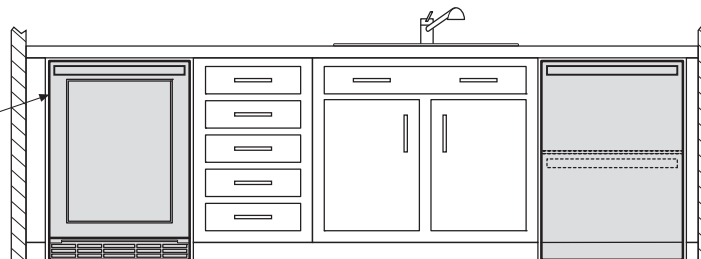


When installing refrigerator adjacent to wall, cabinet or another appliance that extends beyond front edge of unit, 20" minimum clearance recommended to allow for optimum 120° to 180° door swing, providing complete drawer/crisper access and removal.

When installing appliance with sliding drawer or drop-down door directly across from obstructions, provide sufficient clearance for drawer extension or door swing.

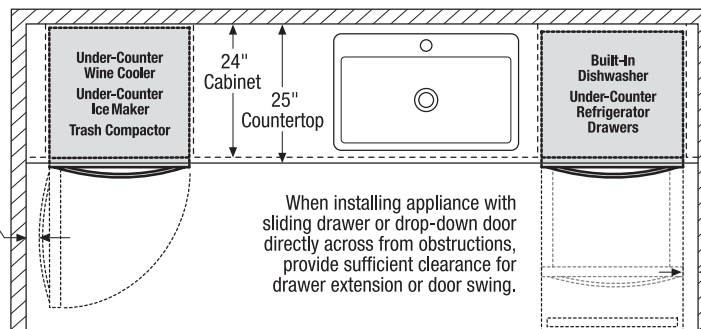
Front

To ensure optimum performance, avoid installing refrigeration appliances in direct sunlight or near heat source.



Top

When installing appliance with side-swing door adjacent to wall, cabinet, or other obstruction that extends beyond front edge of appliance, door swing and handle clearance must be sufficient to allow access to appliance interior.



When installing appliance with sliding drawer or drop-down door directly across from obstructions, provide sufficient clearance for drawer extension or door swing.

When installing appliance with sliding drawer or drop-down door adjacent to wall, cabinet, or other obstruction that extends beyond front edge of appliance, allow 2" minimum clearance between drawer or door and obstruction.

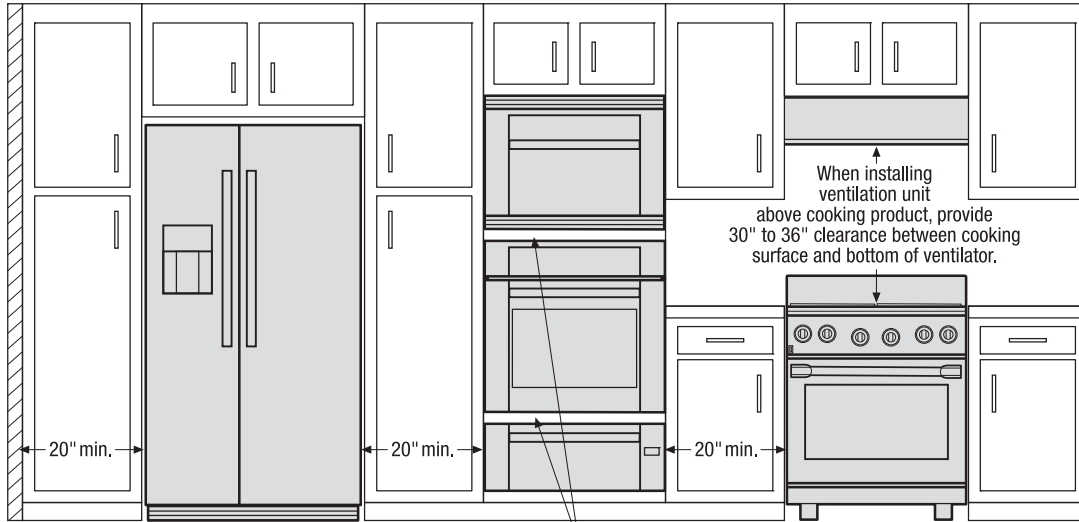
Electrolux Major Appliances, N.A.

USA • 10200 David Taylor Drive • Charlotte, NC 28262 • 1-877-4electrolux (1-877-435-3287) • electroluxicon.com
CANADA • 5855 Terry Fox Way • Mississauga, ON L5V 3E4 • 1-800-265-8352 • electroluxicon.ca

High standards of quality at Electrolux Home Products, Inc. mean we are constantly working to improve our products. We reserve the right to change specifications or discontinue models without notice.

Use these dimensions and clearance instructions for planning purposes only. For detailed installation instructions, refer to installation guide, packed with product, or on the web at electroluxicon.com.

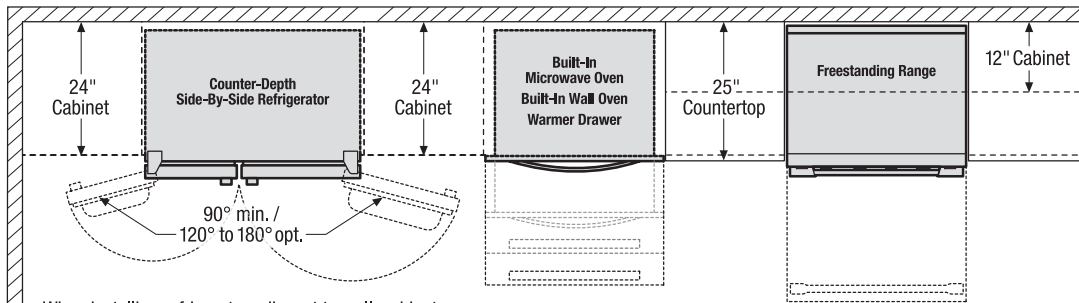
Front



When installing appliances adjacent to each other, 20" minimum distance between each appliance required.

When installing built-in cooking appliances in combination, 2" minimum visible gap between appliance faceplates required.

Top

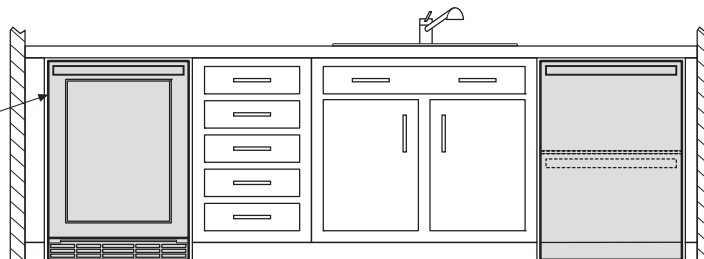


When installing refrigerator adjacent to wall, cabinet or another appliance that extends beyond front edge of unit, 20" minimum clearance recommended to allow for optimum 120° to 180° door swing, providing complete drawer/crisper access and removal.

When installing appliance with sliding drawer or drop-down door directly across from obstructions, provide sufficient clearance for drawer extension or door swing.

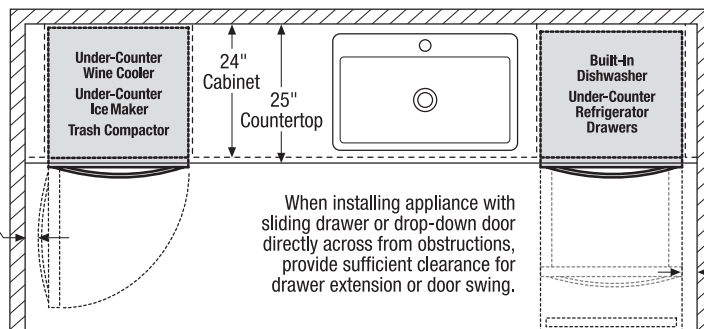
Front

To ensure optimum performance, avoid installing refrigeration appliances in direct sunlight or near heat source.



Top

When installing appliance with side-swing door adjacent to wall, cabinet, or other obstruction that extends beyond front edge of appliance, door swing and handle clearance must be sufficient to allow access to appliance interior.



When installing appliance with sliding drawer or drop-down door adjacent to wall, cabinet, or other obstruction that extends beyond front edge of appliance, allow 2" minimum clearance between drawer or door and obstruction.

Electrolux Major Appliances, N.A.

USA • 10200 David Taylor Drive • Charlotte, NC 28262 • 1-877-4electrolux (1-877-435-3287) • electroluxicon.com
CANADA • 5855 Terry Fox Way • Mississauga, ON L5V 3E4 • 1-800-265-8352 • electroluxicon.ca

High standards of quality at Electrolux Home Products, Inc. mean we are constantly working to improve our products. We reserve the right to change specifications or discontinue models without notice.