



# High-Speed Oven

E30S075FPS professional series



### High-Speed Oven

High-Speed Oven provides the utmost in versatility combining high-speed oven technology with the convenience of both a microwave oven and conventional oven to meet your cooking needs.



### High-Speed Cooking Options

Versatile options including Speed Bake, Speed Roast and Speed Grill using high-speed oven technology for superior results.



### Wave-Touch® Controls

Sleek control panel illuminates with just a touch and fades away after an option is selected.



### Versatile Cooking Settings

With 84 basic cook settings, 100 preprogrammed and modifiable recipes and 17 microwave options, this high-speed oven is almost like having a personal chef.

### 30" HIGH-SPEED OVEN

Oven Cavity	1.1 Cu. Ft.
Watts (IEC-705 Test Procedure)	1000
Oven Interior	Stainless Steel
Interior Light	Yes
Porcelain Enamel Turntable Diameter	13"

### CONTROL PANEL FEATURES

Electronic Clock & Timer	Yes
Glass Wave-Touch® Controls with Blue LED Display	Yes
Automatic Settings –	
Basic Cook	84
Recipes	100
Microwave Options	17
Speed Bake	Yes
Speed Roast	Yes
Speed Grill	Yes
Convection Cooking Options	10

### POWER RATINGS

Microwave (kW/Amps)	1.7/7.5
Convection (kW/Amps)	3.1/13
Speed Cooking (kW/Amps)	3.2/13.5
Voltage Rating	240V/60Hz/15 or 20A
Connected Load (kW Rating) @ 240 Volts	3.3

### ACCESSORIES

Cookbook	Included
High and Low Racks	Included
Pizza Pan	Included
Easy Reference Guide	Included

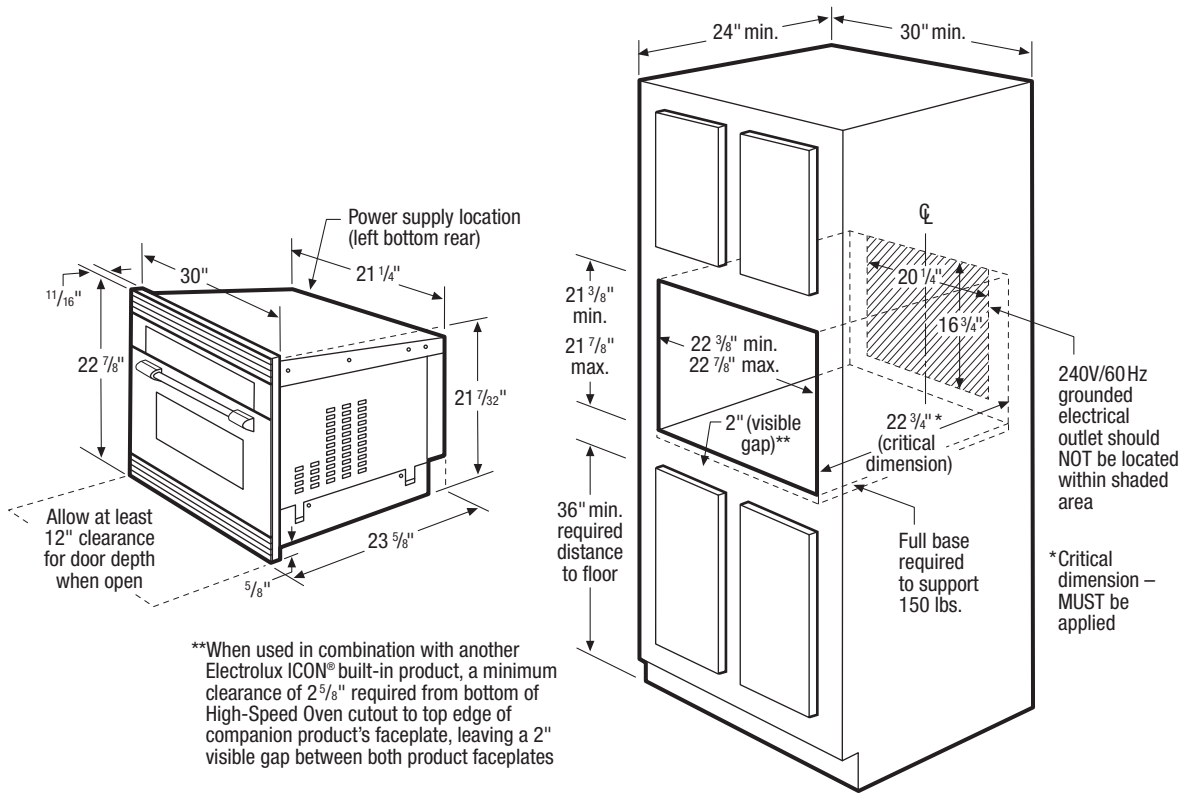
### SPECIFICATIONS

Oven Cavity Dimensions –	
Height	9"
Width	16"
Depth	13-1/2"
Overall Exterior Dimensions –	
Height	22-7/8"
Width	30"
Depth	23-5/8"
Power Supply Location	Left Bottom Rear
Approved for Single Oven Combination Installation*	Yes
Shipping Weight (Approx.)	119 Lbs.

\*Approved to be used in combination with any Electrolux ICON® Single Wall Oven and/or Warmer Drawer.

NOTE: Always consult local and national electric codes. Refer to Product Installation Guide for detailed installation instructions on the web at [electroluxicon.com](http://electroluxicon.com).

Specifications subject to change.



\*\*When used in combination with another Electrolux ICON® built-in product, a minimum clearance of 2 5/8" required from bottom of High-Speed Oven cutout to top edge of companion product's faceplate, leaving a 2" visible gap between both product faceplates

### 30" High-Speed Oven Specifications

- Product Weight – 115 Lbs.
- Voltage Rating –240V/ 60Hz/ 15 or 20 Amps
- Single phase 3- or 4-wire cable, 240 Volt, 60 Hertz AC only electrical supply with ground required on separate circuit fused on both sides of line.
- Connected Load (kW Rating) @ 240 Volts = 3.3kW
- Amps @ 240 Volts = 13.2 Amps
- Oven has a 6-15 plug, requiring a 6-15 receptacle.
- Always consult local and national electric codes.
- Allow at least 12" clearance for oven door depth when open.
- Minimum 22-3/4" deep cutout dimension is critical for proper installation, to ensure that oven's faceplate will fit flush against cabinet front.
- Full oven base of solid plywood or similar material required, capable of supporting 150 Lbs.

- Base must be level and cabinet front must be square.
- Grounded outlet should NOT be located in shaded area, as indicated.
- High-Speed Oven is NOT approved to be used under counter.
- High-Speed Oven can be built in alone or is approved to be used in combination with any Electrolux ICON® Single Wall Oven and/or Warmer Drawer. (Refer to model-specific Combination Installation Specification pages on web.)
- When used in combination with another Electrolux ICON® built-in product, a minimum clearance of 2-5/8" required from bottom of High-Speed Oven cutout to top edge of companion product's faceplate, leaving a 2" visible gap between both product faceplates.

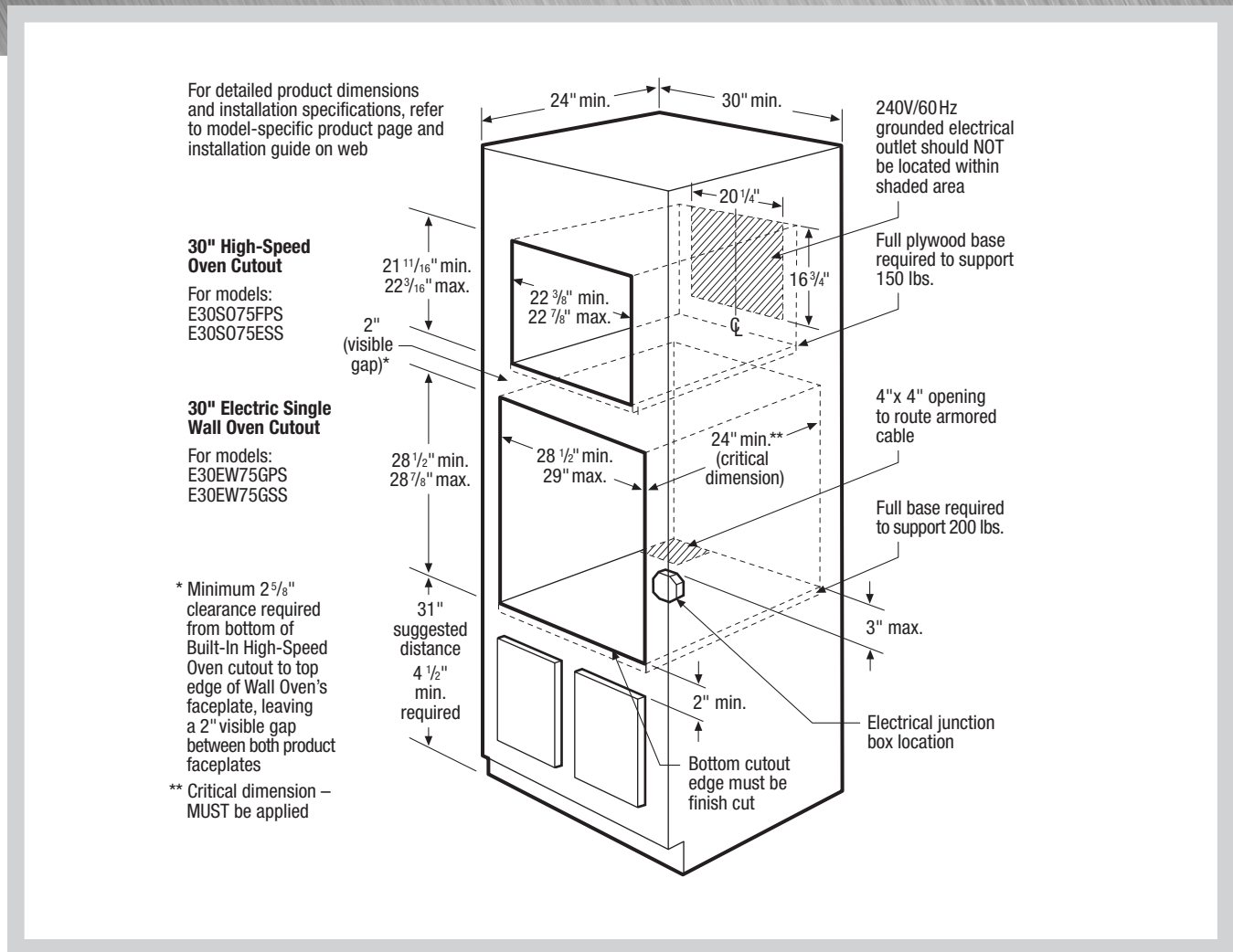
**Note: For planning purposes only. Refer to Product Installation Guide on the web at [electroluxicon.com](http://electroluxicon.com) for detailed instructions.**

### Electrolux Major Appliances, N.A.

USA • 10200 David Taylor Drive • Charlotte, NC 28262 • 1-877-4electrolux (1-877-435-3287) • [electroluxicon.com](http://electroluxicon.com)  
 CANADA • 5855 Terry Fox Way • Mississauga, ON L5V 3E4 • 1-800-265-8352 • [electroluxicon.ca](http://electroluxicon.ca)



# 30" Combination Installation – High-Speed Oven/Single Wall Oven



## 30" Combination Installation Specifications

- Always consult local and national electric codes. (Refer to product-specific electrical specifications on this page.)
- Minimum 24" deep cutout dimension is critical for proper combination installation, to ensure that each built-in product's faceplate will fit flush against cabinet front.
- Bases must be level and cabinet front must be square.
- Minimum 4-1/2" required distance from bottom of Wall Oven cutout to floor, 31" suggested.
- Respect critical dimensions as noted for proper installation of built-in products.
- Minimum 23-1/4" clearance needed for Wall Oven door depth when open.

## 30" High-Speed Oven Specifications

- Product Weight – (E30SO75FPS/E30SO75ESS) 115 Lbs.
- Voltage Rating – 240V/60 Hz/15 or 20 Amps
- Single phase 3- or 4-wire cable, 240 Volt, 60 Hertz AC only electrical supply with ground required on separate circuit fused on both sides of line.
- Connected Load (kW Rating) @ 240 Volts = 3.3kW
- Amps @ 240 Volts = 13.2 Amps
- Full oven base of solid plywood or similar material required, capable of supporting 150 Lbs.
- Minimum 2-5/8" clearance required from bottom of High-Speed Oven cutout to top edge of Wall Oven's faceplate, leaving a 2" visible gap between both product faceplates.

## 30" Electric Single Wall Oven Specifications

- Product Weights – (E30EW75GPS) 178 Lbs. / (E30EW75GSS) 175 Lbs.
- Single phase 3- or 4-wire cable, 120/240 or 120/208 Volt, 60 Hertz AC only electrical supply with ground required on separate circuit fused on both sides of line.
- Connected Load (kW Rating) @ 240/208 Volts = 4.0/3.0kW
- Amps @ 240/208 Volts = 16.6/14.4 Amps
- Full oven base of solid plywood or similar material required, capable of supporting 200 Lbs.

**Note:** For planning purposes only. Refer to Product Installation Guide on the web at [electroluxicon.com](http://electroluxicon.com) for detailed instructions.

## Electrolux Major Appliances, N.A.

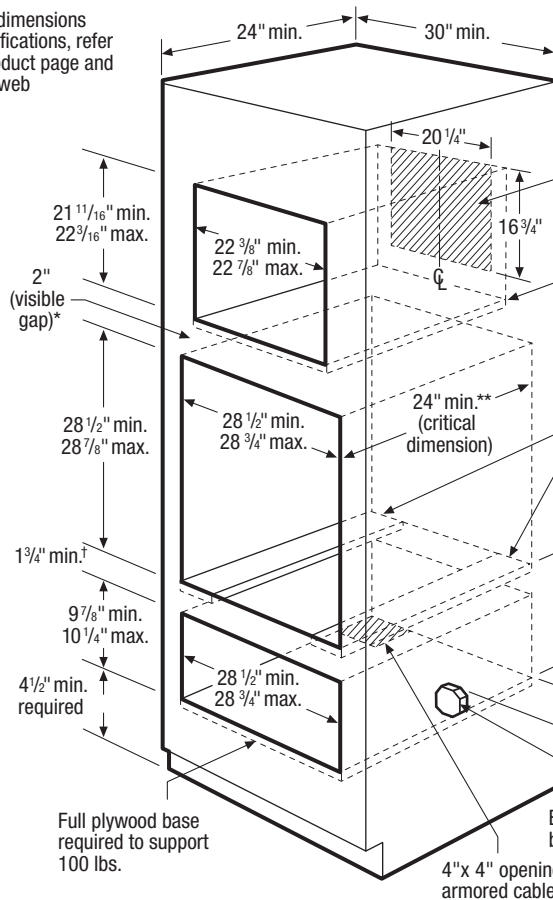
USA • 10200 David Taylor Drive • Charlotte, NC 28262 • 1-877-4electrolux (1-877-435-3287) • [electroluxicon.com](http://electroluxicon.com)  
CANADA • 5855 Terry Fox Way • Mississauga, ON L5V 3E4 • 1-800-265-8352 • [electroluxicon.ca](http://electroluxicon.ca)

# 30" Combination Installation – High-Speed Oven/Single Wall Oven/Warmer Drawer

For detailed product dimensions and installation specifications, refer to model-specific product page and installation guide on web

### 30" High-Speed Oven Cutout

For Models:  
E30S075FPS  
E30S075ESS



240V/60Hz grounded electrical outlet should NOT be located within shaded area

Full plywood base required to support 150 lbs.

Two 3" wide by 3/4" thick planks must be installed, capable of supporting 200 lbs.

Bottom of oven cutout

11 5/8" min.\*\* (critical dimension)

3" max.††

Electrical junction box location

4" x 4" opening to route armored cable

\* Minimum 2 5/8" clearance required from bottom of Built-In High-Speed Oven cutout to top edge of Wall Oven's faceplate, leaving a 2" visible gap between both product faceplates

\*\* Critical dimension – MUST be applied

† Maximum height depends on critical dimension (11 5/8")

†† Electrical junction box for Wall Oven must be lower than the Warmer Drawer cutout

Full plywood base required to support 100 lbs.

### 30" Combination Installation Specifications

- Always consult local and national electric codes. (Refer to product-specific electrical specifications on this page.)
- Minimum 24" deep cutout dimension is critical for proper combination installation, to ensure that each built-in product's faceplate will fit flush against cabinet front.
- Bases must be level and cabinet front must be square.
- Minimum 4-1/2" required distance from bottom of Warmer Drawer cutout to floor.
- Respect critical dimensions as noted for proper installation of built-in products.
- Minimum 23-1/4" clearance needed for Wall Oven door depth when open.

### 30" High-Speed Oven Specifications

- Product Weight – (E30S075FPS/E30S075ESS) 115 Lbs.
- Voltage Rating – 240V/60 Hz/15 or 20 Amps
- Single phase 3- or 4-wire cable, 240 Volt, 60 Hertz AC only electrical supply with ground required on separate circuit fused on both sides of line.
- Connected Load (kW Rating) @ 240 Volts = 3.3kW
- Amps @ 240 Volts = 13.2 Amps
- Full oven base of solid plywood or similar material required, capable of supporting 150 Lbs.
- Minimum 2-5/8" clearance required from bottom of High-Speed Oven cutout to top edge of Wall Oven's faceplate, leaving a 2" visible gap between both product faceplates.

### 30" Electric Single Wall Oven Specifications

- Product Weights – (E30EW75GPS) 178 Lbs. / (E30EW75GSS) 175 Lbs.
- Single phase 3- or 4-wire cable, 120/240 or 120/208 Volt, 60 Hertz AC only electrical supply with ground required on separate circuit fused on both sides of line.
- Connected Load (kW Rating) @ 240/208 Volts = 4.0/3.0kW
- Amps @ 240/208 Volts = 16.6/14.4 Amps
- To support Wall Oven, two 3"-wide x 3/4"-thick planks must be installed as a base, capable of supporting 200 Lbs. Do NOT use full base, since planks are necessary to allow for proper air displacement.

### 30" Warmer Drawer Specifications

- Product Weights – (E30WD75GPS/E30WD75GSS) 49 Lbs. / (E30WD75GTT) 41 Lbs.
- Voltage Rating – 120V/450W/60Hz/15 Amps
- Connected Load (kW Rating) @ 120 Volts = 0.45kW (For use on adequately wired 120V, dedicated circuit having 2-wire service with a separate ground wire. Appliance must be grounded for safe operation.)
- Amps @ 120V = 3.75 Amps
- Full base of solid plywood or similar material required, capable of supporting 100 Lbs.

Note: For planning purposes only. Refer to Product Installation Guide on the web at [electroluxicon.com](http://electroluxicon.com) for detailed instructions.

## Electrolux Major Appliances, N.A.

USA • 10200 David Taylor Drive • Charlotte, NC 28262 • 1-877-4electrolux (1-877-435-3287) • [electroluxicon.com](http://electroluxicon.com)  
CANADA • 5855 Terry Fox Way • Mississauga, ON L5V 3E4 • 1-800-265-8352 • [electroluxicon.ca](http://electroluxicon.ca)

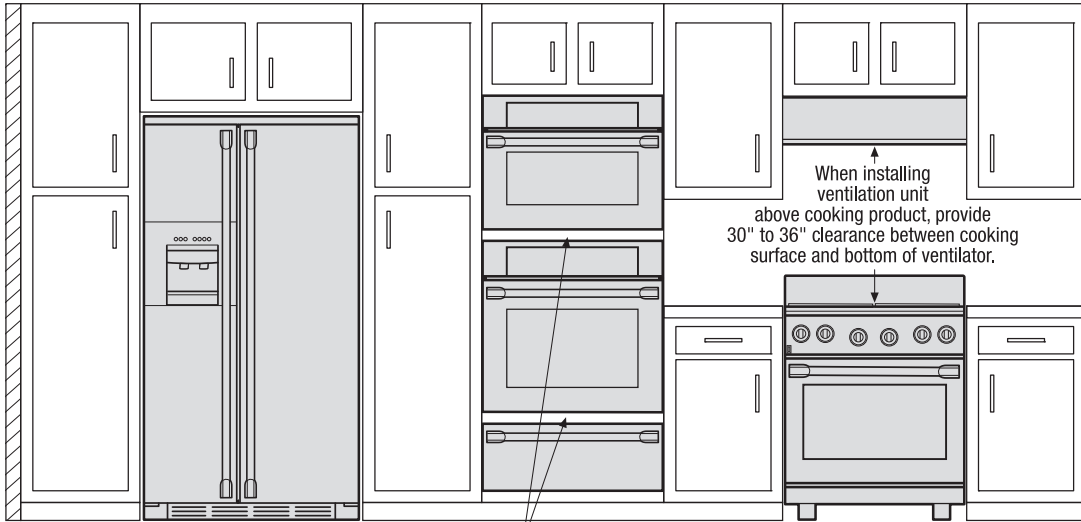
# General Installation Guidelines

For Installation with Counter-Depth Side-by-Side Refrigerator



Use these dimensions and clearance instructions for planning purposes only. For detailed installation instructions, refer to installation guide, packed with product, or on the web at [electroluxicon.com](http://electroluxicon.com).

Front

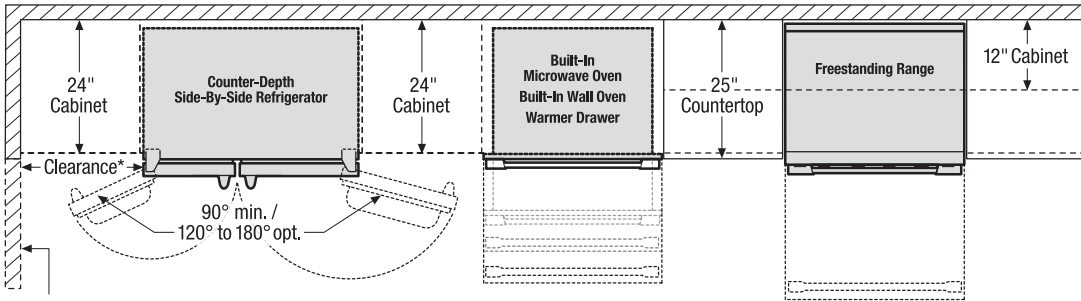


When installing built-in cooking appliances in combination, 2"-high minimum visible gap between appliance faceplates required.

Clearance information for cooking appliances, provided in specific product's installation guide.

When installing ventilation unit above cooking product, provide 30" to 36" clearance between cooking surface and bottom of ventilator.

Top

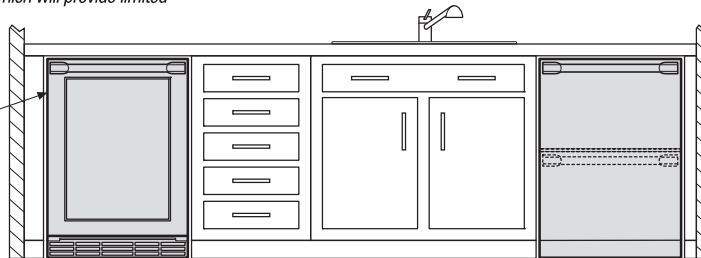


\*When installing side-by-side refrigerator adjacent to wall, cabinet or another appliance that extends beyond front edge of unit, 20" minimum clearance recommended to allow for optimum 120° to 180° door swing, providing complete drawer/crisper access and removal. (Absolute 4-1/2" minimum clearance will ONLY allow for 90° door swing which will provide limited drawer/crisper access with restricted removal.)

When installing appliance with sliding drawer or drop-down door directly across from obstructions, provide sufficient clearance for drawer extension or door swing.

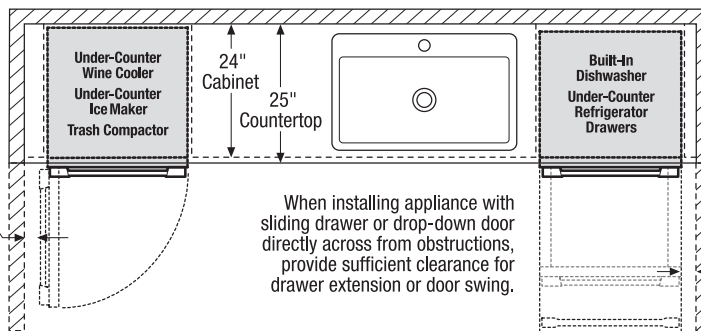
Front

To ensure optimum performance, avoid installing refrigeration appliances in direct sunlight or near heat source.



Top

When installing appliance with side-swing door adjacent to wall, cabinet, or other obstruction that extends beyond front edge of appliance, door swing and handle clearance must be sufficient to allow access to appliance interior.



When installing appliance with sliding drawer or drop-down door directly across from obstructions, provide sufficient clearance for drawer extension or door swing.

When installing appliance with sliding drawer or drop-down door adjacent to wall, cabinet, or other obstruction that extends beyond front edge of appliance, allow 2" minimum clearance between drawer or door and obstruction.

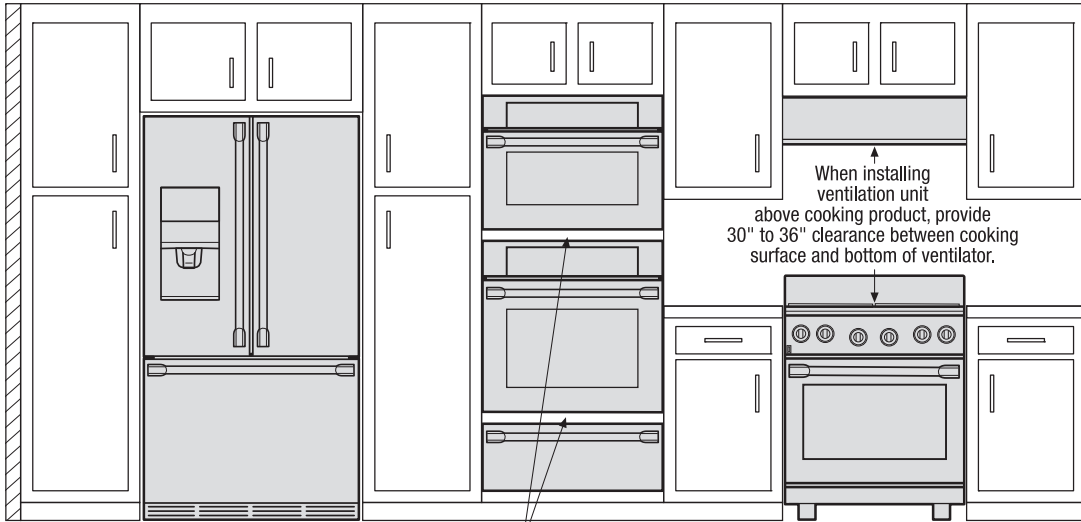
## Electrolux Major Appliances, N.A.

USA • 10200 David Taylor Drive • Charlotte, NC 28262 • 1-877-4electrolux (1-877-435-3287) • [electroluxicon.com](http://electroluxicon.com)  
 CANADA • 5855 Terry Fox Way • Mississauga, ON L5V 3E4 • 1-800-265-8352 • [electroluxicon.ca](http://electroluxicon.ca)

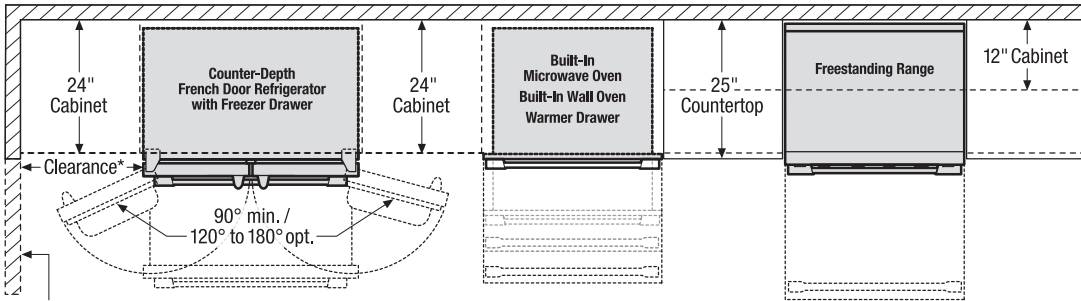
High standards of quality at Electrolux Home Products, Inc. mean we are constantly working to improve our products. We reserve the right to change specifications or discontinue models without notice.

Use these dimensions and clearance instructions for planning purposes only. For detailed installation instructions, refer to installation guide, packed with product, or on the web at [electroluxicon.com](http://electroluxicon.com).

Front



Top

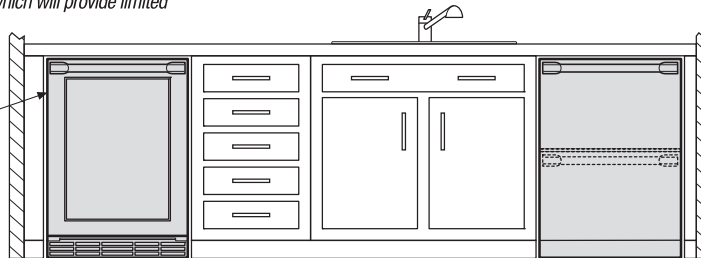


\*When installing French door refrigerator adjacent to wall, cabinet or another appliance that extends beyond front edge of unit, 20" minimum clearance recommended to allow for optimum 120° to 180° door swing, providing complete drawer / crisper access and removal. (Absolute 4-1/2" minimum clearance will ONLY allow for 90° door swing which will provide limited drawer / crisper access with restricted removal.)

When installing appliance with sliding drawer or drop-down door directly across from obstructions, provide sufficient clearance for drawer extension or door swing.

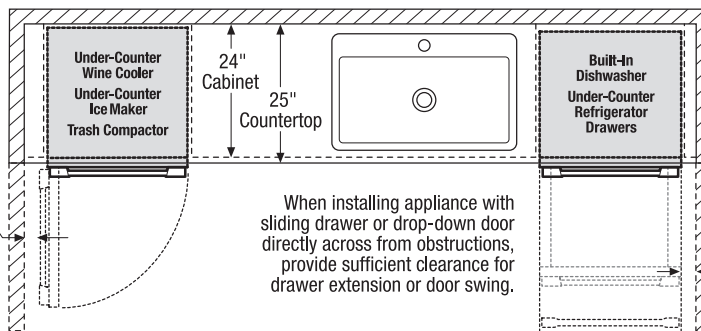
Front

To ensure optimum performance, avoid installing refrigeration appliances in direct sunlight or near heat source.



Top

When installing appliance with side-swing door adjacent to wall, cabinet, or other obstruction that extends beyond front edge of appliance, door swing and handle clearance must be sufficient to allow access to appliance interior.



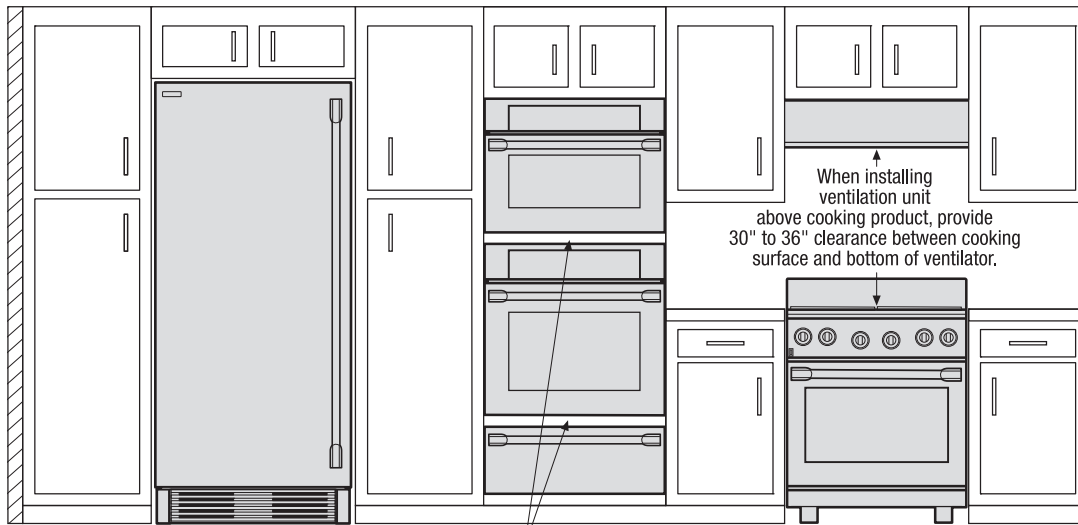
## Electrolux Major Appliances, N.A.

USA • 10200 David Taylor Drive • Charlotte, NC 28262 • 1-877-4electrolux (1-877-435-3287) • [electroluxicon.com](http://electroluxicon.com)  
 CANADA • 5855 Terry Fox Way • Mississauga, ON L5V 3E4 • 1-800-265-8352 • [electroluxicon.ca](http://electroluxicon.ca)

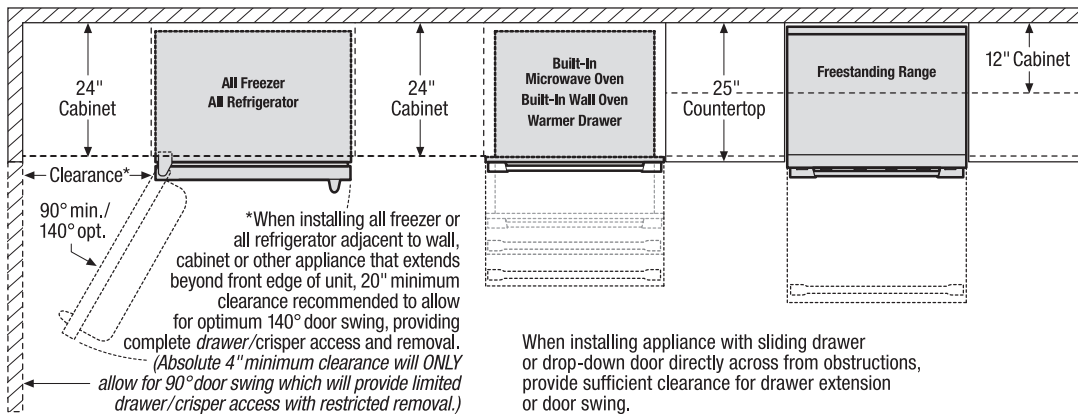
High standards of quality at Electrolux Home Products, Inc. mean we are constantly working to improve our products. We reserve the right to change specifications or discontinue models without notice.

Use these dimensions and clearance instructions for planning purposes only. For detailed installation instructions, refer to installation guide, packed with product, or on the web at [electroluxicon.com](http://electroluxicon.com).

Front

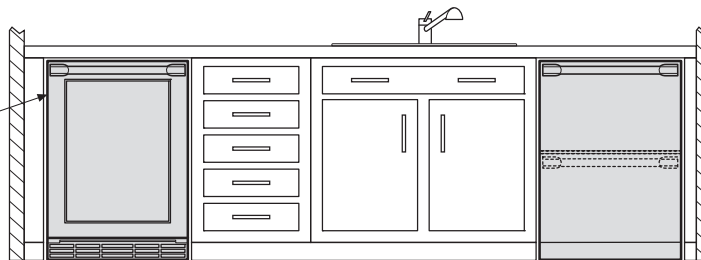


Top



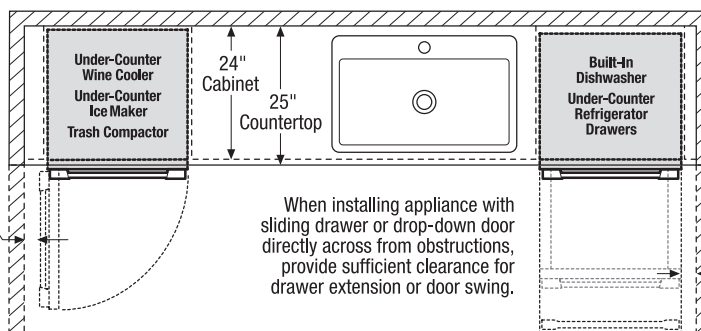
Front

To ensure optimum performance, avoid installing refrigeration appliances in direct sunlight or near heat source.



Top

When installing appliance with side-swing door adjacent to wall, cabinet, or other obstruction that extends beyond front edge of appliance, door swing and handle clearance must be sufficient to allow access to appliance interior.



## Electrolux Major Appliances, N.A.

USA • 10200 David Taylor Drive • Charlotte, NC 28262 • 1-877-4electrolux (1-877-435-3287) • [electroluxicon.com](http://electroluxicon.com)  
 CANADA • 5855 Terry Fox Way • Mississauga, ON L5V 3E4 • 1-800-265-8352 • [electroluxicon.ca](http://electroluxicon.ca)

High standards of quality at Electrolux Home Products, Inc. mean we are constantly working to improve our products. We reserve the right to change specifications or discontinue models without notice.