

SINGLE WALL OVEN

EI30EW35PS

Featuring IQ-Touch™ Electronic Controls



PRODUCT DIMENSIONS

Height (Including 1" Bottom Trim)	29"
Width	30"
Depth (to Front Door Corner) (with 90° Door Open)	24-3/4" 45-3/4"

MORE EASY-TO-USE FEATURES

FLAT OVEN DOOR DESIGN

Our unique flat oven door is sleekly designed with fewer bumps and ridges — so it not only looks great but is easier to clean.

LUXURY-GLIDE® OVEN RACK

With a ball bearing system, the oven rack is so smooth it extends effortlessly.

PERFECT FIT PROMISE

Find the perfect Electrolux wall oven for your space using a convenient online tool.

FAST PREHEAT

Savor sooner, with Fast Preheat.

MULTIPLE BAKING OPTIONS

Includes Dehydrate, Bread Proof, My Favourite, Temperature Probe, Fast Preheat, Delay Bake and Convection Convert.

IQ-TOUCH™ CONTROLS

For those who like to have their options always visible on their wall oven, the IQ-Touch™ control panel displays all of your options, at all times.

PLATINUM STAR® LIMITED WARRANTY

Our exclusive limited warranty that includes a 3-year coverage on parts and one year on labor without charge.¹

LUXURY-DESIGN® LIGHTING

Our ramp-up designer halogen lighting provides full visibility to see in the back of the oven.

“MY FAVOURITE” SETTING

A setting you can customize to meet your needs, so the option you want is available at the touch of a button.

Available in:


 Stainless
(S)

SIGNATURE FEATURES



PERFECT TASTE™ CONVECTION

For consistently delicious taste and texture, home chefs rely on our convection heat, which circulates air evenly with two variable speeds that work in tandem with three heating elements.



PERFECT TASTE™ TEMP PROBE

The Perfect Taste™ Temp Probe does more than measure temperature — it keeps an active eye on your dishes by alerting you when food is at the peak of perfection and automatically adjusting to the Keep Warm setting.



FRESH CLEAN™ TECHNOLOGY

Exclusive Fresh Clean™ self-cleaning technology virtually eliminates odors and smoke to keep the room smelling fresh.



LARGE CAPACITY

Coordinate an entire meal — our ovens feature 4.8 cu. ft. of cooking space with three adjustable baking racks.

¹Eligibility based on product registration with Electrolux North America within 60 days of purchase. Products must have been purchased on or after July 1, 2013. Coverage includes material parts for 3 years and labour for 1 year.

SINGLE WALL OVEN

EI30EW35PS



30" ELECTRIC SINGLE WALL OVEN

Configuration	Single
---------------	--------

CONTROL PANEL FEATURES

IQ-Touch™ Electronic Oven Controls	Yes
Keypad Entry of Time & Temperature	Yes
Electronic Clock & Timer	Yes
Temperature Display	Yes
Automatic Oven (Delay, Cook & Off)	Yes
Lockout	Yes
Automatic Oven Shutoff – 12 Hour	Yes
Programmable for °F or °C	Yes
Halogen Oven Lights/Touch Pad On/Off	Yes

OVEN FEATURES

Oven Cavity	4.8 Cu. Ft.
Hidden Bake Element	Yes
Electric Bake Element – 2200 Watts	Yes
Six-Pass Broil Element – 4000 Watts	Yes
Convection Element – 2500 Watts	Yes
Cobalt Blue Interior	Yes
Self-Clean Options with Door Lock	3
Fresh Clean™	Yes
Perfect Taste™ Convection with Variable 2-Speed Fans	Yes
Cooking Modes – Bake, Broil, Convection Bake, Convection Roast, Convection Broil, Keep Warm, Slow Cook	7
Baking Options – Dehydrate, Bread Proof, My Favourite, Temperature Probe, Fast Preheat, Delay Bake, Convection Convert	7
Halogen Oven Lights (Dual 25W Bulbs)	Yes
Luxury-Glide® Racks	1
Conventional Racks	2
Convection Roasting Rack	Yes

ADDITIONAL FEATURES

Signature Soft-Arc Handle Design	Yes
Flat Oven Door Design	Yes
Extra-Large Glass Window	Yes
Sabbath Mode (Star-K® Certified)	Yes

ACCESSORIES

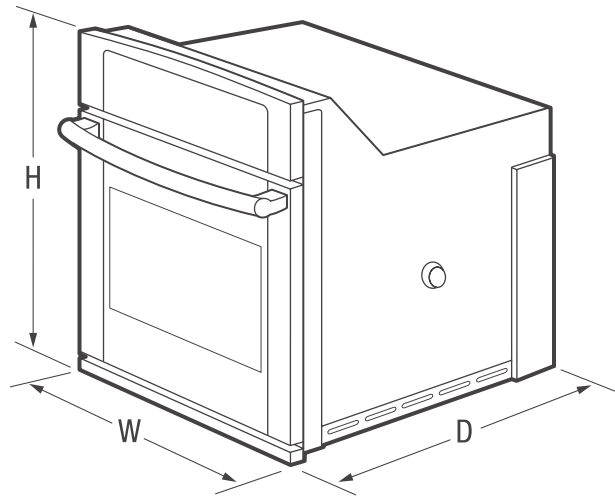
Porcelain Broiler Pan and Insert	Included
3"-High Bottom Trim: S – PN# 903114-9110	Optional
10'-Long Armoured Power Cable – PN# 903056-9010	Optional

SPECIFICATIONS

Colour – Stainless Steel	S
Power Supply Connection Location	Left Bottom Rear
Connected Load (kW Rating) @ 240/208 Volts	4.6/3.5
Amps @ 240/208 Volts	19.2/16.8
Minimum Circuit Required (Amps)	20
3-1/2"-Long Armoured Electrical Cable	Included
Approved for Under-Counter Installation*	Yes
Shipping Weight (Approx.)	163 Lbs.

*Single Wall Oven is approved to be used beneath Electrolux gas cooktop models EW30GC60L, EW30GC55G, EW36GC55G, EW30GC55P and EW30GC60P; and electric cooktop models EI30EC45K, EI36EC45K, EW30IC60L, EW36IC60L, EW30CC55G and EW36CC55G.

NOTE: Always consult local and national electric codes. Refer to Product Installation Guide for detailed installation instructions on the web at electroluxappliances.ca. Specifications subject to change.



PRODUCT DIMENSIONS

Height (Including 1" Bottom Trim)	29"
Width	30"
Depth (to Front Door Corner)	24-3/4"
(with 90° Door Open)	45-3/4"

OVEN CAVITY DIMENSIONS

Height	17-1/2"
Width	24-1/8"
Depth	19-1/2"

Electrolux Major Appliances, N.A.

CANADA • 5855 Terry Fox Way • Mississauga, ON L5V 3E4 • 1-800-265-8352 • electroluxappliances.ca

EI30EW35P 10/14

© 2014 Electrolux Major Appliances, NA

Printed in Canada



High standards of quality at Electrolux Home Products, Inc. mean we are constantly working to improve our products. We reserve the right to change specifications or discontinue models without notice.