

Magnetic Transformers 120V and 277V to 12V or 277V to 120V



Features

- 20, 50, 75, 300W Magnetic Transformers.
- ETR12, ETR12-20, ETR12-75: 120V AC Input to 12V AC Output
- ETR-277, ETR277-20: 277V AC Input to 120V AC Output
- ETR12-277, P75-7: 277V AC Input to 12V AC Output
- Install on 1/2" junction box knockout.
- UL recognized.

Specifications

Wattage	20W - 300W
Voltage	120V or 277V

Options

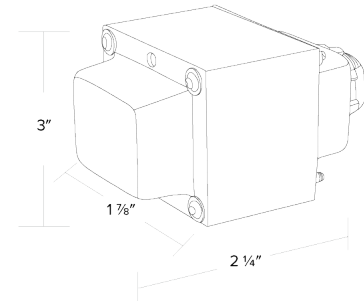


ETR12



ETR12-20

Dimensions



Product Numbers

Item	Description	Watts	Voltage
ETR12	Low Voltage Magnetic Transformer	50W	120V
ETR12-20	Low Voltage Magnetic Transformer	20W	120V
ETR12-75	Low Voltage Magnetic Transformer	75W	120V
ETR-277	Magnetic Step-Down Transformer	300W	277V
ETR277-20	Magnetic Step-Down Transformer	20W	277V
P75-7	Magnetic Step-Down Transformer	75W	277V
ETR12-277	Low Voltage Magnetic Transformer	50W	277V