

EDL41

Decorative Pendant

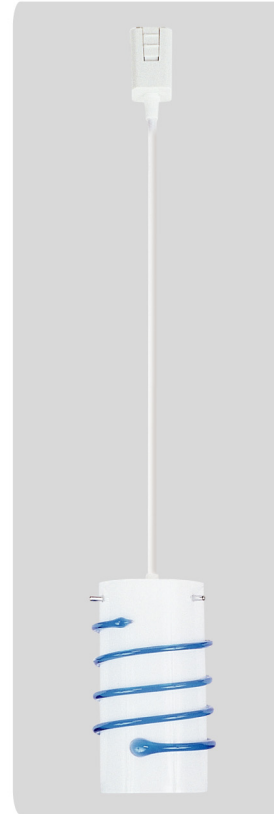
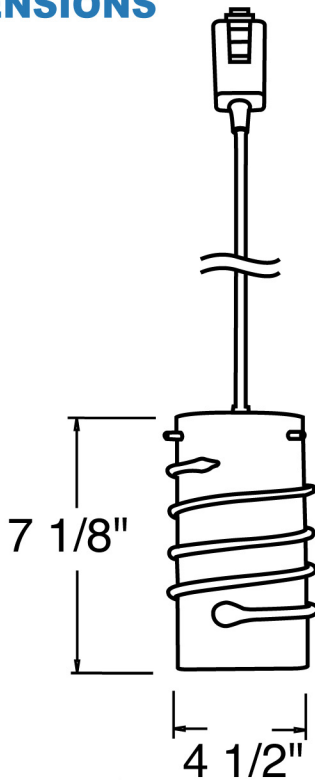
PROJECT INFORMATION:

Project Name: _____

Fixture Type: _____

Date: _____

DIMENSIONS



PRODUCT SPECIFICATIONS

All track heads except HID have adjustable track adapter to allow for use with single circuit and double circuit tracks.

- Decorative Pendant
- Glass

Lamp: A Lamp 60W Max 120V

Dimensions: Length: 7 1/8"
Diameter: 4 1/2"
Max. Extension: 60"

Finish: (W) White

Labels: U.L. or E.T.L. listed

CATALOG NUMBER

Example: EDL41