

# EDGESTAR<sup>®</sup>

## IP210

### Portable Ice Maker

#### Owner's Manual

This owner's manual provides instructions on safe installation, use and maintenance. Please read it carefully and save it for reference.



# TABLE OF CONTENTS

<b>IMPORTANT SAFETY INSTRUCTIONS</b> .....	<b>2</b>
<b>PREPARING YOUR ICE MAKER FOR USE</b> .....	<b>3</b>
IMPORTANT SAFETY TIPS .....	3
<b>GETTING TO KNOW YOUR UNIT</b> .....	<b>4</b>
<b>OPERATING PROCEDURES &amp; MAINTENANCE</b> .....	<b>5</b>
UNPACKING YOUR ICE MAKER .....	5
CONNECTING YOUR ICE MAKER .....	5
CLEANING AND MAINTAINING YOUR ICE MAKER .....	5
<b>USING YOUR ICE MAKER</b> .....	<b>6</b>
TROUBLESHOOTING .....	6
<b>TECHNICAL PARAMETERS &amp; CIRCUIT DIAGRAM</b> .....	<b>7</b>
<b>WARRANTY</b> .....	<b>8</b>

## *IMPORTANT SAFETY INSTRUCTIONS*

**Your safety and the safety of others are very important.**

We have provided many important safety messages manual and your appliance.  
Always read and obey all safety messages.

This is the safety alert symbol:



All safety messages will follow the safety alert symbol and the word "DANGER" or "WARNING".

 **DANGER**

 **WARNING**

These words mean:

**You can be killed or seriously injured if you don't follow immediate instructions.**

All safety messages will tell you what the potential hazard is, tell you how to reduce the chance of injury, and tell you what can happen if the instructions are not followed.

## PREPARING YOUR ICE MAKER FOR USE

### IMPORTANT SAFETY TIPS

When using electrical appliances, basic safety precautions should be followed to reduce the risk of fire, electric shock, and injury to persons or property. Read all instructions before using any appliance.

- Do not operate this or any other appliance with a damaged cord. Connect to properly polarized outlets only. No other appliance should be plugged into the same outlet. Be sure that the plug is fully inserted into the receptacle.
- Do not run the power cord over carpeting or other heat insulators. Do not cover the cord. Keep the cord away from traffic areas, and do not submerge in water.
- We do not recommend the use of an extension cord, as it may overheat and become a risk of fire. If you must use an extension cord, use No.14 AWG minimum size and rated no less than 1875 watts.
- Unplug the ice maker before cleaning or making any repairs or servicing.
- Exercise caution and use reasonable supervision when appliance is used near children.
- Do not use your ice maker outdoors. Place the ice maker away from direct sunlight and make sure that there is at least 4 inches of space between the back of your unit and wall. Keep a minimum distance of 4 inches on each side of your unit free.
- Do not use other liquid to make the ice cube other than water.
- Do not clean your ice maker with flammable fluids. The fumes can create a fire hazard or explosion.
- Do not tip over.
- If the ice maker is brought in from outside in wintertime, give it a few hours to warm up to room temperature before plugging it in.

**WARNING:** This appliance must be earthed.

**IMPORTANT:**

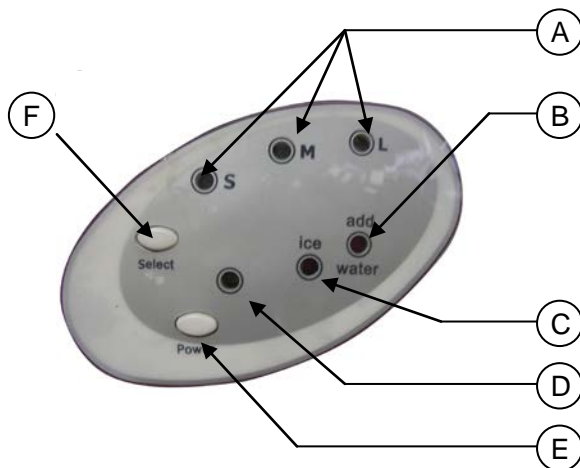
The wires in this mains lead are colored in accordance with the following code:

Green or Green with a strip yellow:	Grounding
White:	Neutral
Black:	Live

To avoid a hazard due to instability of the appliance, it must be placed at an even or flat surface.

## GETTING TO KNOW YOUR UNIT

1. **Cover:** With a transparent window to allow interior visibility
2. **Ice scoop**
3. **Ice shovel**
4. **Control Panel:** Easy to use, visible functions touch display setting
  - A. Selected ice size displaying: Small, Medium, and Large
  - B. No water in the water reservoir displaying: Ask you to add water
  - C. Ice Full displaying
  - D. Power indicator
  - E. Button to turn on/off the unit
  - F. Button to select the size of the ice cube
5. **Water drain cap:** For draining water from water reservoir
6. **Air Outlet**
7. **Ice basket**



## OPERATING PROCEDURES & MAINTENANCE

### UNPACKING YOUR ICE MAKER

1. Remove the exterior and interior packaging. Check that ice basket and ice scoop is included. If any parts are missing, please contact our customer service.
2. Clean the interior with lukewarm water and a soft cloth. Take out the ice basket and clean it
3. Find a location for your ice maker that is protected from direct sunlight and other sources of heat (i.e.: stove, furnace, radiator). Place the ice maker on a level surface. Make sure that there is at least 4 inches of space between the back and sides of your ice maker and the wall.
4. Allow one hour for the refrigerant fluid to settle before plugging ice maker in.
5. The appliance must be positioned so that the plug is accessible.

### CONNECTING YOUR ICE MAKER

#### DANGER

**\* Improper use of the grounded plug can result in the risk of electrical shock. If the power cord is damaged please call our customer service.**

1. This unit should be properly grounded for your safety. The power cord of this appliance is equipped with a three-prong plug which mates with standard three prong wall outlets to minimize the possibility of electric shock.
2. Plug your appliance into an exclusive, properly installed, grounded wall outlet. Do not under any circumstances, cut or remove the third (ground) prong from the power cord. Any questions concerning power and/or grounding should be directed toward a certified electrician.
3. This appliance requires a standard 110-120volt, 60Hz electrical outlet with three-prong ground.

### CLEANING AND MAINTAINING YOUR ICE MAKER

Before using your ice maker, it is strongly recommended to clean it thoroughly.

1. Take out the ice basket.
2. Clean the interior with diluted detergent, warm water and a soft cloth.
3. Then use the water to rinse the inside parts, and drain out the water by unplugging the drain cap on the side.
4. The outside of the ice maker should be cleaned regularly with a mild detergent solution and warm water.
5. Dry the interior and exterior with a soft cloth.
6. When the machine is not in use for a long time, open the water drain cap to drain water completely from water reservoir.

## USING YOUR ICE MAKER

1. Select the size of the ice cube by pressing the “Select” button. If the room temperature is lower than 60°F, it is recommended to select the small or medium ice sign button in order to avoid ice sticking together.
2. Open the cover, remove the ice basket and pour water into tank.  
Keep water level below the level mark.
3. Press “Power” button on the control panel to begin the ice making cycle.
4. The ice making cycle lasts 6 to 15 minutes, depending on the size of the ice cube selection and the ambient temperature. In extreme hot room temperatures, ice making time may vary.
5. While the icemaker is on, verify water level periodically. If water pump can’t inject water, the ice maker will stop automatically, and the “Add Water” indicator will be on.  
Press “Power” button, fill water up to the level mark and press “Power” button again to turn on the unit again.  
Allow the refrigerant liquid inside the compressor at least 3 minutes to settle before restarting.
6. The ice maker automatically stops working when the ice basket is full and the “Ice” indicator will be on.
7. Change water in the water reservoir every 24 hours to ensure a reasonable hygiene level.  
If unit isn’t in use, drain all water left in the tank.

## TROUBLESHOOTING

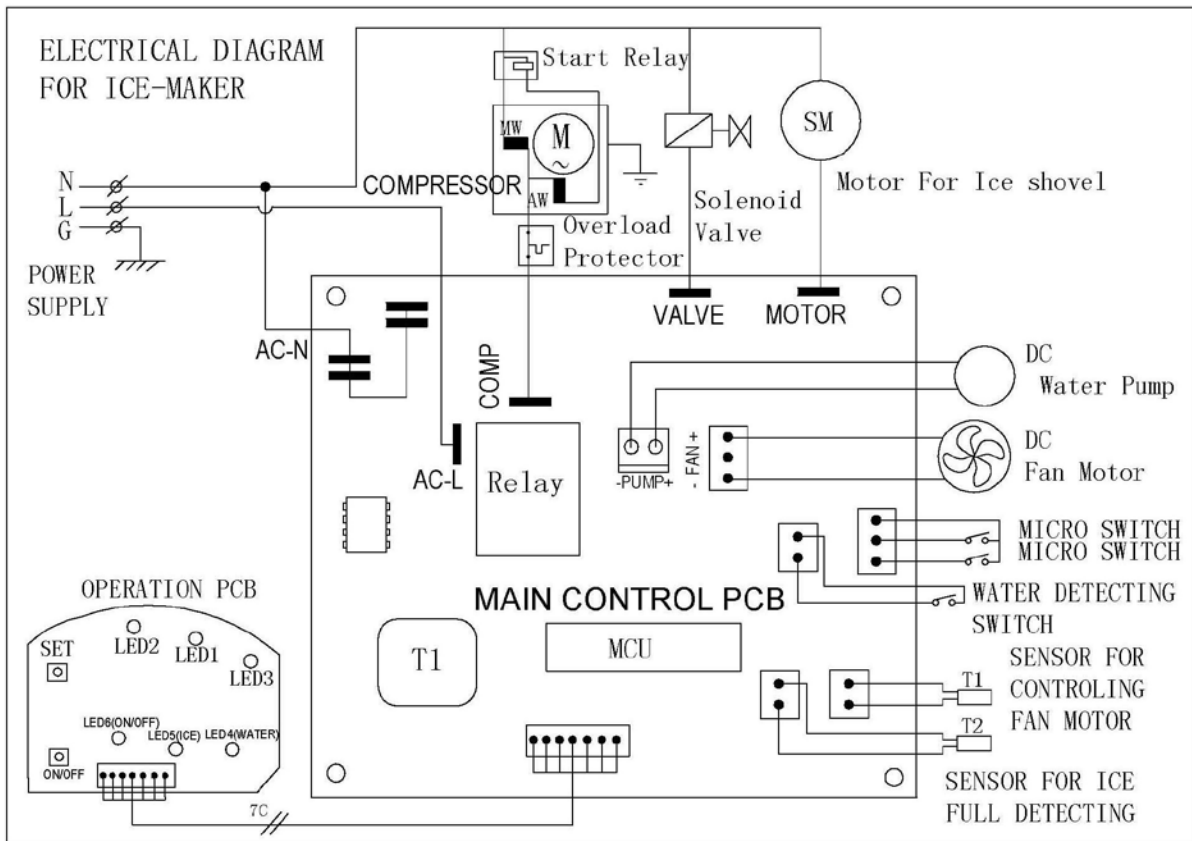
PROBLEM	POSSIBLE CAUSE	SOLUTION
<b>“Add Water” indicator is on.</b>	Lack of Water.	Stop the ice maker, fill water, and press “Power” button again to restart the unit.
<b>“Ice” indicator is on.</b>	There is too much ice.	Remove ice from ice basket.
<b>Ice cubes stick together.</b>	The ice cycle is too long.	Stop the ice maker, and restart it when the ice blocks melt. Select the small size ice cube selection.
	Water temperature in inner tank is too low.	Change the water in the inner tank. Temperature of water is better set between 45°F–90°F.
<b>Ice making cycle is normal but no ice is made.</b>	Ambient temperature or water temperature in inner tank is too high.	Please run the ice maker below 90°F and pour colder water into tank.
	Refrigerant liquid leakage.	Verify by a qualified technician.
	Pipe in the cooling system is blocked.	Verify by a qualified technician.

# TECHNICAL PARAMETERS & CIRCUIT DIAGRAM

## TECHNICAL PARAMETERS

<b>Model</b>	<b>IP210</b>
<b>Power</b>	115V/60Hz
<b>Ice Making Current</b>	1.9A
<b>Ice Harvest Current</b>	2.7A
<b>Refrigerant</b>	R134a/65g
<b>Design Pressure</b>	
High Side	290Psig
Low Side	88Psig
<b>Net Weight</b>	23.6 lb
<b>Size (HxWxD)</b>	14 ¾" x 11 ¾" x 14 ½"

## CIRCUIT DIAGRAM





# EdgeStar Limited Warranty

## One (1) Year Parts & Ninety (90) Days Labor

This product is warranted by EdgeStar to be free from defective workmanship and materials, subject to any conditions set forth as follows:

### WHAT IS COVERED:

**LABOR:** For a period of NINETY (90) DAYS from the date of original purchase, labor will be performed free of charge at an authorized EdgeStar repair facility. At its option, EdgeStar will repair the product with new or remanufactured parts, or exchange the defective product with a new, refurbished, or remanufactured product. If a product is replaced, it will carry the remaining warranty of the original product. After the ninety (90) day period, EdgeStar will no longer be responsible for labor charges incurred. All defective products and parts covered by this warranty will be repaired or replaced on a mail-in basis to an EdgeStar authorized repair facility.

**PARTS:** For a period of ONE (1) YEAR from the date of original purchase, EdgeStar will supply new, rebuilt, or refurbished parts free of charge. EdgeStar may request a defective part be returned in exchange for the replacement part. All replacement parts or products will be new, remanufactured, or refurbished. All products and parts replaced by EdgeStar under warranty service become the property of EdgeStar.

This warranty applies to the original purchaser only, and only covers defects in workmanship experienced during operation of the product under normal service, maintenance, and usage conditions. This warranty applies to the purchase and use of this product in residential settings within the United States of America.

### WHAT IS NOT COVERED:

The following limitations apply to the coverage of this warranty. This warranty does not cover:

- x Labor charges for installation, setup or training to use the product.
- x Shipping damage, and any damage caused by improper packaging for shipment to an authorized service center, and any damaged caused by improper voltage or any other misuse, including abnormal service, handling, or usage.
- x Cosmetic damage such as scratches and dents.
- x Normal wear and tear on parts or replacement of parts designed to be replaced, e.g. filters, cartridges, batteries.
- x Service trips to deliver, pick-up, or repair, install the product, or to instruct in proper usage of the product.
- x Damages or operating problems resulting from misuse, abuse, operation outside environmental specifications, uses contrary to instructions provided in the owner's manual, accidents, acts of God, vermin, fire, flood, improper installation, unauthorized service, maintenance negligence, unauthorized installation or modification, or commercial use.
- x Labor charges incurred 91 days or more after the date of original purchase.
- x The use of EdgeStar products in commercial settings.
- x Optional accessories, attachments, and appearance items.
- x Products that have been modified to perform outside of specifications without the prior written permission of EdgeStar.
- x Products lost in shipment, or theft.
- x Products sold AS IS or from an unauthorized reseller.
- x Products that have had their serial numbers removed or defaced. Products with serial numbers that have been invalidated.

### OBTAINING WARRANTY SERVICE:

If you believe your product is defective, contact EdgeStar Customer Support for troubleshooting assistance and warranty service at 1-866-319-5473. Please have your serial number and proof of purchase available. Once an EdgeStar authorized representative has confirmed that your product is defective and eligible for warranty service, the product must be returned to an EdgeStar repair facility. The purchaser is solely responsible for prepaying all shipping related costs to and from the repair facility. EdgeStar is not responsible for damage resulting from shipper mishandling or improper packaging. Do not return a defective product to the place of purchase. Products received without a return authorization number will be refused.

THIS WARRANTY IS IN LIEU OF ANY OTHER WARRANTY, EXPRESSED OR IMPLIED, INCLUDING WITHOUT LIMITATION, ANY WARRANTY OF MERCHANTABILITY OR FITNESS FOR A PARTICULAR PURPOSE. TO THE EXTENT ANY IMPLIED WARRANTY IS REQUIRED BY LAW, IT IS LIMITED IN DURATION TO THE EXPRESS WARRANTY PERIOD ABOVE. NEITHER THE MANUFACTURER NOR ITS DISTRIBUTORS SHALL BE LIABLE FOR ANY INCIDENTAL, CONSEQUENTIAL, INDIRECT, SPECIAL, OR PUNITIVE DAMAGES OF ANY NATURE, INCLUDING WITHOUT LIMITATION, LOST REVENUES OR PROFITS, OR ANY OTHER DAMAGE WHETHER BASED IN CONTRACT, TORT, OR OTHERWISE. SOME STATES DO NOT ALLOW THE EXCLUSION OF INCIDENTAL OR CONSEQUENTIAL DAMAGES, SO THE ABOVE EXCLUSION MAY NOT APPLY TO YOU. THIS WARRANTY GIVES YOU SPECIFIC LEGAL RIGHTS. YOU MAY HAVE OTHER RIGHTS THAT VARY FROM STATE TO STATE.

# EDGESTAR<sup>®</sup>

EdgeStar Products  
500 N. Capital of TX Hwy, Bldg 5  
Austin, TX 78746

Toll Free: 1-866-319-5473  
Web: <http://www.edgestar.com>  
E-mail: [service@edgestar.com](mailto:service@edgestar.com)

Register your product, download owner's manuals, access additional troubleshooting resources, and obtain more information on other great EdgeStar products on the web at: <http://www.edgestar.com>

Product contents and specifications may change without notice.

Copyright © 2014 Living Direct, Inc. All rights reserved.