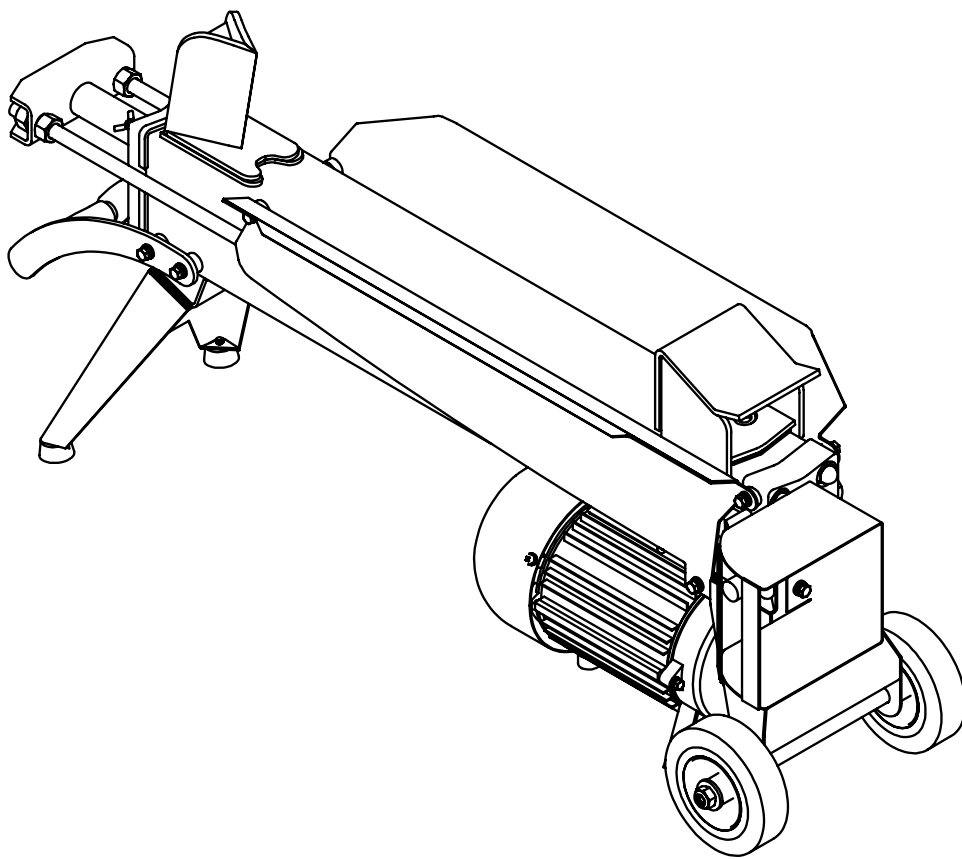


Earthquake

Operator's Manual
Original Operating Instructions
**5-Ton Electric
Log Splitter
W1200**



Get parts online at
www.getearthquake.com



OMW1200
ECN: 9274
REV2: 02/11/13
©2013 Ardisam, Inc.
All Rights Reserved.

THANK YOU AND CONGRATULATIONS....

for purchasing an Earthquake™ Electric Log Splitter from Ardisam, Inc. We have worked to ensure that the splitter meets high standards for usability and durability. With proper care, your log splitter will provide many years of service. Please take the time to read this manual carefully to learn how to correctly operate and maintain your log splitter. Congratulations on your investment in quality.

CONTENTS

Registration	2
Safety & Safety Rules	3-4
Specifications & Electrical Requirements	5
Set-Up and Pre-Operation	6
Assembly	7
Operation	8
Maintenance	9
Service, Troubleshooting, and Repair	10
Notes Page.....	11
Parts Explosion Breakdown and Parts List.....	12-13
Warranty	14

REGISTRATION

Record your model number and serial number in the space provided for easy reference. Fill out and mail the registration card located in your parts packet. Warranty is valid only if your completed registration card is received by Ardisam, Inc., at time of purchase.

Model Number _____

Serial Number _____

Date of Purchase _____

Place of Purchase _____

SAFETY AND SAFETY RULES

OWNER'S RESPONSIBILITY

Safe and effective use of the 5-ton electric log splitter is the owner's responsibility.

- Read and follow all safety instructions.
- Maintain the log splitter according to directions and schedule, included in this Earthquake Operator's Manual.
- Check your log splitter before turning it on. Keep guards in place and in working order. Replace damaged, missing or failed parts before using it.
- Ensure that anyone who uses the log splitter is familiar with all controls and safety precautions.

SPECIAL MESSAGES

Your manual contains special messages to bring attention to potential safety concerns, machine damage, as well as helpful operating and servicing information. Please read all the information carefully to avoid injury and machine damage.

NOTE: General information is given throughout the manual that may help the operator perform the operation or service of the machine.

IMPORTANT SAFETY PRECAUTIONS

Please read this section carefully. Operate the electric log splitter according to the safety instructions and recommendations outlined here, and stated throughout the text. Anyone who uses this log splitter must read the instructions carefully and be familiar with the controls.



This symbol signifies important safety instructions, which, if not followed could endanger your personal safety. Read and follow all instructions in this manual before attempting to operate this equipment.

- Do not transport the log splitter with the motor running.
- Dress appropriately when operating the log splitter. Always wear sturdy footwear. Do not wear sandals, sneakers, or open toed shoes, and never operate the log splitter with bare feet. Do not wear loose clothing or jewelry that may get caught in moving parts. Always wear safety goggles for eye protection. Everyday glasses have only impact resistant lenses and are not effective safety glasses.

WARNING

WARNING INDICATES A HAZARD WHICH, IF NOT AVOIDED, COULD RESULT IN DEATH OR SERIOUS INJURY AND/OR PROPERTY DAMAGE.

CAUTION

CAUTION INDICATES YOU CAN BE HURT OR YOUR EQUIPMENT DAMAGED IF THE SAFETY INSTRUCTIONS THAT FOLLOW THIS SIGNAL WORD ARE NOT OBEYED.

IMPORTANT

INDICATES HELPFUL INFORMATION FOR PROPER ASSEMBLY, OPERATION, OR MAINTENANCE OF YOUR EQUIPMENT.

- Always pay full attention to the movement of the log pusher. Do not attempt to load the log onto the log splitter until the log pusher has come to a complete stop. Always keep hands, feet, hair and loose clothing away from any moving parts on the log splitter.
- Do not allow children to operate this log splitter. Adults should not operate the log splitter without proper instruction.
- Do not operate any power equipment under the influence of drugs, alcohol, or any medication that could affect your ability to use the equipment properly.
- Always keep your work area clean and well lit.
- Keep all screws, nuts and bolts tight.
- Always inspect the logs to be split for nails or other foreign objects. The ends of the logs must be cut square. Branches must be cut off flush with the trunk.
- Do not over-reach. Keep proper footing and balance at all times. Never stand on the log splitter. Do not use the log splitter as a step.
- Do not operate the log splitter from ground level. Place log splitter at a comfortable height (24-32 inches), on a stable, flat, and level work surface where there is plenty of room for handling material. Bolt the log splitter to the work surface if it tends to slip, walk, or slide.
- Do not use the log splitter in wet or damp areas or expose it to rain.

- Never try to split logs larger than those indicated in the specifications table. Failure to do so may damage the machine. Do not use the log splitter for anything other than splitting logs. Do not force log through splitter.
- Never use an extension cord that is not rated for outdoor use. The cord should not be longer than 30 feet. The cord should be of a heavy-duty construction (12-10 AWG).
- Check that the electric circuit is adequately protected and that it corresponds with the power, voltage and frequency of the motor. Check that there is a ground connection and a regulation differential switch upstream. Ground the log splitter. Prevent body contact with ground surfaces: pipes, radiators, ranges, refrigerator enclosures, etc. Never open the pushbutton box on the motor. Make sure your fingers do not touch the plug's metal prongs when plugging in or unplugging the log splitter.
- Do not remove jammed logs with your hands. If an object becomes lodged in the ram, unplug electric motor before attempting to remove the foreign object.
- Do not use the log splitter in areas where fumes from paint, solvents, or flammable liquids pose a potential fire/explosion hazard.
- Use only original equipment parts from Ardisam, Inc., including all nuts and bolts.
- Disconnect power by unplugging power cord when not in use, before making adjustments, changing parts, cleaning, or working on the log splitter.
- Maintain and keep the log splitter clean for the best and most safe performance.

STEPS FOR WORKING ON ELECTRIC LOG SPLITTER

1. Turn off motor switch. Unplug motor.
2. Replace or repair the part on the log splitter.
3. Check all parts that were repaired, or removed during repair, to ensure they are secure and fit correctly.

NOTE: All repair parts must come from the factory. Never replace parts that are not specifically designed for this log splitter.

SAFETY DECAL

The Earthquake Electric Log Splitter has been designed and manufactured to provide you with the safety and reliability you would expect from an industry leader in outdoor power equipment manufacturing.

Reading this manual, and the safety instructions it contains, will provide you with the necessary knowledge to operate this equipment safely and effectively. We have placed a safety decal on the log splitter to remind you of some of the important information while you are operating the unit.

This important safety decal is illustrated below, and is shown here to help familiarize you with the location and content of the safety messages you will see as you perform normal log splitting operations. Please review this decal now, and if you have any questions regarding its meaning or complying with these instructions, reread the complete safety instruction text in this manual, or contact your local dealer.

The decal below is located on the side panel of the log cradle above the main power switch. Should this decal become unreadable, because of being worn, faded, or otherwise damaged during the use of your log splitter, please use the part number information provided to order a replacement label from your local authorized dealer. These decals are easily applied, and will act as a constant visual reminder to you, and others who may use the equipment, to follow the safety instructions necessary for safe, effective operation of your log splitter.

Warning Decal



1. Crush hazard - hand
2. Take care when removing jammed logs from wedge
3. Clean up any spills
4. Read owners manual before using
5. Use protective eyewear
6. Danger - Keep clear of moving parts
7. Unplug before servicing
8. Maintain a safe distance from bystanders when operating
9. Do not operate without guards
10. Use protective footwear
11. Use protective gloves.

SPECIFICATIONS AND ELECTRICAL REQUIREMENTS

APPLICATION CONDITIONS

The Earthquake 5-Ton Electric Log Splitter has been designed as a home use model only. It is designed for operating at ambient temperatures between 40° F. and 105° F. The log splitter can be stored or transported under ambient temperatures between -10° F. and 130° F.

SPECIFICATIONS

Model Number	W1200	
Motor	120V~50Hz 1500W IP54	
Circuit Protection Requirements	20 Amps (Amperes)	
Log Capacity	Diameter *	2 - 10 inches
	Length	20 inches
Splitting Force	5 ton	
Hydraulic Pressure	2,300 psi	
Hydraulic Oil Capacity	3.75 quarts	
Overall Size	Length	37 inches
	Width	11 inches
	Height	20 inches
Weight	99 lb	

*The diameter of the log is not indicative - a small log can be difficult to split when it contains knobs or a particularly tough fiber. On the other hand, it may not be difficult to split logs with regular fibers even if its diameter exceeds the maximum diameter described in the specifications chart.

ELECTRICAL REQUIREMENTS

Connect the main leads to a standard 110V \pm 10% electrical supply which has protection devices under-voltage, over-voltage, over-current, as well as a ground fault circuit interrupter (GFCI) or a ground fault interrupter (GFI) with a maximum residual current of 0.03A.

SET-UP AND PRE-OPERATION

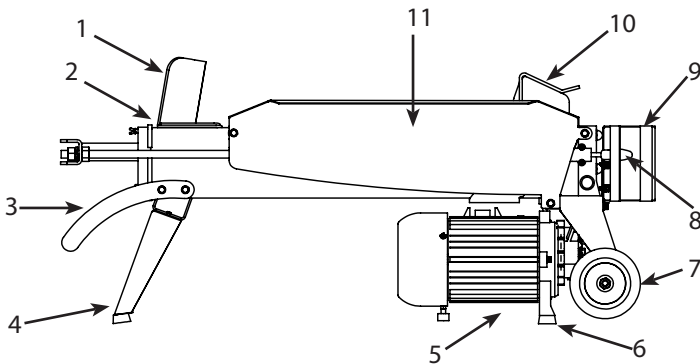


Figure 1

Before attempting to use, familiarize yourself with all the operating features and safety requirements of your log splitter. (SEE FIGURE 1)

- | | |
|--|--|
| 1. Wedge | 8. 2-hand operating hydraulic control lever |
| 2. Oil tank | 9. Safety guard for 2-hand operating hydraulic control lever |
| 3. Carrying handle | 10. Log pusher |
| 4. Supporting leg | 11. Log cradle |
| 5. Motor w/push switch & circuit breaker | |
| 6. Rubber feet | |
| 7. Rolling wheel | |

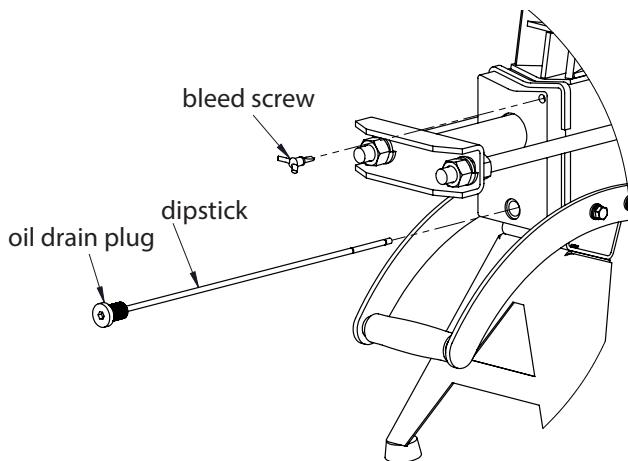


Figure 2

! WARNING

FOR YOUR OWN SAFETY, DO NOT CONNECT THE LOG SPLITTER TO THE POWER SOURCE UNTIL THE MACHINE IS COMPLETELY ASSEMBLED AND YOU READ AND UNDERSTAND THE ENTIRE INSTRUCTION MANUAL.

FOR YOUR OWN SAFETY, NEVER FORGET TO BOLT THE WHEEL BRACKET TO THE LOG SPLITTER, LIFT THE LOG SPLITTER BY THE HANDLES AT BOTH ENDS AND PLACE IT ON A 60-75CM HIGH, STABLE, FLAT AND LEVEL WORK SURFACE.

NEVER USE THE LOG SPLITTER IF IT IS NOT IN PERFECT ORDER OR IF IT NEEDS SERVICING. BEFORE STARTING WORK, CHECK CORRECT FUNCTIONING OF ALL THE CONTROLS (HYDRAULIC LEVER, PUSH BUTTON).

! CAUTION

FAILURE TO LOOSEN THE BLEED SCREW WILL RESULT IN AIR BEING COMPRESSED AND DECOMPRESSED IN THE HYDRAULIC SYSTEM. CONTINUOUS AIR COMPRESSION AND DECOMPRESSION WILL BLOW OUT THE SEALS OF THE HYDRAULIC SYSTEM AND CAUSE PERMANENT DAMAGE TO THE LOG SPLITTER.

! CAUTION

DO NOT ADJUST THE MAXIMUM PRESSURE LIMITING SCREW. THE PRESSURE LIMITING SCREW HAS BEEN SEALED AT THE FACTORY TO PREVENT UNAUTHORIZED ADJUSTING. RESETTNG THE SCREW WILL CAUSE THE HYDRAULIC PUMP TO FAIL TO OUTPUT ENOUGH SPLITTING PRESSURE OR CAUSE TOO MUCH PRESSURE, WHICH MAY RESULT IN SERIOUS INJURY, AS WELL AS DAMAGE TO THE MACHINE.

IMPORTANT

BEFORE OPERATING THE LOG SPLITTER, THE BLEED SCREW SHOULD BE LOOSENED BY 3-4 ROTATIONS SO AIR CAN GO IN AND OUT OF THE OIL TANK SMOOTHLY. AIR FLOW THRU THE BLEED SCREW HOLE SHOULD BE DETECTABLE DURING LOG SPLITTER OPERATION. BEFORE MOVING THE LOG SPLITTER, MAKE SURE THE BLEED SCREW IS TIGHTENED TO AVOID OIL LEAKAGE FROM THIS POINT. (SEE FIGURE 2)

ASSEMBLY

1. Attach the control lever assembly by screwing the knob to the end of the lever. **(SEE FIGURE 3)**
2. Bolt the rolling wheel bracket to the log splitter beam and log cradles using the four M6-1 x 12 bolts and corresponding lock and flat washers provided. **(SEE FIGURE 3)**
3. Attach safety guard lever to the top of the rolling wheel bracket with M6-1 x 12 bolts provided. **(SEE FIGURE 3)**

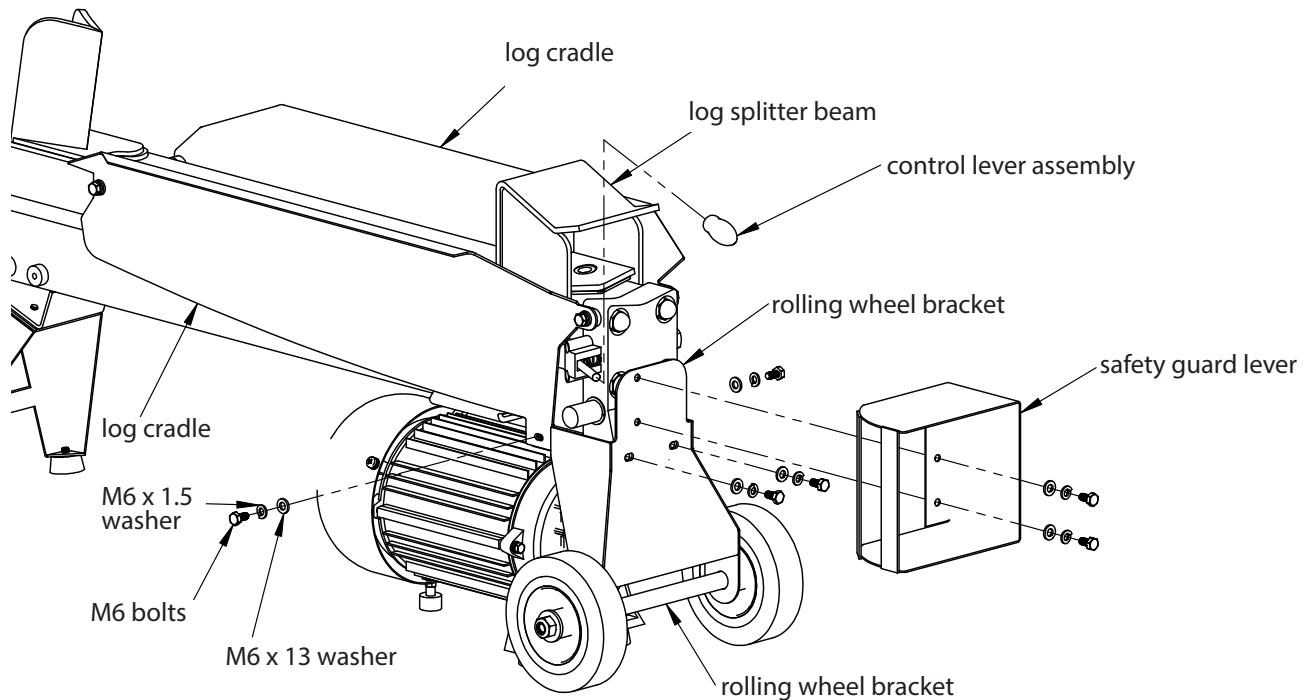


Figure 3

4. Assemble the handle bars by attaching the completed handle bar assembly to the log splitter beam using the M6 x 12 bolts, the M6 x 1.5 washer, and the M6 x 13 x 1.75 washers provided. **(SEE FIGURE 4)**

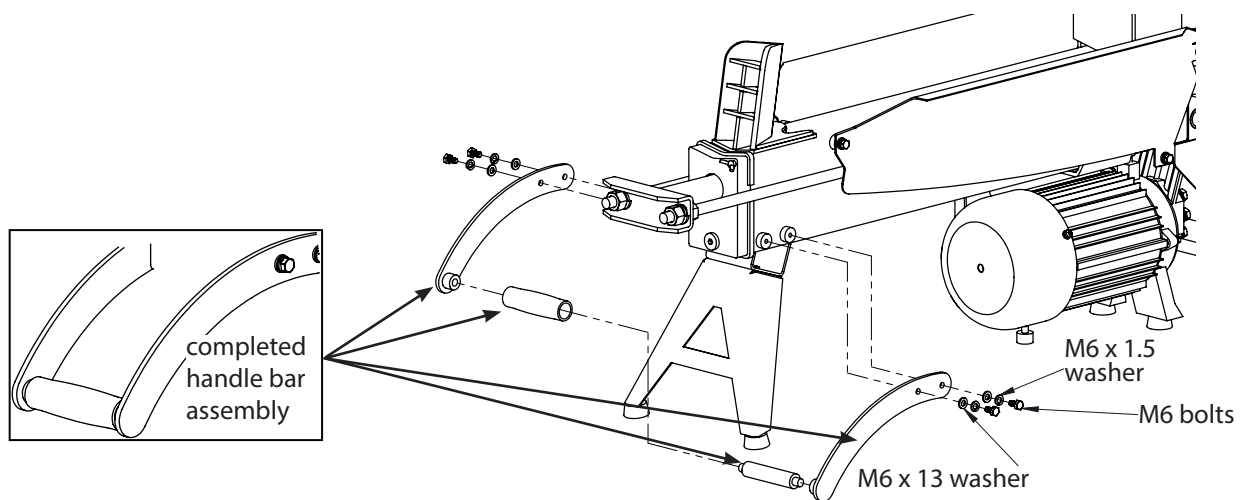


Figure 4

LOG SPLITTER OPERATION

The Earthquake 5-Ton Electric Log Splitter requires the use of both hands to operate. The user's left hand controls the hydraulic control lever, while the right hand controls the push button switch. The log splitter will freeze upon absence of either hand. The log pusher will return back to the starting position only after both hands release the controls. (SEE FIGURE 5)

Split the log in the direction of its grain. Placing logs across the log splitter for splitting is dangerous and may seriously damage the machine. Do not attempt to split two logs at the same time.

FREEING A JAMMED LOG

1. Release both controls.
2. Once the log pusher completely stops at its starting position, insert a wood wedge under the jammed log. (SEE FIGURE 7)
3. Start the log splitter to push the wood wedge under the jammed log.
4. Repeat above procedure with sharper sloped wood wedges until the log is completely freed.

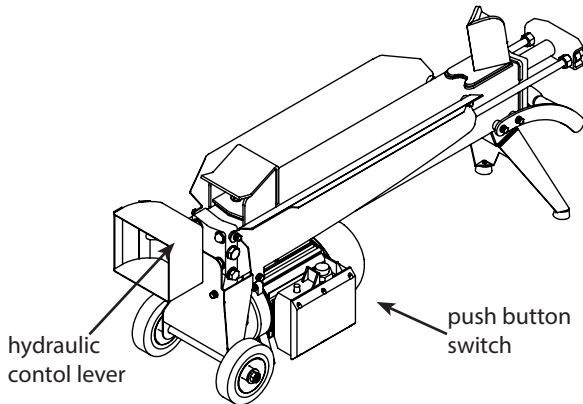


Figure 5

CAUTION

NEVER FORCE PRESSURE ON THE LOG SPLITTER FOR MORE THAN 5 SECONDS IN ORDER TO SPLIT EXCESSIVELY HARD WOOD.

CAUTION

ALWAYS SET LOGS FIRMLY ON THE LOG CRADLE AND WORK TABLE. MAKE SURE LOGS WILL NOT TWIST, ROCK OR SLIP WHILE BEING SPLIT. DO NOT FORCE THE BLADE BY SPLITTING THE UPPER PART OF THE LOG. THIS WILL BREAK THE BLADE OR DAMAGE THE MACHINE. (SEE FIGURE 6)

CAUTION

DO NOT TRY TO KNOCK THE JAMMED LOG OFF THE WEDGE USING A HAMMER OR OTHER DEVICE. (SEE FIGURE 8)



Figure 7

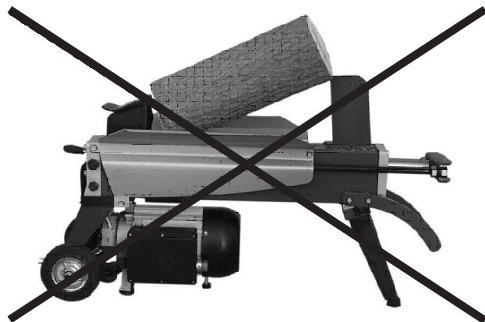


Figure 6

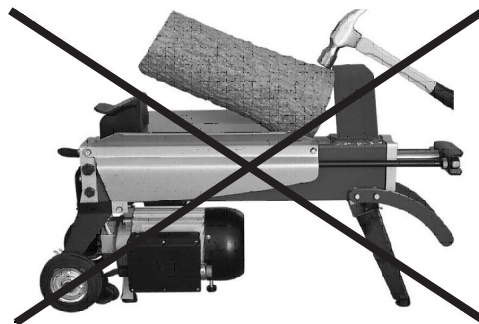


Figure 8

MAINTENANCE

REPLACING HYDRAULIC OIL

Replace the hydraulic oil in the log splitter after every 150 hours of use. Take the following steps to replace the oil.

1. Make sure all moving parts are stopped and the log splitter is unplugged.
2. Remove oil drain bolt and dipstick. Make sure bleed screw is closed tight. **(SEE FIGURE 9)**
3. Turn the log splitter on the support leg side over using a one gallon or larger capacity container to drain the hydraulic oil. **(SEE FIGURE 10)**
4. Turn the log splitter on the motor side. **(SEE FIGURE 11)**
5. Refill with 3.75 quarts of fresh hydraulic oil.
6. While keeping the log splitter vertical, clean the surface of dipstick on the oil drain bolt and put it back into the oil tank.
7. Make sure the level of the refilled oil is between the two grooves around the dipstick.
8. Clean the oil drain bolt before re-threading it back in. Make sure the bolt is tightened to avoid leakage before placing the log splitter horizontally.

IMPORTANT: LOOSEN BLEED SCREW 3-4 TURNS BEFORE OPERATION.

Periodically check oil level to ensure it is between the two grooves around the dipstick. If the level is below the lower limit, fill until level is correct.

The following hydraulic oils, or equivalent, are recommended for the log splitter's hydraulic pump:

SHELL Tellus 22

MOBIL DTE 11

ARA Vitam GF 22

BP Energol HLP-HM 22

SHARPENING WEDGE

When the log splitter wedge becomes dull and/or worn, sharpen the wedge using a fine-toothed file and smooth any burrs or crushed areas along the cutting edge.

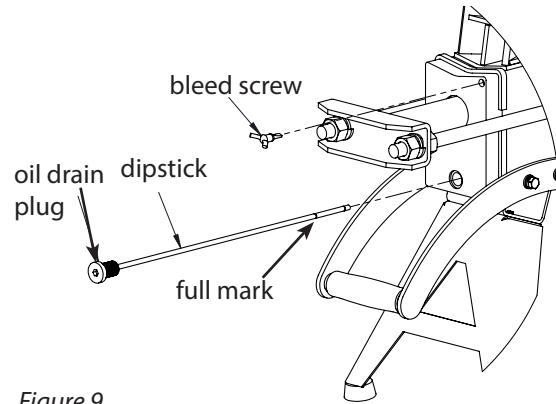


Figure 9

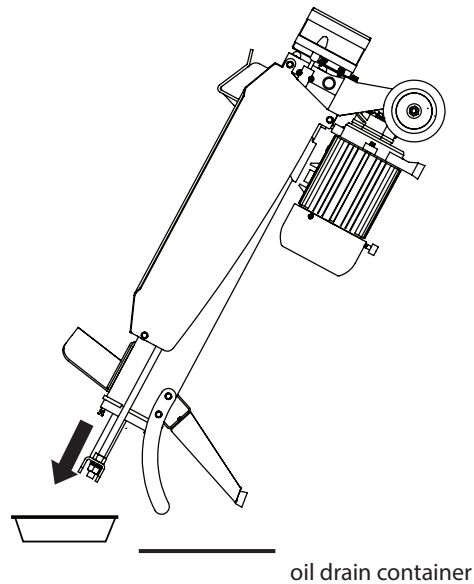


Figure 10

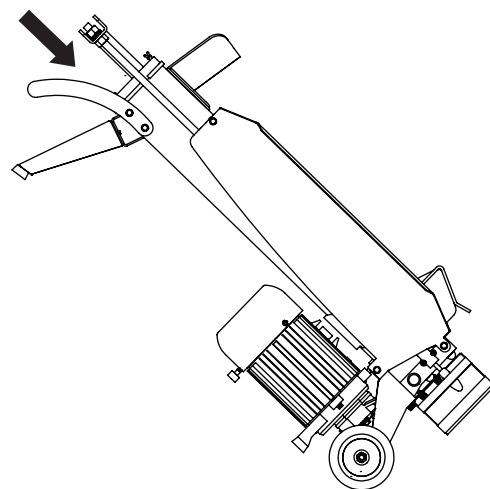


Figure 11

SERVICE, TROUBLESHOOTING AND REPAIR

SERVICE INFORMATION

IMPORTANT

IN CASE OF A SERVICE PROBLEM, DO NOT SEND UNIT BACK TO RETAILER. CONTACT ARDISAM, INC., AT 1-800-345-6007, ANY TIME MONDAY THROUGH FRIDAY FROM 8 A.M. TO 5 P.M. WE WELCOME YOUR CALL.

In the event you experience trouble operating your log splitter, follow the suggestions in the troubleshooting guide in this section.

The guide will help you pinpoint the causes of common problems and identify remedies.

For more complicated repairs you may want to rely on your retailer, an authorized mechanic, or Ardisam, Inc. (contact your retailer for a list of authorized mechanics in your area). A parts catalog is included in this section.

We will always be glad to answer any questions you have, or help you find suitable assistance. To order parts or inquire about warranty, call or write us at the address found in the next column, under the section ordering repair parts.

ORDERING REPAIR PARTS

Parts can be obtained from the store where your mini log splitter was purchased or direct from the factory. To order from the factory, call or write to:

Ardisam, Inc.

1160 Eighth Avenue, Cumberland, WI 54829

Phone 800-345-6007 Main Fax (715) 822-2223

E-mail info@getearthquake.com

Please include the following information with your order:

1. Part numbers
2. Part description
3. Quantity
4. Model number and serial number

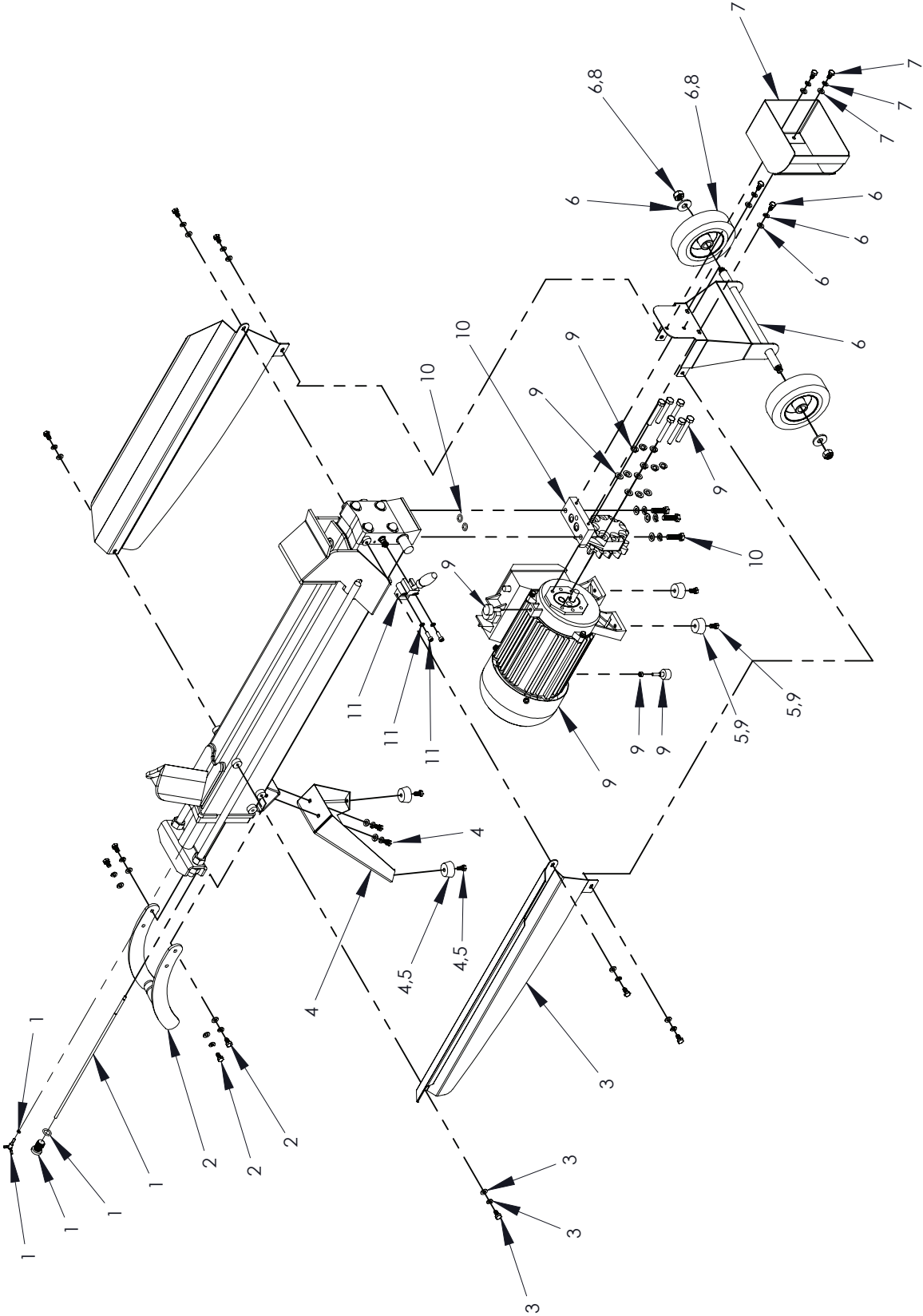
Minimum Order.....\$10

TROUBLESHOOTING

PROBLEM	POSSIBLE CAUSE	REMEDY/ACTION
Fails to split logs	1. Log is improperly positioned	1. Refer to Log Splitter Operation Section for log loading
	2. The size or hardness of the log exceeds the capacity of the machine	2. Reduce the log size before splitting on the log splitter
	3. Wedge cutting edge is blunt	3. Refer to Sharpening Wedge Section to sharpen the cutting edge
	4. Oil leaks	4. Locate leak(s) and contact the dealer
	5. Unauthorized adjustment was made onto the maximum pressure limiting screw	5. Contact the dealer
The log pusher moves with a jerking motion, makes an unfamiliar noise or vibrates excessively	1. Lack of hydraulic oil and excessive air in the hydraulic system	1. Check oil level for possible oil refilling. Contact the dealer.
Oil leak occurs around cylinder ram or from other points	1. Air sealed in hydraulic system while operating	1. Loosen bleed screw 3-4 rotations before operating the log splitter
	2. Bleed screw is not tightened before moving the log splitter	2. Tighten the bleed screw before moving the log splitter
	3. Oil drain bolt with dipstick is not tight	3. Tighten the oil drain bolt with dipstick
	4. Hydraulic control valve assembly and/or seal(s) worn	4. Contact the retailer

Contact service provider if above remedies fail.

W1200 MINI ELECTRIC LOG SPLITTER BREAKDOWN



W1200 5-TON ELECTRIC LOG SPLITTER PARTS LIST

KEY NO.	PART NO.	DESCRIPTION	QTY.
1	11687	DIPSTICK AND BREATHER KIT	1
2	11688	HANDLE REPLACEMENT KIT	1
3	11689	LOG CRADLE REPLACEMENT KIT	1
4	11690	LEG REPLACEMENT KIT	1
5	11691	RUBBER FEET KIT	1
6	11692	WHEELS AND AXLE KIT	1
7	11693	SAFETY GUARD KIT	1
8	11919	WHEELS 16 MM X 120 MM X 35 MM KIT	1
9	W120001	MOTOR ASSEMBLY W1200	1
10	W1200247	PUMP W1200 KIT	1
11	W1200248	CONTROL LEVER ASSEMBLY KIT	1



W1200 5-TON LOG SPLITTER

Warranty Terms and Conditions

PRODUCT WARRANTY: 1-YEAR LIMITED WARRANTY

Ardisam, Inc., a manufacturing company, warrants this **EARTHQUAKE™ 5-TON LOG SPLITTER** to be free from defects in the material or workmanship for a period of one year from the date of purchase. During the one-year warranty of this product, Ardisam will furnish, at their discretion, parts and labor to correct any defect caused by faulty material or workmanship. Any unit used in a commercial application is covered for a period of 90 days after purchase. This warranty applies to the original owner with a proof of purchase and is not transferable. For the warranty to be valid, the product must be registered online, or the warranty card must be filled out and received by Ardisam, Inc., within 30 days of purchase.

*These warranties apply only to products which have not been subjected to negligent use, misuse, alteration, accident, unauthorized parts, failure to use proper fuel and oil, or if repairs have been performed at non-authorized service centers. These warranties supersede all other warranties either expressed or implied and all other obligations or liabilities on our part. Ardisam, does not assume, and does not authorize any other person to assume for us, any liability in connection with the sale of our products. **To be at "No Charge," warranty work must be sent directly to Ardisam, Inc. or one of our authorized service centers and performed by them.** To obtain warranty service and/or replacement instructions, contact our customer service department. If you choose to ship your product to Ardisam for warranty repair, you must first have prior approval from Ardisam by calling our customer service department for a return material authorization number (RMA#). Under these circumstances, all items must be shipped prepaid. Ardisam will at no charge, repair or replace, at their discretion, any defective part which falls under the conditions stated above. Ardisam retains the right to change models, specifications and price without notice.

NOTE: For detailed information on this product's Engine Warranty, refer to the warranty section in the Viper Engine Manual that accompanies this Operator's Manual.

EARTHQUAKE™
A Division of Ardisam, Inc.
1160 Eighth Avenue; P.O. Box 666
Cumberland, Wisconsin 54829
800-345-6007 · Fax (715) 822-4180
E-mail: info@getearthquake.com

Earthquake

Earthquake™, Division of Ardisam, Inc.
1160 8th Avenue, PO Box 666
Cumberland, WI 54829
800-345-6007 | Fax 715-822-2223
Email: info@getearthquake.com

All weights, specifications and features are approximate and are subject to change without notice. Due to continuous product improvements, product images may not be exact. Items used for props not included. Some assembly may be required.

Check for parts online at www.getearthquake.com or call 800-345-6007 M-F 8-5