

dyson airblade^{Mk2}

**AB
06**

Electrical

Input voltage/Frequency: 110V-120V 60 Hz

Rated power: 1400 W

Motor type: Dyson digital motor – V4 brushless DC Motor

Motor switching rate: 6,100 per second

Motor speed: 92,000 rpm

Operating temperature range: 0°– 40°C

Heater type: None

Standby power consumption: Less than 0.5 W

Construction

Casing construction: Die cast aluminium casing

Antimicrobial coating type: Lacquer applied to main
facia surface. Molded additive on blades.

Bacterial reduction rate from external surfaces: Up to 99.9% over 24 hours

Color finish: Silver

Light reflective value: 39.9

Galvanized steel back plate/mounting bracket

Exterior screw type: Anti-tamper M6 machine screw

Water ingress protection to IPX5

Filter

HEPA filter (glass fiber and fleece prelayer)

Bacteria removal 99.97% at 0.3 microns

Operation

Touch-free infra-red activation

Hand dry time measurement: 12 seconds.

(Measurement based on National Sanitation Foundation Protocol P335)

Operation lock-out period: 30 seconds

Airspeed at apertures: 420 mph

Operating airflow: Up to 7.39 gal/sec

Rated operating noise power: 84 db(A)

Logistics

Serial number prefix: AM5

Single unit order code: 25845-01

Net weight: 29.5 lbs.

Packaged weight: 35.9 lbs.

Packaged dimensions: H28.81" × W14.01" × D11.97"

Unit barcode: 8799 5700 8502

Standard warranty

5 year parts and first year limited labor warranty



Product range

AB06 Silver



The Carbon Reduction Label is the registered trade mark of the Carbon Trust. HACCP International Non-food Certification Mark is the registered trade mark of the International HACCP Alliance. The NSF logo is the registered trade mark of NSF International.

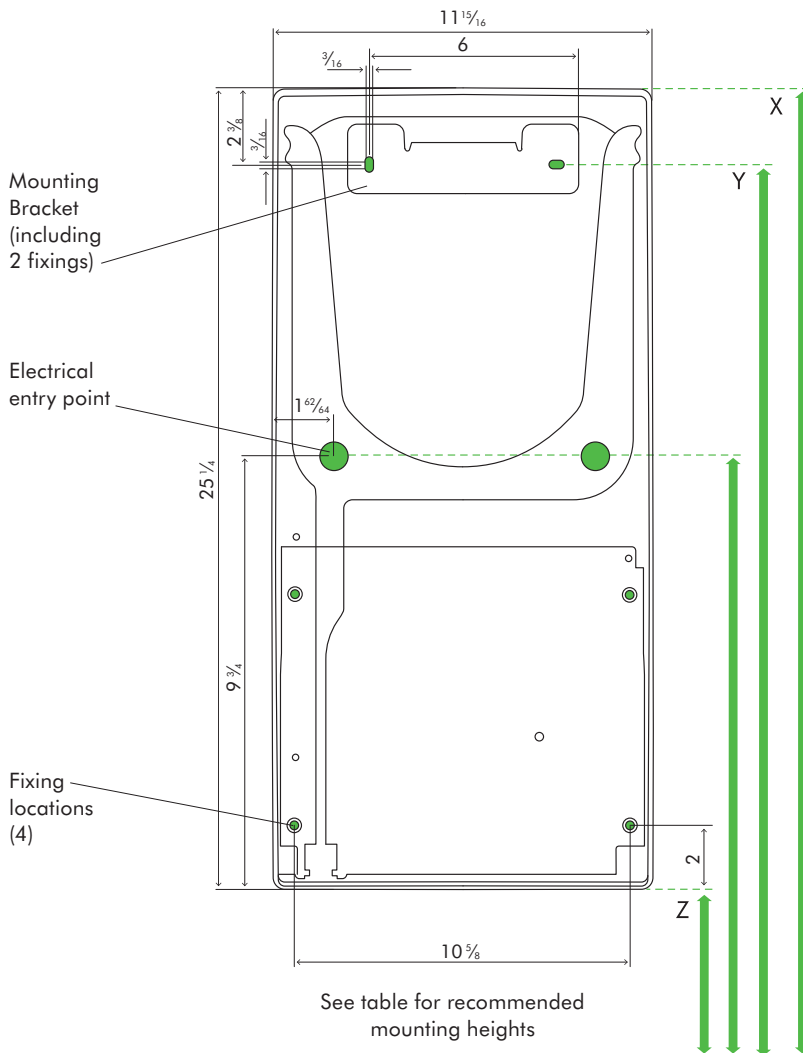
For further information, please contact Dyson.
888-DYSON-AB • www.dyson.com/handdryers



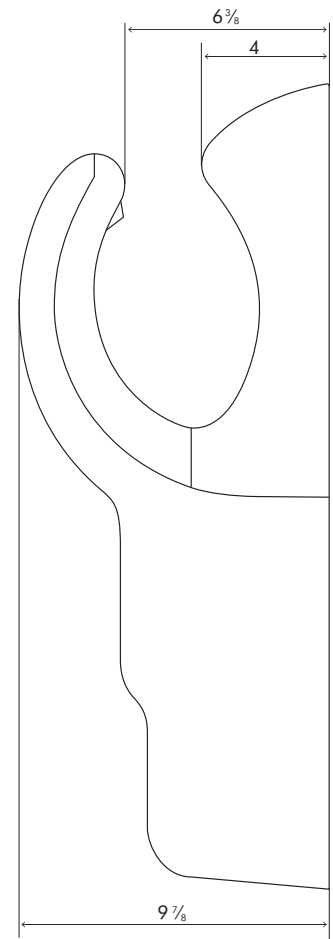
TECHNICAL SPECIFICATION

**AB
06**

REAR ELEVATION



SIDE ELEVATION



All dimensions shown in inches (+/- 3/16 inches)

FLOOR

Recommended installation heights from floor

| | | | |
|-------------------|-------------|------------|------------|
| Male | X 41 3/8" | Y 39" | Z 16 3/16" |
| Female | X 38 7/16" | Y 36 2/16" | Z 13 3/16" |
| Child or disabled | X 34 15/16" | Y 32 6/16" | Z 9 1/4" |

Machine dimensions

Height 25 1/4" Width 11 15/16" Depth 9 3/4"

Minimum clearance

7 7/8 inches from floor; 2 inches clearance either side and above machine.

Cable entry point from floor

| | |
|-------------------|-----------|
| Male | 29 3/8" |
| Female | 26 3/8" |
| Child or disabled | 22 14/16" |