

Electrical

Electrical supply: 110-120 V AC, 60 Hz, requires a dedicated circuit
 Rated power: 1400 W
 Motor type: Dyson digital motor. Switched reluctance brushless
 Motor speed: 81,000 rpm
 Heater type: None
 Standby power consumption: 1 W
 Energy consumption per dry: 0.00468 kwh

Construction

Die-cast aluminum casing with anti-microbial scuff resistant lacquer coating on exterior surfaces
 Color finish: Silver, gloss lacquer
 Light reflective value: 39.9
 Anti-microbially integrated external plastics and seals
 Pressed anti-rust steel back plate / mounting bracket
 Tamper-proof T30 type exterior screws
 Water ingress protection to IPX 5

Filtration

Anti-microbial HEPA filter
 Particulate removal tested to 99.5% at 0.15 μ MPPS according to EN1822
 Bacteria removal 99.97%

Operation

Touch-free infra-red activation
 Hand dry time: 12 seconds (measured to method defined by National Sanitation Foundation protocol P335)
 Airspeed at apertures: 400 mph
 Operating airflow: 66 CFM
 Rated operating noise power: 84 db(A)

Logistics

Single unit order code: 13043-01
 Unit weight: 34.2 lb
 Packaged weight: 39.7 lb
 Packaged dimensions: 28.7" × 14.1" × 11.9"
 Pallet count: 13
 Pallet type: US
 Unit barcode: 879957001275

Standard warranty

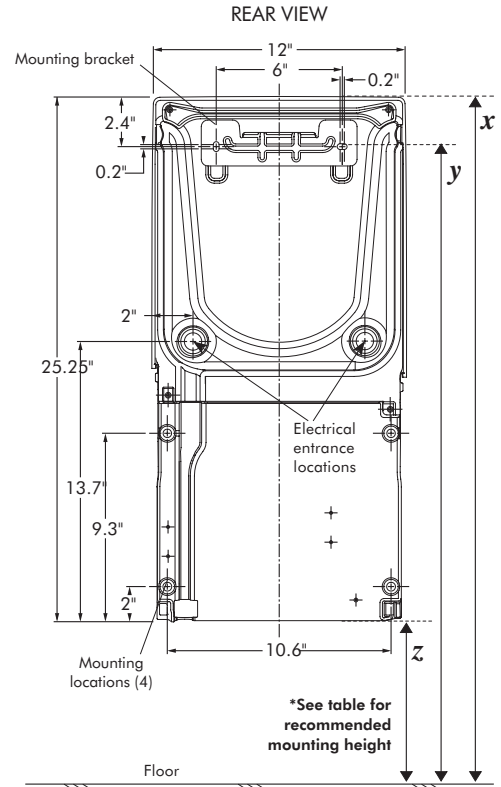
5 year parts, 1st year labor limited

Product Certification

ETL listed in accordance with UL 507
 ADA Compliant
 Approved for food environments by HACCP International

*Recommended installation heights measured from floor	Male	Female	Child or Disabled
x To top of machine	41.5"	38.5"	34.5"
y To mounting bracket screw	39"	36"	32"
z To bottom of machine	16.25"	13.25"	9.25"

Minimum: 6" from floor, 3" clearance either side and above machine.



SIDE VIEW

