

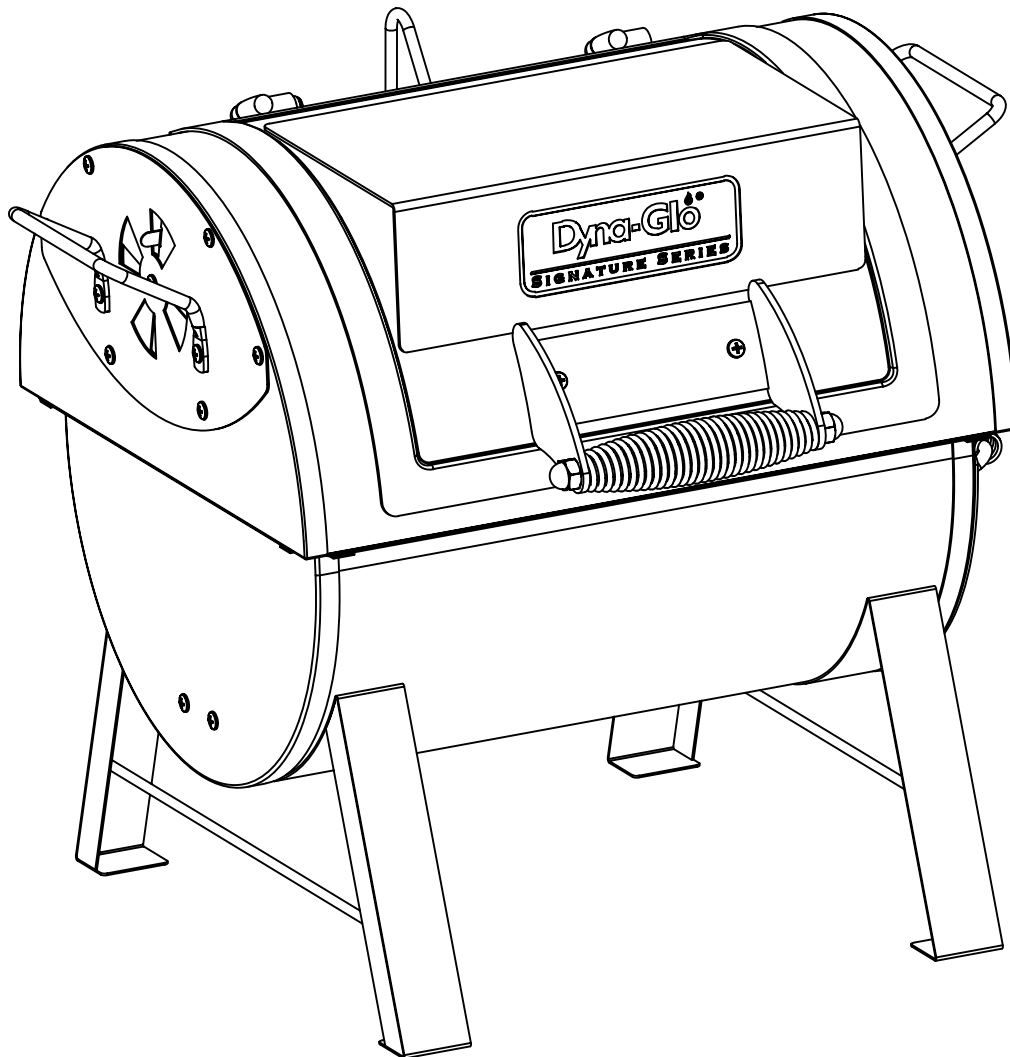


# Heavy-Duty Charcoal Grill & Offset Smoker Box

MODEL #DGSS287CB-D /  
DGSS287CB

Français p. 24

Español p. 47



ATTACH YOUR RECEIPT HERE

Serial Number \_\_\_\_\_ Purchase Date \_\_\_\_\_



**Questions, problems, missing parts?** Before returning to your retailer, call our customer service department at 1-877-447-4768, 8:30 a.m. – 4:30 p.m. CST, Monday – Friday or log on to [customerservice@ghpgroupinc.com](mailto:customerservice@ghpgroupinc.com).

## TABLE OF CONTENTS


---

Safety Information .....	2
Package Contents .....	4
Hardware Contents .....	5
Preparation .....	5
Assembly Instructions .....	6
Operation Instructions .....	16
Tips On Smoking .....	19
Care and Maintenance .....	21
Warranty .....	22
Replacement Parts List .....	23

## SAFETY INFORMATION

---

Please read and understand this entire manual before attempting to assemble, operate, or install the product. If you have any questions regarding the product, call our customer service department at 1-877-447-4768, 8:30 a.m.- 4:30 p.m. CST, Monday - Friday or log on to [customerservice@ghpgroupinc.com](mailto:customerservice@ghpgroupinc.com).

 Use caution when lifting and moving the unit to avoid back strain or back injury. Do not move the unit while it is in use.

- **DO NOT** operate the unit near or under flammable or combustible materials such as decks, porches, or carports.
- A minimum clearance to combustible construction is 36 in. (91.4 cm) from sides and back.
- **DO NOT** operate the unit under overhead construction.
- **DO NOT** use this smoker and grill as a heater.
- Operate the unit on a stable, level, noncombustible surface such as asphalt, concrete, or solid ground.
- **DO NOT** operate the unit on flammable material such as carpet or wood deck.
- Use caution when assembling and operating this unit, to avoid cuts and scrapes from edges.

## SAFETY INFORMATION

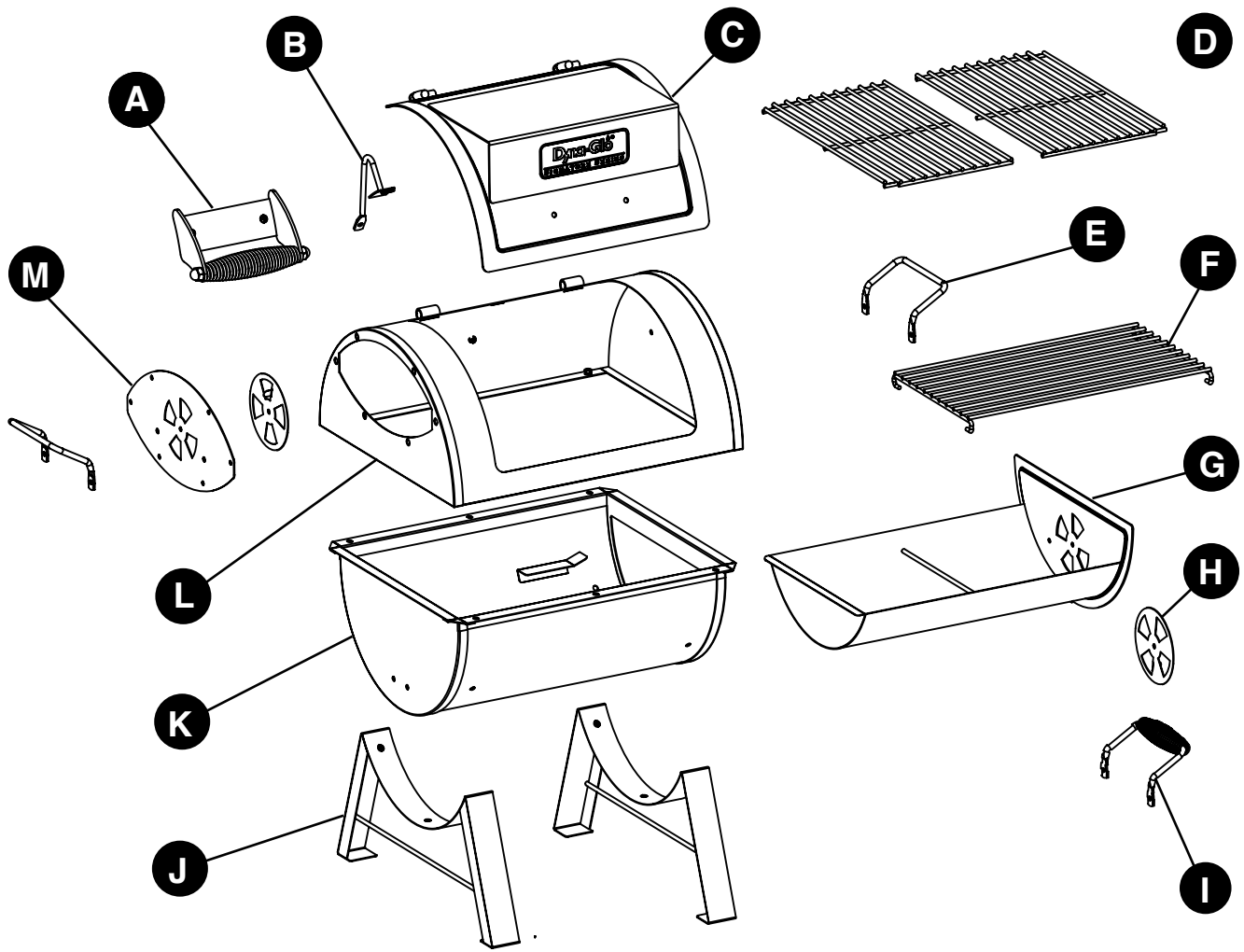
---

- **DO NOT** use this product in a manner other than its intended purpose. It is NOT intended for commercial use. It is NOT intended to be installed or used in or on a recreational vehicle and/or boats.
- **DO NOT** store this unit near gasoline or other combustible liquids or where other combustible vapors may be present.
- **DO NOT** use or store or operate this unit in an area accessible to children or pets. Store this unit in a dry protected location.
- **DO NOT** leave the unit unattended while in use.
- **DO NOT** leave hot ashes unattended, until the unit cools completely.
- **DO NOT** move the unit while in use, or while ashes are still hot. Allow the unit to cool completely before moving or storing.
- **NEVER** use gasoline, kerosene, Zippo/Ronson lighter fluid, or other highly volatile fluids as a starter.
- Always cook your food on the grate after the flame is burned out.
- Dispose of cold ashes by wrapping them in heavy-duty aluminum foil and placing in a noncombustible container. Make sure that there are no other combustible materials in or near the container.
- If you must dispose of ashes in less time than it takes for the ashes to completely cool down, remove the ashes from the unit using heat-resistant gloves along with long metal tongs or fireplace shovel. Place the coals in aluminum foil and soak them completely with water before disposing of them in a noncombustible container.
- Allow the unit to cool completely before conducting any routine cleaning or maintenance.
- This product will be hot during and after use. Use insulated oven mitts, or gloves, for protection from hot surfaces or splatter from cooking liquids.
- Use caution when opening the lid of the unit while in operation. Keep hands, face and body safe from hot steam or flare-ups. **DO NOT** inhale smoke.
- **DO NOT** wear loose clothing while operating the unit. Tie back long hair while operating the unit.
- **ALWAYS** wear shoes that fully cover your feet while operating the unit.
- **NEVER** use glassware, plastic or ceramic cookware on or in the unit. Use metallic cookware only.
- Use of accessories not intended for this unit is not recommended and may lead to injury or property damage.

### CALIFORNIA PROPOSITION 65

Fuels used in wood and charcoal burning appliances and the products of combustion of such fuels contain chemicals known to the State of California to cause cancer, birth defects or other reproductive harm. This product contains chemicals, including lead and lead compounds, known to the State of California to cause cancer, birth defects or other reproductive harm. ***Wash hands after handling.***

# PACKAGE CONTENTS



PART	DESCRIPTION	QUANTITY
A	Lid Handle	1
B	Lid Bracket	1
C	Lid	1
D	Cooking Grate	2
E	Side Handle - Left / Right	2
F	Charcoal Grate	1
G	Access Tray	1
H	Damper Plate - Tray and Firebox	2
I	Access Tray Handle	1
J	Leg Assembly - Left / Right	2
K	Firebox Bottom Section	1
L	Firebox Top Section	1
M	Firebox Adapter Plate	1

## HARDWARE CONTENTS

---

AA

BB

CC



M6 x 12  
Bolt

M6 Nut

M6 Lock Nut

Qty. 29

Qty. 9

Qty. 2

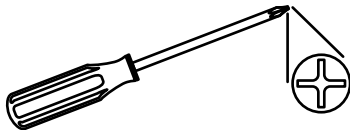
## PREPARATION

---

Before beginning assembly of product, make sure all parts are present. Compare parts with package contents list and hardware contents above. If any part is missing or damaged, do not attempt to assemble the product. Contact customer service for replacement parts.

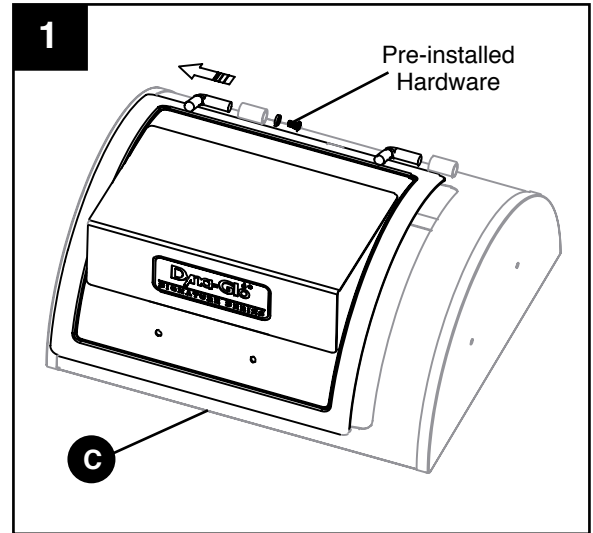
**Estimated Assembly Time: 30 minutes**

Tools Required for Assembly (not included): Phillips Screwdriver, Adjustable Wrench

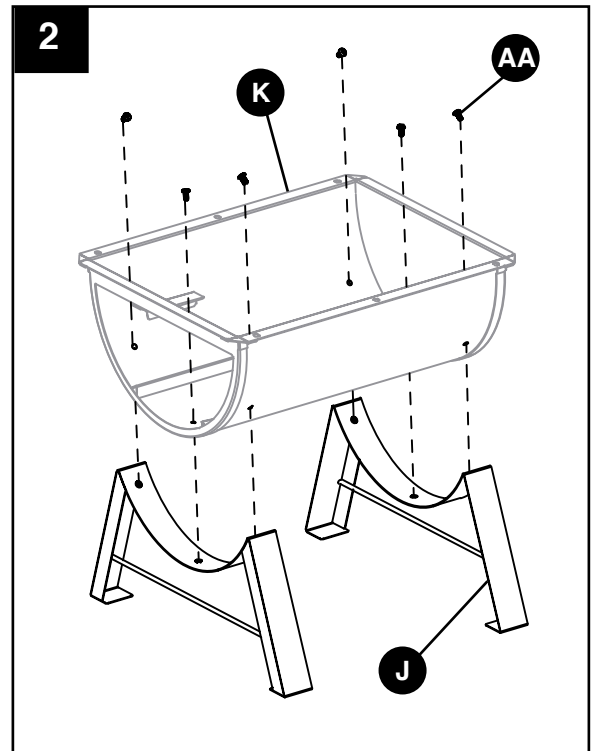


## ASSEMBLY INSTRUCTIONS

1. Remove the pre-installed bolt and washer from the left lid hinge and slide the lid (C) off the hinges.



2. Attach the left and right leg assembly (J) to the bottom section of the firebox (K) using three M6 x 12 bolts (AA) per leg.



### Hardware Used

**AA** M6 x 12mm Bolt x 6

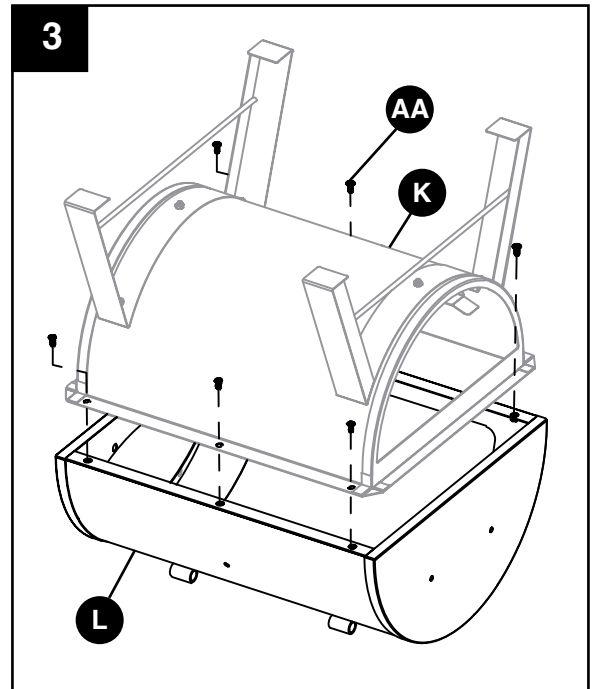


## ASSEMBLY INSTRUCTIONS

3. Attach bottom section of the firebox (K) to the top section (L) using six M6x12 bolts (AA).

### Hardware Used

**AA** M6 x 12mm Bolt x 6

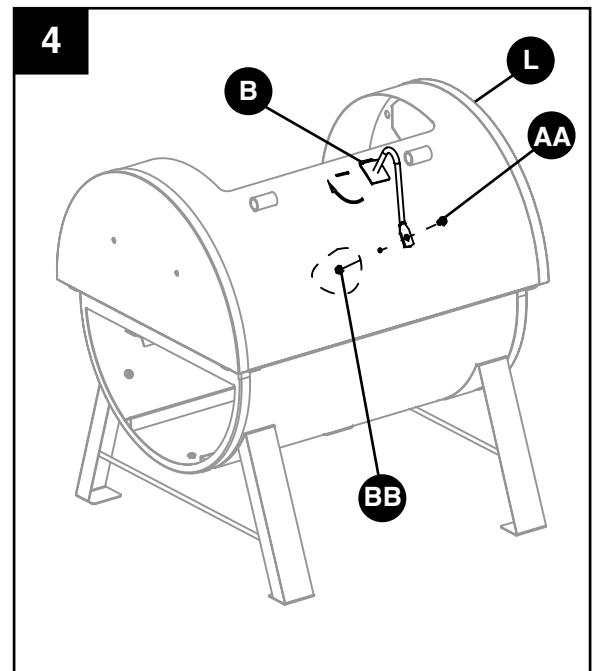


4. Insert the edge of the lid bracket (B) into the slotted opening on the top section of the firebox (L). Attach using one M6 x 12 bolt (AA) and one M6 nut (BB).

### Hardware Used

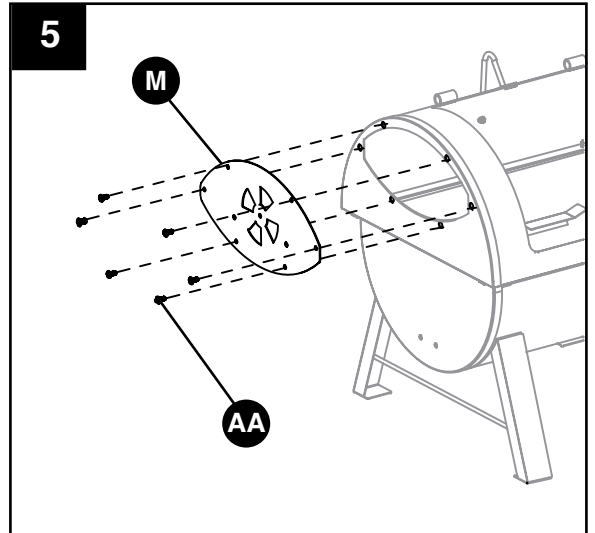
**AA** M6 x 12mm Bolt x 1

**BB** M6 Nut x 1




## ASSEMBLY INSTRUCTIONS

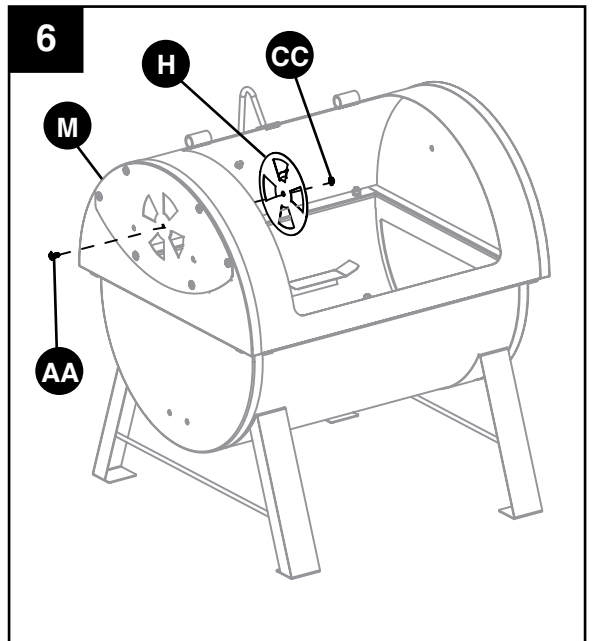
5. Attach the firebox adapter plate (M) using six M6 x 12 bolts (AA).





### Hardware Used

<b>AA</b>	M6 x 12mm Bolt		x 6
-----------	----------------	---	-----

6. Attach the damper plate (H) to the inside of the adapter plate (M) using one M6 x 12 bolt (AA) and one M6 lock nut (CC).



### Hardware Used

<b>AA</b>	M6 x 12mm Bolt		x 1
<b>CC</b>	M6 Nut Lock		x 1



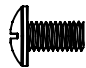

## ASSEMBLY INSTRUCTIONS

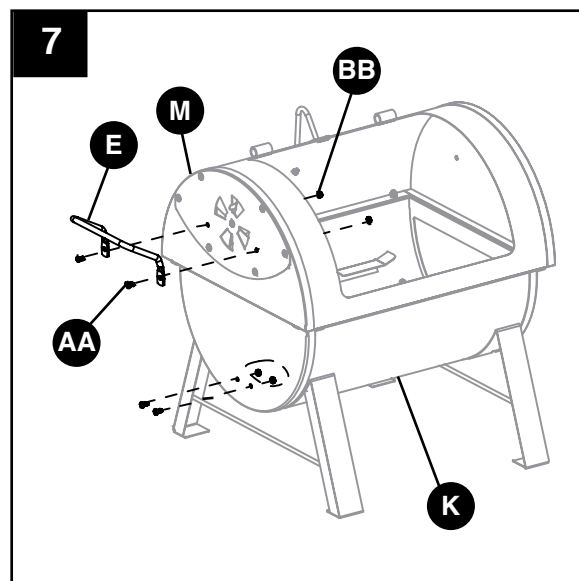
7. Attach the side handle (E) to the adapter plate (M) using two M6 x 12 bolts (AA) and two M6 nuts (BB).

Use two M6 x12 bolts (AA) and two M6 nuts (BB) for filling the two holes on the bottom section of the firebox (K).

Note: This grill is also compatible as an offset smoker box. The bottom holes are pre-drilled for use with a support bracket (not included). For more information on using this grill as an offset smoker box, see Page 13.

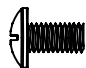

### Hardware Used

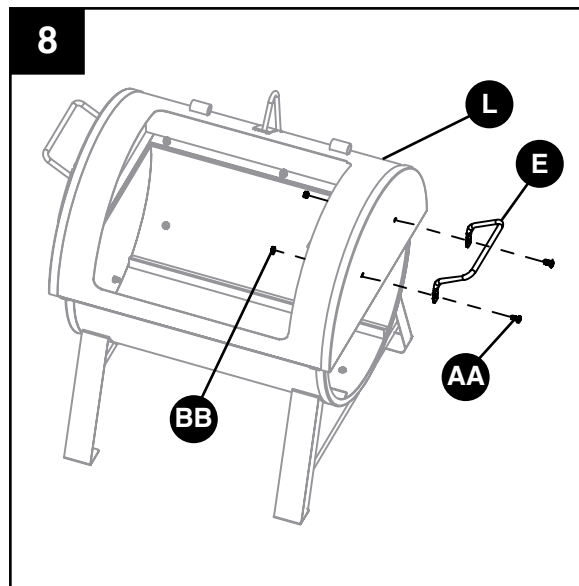
<b>AA</b>	M6 x 12mm Bolt		x 4
<b>BB</b>	M6 Nut		x 4



8. Attach the other side handle (E) to the top section of the firebox (L) using two M6 x 12 bolts (AA) and two M6 nuts (BB).

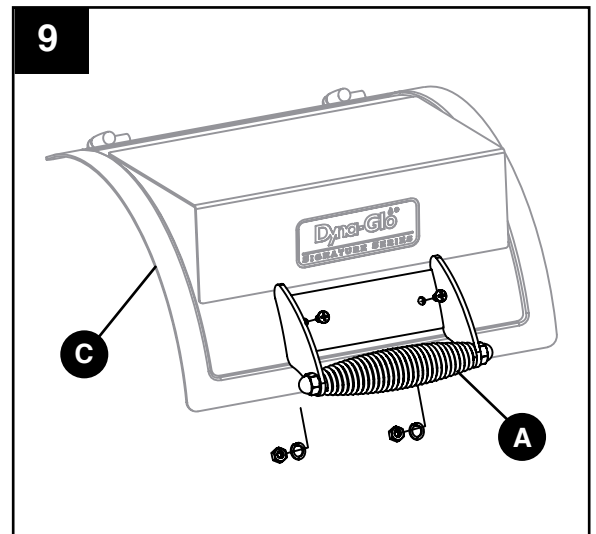
### Hardware Used

<b>AA</b>	M6 x 12mm Bolt		x 2
<b>BB</b>	M6 Nut		x 2

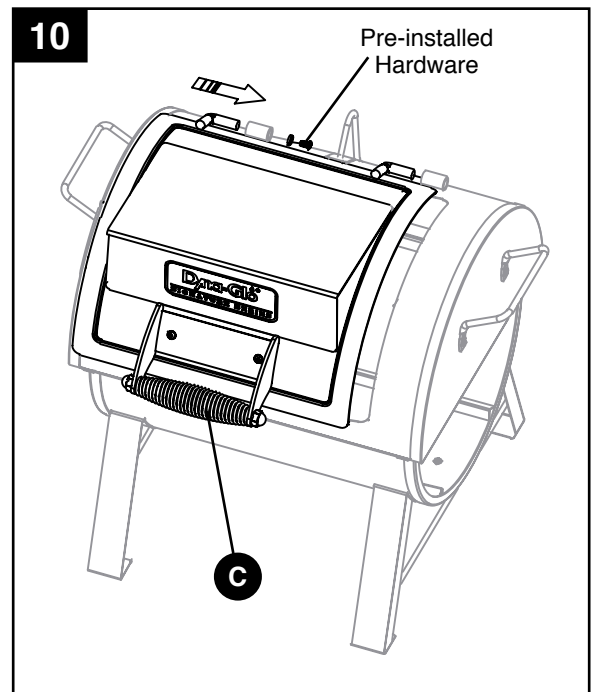


## ASSEMBLY INSTRUCTIONS

9. Attach the lid handle (A) to the lid (C) using the pre-installed bolts, washers and nuts.





10. Re-attach the lid (C) using the pre-installed washer and bolt.

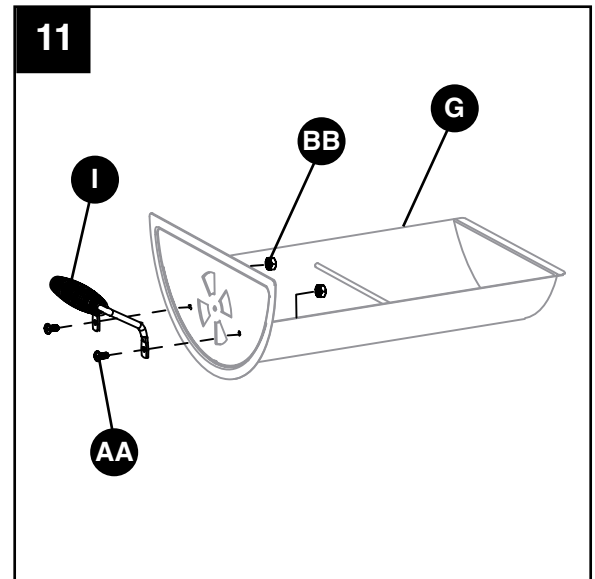


## ASSEMBLY INSTRUCTIONS

11. Attach the access tray handle (I) to the access tray (G) using two M6 x 12 bolts (AA) and two M6 nuts (BB).



### Hardware Used

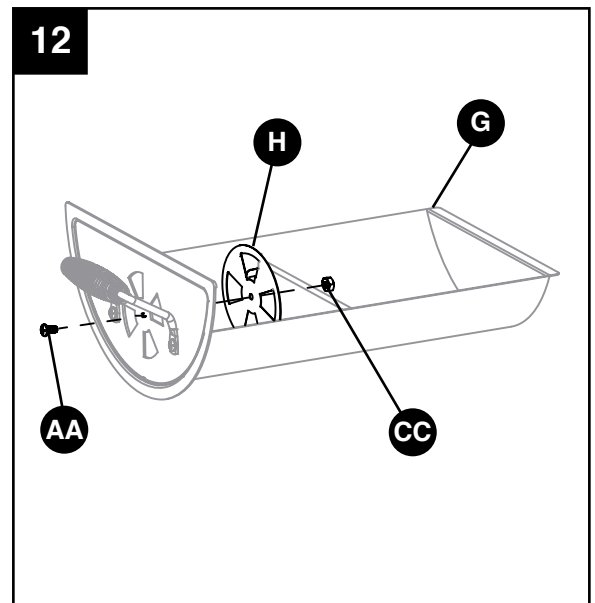
<b>AA</b>	M6 x 12mm Bolt		x 2
<b>BB</b>	M6 Nut		x 2



12. Attach the damper plate (H) to the inside of the access tray (G) using one M6 x 12 bolt (AA) and one M6 lock nut (CC).

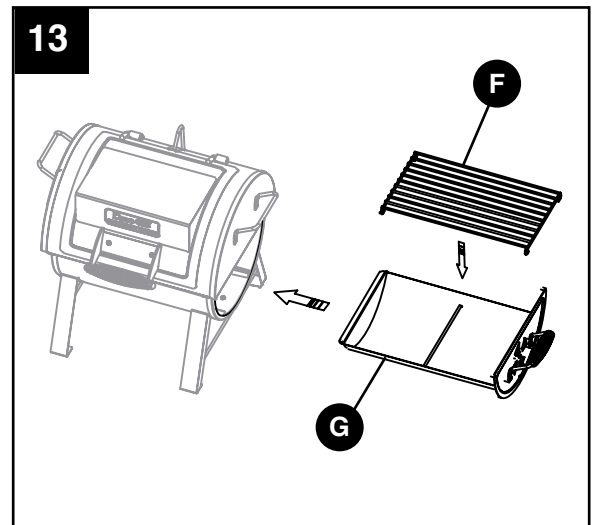
### Hardware Used

<b>AA</b>	M6 x 12mm Bolt		x 1
<b>CC</b>	M6 Lock Nut		x 1

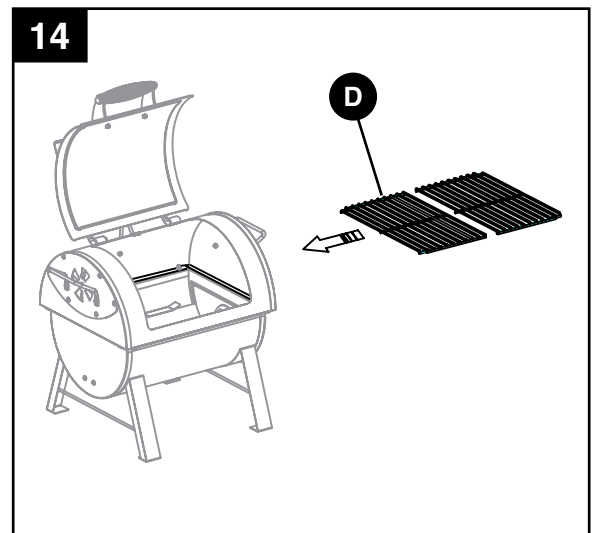


## ASSEMBLY INSTRUCTIONS

13. Place the charcoal grate (F) inside the access tray (G) and slide the tray into the offset smoker box.



14. Place the cooking grates (D) on the top rail of the firebox.



## ASSEMBLY INSTRUCTIONS

### Using the Firebox as an Offset Smoker (Optional).

This grill is also compatible as an offset smoker box for Dyna Glo grill models DGSS675CB-D and DGSS443CB-D.

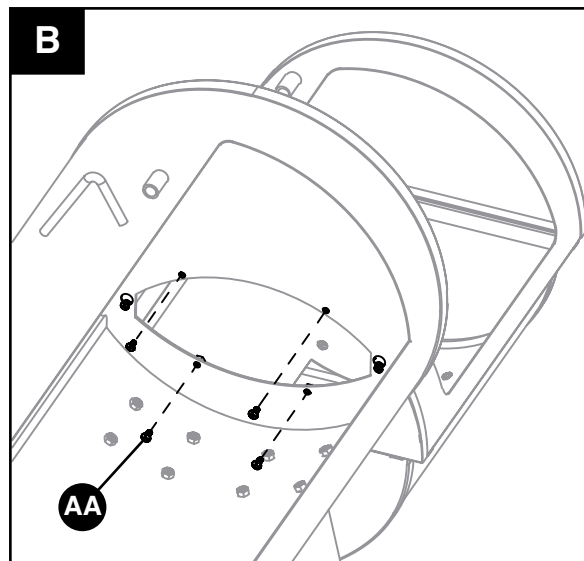
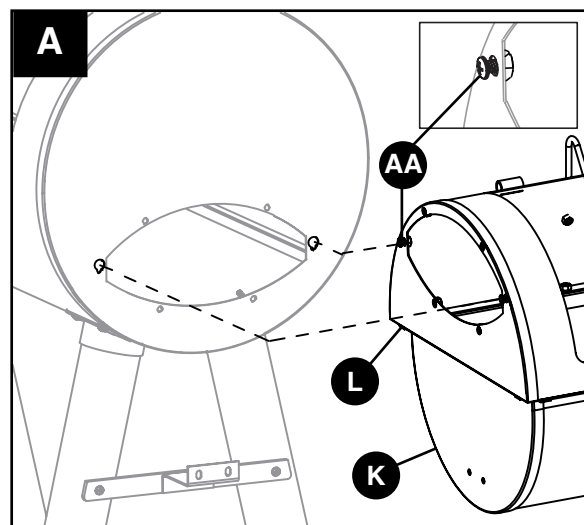
#### Optional Step A.

**NOTE: The leg assemblies (J) can remain on the offset smoker box, or removed prior to installing. When removing the legs, be sure to reinsert the M6 x 12 bolts into the holes on the bottom section of the grill/smoker body (K).**

To install the offset smoker box, remove the access door on the side of the primary grill and the adapter plate (Part M, not shown) on top section of the offset smoker box (L). Reuse the hardware from the adapter plate and insert two M6 x 12 bolts with at least 1/4" (6mm) of the bolt exposed on the left and right side of the opening on the top section of the smoker box (L). Insert the bolt heads inside the keyholes on the side of the primary grill. Do not tighten.

#### Optional Step B.

Insert the remaining four M6 x 12 bolts from inside the primary grill body and tighten all bolts - including the side bolts for the keyholes.



## ASSEMBLY INSTRUCTIONS



---

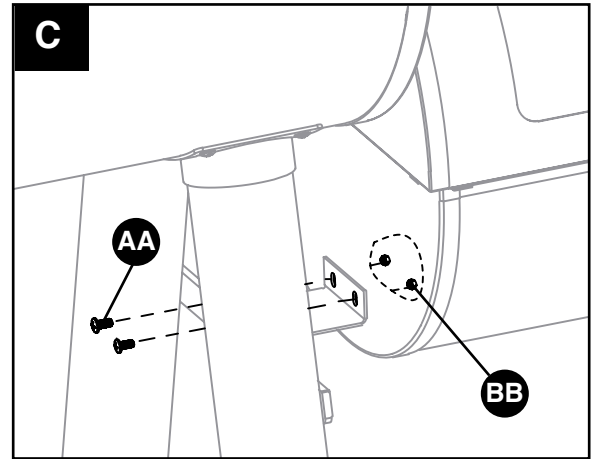
### Optional Step C.

Attach the offset box to the offset support bracket (not included) using the two M6 x 12 bolts (AA) and two M6 nuts (BB) that were included in the original hardware pack.

#### Hardware Used

---

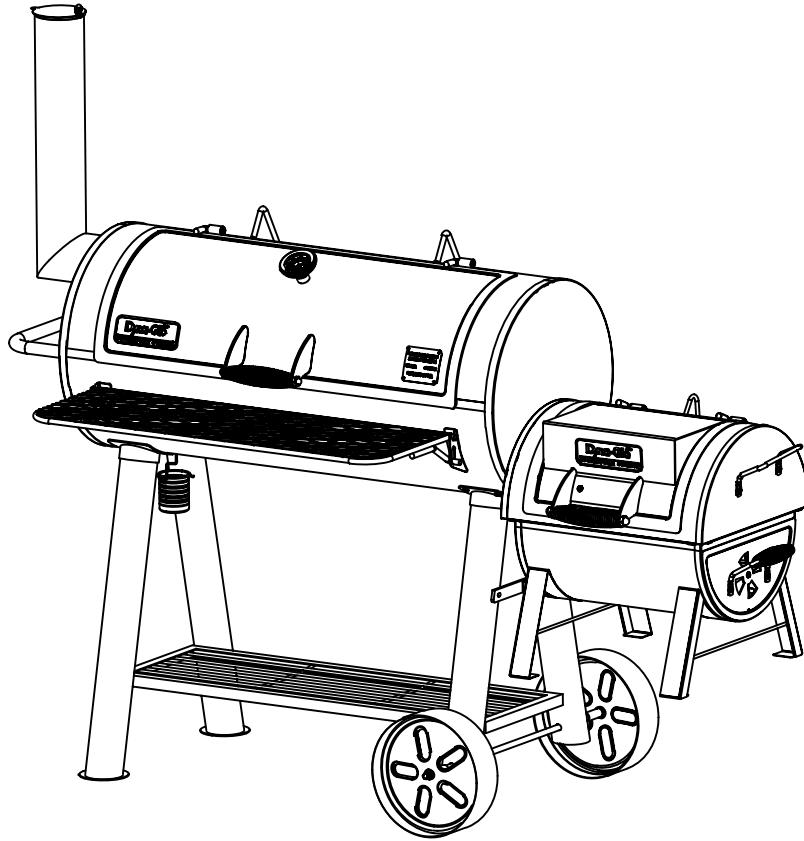
<b>AA</b>	M6 x 12mm Bolt		x 2
<b>BB</b>	M6 Nut		x 2



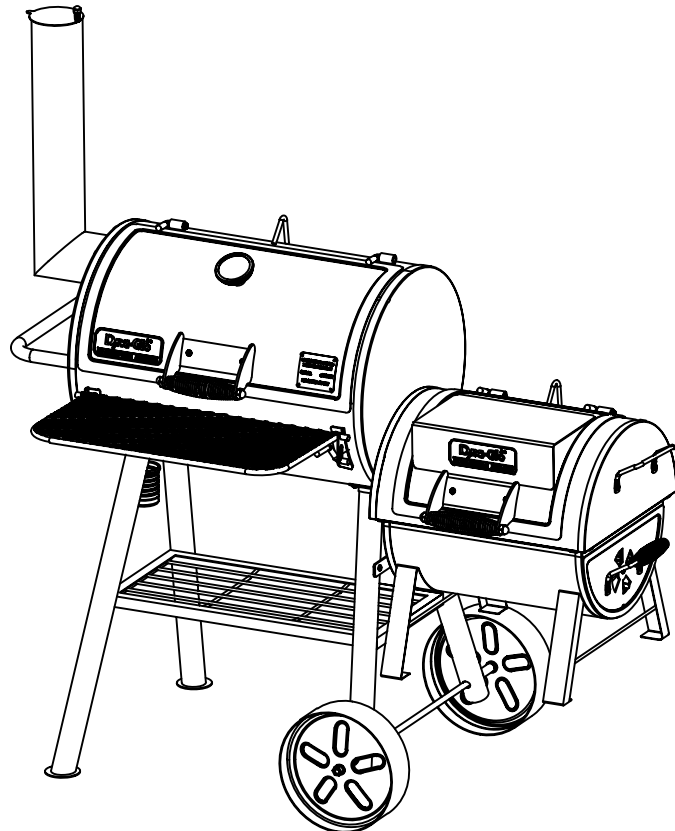
# ASSEMBLY INSTRUCTIONS

---

DGSS675CB-D



DGSS443CB-D



## OPERATING INSTRUCTIONS

---

### BEFORE FIRST USE

Remove all hangings or plastic straps, if present.

It is important to "season" your grill, prior to cooking food. Seasoning seals the paint and interior of your grill to enhance flavoring, durability and overall performance. To season your grill, simply use it as you normally would without adding food. You will need to follow all of the lighting and operating procedures in the next few sections of this manual.

### Lighting Instructions for Grilling

#### **Start with at least 2 lbs. (.91 kgs.) of charcoal (35-40 standard briquettes).**

Make adjustments as needed when cooking in colder climates or during high winds, and/or when fair amounts of precipitation are present.

#### **Step 1**

Note: Please refer to the manufacturer's recommended amount of charcoal lighter fluid before applying fluid to the briquettes. Charcoal can be added to the grill by removing the cooking grates or pulling out the side access tray. Pile the charcoal towards the middle of the charcoal grate. Briquettes should be packed closely together for maximum burn efficiency. Saturate charcoal with the amount of charcoal lighter fluid as recommended by the charcoal lighter fluid manufacturer. After soaking the charcoal, place the charcoal lighter fluid at a safe distance away from the smoker. Allow the charcoal lighter fluid to soak into the charcoal for 3 minutes before lighting. Make sure the access tray is pushed back into the firebox before lighting.

#### **Step 2**

With grill lid open, stand back and carefully light charcoal and allow to burn until covered with a light ash (approximately 20 minutes). Charcoal lighter fluid must be allowed to completely burn off prior to closing the primary grill lid and offset lid. (Fumes will tend to collect in both fireboxes, when both lids are closed). Open both side dampers to allow airflow during the lighting process.

#### **Step 3**

After 20-25 minutes, charcoal should be ready for grilling. Use heat-resistant gloves or oven mitts when placing the cooking grates back into the grill. Refer to the next section before adding wood chips to pre-lit charcoal.

### Lighting Instructions for Cooking with Offset Smoker Box

**DO NOT USE PRETREATED, MATCH-LIGHT CHARCOAL when using as a grill or smoker.**

#### **Seasoning the Grill**

Using the recommended amount of charcoal (listed below), burn the grill for at least 30-45 minutes. Only use standard, untreated briquettes or lump charcoal and **ONLY** use charcoal lighting fluid approved for lighting charcoal. Do not use lighter fluid, paint thinners, gasoline, kerosene, alcohol or other flammable material for lighting charcoal. **Damage to the unit may occur with the use of match-light charcoal.**



## OPERATING INSTRUCTIONS

---

### Lighting Instructions (Continued)

**Start with at least 2 lbs. (.91 kgs.) of charcoal (35-40 standard briquettes).**

Make adjustments as needed when cooking in colder climates or during high winds, and/or when fair amounts of precipitation are present.

#### Step 1

Note: Please refer to the manufacturer's recommended amount of charcoal lighter fluid before applying fluid to the briquettes. Charcoal can be added to the offset firebox by removing the offset cooking grates or pulling out the side access tray. Pile the charcoal towards the middle of the offset charcoal grate. Briquettes should be packed closely together for maximum burn efficiency. Saturate charcoal with the amount of charcoal lighter fluid as recommended by the charcoal lighter fluid manufacturer. After soaking the charcoal, place the charcoal lighter fluid at a safe distance away from the smoker. Allow the charcoal lighter fluid to soak into the charcoal for 3 minutes before lighting. Make sure the access tray is pushed back into the firebox before lighting.

#### Step 2

With **primary grill lid and offset lid open**, stand back and carefully light charcoal and allow to burn until covered with a light ash (approximately 20 minutes). Charcoal lighter fluid must be allowed to completely burn off prior to closing the primary firebox door and offset lid. (Fumes will tend to collect in both fireboxes, when both lids are closed).

#### Step 3

After 20-25 minutes, charcoal should be ready for cooking and/or adding woodchips.

### ADDING WOOD CHIPS (BEFORE AND DURING COOKING)

**⚠ WARNING: Use caution since flames can flare-up when fresh air suddenly comes in contact with fire. When opening the offset lid, keep hands, face and body a safe distance from hot steam and flame flare-ups.**

#### Presoaked Wood Chips

Soak the desired amount of chips in water for 30 minutes. Wrap the wood chips in aluminum foil and poke holes on the top of the foil wrapping. **FOLLOW THE STEPS ON THE NEXT PAGE BEFORE ADDING PRESOAKED WOOD CHIPS.**

## OPERATING INSTRUCTIONS

---

### Dry Wood Chips

Dry wood chips can be placed directly onto the pre-lit charcoal with or without aluminum foil.

**FOLLOW THE STEPS BELOW BEFORE ADDING DRY WOOD CHIPS.**

The amount and type of wood used is entirely dependent on the desired amount of flavor. Refer to the chart on the next page for tips on paring wood chips with various food types.

#### Step 1

Stand back and carefully open the offset lid allowing heat and steam to escape away from your face. Use caution since flames can flare-up when fresh air suddenly comes in contact with fire. Wood can be added by either removing the cooking grates with flame retardant oven mitts/gloves OR using the side pull out tray.

#### Step 2

Wearing flame retardant oven mitts/gloves, use long metal cooking tongs to lightly brush aside ashes on hot coals. Use the long metal cooking tongs to add wood chips (and/or charcoal) directly onto the charcoal, being careful not to stir-up ashes and sparks.

**⚠ WARNING: Never add charcoal lighting fluid to hot or even warm coals as flashback may occur causing severe burns.**

Allow the ashes to completely cool before reusing or cleaning the grill or smoker.

## TIPS ON SMOKING

Smoking foods is different from grilling foods. Smoking is typically done slowly and at lower temperature than grilling. The smoke produced by the wood infuses itself into the meat giving it that great smoked flavor. Grilling is a much quicker cooking process using higher temperatures.

- Small wood chips work best inside the wood chip tray.
- Use dry hardwoods such as hickory, pecan, apple, cherry or mesquite.
- To produce more smoke and prevent fast burning, pre-soak the wood chips in a separate bowl of water for at least 30 minutes, or wrap the chips in perforated aluminum foil.
- Most smoke flavoring occurs within the first hour of cooking. **Adding wood chips after the first hour is typically not necessary unless extra smoke flavoring is desired.**

Here's a list of the most popular smoking woods and a little information about each.

Type of Wood	Suggested Food	Comments
Apple	All meats	Mild and sweet flavor with a slight hint of fruity flavor. Each species of Apple wood should offer a slightly different flavor. Apple smoke produces an attractive browning effect.
Almond	All meats	Produces a sweet smoke with a natural nutty flavor.
Ash	Fish and red meat	Very light flavor.
Citrus	Pork and chicken	Lemon and orange wood produce light but fruity flavor.
Cherry	Pork and beef	Light and fruity flavor.
Fruitwood	Pork, poultry and fish	Wood such as Peach, Pear and Plum produce a mild but sweet smoke with a hint of fruity flavor.
Grapevine	Poultry, game and lamb	Grapevine wood produces a lot of smoke. A little wood goes a long way. It produces a tart flavor that has a hint of fruit.
Hickory	Pork and beef	Hickory is arguably the favorite wood for smoking. Hickory produces a very strong flavor so we recommend starting slow with this wood.
Maple	Pork and poultry	Light and sweet.
Mesquite	Beef, chicken and fish	This wood burns very hot so be aware. Much like Hickory, Mesquite is very popular and produces a strong flavor.
Oak	Red meats, game, ribs and fish	Another wood that produces a heavy smoke. Start slow with this wood.
Pecan	Ribs and red meat	Produces a light smoke that offers a sweet and nutty flavor.

## SUGGESTED SMOKING AND MEAT TEMPERATURES

### Smoking Temperatures

Accurate smoking temperatures are critical for safely cooking food when meat probes are not available. Please understand that using the factory installed temperature gauge is an acceptable tool for smoking food; but it's not always the ideal means of measuring the most accurate smoking temperature because internal smoker temperatures can vary between the top and bottom cooking grates. Also keep in mind that the probes used on most gauges are designed to measure the temperature at the tip of the temperature probe and not the overall temperature of the smoker.

Alternatively, it is recommended that users either purchase an aftermarket, oven-ready temperature gauge, or a meat thermometer. Meat thermometers are the most effective way of determining when the food is cooked to the minimum temperature required for safe consumption.

Please refer to the chart below for cooking temps.

### SUGGESTED SMOKING TEMPERATURES

	Suggested Smoking Temperatures	Safe Minimum Food Temperatures
<b>Meat, Poultry, Fish</b>		
<b>Beef, veal and lamb (pieces and whole cuts)</b>		
Medium-rare	225°F (107.2°C)	145°F (63°C)
Medium	225°F (107.2°C)	160°F (71°C)
Well done	225°F (107.2°C)	170°F (77°C)
<b>Pork (ham, pork loin, ribs)</b>		
Pork (pieces and whole cuts)	225 - 240°F (107.2 - 115.6°C)	160°F (71°C)
<b>Ground meat and meat mixtures (burgers, sausages, meatballs, meatloaf, casseroles and mechanically tenderized beef)</b>		
Beef, veal (including mechanically tenderized), lamb and pork	250 - 300°F (121 - 149°C)	160°F (71°C)
Poultry (chicken & turkey)	250 - 300°F	165°F (74°C)
<b>Poultry (chicken, turkey, duck)</b>		
Pieces	250°F (121°C)	165°F (74°C)
Whole	240°F (115.6°C)	185°F (85°C)
<b>Seafood</b>		
Fish	225 - 240°F (107.2 - 115.6°C)	158°F (70°C)
Shellfish (shrimp, lobster, crab, scallops, clams, mussels and oysters)	225 - 240°F (107.2 - 115.6°C)	165°F (74°C)
Since it is difficult to use a food thermometer to check the temperature of shellfish, discard any that do not open when cooked.		

	Suggested Smoking Temperatures	Safe Minimum Food Temperatures
<b>Game</b>		
<b>Chops, steaks and roasts (deer, elk, moose, caribou/reindeer, antelope and pronghorn)</b>		
Well done	225°F (107.2°C)	170°F (77°C)
<b>Large Game</b>		
Bear, bison, musk ox walrus, etc.	250 - 300°F (121 - 149°C)	165°F (74°C)
<b>Small game</b>		
Rabbit, muskrat, beaver, etc.	225 - 240°F (107.2 - 115.6°C)	165°F (74°C)
<b>Ground Meat</b>		
Ground meat and meat mixtures	250 - 300°F (121 - 149°C)	165°F (74°C)
Ground venison and sausage	250 - 300°F (121 - 149°C)	165°F (74°C)
<b>Game birds/waterfowl (wild turkey, duck, goose, partridge and pheasant)</b>		
Whole	250°F (121°C)	180°F (82°C)
Breasts and roasts	250°F (121°C)	165°F (74°C)
Thighs, wings	250°F (121°C)	165°F (74°C)
Stuffing (cooked alone or in a bird)	250°F (121°C)	165°F (74°C)

## CARE AND MAINTENANCE

---

### AFTER USE SAFETY AND MAINTENANCE

#### **WARNING**

- Use caution when lifting and moving the unit to avoid strain injuries.
- **DO NOT** store the unit near gasoline or other combustible liquids or where combustible vapors may be present. Keep the area around the appliance clear and free of combustible materials and vapors.
- **DO NOT** store this appliance in an area accessible to children or pets. Store the appliance in a dry, protected location.
- **DO NOT** allow anyone to conduct activities around the appliance following use until it has cooled. It is hot during operation and remains hot for a period of time following use.
- **DO NOT** leave hot ashes unattended until the appliance cools completely.
- The grill and offset smoker box becomes extremely hot – allow the appliance to cool completely before handling. Allow the grill and offset smoker box to cool before removing and cleaning the grease cup.
- Dispose of **cold** ashes by wrapping them in heavy-duty aluminum foil and putting them in a noncombustible container.
- If you must dispose of the ashes in less time than it takes for them to completely cool, remove the ashes using heat-resistant gloves, along with Dyna Glo ash scoop (if equipped), metal tongs, or fire place shovel. Place the ashes in aluminum foil. Completely soak the ashes with water before disposing of them in a noncombustible container.

 **CAUTION: All care and maintenance procedures are to be performed while the unit is completely cooled. Always perform maintenance by a qualified service person.**

Clean the cooking grates with hot, soapy water. Rinse and dry thoroughly. You may prefer to coat the cooking grates lightly with cooking oil or cooking spray.

To clean the inside and outside of the unit, simply use a damp cloth. Spray-washing with a water hose is not recommended. Moisture should be wiped away and not allowed to stand inside or on top of the unit. Once cleaned, you may prefer to lightly coat the interior of the firebox with cooking oil or cooking spray.

If rust is present on the exterior surface of the unit, clean the area with steel wool or emery cloth and use heavy-duty, heat-resistant paint.

NEVER apply additional paint to the interior of the unit. If rust is present on the interior of the unit, clean it thoroughly with steel wool or emery cloth and lightly coat the area with cooking oil or cooking spray to help minimize recurring rust.

To protect your unit from weather conditions, always keep it covered while not in use.

## WARRANTY

---

This unit is warranted against broken or damaged parts at the time of purchase. All parts carry a one (1) year limited warranty. Paint is warranted to be free of defects for 90 days except for rust, which may appear after repeated use.

This warranty does not cover damage or issues related to neglect, abuse or modifications to the appliance. Repair labor is not covered.

All parts that meet the warranty requirements will be shipped at no charge via the discretion of GHP Group Inc. (ground shipments, US Mail or Parcel Post ONLY). Any special handling charges (i.e. Second Day, Overnight, etc.) will be the responsibility of the consumer.

All warranty claims apply only to the original purchaser and require a proof of purchase verifying purchase date. Do not return parts to GHP address without first obtaining a return authorization number from our customer service. This service is available by calling toll free 1-877-447-4768, 8:30 a.m. - 4:30 p.m. CST, Monday - Friday.

Some states do not allow the exclusion or limitation of incidental or consequential damages or limitations on how long an implied warranty lasts, so the above limitations or exclusions may not apply to you. This warranty gives you specific legal rights, and you may have other rights that vary from state to state.

GHP Group Inc.  
6440 W. Howard Street  
Niles, IL, USA  
60714-3302

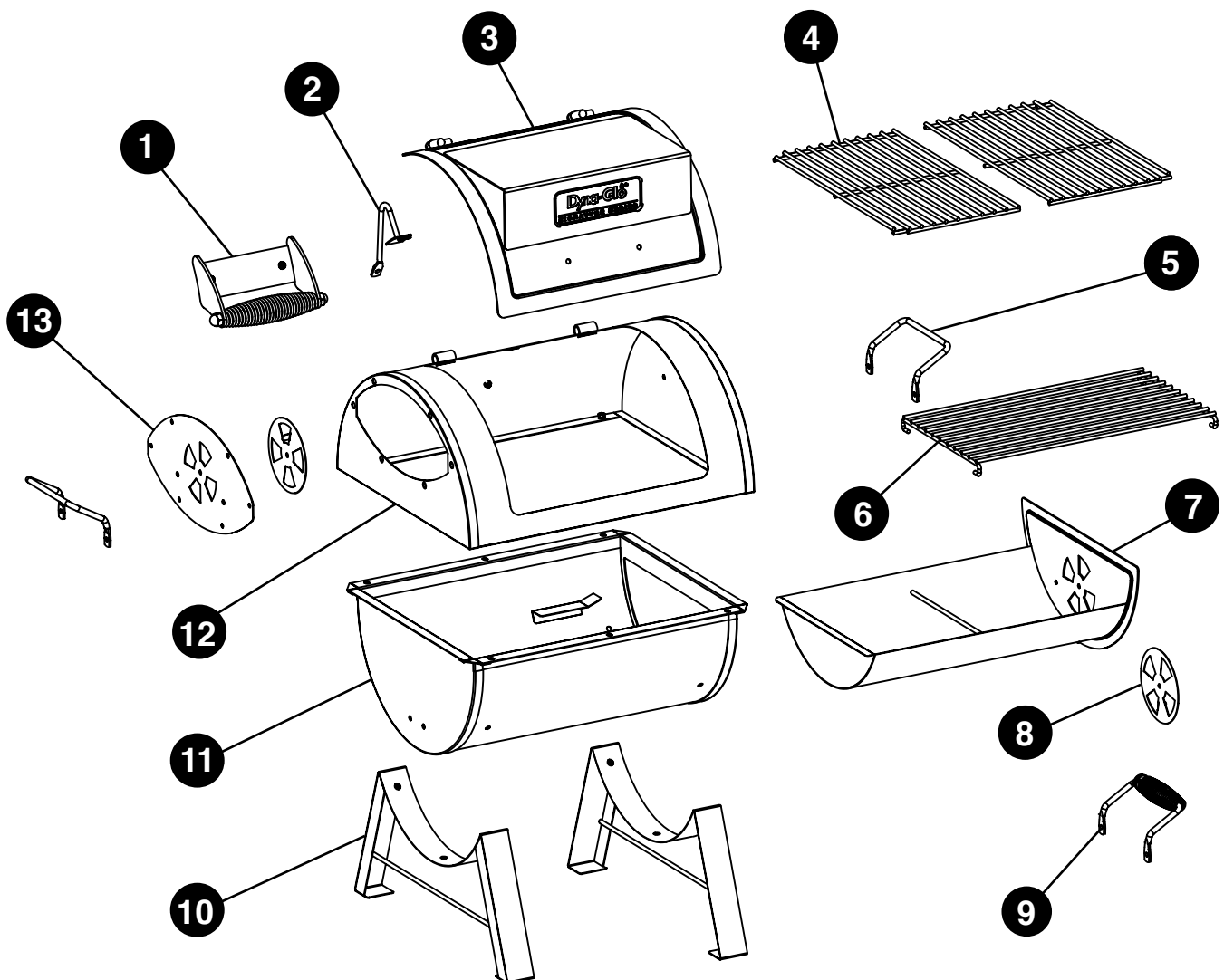
Item name: Heavy-Duty Charcoal Grill and Offset Smoker Box  
Model #: DGSS287CB / DGSS287CB-D

## REPLACEMENT PARTS LIST

For replacement parts, call our customer service department at 1-877-447-4768, 8:30 a.m. - 4:30 p.m. CST, Monday - Friday or log on to [customerservice@ghpgroupinc.com](mailto:customerservice@ghpgroupinc.com).

PART	DESCRIPTION	PART #
1	Lid Handle	70-01-584
2	Lid Bracket	70-01-528
3	Lid (Without Handle)	70-01-529
4	Cooking Grate (1pc)	70-01-535
5	Side Handle - Left/Right	70-01-563
6	Charcoal Grate	70-01-536
7	Access Tray	70-01-533
8	Damper Plate - Tray & Firebox (1pc)	70-01-593

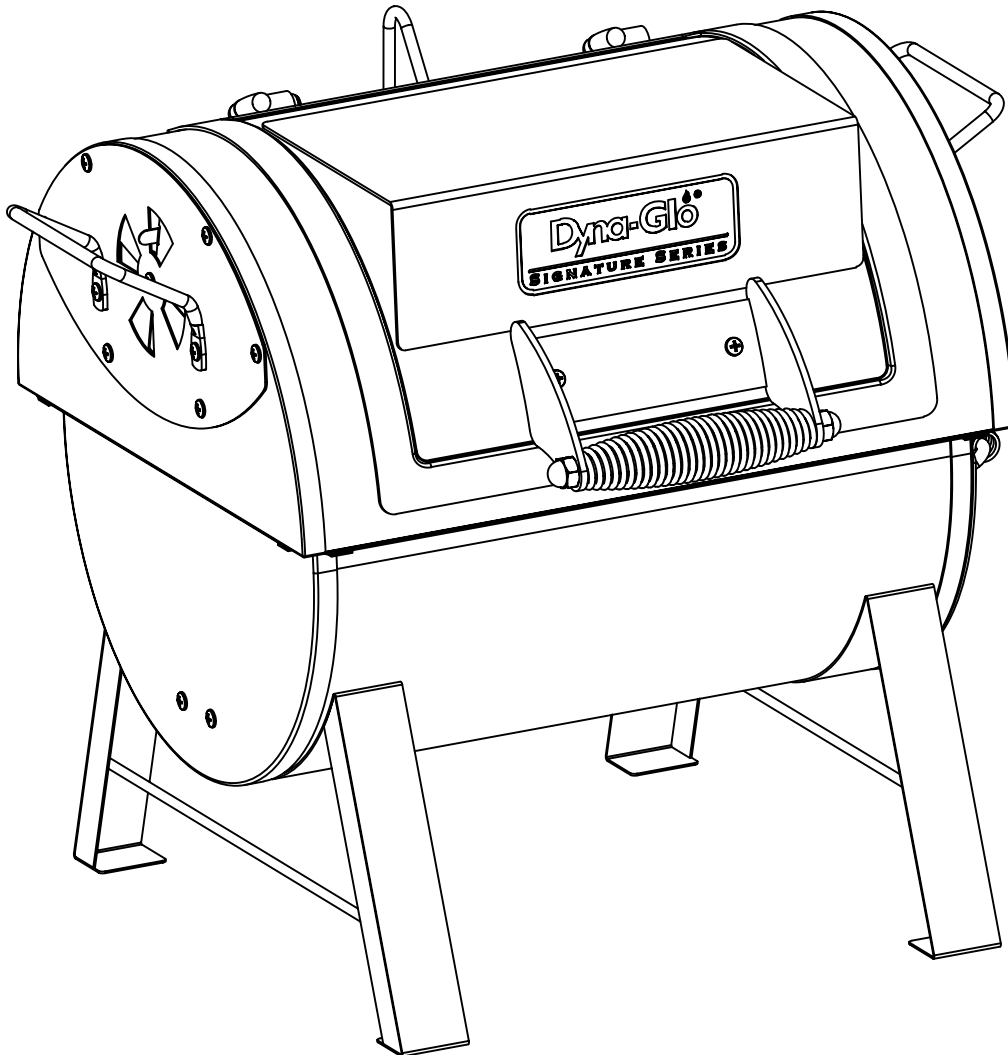
PART	DESCRIPTION	PART #
9	Access Tray Handle	70-01-534
10	Leg Assembly - Left/Right	70-01-564
11	Firebox Bottom Section	70-01-532
12	Firebox Top Section (without lid)	70-01-557
13	Firebox Adapter Plate	70-01-565
n/a	Hardware pack	70-09-516
n/a	Instruction manual	70-10-587





# Barbecue au charbon haute-capacité et fumoir décalé

MODÈLE N° DGSS287CB-D/  
DGSS287CB



AGRAFEZ VOTRE FACTURE ICI

Numéro de série \_\_\_\_\_ Date d'achat \_\_\_\_\_



**Des questions, des problèmes, des pièces manquantes?** Avant de retourner chez votre détaillant, appelez notre service à la clientèle au 1 877 447-4768, entre 8 h 30 et 16 h 30 (HNC), du lundi au vendredi ou écrivez à [customerservice@ghpgroupinc.com](mailto:customerservice@ghpgroupinc.com).

70-10-587

Rév. 12/19/16



## TABLE DES MATIÈRES


---

Informations relatives à la sécurité .....	25
Contenu de l'emballage .....	27
Quincaillerie fournie .....	28
Préparation .....	28
Instructions d'assemblage .....	29
Instructions de fonctionnement .....	39
Conseils sur le fumage .....	42
Entretien et maintenance .....	44
Garantie .....	45
Liste des pièces de rechange .....	46

### **INFORMATIONS RELATIVES À LA SÉCURITÉ**

---

Veuillez lire et comprendre le présent guide avant de tenter d'assembler, d'utiliser ou d'installer le produit. Si vous avez des questions concernant le produit, appelez notre service à la clientèle au 1 877 447-4768, entre 8 h 30 et 16 h 30 (HNC), du lundi au vendredi, ou écrivez à [customerservice@ghpgroupinc.com](mailto:customerservice@ghpgroupinc.com).

-  Faites preuve de prudence lorsque vous soulevez et déplacez l'appareil afin d'éviter les douleurs et les blessures au dos. Ne déplacez jamais l'appareil lorsqu'il est en fonction.
- N'utilisez **PAS** l'appareil près de matériaux inflammables ou combustibles, comme une terrasse, un porche ou un abri à voitures, ou sous de tels matériaux.
  - Le dégagement minimum entre l'appareil et les constructions combustibles, sur les côtés et à l'arrière, est de 91,4 cm (36 po).
  - N'utilisez **PAS** l'appareil sous des constructions.
  - N'utilisez **PAS** l'appareil comme réchaud.
  - Utilisez l'appareil sur une surface stable, plane nivelée et non combustible comme de l'asphalte, du béton ou tout autre sol solide.
  - N'utilisez **PAS** l'appareil sur des matériaux inflammables comme un tapis ou une terrasse en bois.
  - Faites preuve de prudence lorsque vous assemblez et utilisez l'appareil pour éviter de vous couper ou de vous écorcher sur les rebords de l'appareil ou de ses pièces.

## **INFORMATIONS RELATIVES À LA SÉCURITÉ**

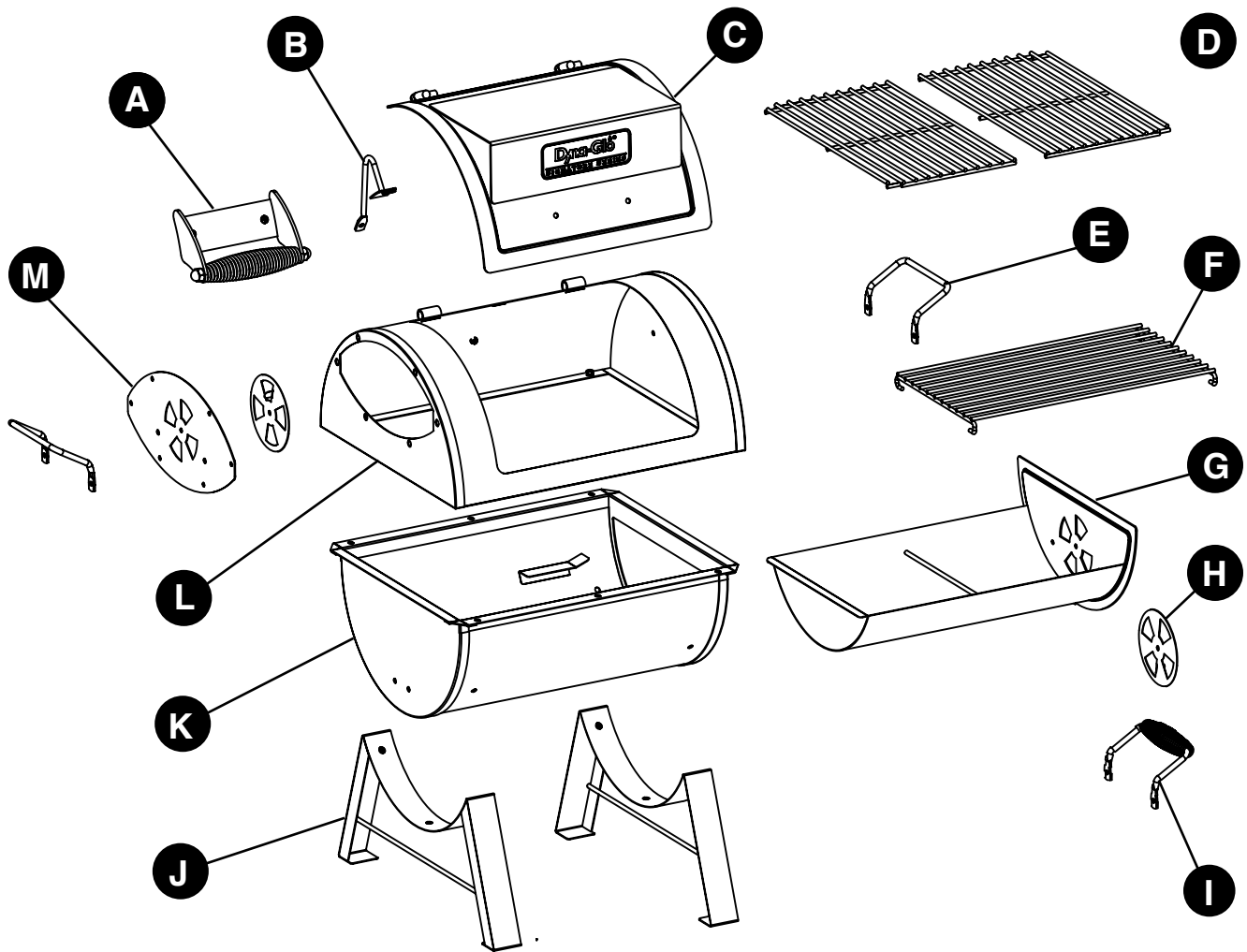
---

- N'utilisez **PAS** l'appareil de quelque manière autre que la fonction pour laquelle il a été prévu. Il n'est PAS destiné à un usage commercial. Il n'est PAS conçu pour une installation ou un usage à bord d'un véhicule récréatif ou d'un bateau.
- N'entreposez **PAS** l'appareil près d'essence ou d'autres liquides combustibles, ni dans des endroits où des vapeurs combustibles peuvent être présentes.
- N'entreposez et n'utilisez **PAS** l'appareil dans un endroit accessible aux enfants ou aux animaux domestiques. Rangez-le dans un endroit sec et protégé.
- Ne laissez **PAS** l'appareil sans surveillance pendant qu'il est en fonction.
- Ne laissez **PAS** de cendres chaudes sans surveillance tant que le barbecue n'a pas complètement refroidi.
- Ne déplacez **PAS** l'appareil lorsqu'il est en fonction ou que les cendres sont encore chaudes. Laissez-le refroidir complètement avant de le déplacer ou de le ranger.
- N'utilisez **JAMAIS** d'essence, de kérosène, d'essence à briquet Zippo/Ronson ou d'autres fluides très volatils comme allume-feu.
- Faites toujours cuire les aliments sur la grille une fois que les flammes se sont éteintes d'elles-mêmes.
- Jetez les cendres froides en les enveloppant dans du papier d'aluminium très résistant et en les plaçant dans un contenant incombustible. Assurez-vous qu'il n'y a aucune matière combustible dans le contenant ou près de celui-ci.
- Si vous devez jeter les cendres avant qu'elles n'aient complètement refroidi, retirez-les de l'appareil à l'aide de gants résistants à la chaleur et de longues pinces en métal ou d'une pelle à cendres. Placez les braises dans du papier d'aluminium et trempez-les complètement dans l'eau avant de les jeter dans un contenant incombustible.
- Laissez l'appareil refroidir complètement avant de procéder au nettoyage et à l'entretien habituels de l'appareil.
- L'appareil sera brûlant pendant et après l'utilisation. Utilisez des mitaines de four ou des gants isolants pour vous protéger des surfaces brûlantes et des éclaboussures de liquides de cuisson chauds.
- Faites preuve de prudence lorsque vous ouvrez le couvercle de l'appareil pendant qu'il est en fonction. Gardez vos mains, votre visage et votre corps loin de la vapeur chaude et des flammes. N'inhalez **PAS** de fumée.
- Ne portez **PAS** de vêtements amples lorsque vous utilisez le barbecue. Attachez vos cheveux, s'ils sont longs, lorsque vous utilisez le barbecue.
- Portez **TOUJOURS** des chaussures qui couvrent entièrement vos pieds lorsque vous utilisez le barbecue.
- N'utilisez **JAMAIS** d'accessoires de cuisson en verre, en plastique ou en céramique sur le barbecue ou à l'intérieur de celui-ci. Utilisez des accessoires en métal uniquement.
- L'utilisation d'accessoires non conçus pour une utilisation avec ce barbecue n'est pas recommandée et peut entraîner des blessures ou des bris matériels.

### **PROPOSITION 65 DE L'ÉTAT DE LA CALIFORNIE**

Les combustibles utilisés dans les appareils fonctionnant au bois ou au charbon et les produits de la combustion de ces combustibles contiennent des substances chimiques reconnues dans l'État de la Californie comme causant le cancer, des anomalies congénitales ou d'autres problèmes de reproduction. Ce produit contient des substances chimiques, dont le plomb et des composés de plomb, reconnus par l'État de la Californie comme causant le cancer, des malformations congénitales ou d'autres problèmes de reproduction. ***Lavez-vous les mains après avoir manipulé l'appareil.***

## CONTENU DE L'EMBALLAGE



PIÈCE	DESCRIPTION	QUANTITÉ
A	Poignée du couvercle	1
B	Support du couvercle	1
C	Couvercle	1
D	Grille de cuisson	2
E	Poignée latérale – gauche/droite	2
F	Grille à charbon	1
G	Tiroir d'accès	1
H	Registre – tiroir et chambre de combustion	2
I	Poignée du tiroir d'accès	1
J	Pied – gauche/droit	2
K	Partie inférieure de la chambre de combustion	1
L	Partie supérieure de la chambre de combustion	1
M	Plaque d'adaptation à la chambre de combustion	1

## QUINCAILLERIE FOURNIE

---

AA

BB

CC



Boulon  
M6 x 12 mm

Écrou  
M6

Écrou  
de blocage  
M6

Qté 29

Qté 9

Qté 2

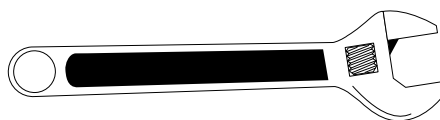
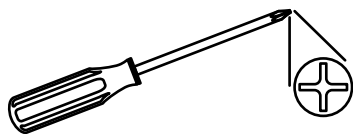
## PRÉPARATION

---

Avant de commencer l'assemblage du produit, assurez-vous que toutes les pièces sont présentes. Comparez les pièces à la liste de contenu de l'emballage et de quincaillerie fournie précédemment. Si des pièces sont manquantes ou endommagées, ne tentez pas d'assembler le produit. Communiquez avec le service à la clientèle pour obtenir des pièces de rechange.

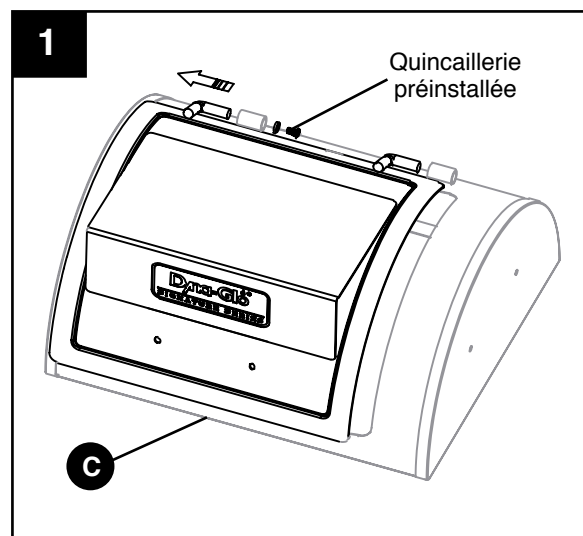
**Temps d'assemblage estimé : 30 minutes**

Outils nécessaires pour l'assemblage (non compris) : tournevis cruciforme, clé à molette ajustable




## INSTRUCTIONS D'ASSEMBLAGE

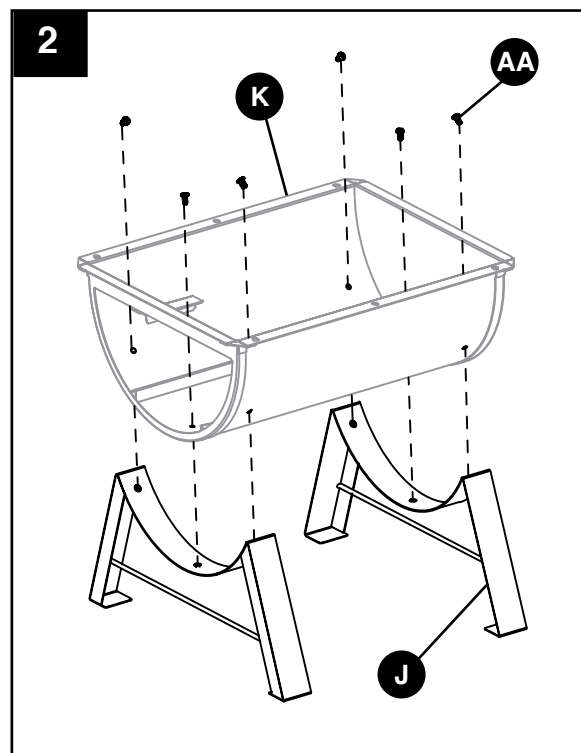
1. Retirez le boulon et la rondelle préinstallés sur la charnière gauche du couvercle et glissez le couvercle (C) hors des charnières.



2. Fixez les pieds gauche et droit (J) à la partie inférieure de la chambre de combustion (K) à l'aide de trois (3) boulons M6 x 12 mm par pied.

### Matériel utilisé


**AA** Boulon M6 x 12 mm  x 6

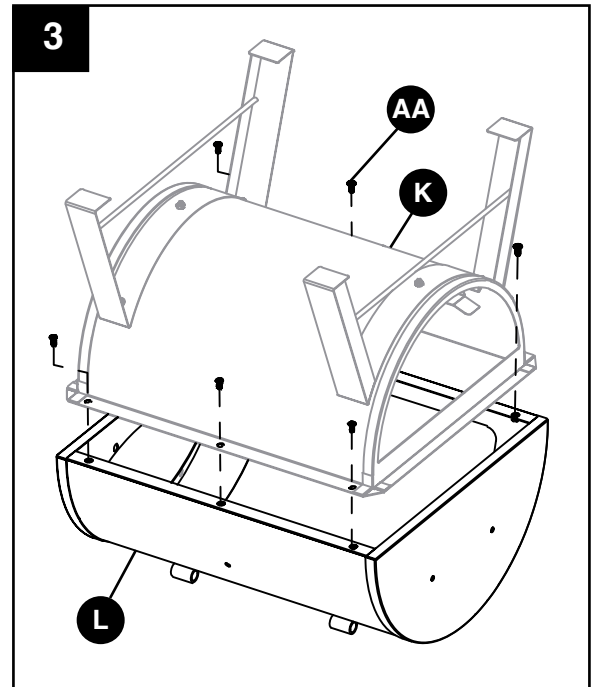


## INSTRUCTIONS D'ASSEMBLAGE

3. Fixez la partie inférieure de la chambre de combustion (K) à la partie supérieure (L) à l'aide de six (6) boulons M6 x 12 mm (AA).



### Matériel utilisé

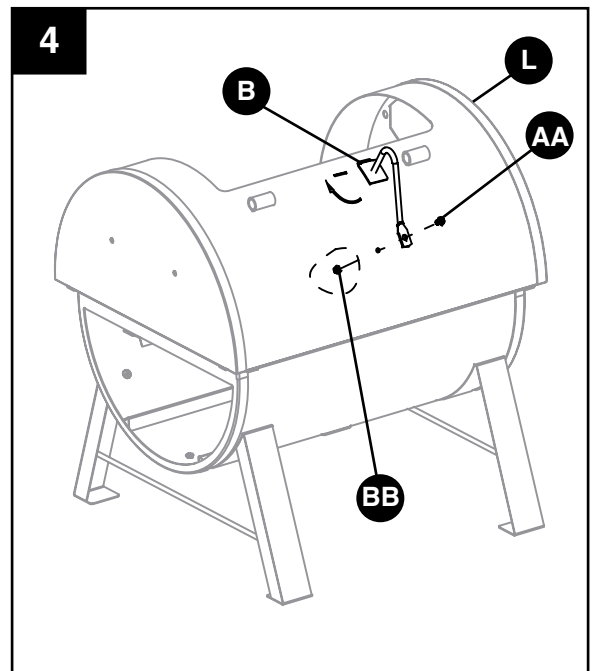
- AA** Boulon M6 x 12 mm  x 6



4. Insérez le côté du support du couvercle (B) dans l'ouverture prévue à cet effet sur la partie supérieure de la chambre de combustion (L). Fixez le support à l'aide d'un (1) boulon M6 x 12 mm (AA) et d'un (1) écrou M6 (BB).

### Matériel utilisé


- AA** Boulon M6 x 12 mm  x 1
- BB** Écrou M6  x 1

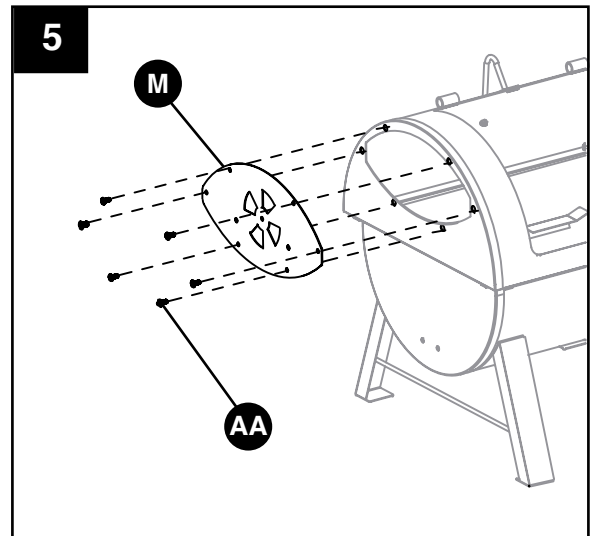


## INSTRUCTIONS D'ASSEMBLAGE

5. Fixez la plaque d'adaptation à la chambre de combustion (M) à l'aide de six (6) boulons M6 x 12 mm (AA).



### Matériel utilisé

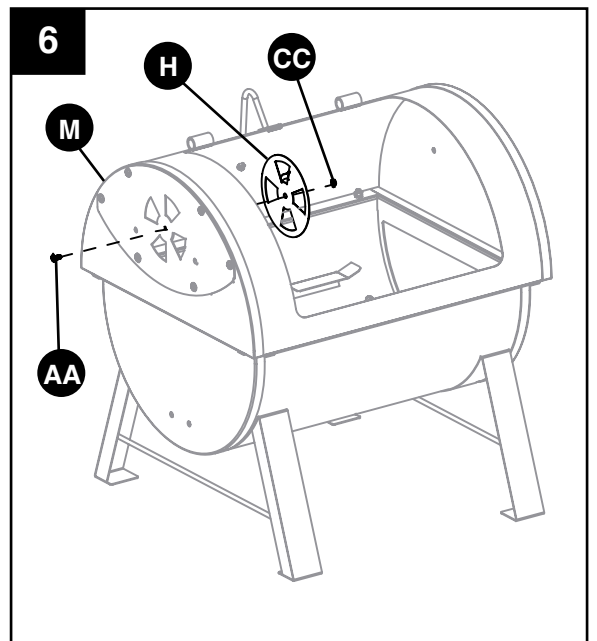
<b>AA</b>	Boulon M6 x 12 mm		x 6
-----------	----------------------	---	-----



6. Fixez le registre latéral (H) à l'intérieur de la plaque d'adaptation (M) à l'aide d'un (1) boulon M6 x 12 mm (AA) et d'un (1) écrou de blocage M6 (CC).

### Matériel utilisé

<b>AA</b>	Boulon M6 x 12 mm		x 1
<b>CC</b>	Écrou de blocage M6		x 1

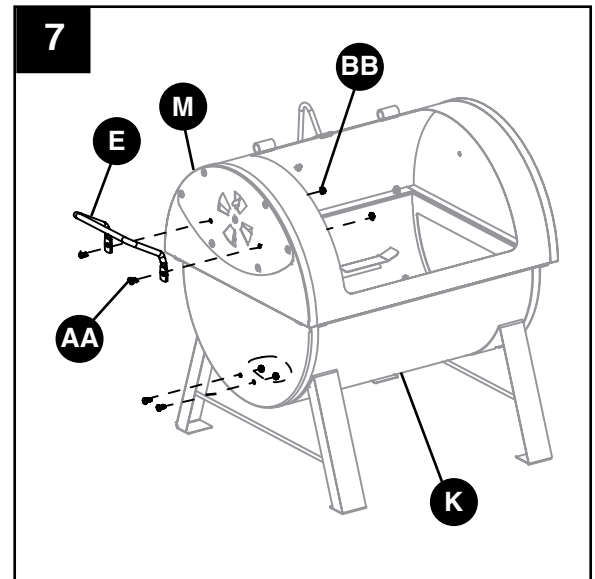


## INSTRUCTIONS D'ASSEMBLAGE



7. Fixez la poignée latérale (E) à la plaque d'adaptation (M) à l'aide de deux (2) boulons M6 x 12 mm (AA) et de deux (2) écrous M6 (BB).

Vissez deux (2) boulons M6 x 12 mm et deux (2) écrous M6 (BB) dans les deux trous de la partie inférieure de la chambre de combustion (K) afin de les boucher.

Remarque : Le barbecue peut également servir de fumeur décalé. Les trous dans la partie inférieure sont préalablement percés pour l'installation d'un support de raccordement (non compris). Pour davantage d'informations sur l'utilisation du barbecue comme fumeur décalé, consultez la page 13.





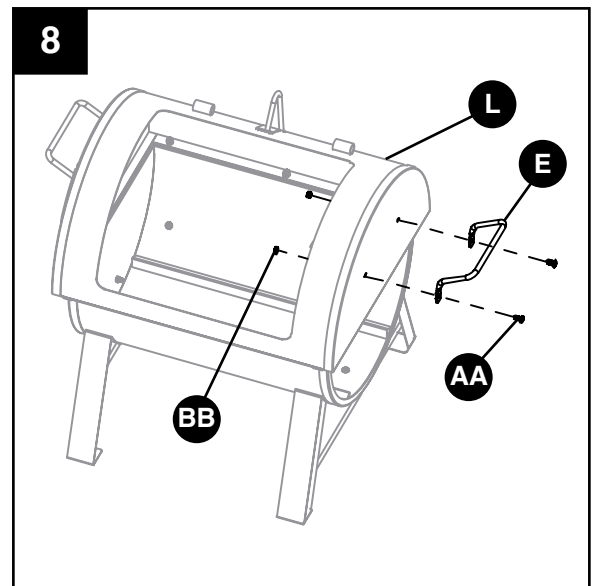
### Matériel utilisé

<b>AA</b>	Boulon M6 x 12 mm		x 4
<b>BB</b>	Écrou M6		x 4

8. Fixez l'autre poignée latérale (E) à la partie supérieure de la chambre de combustion (L) à l'aide de deux (2) boulons M6 x 12 mm (AA) et de deux (2) écrous M6 (BB).

### Matériel utilisé

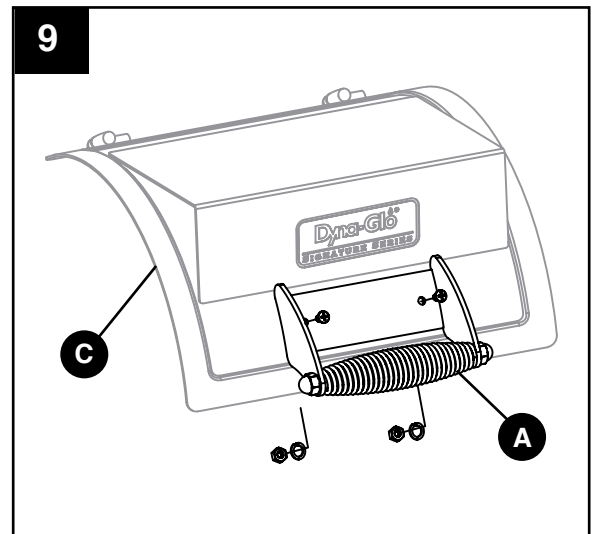
<b>AA</b>	Boulon M6 x 12 mm		x 2
<b>BB</b>	Écrou M6		x 2



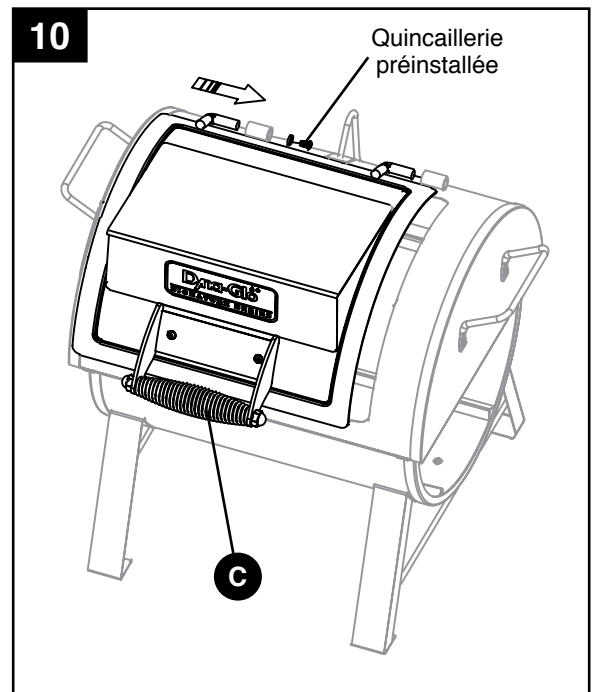


## INSTRUCTIONS D'ASSEMBLAGE

9. Fixez la poignée du couvercle (A) au couvercle (C) à l'aide des boulons, des rondelles et des écrous préinstallés.





10. Remplacez le couvercle (C) et fixez-le à l'aide de la rondelle et du boulon préinstallés.

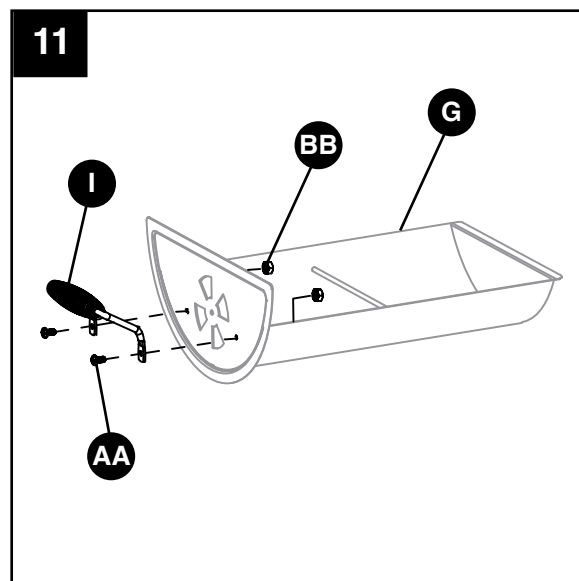


## INSTRUCTIONS D'ASSEMBLAGE

11. Fixez la poignée du tiroir d'accès (I) au tiroir d'accès (G) à l'aide deux (2) boulons M6 x 12 mm (AA) et de deux (2) écrous M6 (BB).


### Matériel utilisé

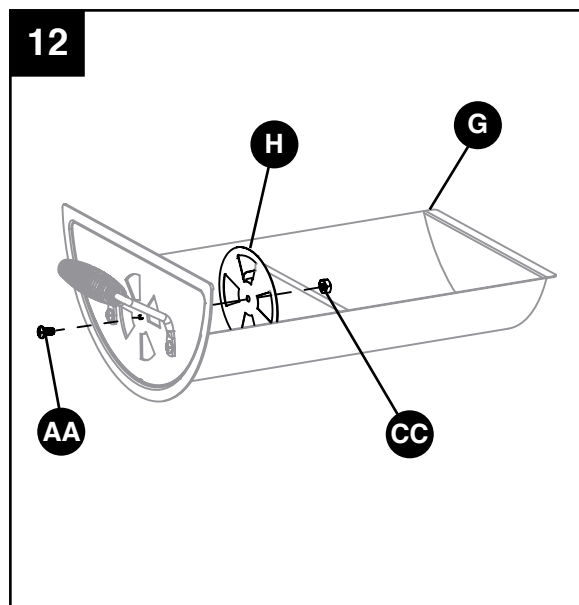
<b>AA</b>	Boulon M6 x 12 mm		x 2
<b>BB</b>	Écrou M6		x 2



12. Fixez le registre latéral (H) à l'intérieur du tiroir d'accès (G) à l'aide d'un (1) boulon M6 x 12 mm (AA) et d'un d'un (1) écrou de blocage M6 (CC).

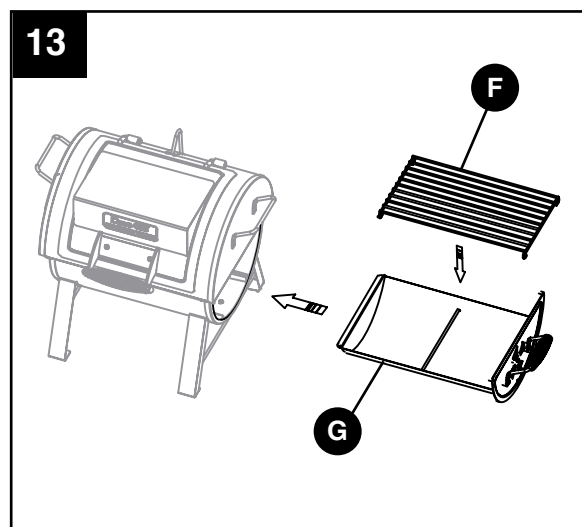
### Matériel utilisé

<b>AA</b>	Boulon M6 x 12 mm		x 1
<b>CC</b>	Écrou de blocage M6		x 1

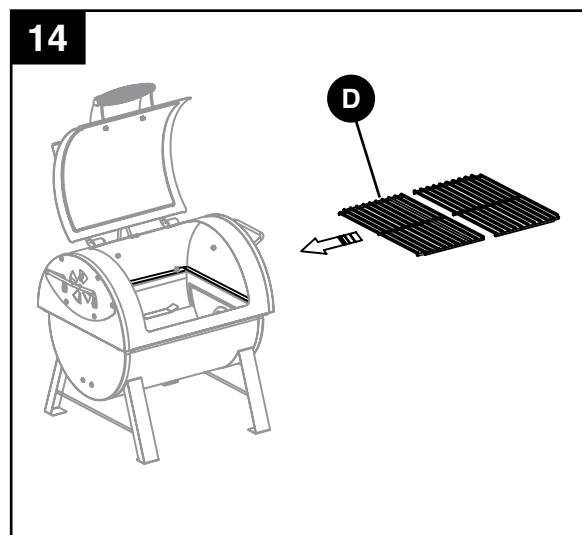


## INSTRUCTIONS D'ASSEMBLAGE

13. Placez la grille à charbon (F) à l'intérieur du tiroir d'accès (G) et glissez le tiroir à l'intérieur du fumoir décalé.



14. Positionnez les grilles de cuisson (D) sur le rail supérieur de la chambre de combustion.



## INSTRUCTIONS D'ASSEMBLAGE

### Utilisation de la chambre de combustion comme fumoir décalé (facultatif).

Le barbecue peut également servir de fumoir décalé sur les modèles de barbecue Dyna-Glo DGSS675CB-D et DGSS443CB-D.

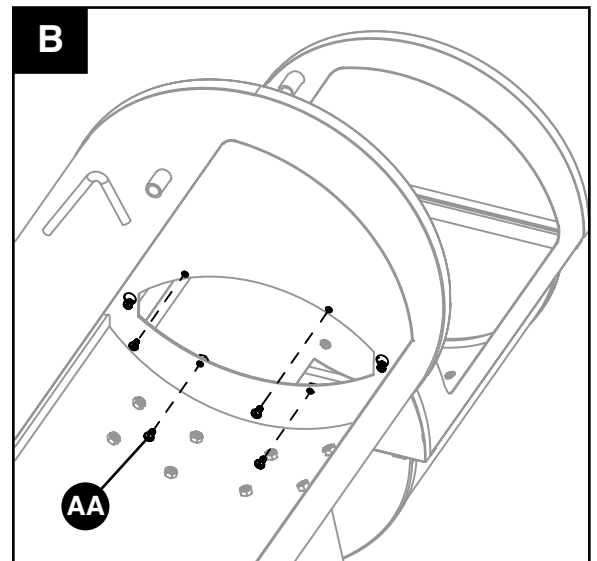
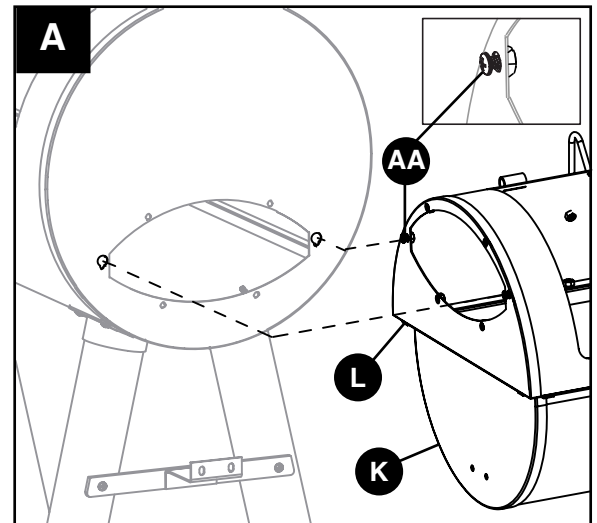
#### Étape facultative A.

**REMARQUE :** Les pieds (J) peuvent demeurer attachés au fumoir décalé ou être retirés avant l'installation. Lorsque vous retirez les pieds, assurez-vous de réinsérer les boulons M6 x 12 mm dans les trous de la partie inférieure du bâti du barbecue/fumoir (K).

Pour installer le fumoir décalé, retirez la porte d'accès sur le côté du barbecue principal et la plaque d'adaptation (pièce M, non illustrée) de la partie supérieure du fumoir décalé (L). Réutilisez la quincaillerie employée pour fixer la plaque d'adaptation et insérez deux (2) boulons M6 x 12 mm en les laissant dépasser d'au moins 6 mm (1/4 po) des cotés gauche et droit de l'ouverture dans la partie supérieure du fumoir (L). Insérez les têtes de boulons dans les encoches en trou de serrure sur le côté du barbecue principal. Ne serrez pas.

#### Étape facultative B.

Installez les quatre (4) boulons M6 x 12 mm restants à l'intérieur du bâti du barbecue principal et serrez tous les boulons, y compris les boulons insérés dans les encoches en trou de serrure de chaque côté de l'ouverture.



## INSTRUCTIONS D'ASSEMBLAGE

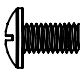

---

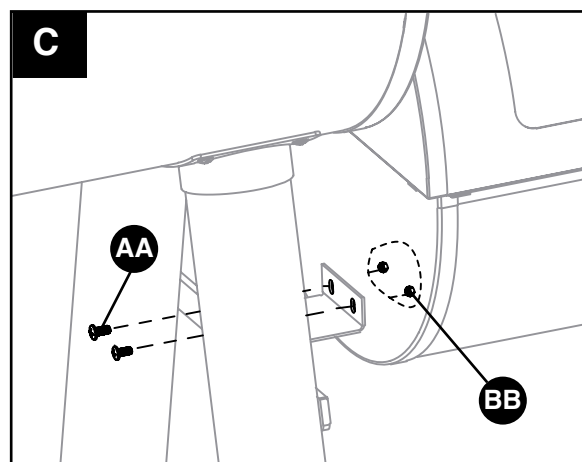
### Étape facultative C.

Fixez le fumoir décalé sur le support de raccordement (non compris) à l'aide des deux (2) boulons M6 x 12 mm (AA) et des deux (2) écrous M6 (BB) fournis dans la trousse de matériel de départ.

#### Matériel utilisé

---

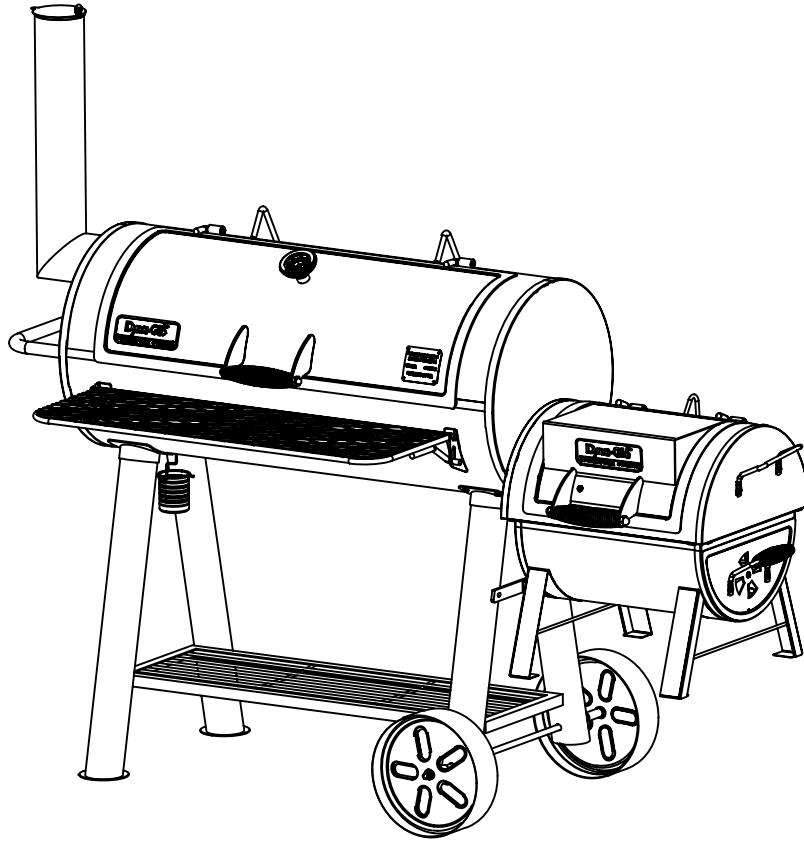
<b>AA</b>	Boulon M6 x 12 mm		x 2
<b>BB</b>	Écrou M6		x 2



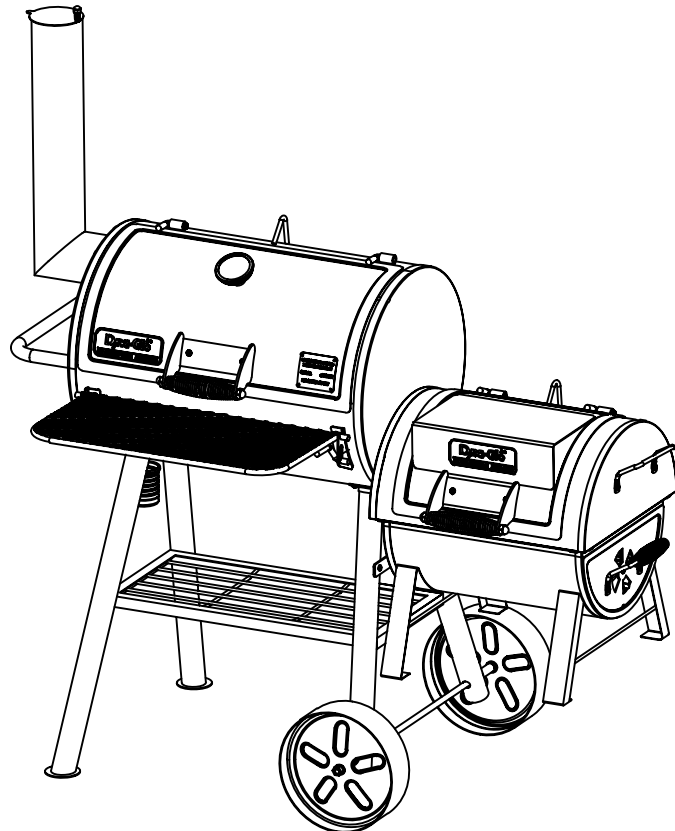
# INSTRUCTIONS D'ASSEMBLAGE

---

DGSS675CB-D



DGSS443CB-D



## INSTRUCTIONS DE FONCTIONNEMENT

---

### AVANT LA PREMIÈRE UTILISATION

Retirez tous les emballages et toutes les attaches de plastique, le cas échéant.

Avant la cuisson des aliments, il est important de culotter le barbecue. Le culottage permet de sceller la peinture et l'intérieur du barbecue pour améliorer le goût des aliments, en plus d'augmenter la durabilité et la performance globale. Pour culotter le barbecue, utilisez-le comme vous le feriez normalement, mais en ne faisant cuire aucun aliment. Vous devrez suivre toutes les procédures d'allumage et d'utilisation des prochaines sections de ce guide.

### Instructions d'allumage pour cuisson

**Commencez avec 0,91 kg (2 lb) de charbon (35-40 briquettes standards).**

Ajustez la quantité au besoin lorsque vous cuisinez par temps froid, venteux ou pluvieux.

#### Étape 1

Remarque : Veuillez vous reporter aux recommandations du fabricant pour connaître la quantité d'allume-feu liquide pour charbon de bois avant d'en mettre sur les briquettes. Il est possible d'ajouter du charbon au barbecue en retirant les grilles de cuisson de ce dernier, ou en retirant le tiroir d'accès latéral. Empilez le charbon au milieu de la grille à charbon. Les briquettes doivent être rapprochées les unes des autres afin d'assurer une combustion optimale. Dispersez de l'allume-feu liquide sur les charbons en respectant la quantité recommandée par le fabricant. Après avoir laissé le charbon s'imbiber, placez l'allume-feu liquide à une distance sécuritaire du fumoir. Laissez l'allume-feu liquide s'imbiber dans le charbon pendant trois (3) minutes avant l'allumage. Assurez-vous que le tiroir d'accès est bien repoussé à l'intérieur de la chambre de combustion avant l'allumage.

#### Étape 2

En laissant le couvercle du barbecue ouvert, tenez-vous à l'écart, allumez le charbon avec prudence et laissez-le brûler jusqu'à ce qu'il soit recouvert d'une mince couche de cendre (environ 20 minutes). Il faut laisser le temps à l'allume-feu liquide de se consumer complètement avant de fermer le couvercle du barbecue principal et celui du fumoir décalé. (Les vapeurs auront tendance à s'accumuler dans les deux chambres de combustion lorsque les deux couvercles sont fermés.) Ouvrez les registres de chaque côté du barbecue pour permettre une circulation d'air durant l'allumage.

#### Étape 3

Après 20 à 25 minutes, les charbons devraient être prêts pour la cuisson. Utilisez des gants résistants à la chaleur ou des mitaines de four lorsque vous replacez les grilles de cuisson dans le barbecue. Reportez-vous à la prochaine section avant d'ajouter des copeaux sur les charbons allumés.

### Instructions d'allumage pour cuisson dans le fumoir décalé

**N'UTILISEZ PAS DE CHARBON DE BOIS TRAITÉ AVEC UN ACCÉLÉRATEUR lorsque vous vous servez de cet appareil comme barbecue ou comme fumoir.**

#### Culottage du barbecue

En utilisant la quantité recommandée de charbon (indiquée ci-dessous), faites chauffer le barbecue pendant au moins 30 à 45 minutes. Utilisez uniquement des briquettes ou du charbon de bois en blocs standards non traités et ajoutez uniquement de l'allume-feu liquide pour charbon de bois. N'utilisez pas d'essence à briquet, de diluants, d'essence, de kérosène ou d'autres matières inflammables pour allumer le charbon. **L'utilisation de charbon prétraité avec un accélérateur peut endommager l'appareil.**

## INSTRUCTIONS DE FONCTIONNEMENT

---

### Instructions d'allumage (suite)

**Commencez avec 0,91 kg (2 lb) de charbon (35-40 briquettes standards).**

Ajustez la quantité au besoin lorsque vous cuisinez par temps froid, venteux ou pluvieux.

#### Étape 1

Remarque : Veuillez vous reporter aux recommandations du fabricant pour connaître la quantité d'allume-feu liquide pour charbon de bois avant d'en mettre sur les briquettes. Il est possible d'ajouter du charbon au fumoir décalé en retirant les grilles de cuisson de ce dernier, ou en retirant le tiroir d'accès latéral. Empilez le charbon au milieu de la grille à charbon du fumoir décalé. Les briquettes doivent être rapprochées les unes des autres afin d'assurer une combustion optimale. Dispersez de l'allume-feu liquide sur le charbon en respectant la quantité recommandée par le fabricant. Après avoir laissé le charbon s'imbiber, placez l'allume-feu liquide à une distance sécuritaire du fumoir. Laissez l'allume-feu liquide s'imbiber dans le charbon pendant trois (3) minutes avant l'allumage. Assurez-vous que le tiroir d'accès est bien repoussé à l'intérieur de la chambre de combustion avant l'allumage.


#### Étape 2

Alors que le  **couvercle du barbecue principal et celui du fumoir décalé sont ouverts**, tenez-vous à l'écart, allumez le charbon avec prudence et laissez-le brûler jusqu'à ce qu'il soit recouvert d'une mince couche de cendre (environ 20 minutes). Il faut laisser le temps à l'allume-feu liquide de se consumer complètement avant de fermer le couvercle de la chambre de combustion principale et le couvercle du fumoir décalé. (Les vapeurs auront tendance à s'accumuler dans les deux chambres de combustion lorsque les couvercles sont fermés.)

#### Étape 3

Après 20 à 25 minutes, les charbons devraient être prêts pour la cuisson ou pour l'ajout de copeaux de bois.

### AJOUT DE COPEAUX DE BOIS (AVANT ET PENDANT LA CUISSON)

 **AVERTISSEMENT** : Faites preuve de prudence, car des flammes peuvent jaillir lorsque de l'air frais entre soudainement en contact avec le feu. Lorsque vous ouvrez le couvercle du fumoir décalé, gardez vos mains, votre visage et votre corps à une distance sécuritaire de la vapeur chaude et des flammes.

#### Copeaux de bois trempés

Trempez la quantité désirée de copeaux dans l'eau pendant 30 minutes. Enveloppez les copeaux de bois dans du papier d'aluminium et percez des trous sur le dessus de l'emballage. **SUIVEZ LES ÉTAPES DE LA PAGE SUIVANTE AVANT D'AJOUTER DES COPEAUX DE BOIS TREMPÉS.**



## INSTRUCTIONS DE FONCTIONNEMENT

---

### **Copeaux de bois secs**

Les copeaux de bois secs peuvent être placés directement sur le charbon allumé, qu'ils soient dans du papier d'aluminium ou non.

### **SUIVEZ LES ÉTAPES CI-DESSOUS AVANT D'AJOUTER DES COPEAUX DE BOIS SECS.**

La quantité et l'essence de bois à utiliser dépendent entièrement de la concentration de saveur désirée. Veuillez vous reporter au tableau ci-dessous pour des conseils sur l'utilisation de copeaux de bois avec différents aliments.

#### **Étape 1**

Tenez-vous à l'écart et ouvrez doucement la porte du fumoir décalé pour permettre à la chaleur et à la vapeur de s'échapper loin de votre visage. Faites preuve de prudence, car des flammes peuvent jaillir lorsque de l'air frais entre soudainement en contact avec le feu. Il est possible d'ajouter du bois, soit en retirant les grilles de cuisson avec des mitaines de four ou gants résistants aux flammes OU en utilisant le tiroir d'accès latéral.

#### **Étape 2**

Muni de mitaines de four ou de gants résistants aux flammes, utilisez de longues pinces à cuisson en métal pour balayer doucement les cendres qui recouvrent les charbons ardents. Utilisez les longues pinces à cuisson en métal pour ajouter des copeaux de bois (ou des charbons) directement sur les charbons, en prenant soin de ne pas soulever de cendres et de ne pas provoquer d'étincelles.

 **AVERTISSEMENT : N'ajoutez jamais d'allume-feu liquide sur les charbons ardents ou même chauds, car cela pourrait provoquer un retour de flamme entraînant des blessures graves.**

Attendez que les braises aient complètement refroidi avant de réutiliser ou de nettoyer le barbecue ou le fumoir.

## CONSEILS SUR LE FUMAGE

Le fumage d'aliments est différent de la cuisson normale. Le fumage se fait généralement lentement et à une température plus basse que la cuisson. La fumée produite par le bois s'infuse d'elle-même dans la viande, ce qui lui confère ce délicieux goût de fumée. La cuisson normale, elle, se fait beaucoup plus rapidement et à des températures plus élevées.

- Les petits copeaux de bois sont plus efficaces dans le tiroir à copeaux de bois.
- Utilisez des bois francs secs comme les bois de caryer, de pacanier, de pommier, de cerisier et de mesquite.
- Pour produire davantage de fumée et éviter la combustion trop rapide, trempez les copeaux de bois dans un bol d'eau à part pendant 30 minutes avant leur utilisation, ou enveloppez-les dans du papier d'aluminium perforé.
- L'aromatisation des aliments par la fumée se produit principalement pendant la première heure de cuisson. **L'ajout de copeaux de bois après la première heure de cuisson n'est généralement pas nécessaire, sauf si vous désirez un arôme de fumée plus prononcé.**

Voici une liste des essences de bois les plus répandues pour le fumage des aliments, ainsi que quelques renseignements sur chacune d'elles :

Essence de bois	Aliment suggéré	Commentaires
Pommier	Toutes les viandes	Saveur douce, sucrée et légèrement fruitée. Chaque espèce de pommier confère aux aliments une saveur légèrement différente. Le bois de pommier produit un effet de brunissement qui rend la nourriture encore plus appétissante.
Amandier	Toutes les viandes	Produit une fumée sucrée avec des saveurs naturelles de noix.
Frêne	Poisson et viandes rouges	Saveur très douce.
Citrus	Porc et poulet	Les bois de citronnier et d'oranger confèrent aux aliments une saveur douce et fruitée.
Cerisier	Porc et bœuf	Saveur douce et fruitée.
Arbres fruitiers	Porc, volaille et poisson	Le bois d'arbres fruitiers, comme le pêcher, le poirier et le prunier, confère aux aliments une saveur douce, sucrée et légèrement fruitée.
Vigne	Volaille, gibier et agneau	Le bois de vigne dégage beaucoup de fumée et brûle longtemps en petite quantité. Il confère aux aliments une saveur acidulée et légèrement fruitée.
Caryer	Porc et bœuf	Le bois de caryer est sans doute le bois le plus apprécié des amateurs de fumage. La saveur qu'il produit est très prononcée; par conséquent, nous recommandons de l'utiliser en faible quantité pour commencer.
Érable	Porc et volaille	Saveur douce et sucrée.
Mesquite	Bœuf, poulet et poisson	Le bois de mesquite dégage une chaleur intense, alors soyez prudent. Tout comme le bois de caryer, il est très apprécié et confère aux aliments une saveur prononcée.
Chêne	Viandes rouges, gibier, côtes levées et poisson	Le bois de chêne produit également une fumée dense. Utilisez-en une faible quantité pour commencer.
Pacanier	Côtes levées et viandes rouges	Le bois de pacanier produit une fumée légère qui confère aux aliments une saveur sucrée et un goût de pacane.

# SUGGESTIONS SUR LES TEMPÉRATURES DE FUMAGE ET DE CUISSON DE LA VIANDE

## Températures de fumage

Des températures de fumage précises sont essentielles pour faire cuire les aliments de manière sécuritaire si vous ne disposez pas d'une sonde thermique. Veuillez noter que la jauge de température préinstallée est un outil acceptable pour le fumage des aliments, mais que ce n'est pas toujours le moyen idéal pour mesurer la température exacte de fumage, car il peut y avoir une différence de température à l'intérieur du fumoir entre les grilles de cuisson supérieure et inférieure. Veuillez également garder à l'esprit que les sondes de la majorité des jauges sont conçues pour mesurer la température à leur extrémité et non pour mesurer la température globale à l'intérieur du fumoir.

Autrement, il est recommandé que les utilisateurs se procurent une jauge de température à four ou un thermomètre à viande. Le thermomètre à viande est le moyen le plus efficace de déterminer quand les aliments ont atteint la température sécuritaire de cuisson.

Veuillez vous reporter au tableau ci-dessous pour connaître les températures de cuisson.

## SUGGESTIONS DE TEMPÉRATURES DE FUMAGE

	Température de fumage suggérée	Température sécuritaire de cuisson
<b>Porc, volaille et poisson</b>		
<b>Bœuf, veau et agneau (coupes entières et morceaux)</b>		
Mi-saignant	107,2 °C (225 °F)	63 °C (145 °F)
À point	107,2 °C (225 °F)	71 °C (160 °F)
Bien cuit	107,2 °C (225 °F)	77 °C (170 °F)
<b>Porc (jambon, longe de porc, côtes levées)</b>		
Porc (coupes entières et morceaux)	107,2 °C à 115,6 °C (225 °F à 240 °F)	71 °C (160 °F)
<b>Viandes hachées et mélanges de viande (hamburgers, saucisses, boulettes, plats en casserole et bœuf attendri mécaniquement)</b>		
Bœuf, veau (y compris la viande attendrie mécaniquement), agneau et porc	121 °C à 149 °C (250 °F à 300 °F)	71 °C (160 °F)
Volaille (poulet et dinde)	121 °C à 149 °C (250 °F à 300 °F)	74 °C (165 °F)
<b>Volaille (poulet, dinde, canard)</b>		
Morceaux	121 °C (250 °F)	74 °C (165 °F)
Entière	115,6 °C (240 °F)	85 °C (185 °F)
<b>Fruits de mer</b>		
Poisson	107,2 °C à 115,6 °C (225 °F à 240 °F)	70 °C (158 °F)
Crustacés (crevettes, homard, crabe, pétoncles, palourdes, moules et huîtres)	107,2 °C à 115,6 °C (225 °F à 240 °F)	74 °C (165 °F)
<b>Étant donné qu'il est difficile d'utiliser un thermomètre pour aliments pour mesurer la température des mollusques, jetez ceux dont la coquille n'a pas ouvert lors de la cuisson.</b>		

	Température de fumage suggérée	Température sécuritaire de cuisson
<b>Gibier</b>		
<b>Côtelettes, steaks et rôtis (cerf, wapiti, orignal, caribou/renne, antilope et antilope d'Amérique)</b>		
Bien cuit	107,2 °C (225 °F)	77 °C (170 °F)
<b>Grand gibier</b>		
Ours, bison, bœuf musqué morse, etc.	121 °C à 149 °C (250 °F à 300 °F)	74 °C (165 °F)
<b>Petit gibier</b>		
Lièvre, rat musqué, castor, etc.	107,2 °C à 115,6 °C (225 °F à 240 °F)	74 °C (165 °F)
<b>Viande hachée</b>		
Viandes hachées et mélanges de viande	121 °C à 149 °C (250 °F à 300 °F)	74 °C (165 °F)
Venaison hachée et saucisse	121 °C à 149 °C (250 °F à 300 °F)	74 °C (165 °F)
<b>Gibier à plumes/oiseaux aquatiques (dindon sauvage, canard, oie, perdrix et faisan)</b>		
Entier	121 °C (250 °F)	82 °C (180 °F)
Poitrines et rôtis	121 °C (250 °F)	74 °C (165 °F)
Cuisses, ailes	121 °C (250 °F)	74 °C (165 °F)
Farce (cuite à part ou dans l'oiseau)	121 °C (250 °F)	74 °C (165 °F)

### SÉCURITÉ ET ENTRETIEN APRÈS USAGE

#### **AVERTISSEMENT**

- Soyez prudent lorsque vous soulevez et déplacez l'appareil afin d'éviter les douleurs et les blessures.
- N'entreposez **PAS** l'appareil près d'essence ou d'autres liquides combustibles, ni dans des endroits où des vapeurs combustibles peuvent être présentes. Maintenez la zone entourant l'appareil propre et libre de tout matériau ou de toute vapeur combustibles.
- Ne rangez **PAS** l'appareil dans un endroit accessible aux enfants ou aux animaux. Rangez-le dans un endroit sec et protégé.
- Ne laissez **PERSONNE** mener des activités autour de l'appareil après son fonctionnement tant qu'il n'a pas refroidi. Il devient chaud pendant son fonctionnement et reste chaud pendant un certain temps après l'utilisation.
- Ne laissez **PAS** de cendres chaudes sans surveillance tant que l'appareil n'a pas complètement refroidi.
- Le barbecue et le fumoir décalé deviennent extrêmement chauds – laissez-les refroidir complètement avant de les manipuler. Laissez-les refroidir avant d'enlever et de nettoyer le récupérateur de graisse.
- Jetez les cendres **froides** en les enveloppant dans du papier d'aluminium très résistant et en les plaçant dans un contenant incombustible.
- Si vous devez jeter les cendres avant qu'elles n'aient complètement refroidi, retirez les cendres à l'aide de gants résistants à la chaleur, de même qu'à l'aide de pinces en métal ou d'une pelle à cendres Dyna-Glo (en option) ou autre. Placez les cendres dans du papier d'aluminium. Trempez-les complètement dans l'eau avant de les jeter dans un contenant incombustible.

#### **MISE EN GARDE : Toutes les procédures d'entretien et de maintenance doivent être effectuées lorsque l'appareil a complètement refroidi. La maintenance doit toujours être confiée à un technicien qualifié.**

Nettoyer les grilles de cuisson à l'aide d'eau chaude savonneuse. Rincez-les et essuyez-les bien. Il est préférable d'enduire les grilles de cuisson d'un peu d'huile ou d'aérosol de cuisson.

Pour nettoyer l'intérieur et l'extérieur de l'appareil, utilisez simplement un chiffon humide. Le lavage à l'aide d'un boyau d'arrosage n'est pas recommandé. L'humidité doit être essuyée et ne doit pas être tolérée à l'intérieur ou sur le dessus de l'appareil. Une fois l'appareil nettoyé, il est préférable d'enduire l'intérieur de la chambre de combustion d'un peu d'huile ou d'aérosol de cuisson.

S'il y a présence de rouille sur la surface extérieure de l'appareil, nettoyez la zone à l'aide d'une laine d'acier ou d'une toile d'émeri et utilisez de la peinture durable résistant à la chaleur.

N'appliquez JAMAIS de peinture supplémentaire à l'intérieur de l'appareil. S'il y a présence de rouille à l'intérieur de l'appareil, nettoyez-le bien à l'aide d'une laine d'acier ou d'une toile d'émeri et enduisez la zone d'un peu d'huile ou d'aérosol de cuisson pour aider à réduire la réapparition de la rouille.

Pour protéger l'appareil des conditions climatiques, couvrez-le toujours lorsque vous ne l'utilisez pas.

## **GARANTIE**

---

Cet appareil est garanti contre les pièces brisées ou endommagées au moment de l'achat. Toutes les pièces sont couvertes par une garantie limitée d'un (1) an. La peinture est garantie contre les défauts pour une période de 90 jours, mais n'est pas garantie contre la rouille, qui pourrait apparaître après une utilisation répétée.

La garantie ne couvre pas les dommages et les problèmes causés par une négligence, une utilisation abusive ou des modifications apportées à l'appareil. La garantie ne couvre pas les coûts de main-d'œuvre.

Pour chaque pièce couverte par la garantie, une pièce de remplacement sera livrée sans frais selon la méthode choisie par GHP Group, Inc. (livraisons par voie terrestre, service postal des États-Unis ou services de colis postaux UNIQUEMENT). Tous les frais de manutention spéciaux (p. ex. 2 jours, jour suivant, etc.) relèvent de la responsabilité du consommateur.

Toutes les réclamations sous garantie s'appliquent uniquement à l'acheteur initial du produit et nécessitent une preuve d'achat qui indique la date d'achat. Ne retournez aucune pièce à l'adresse de GHP sans avoir obtenu au préalable un numéro d'autorisation de retour de la part du service à la clientèle. Pour obtenir ce service, appelez sans frais au 1 877 447-4768, entre 8 h 30 et 16 h 30 (HNC), du lundi au vendredi.

Les lois en vigueur dans certains États, provinces ou territoires n'autorisent pas l'exclusion ou la limitation des dommages consécutifs ou indirects, ou encore la limitation de la durée d'une garantie implicite et, par conséquent, les limitations et exclusions énoncées ci-dessus pourraient ne pas s'appliquer à vous. La présente garantie vous accorde des droits spécifiques reconnus par la loi et vous bénéficiez peut-être aussi d'autres droits, qui peuvent varier selon l'État, la province ou le territoire.

GHP Group, Inc.  
6440 W. Howard St.  
Niles, IL, États-Unis  
60714-3302

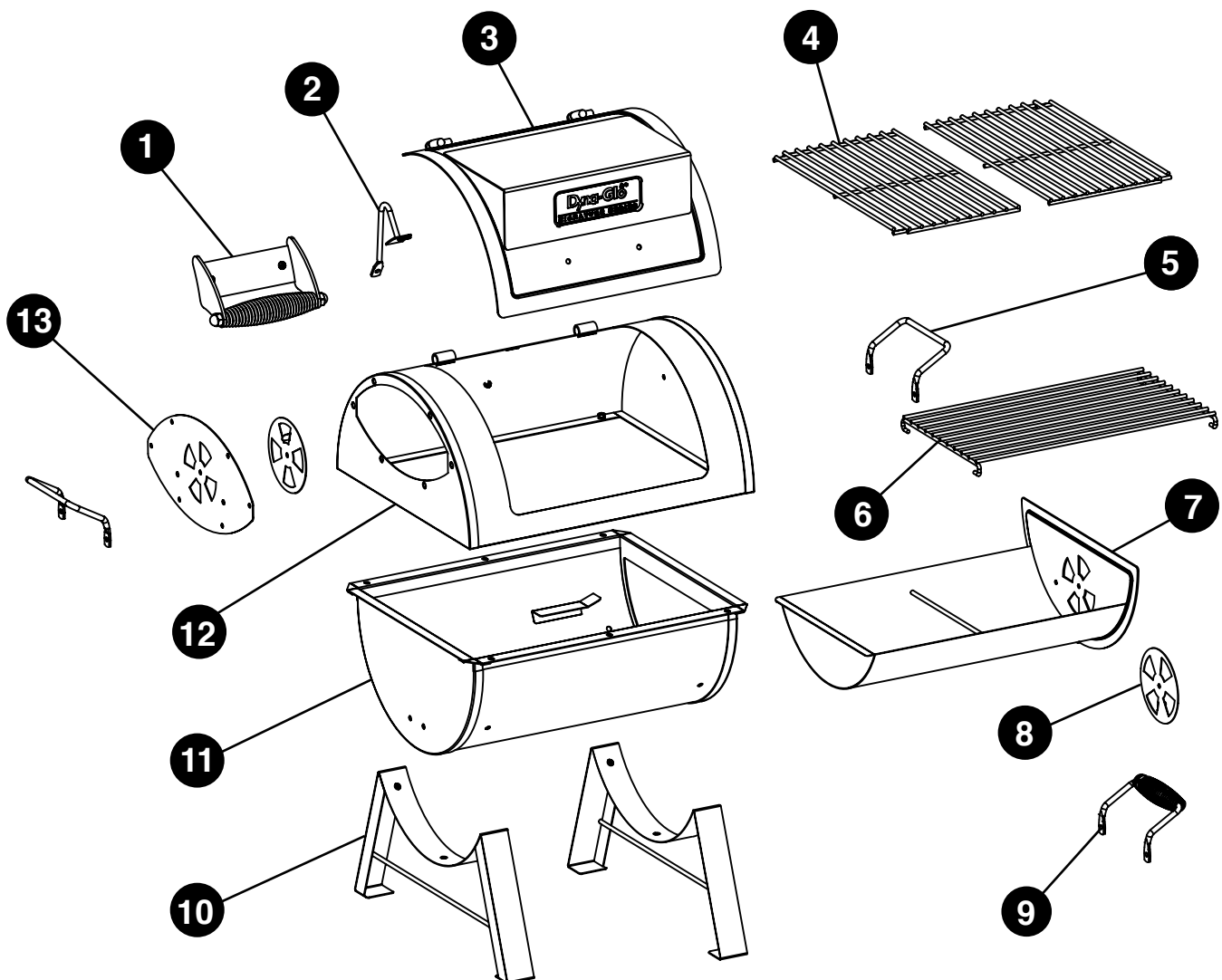
Nom de l'article : Barbecue au charbon haute-capacité et fumoir décalé  
N° de modèle : DGSS287CB/DGSS287CB-D

## LISTE DES PIÈCES DE RECHANGE

Pour obtenir des pièces de rechange, appelez notre service à la clientèle au 1 877 447-4768, entre 8 h 30 et 16 h 30 (HNC), du lundi au vendredi, ou écrivez à [customerservice@ghpgroupinc.com](mailto:customerservice@ghpgroupinc.com).

PIÈCE	DESCRIPTION	NUMÉRO DE PIÈCE
1	Poignée du couvercle	70-01-584
2	Support du couvercle	70-01-528
3	Couvercle (sans poignée)	70-01-529
4	Grille de cuisson (1)	70-01-535
5	Poignée latérale – gauche/droite	70-01-563
6	Grille à charbon	70-01-536
7	Tiroir d'accès	70-01-533
8	Registre – tiroir et chambre de combustion (1)	70-01-593

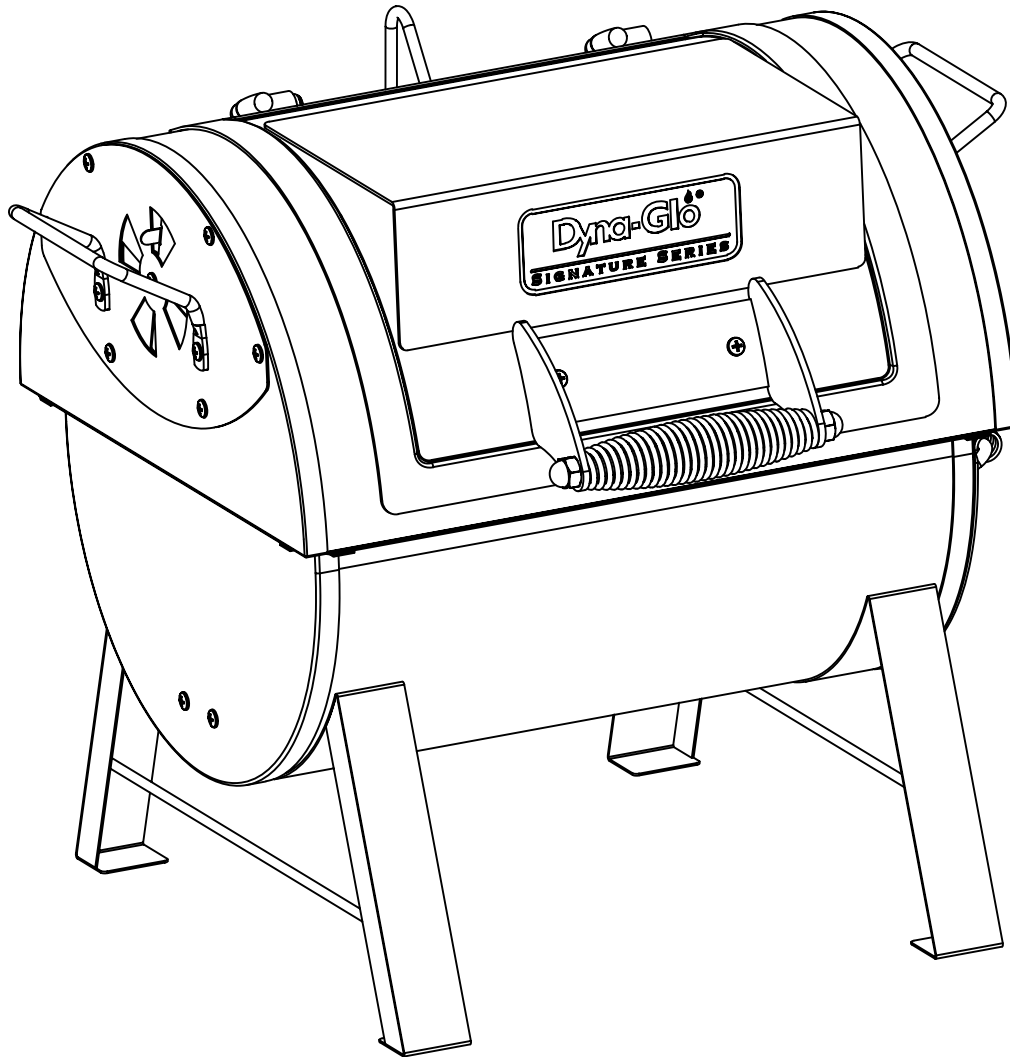
PIÈCE	DESCRIPTION	NUMÉRO DE PIÈCE
9	Poignée du tiroir d'accès	70-01-534
10	Pied – gauche/droit	70-01-564
11	Partie inférieure de la chambre de combustion	70-01-532
12	Partie supérieure de la chambre de combustion (sans le couvercle)	70-01-557
13	Plaque d'adaptation à la chambre de combustion	70-01-565
n/a	Trousse de matériel	70-09-516
n/a	Guide d'instruction	70-10-587





# Resistente parrilla y ahumador lateral

MODELO N.º DGSS287CB-D /  
DGSS287CB



ADJUNTE SU RECIBO AQUÍ

Número de serie \_\_\_\_\_ Fecha de compra \_\_\_\_\_



**¿Dudas, problemas, piezas faltantes?** Antes de volver a la tienda, llame a nuestro Departamento de Atención al Cliente al 1-877-447-4768, de lunes a viernes de 8:30 a 16:30 (hora central estándar), o escriba a [customerservice@ghpgroupinc.com](mailto:customerservice@ghpgroupinc.com).

70-10-587

Rev. 12/19/16

## CONTENIDO


---

Información de seguridad .....	48
Contenido del paquete .....	50
Herramientas y tornillería .....	51
Preparación .....	51
Instrucciones de ensamblaje .....	52
Instrucciones de funcionamiento .....	62
Consejos para ahumar .....	65
Cuidado y mantenimiento .....	67
Garantía .....	68
Lista de piezas de repuesto .....	69

## INFORMACIÓN DE SEGURIDAD

---

Lea el manual entero atentamente antes de intentar ensamblar, poner en funcionamiento o instalar el producto. Si tiene alguna pregunta sobre el producto, llame a nuestro Departamento de Atención al Cliente al 1-877-447-4768, de lunes a viernes de 8:30 a 16:30 (hora central estándar), o escriba a [customerservice@ghpgroupinc.com](mailto:customerservice@ghpgroupinc.com).

-  Tenga precaución al levantar y mover la unidad para evitar un esguince o lesión en la espalda. No mueva la unidad mientras esté en uso.
- **NO** ponga en funcionamiento la unidad cerca ni debajo de materiales combustibles o inflamables, como pisos de madera, galerías o cocheras.
  - La distancia mínima desde los laterales y la parte trasera hasta la estructura combustible debe ser de 36 pulgadas (91,4 cm).
  - **NO** ponga en funcionamiento la unidad debajo de techos.
  - **NO** utilice este ahumador y parrilla como calefactor.
  - Utilice la unidad sobre una superficie no combustible, estable y nivelada, por ejemplo, una superficie asfaltada, de cemento o tierra firme.
  - **NO** ponga en funcionamiento la unidad sobre material inflamable, como alfombra o pisos de madera.
  - Tenga precaución al ensamblar y utilizar esta unidad para evitar cortarse y rasparse con los bordes.



## INFORMACIÓN DE SEGURIDAD

---

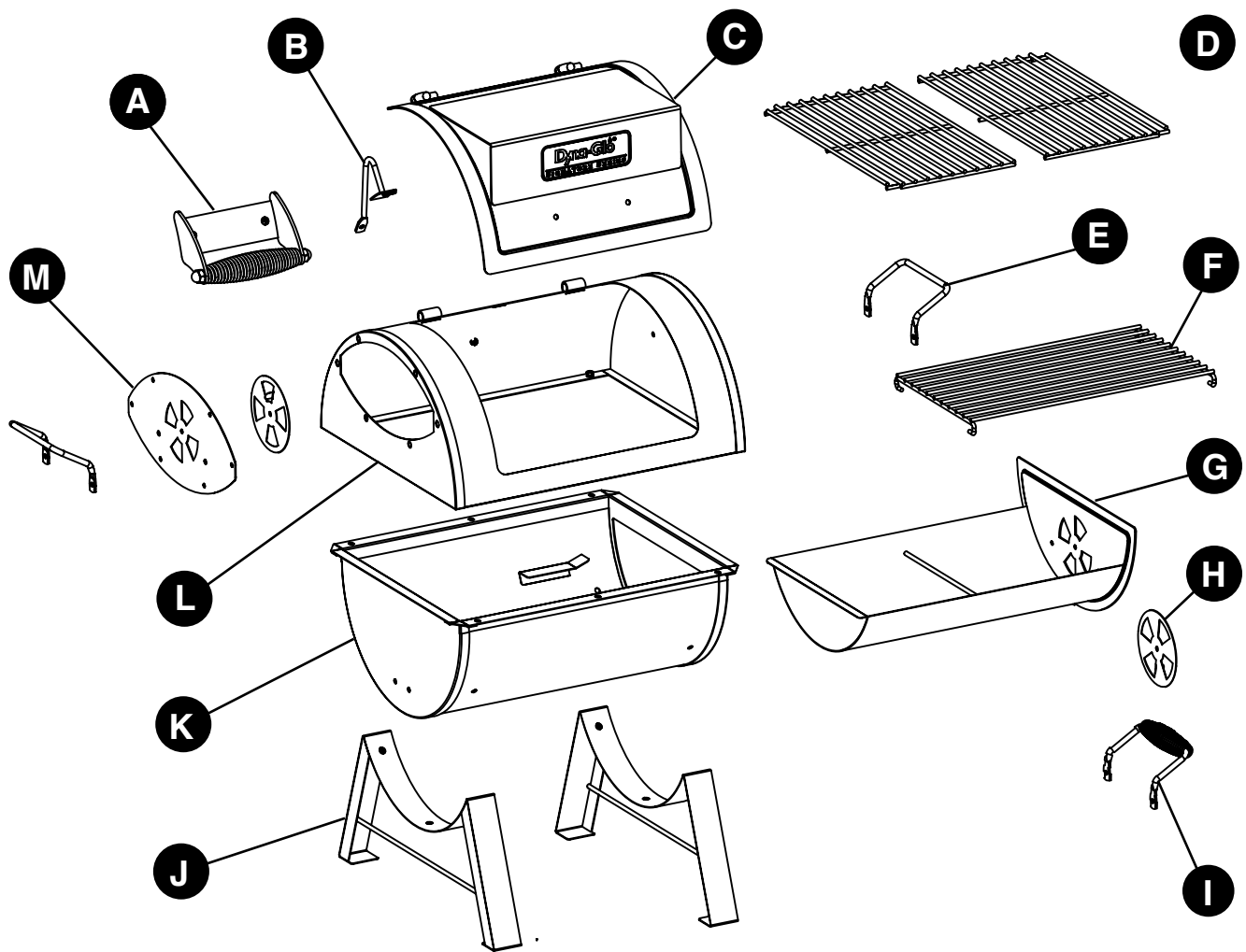
- **NO** utilice este producto con una finalidad para la que no fue diseñado. NO está diseñada para uso comercial. NO está diseñada para ser instalada o utilizada en interiores ni sobre casas rodantes o embarcaciones.
- **NO** guarde esta unidad cerca de gasolina u otros líquidos combustibles o donde podría haber otros vapores combustibles.
- **NO** utilice ni guarde esta unidad en un área a la que podrían acceder niños o mascotas. Guarde esta unidad en un lugar seco y protegido.
- **NO** deje desatendida la unidad mientras esté en uso.
- **NO** deje desatendidas las cenizas calientes hasta que la unidad se enfríe completamente.
- **NO** mueva la unidad mientras esté encendida o mientras las cenizas estén calientes. Deje que la unidad se enfríe completamente antes de moverla o guardarla.
- **NUNCA** utilice gasolina, kerosene, líquido combustible Zippo/Ronson ni otros líquidos altamente volátiles para encender la unidad.
- Siempre cocine los alimentos sobre la parrilla una vez que la llama se haya apagado.
- Deseche las cenizas frías envolviéndolas en una hoja de aluminio resistente y colocándolas en un contenedor no combustible. Asegúrese de que no haya otros materiales combustibles dentro o cerca del contenedor.
- Si debe desechar las cenizas antes de que estén completamente frías, quítelas de la unidad utilizando guantes termorresistentes junto con una pinza de metal larga o una pala para hogar. Coloque las brasas en una hoja de aluminio y mójelas por completo con agua antes de desecharlas en un contenedor no combustible.
- Deje que la unidad se enfríe completamente antes de realizar la limpieza o el mantenimiento de rutina.
- Este producto estará caliente durante y después del uso. Utilice manoplas o guantes aislantes para horno para protegerse de las superficies calientes o de las salpicaduras de los líquidos que se estén cocinando.
- Tenga precaución al abrir la puerta de la unidad durante el funcionamiento. Protéjase las manos, el rostro y el cuerpo del vapor caliente o de las llamaradas. **NO** inhale humo.
- **NO** use vestimentas sueltas mientras cocina en la unidad. Sujétese el cabello hacia atrás mientras cocina.
- **SIEMPRE** use calzado que le cubra completamente los pies mientras cocine en la unidad.
- **NUNCA** use vajilla de cristal ni utensilios de plástico o cerámica sobre la unidad ni dentro de ella. Use utensilios metálicos únicamente.
- El uso de accesorios que no estén diseñados para esta unidad no es recomendable y podría causar lesiones personales o daños materiales.

### PROPOSICIÓN 65 DE CALIFORNIA

Los combustibles utilizados en los artefactos que queman madera y carbón, así como los productos de la combustión de esas sustancias, contienen productos químicos que, según el estado de California, pueden provocar cáncer, anomalías congénitas u otros daños reproductivos. Este producto contiene productos químicos, como plomo y compuestos de plomo, que, según el estado de California, pueden provocar cáncer, anomalías congénitas u otros daños reproductivos.

***Lávese las manos después de manipular estos productos.***

## CONTENIDO DEL PAQUETE



PIEZA	DESCRIPCIÓN	CANTIDAD
A	Manija de la tapa	1
B	Abrazadera de la tapa	1
C	Tapa	1
D	Rejilla para cocinar	2
E	Manija lateral - Izquierda/derecha	2
F	Rejilla para carbón	1
G	Bandeja de acceso	1
H	Plato regulador - Bandeja y cámara de combustión	2
I	Manija de la bandeja de acceso	1
J	Conjunto de patas - Izquierda/derecha	2
K	Sección inferior de la cámara de combustión	1
L	Sección superior de la cámara de combustión	1
M	Plato adaptador de la cámara de combustión	1

## HERRAMIENTAS Y TORNILLERÍA

---

AA

BB

CC



Perno  
M6 x 12

Tuerca  
M6

Contratuerca  
M6

Cant. 29

Cant. 9

Cant. 2

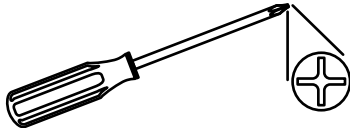
## PREPARACIÓN

---

Antes de comenzar a ensamblar el producto, asegúrese de tener todas las piezas. Compare las piezas con la lista del contenido del paquete, y con las herramientas y tornillería que figuran más arriba. No intente ensamblar el producto si falta una pieza o hay una pieza dañada. Comuníquese con el servicio de atención al cliente para obtener las piezas de repuesto.

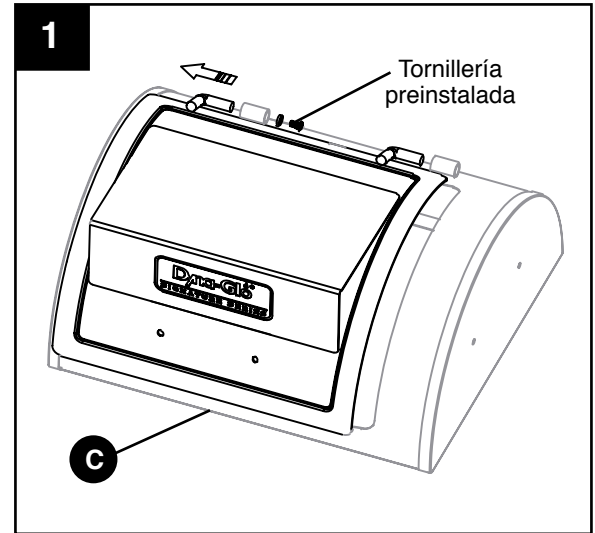
**Tiempo estimado para el ensamblaje: 30 minutos**

Herramientas requeridas para el ensamblaje (no incluidas): destornillador Phillips, llave ajustable

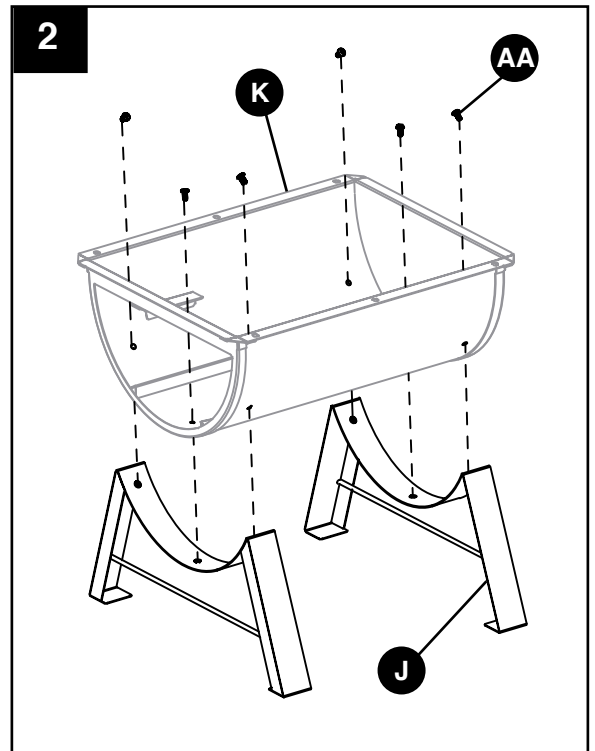


## INSTRUCCIONES DE ENSAMBLAJE


1. Quite el perno y la arandela preinstalados de la bisagra izquierda de la tapa y deslice la tapa (C) hacia afuera de las bisagras.



2. Fije el conjunto de patas izquierda y derecha (J) a la sección inferior de la cámara de combustión (K) utilizando tres pernos M6 x 12 (AA) en cada pata.



### Herramientas y tornillería utilizadas

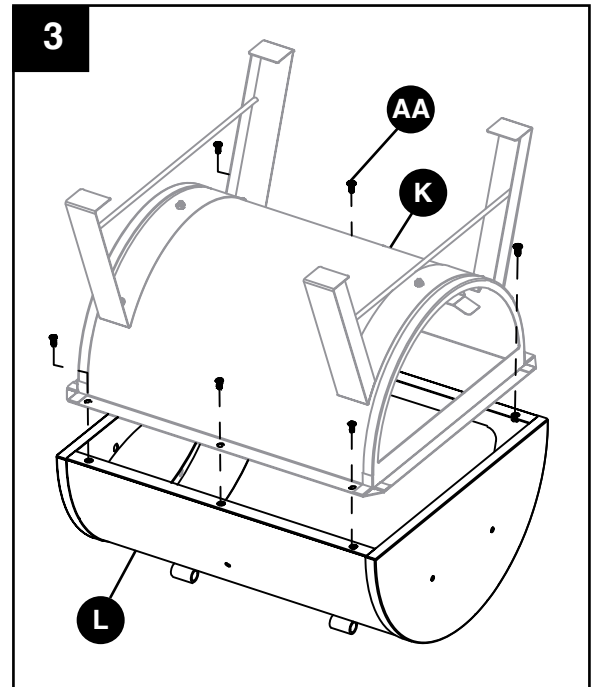
**AA** Perno M6 x 12 mm  x 6

## INSTRUCCIONES DE ENSAMBLAJE

3. Fije la sección inferior de la cámara de combustión (K) a la sección superior (L) utilizando seis pernos M6 x 12 (AA).

### Herramientas y tornillería utilizadas

**AA** Perno M6 x 12 mm  x 6

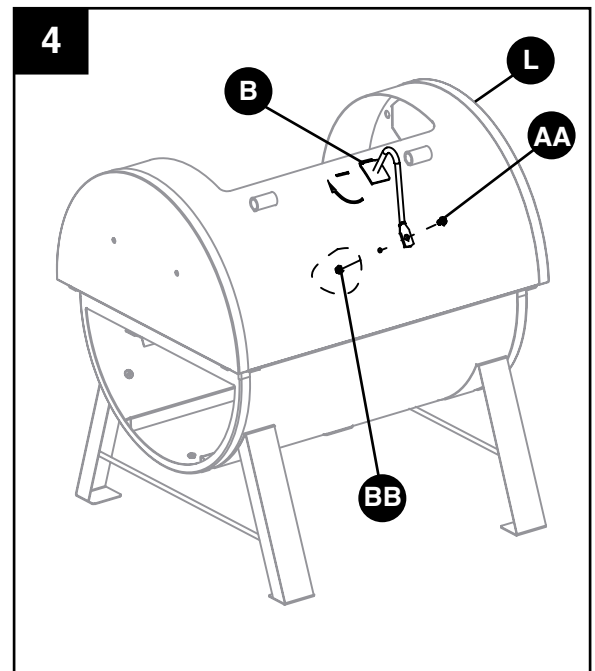


4. Inserte el borde de la abrazadera de la tapa (B) en la abertura ranurada de la sección superior de la cámara de combustión (L). Fíjela utilizando un perno M6 x 12 (AA) y una tuerca M6 (BB).

### Herramientas y tornillería utilizadas

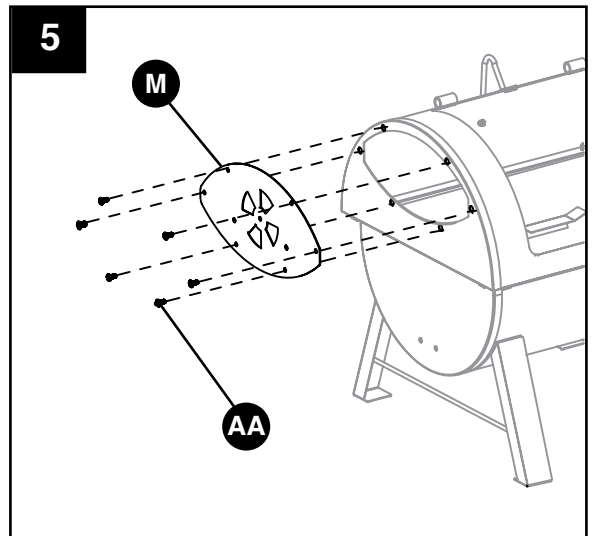
**AA** Perno M6 x 12 mm  x 1

**BB** Tuerca M6  x 1




## INSTRUCCIONES DE ENSAMBLAJE

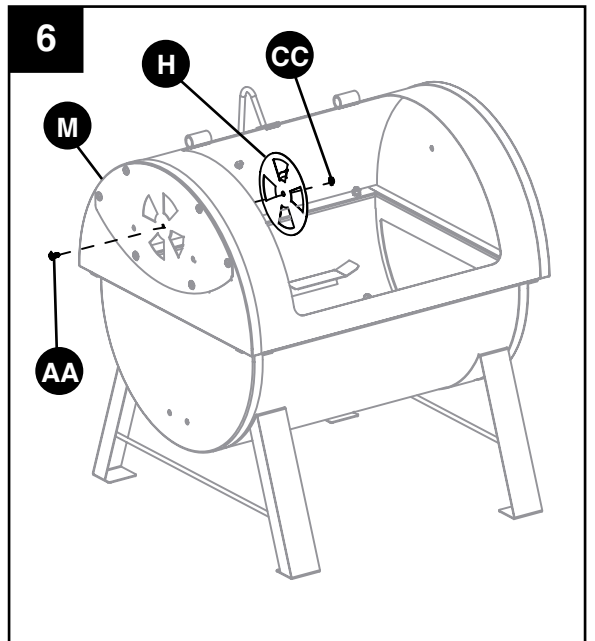
5. Fije el plato adaptador de la cámara de combustión (M) utilizando seis pernos M6 x 12 (AA).



### Herramientas y tornillería utilizadas

- AA** Perno M6 x 12 mm  x 6

6. Fije el plato regulador (H) a la parte interior del plato adaptador (M) utilizando un perno M6 x 12 (AA) y una contratuerca M6 (CC).



### Herramientas y tornillería utilizadas

- AA** Perno M6 x 12 mm  x 1
- CC** Contratuerca M6  x 1



## INSTRUCCIONES DE ENSAMBLAJE

7. Fije la manija lateral (E) al plato adaptador (M) utilizando dos pernos M6 x 12 (AA) y dos tuercas M6 (BB).

Use dos pernos M6 x 12 (AA) y dos tuercas M6 (BB) para rellenar los dos orificios de la sección inferior de la cámara de la combustión (K).



Nota: La parrilla también puede utilizarse como ahumador lateral. Viene con orificios inferiores perforados para usar una abrazadera de soporte (no se incluye). Para obtener más información sobre el uso de esta parrilla como ahumador lateral, consulte la página 13.

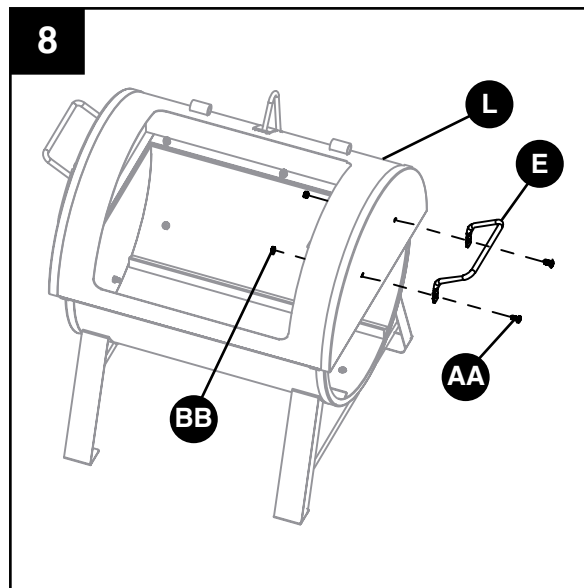
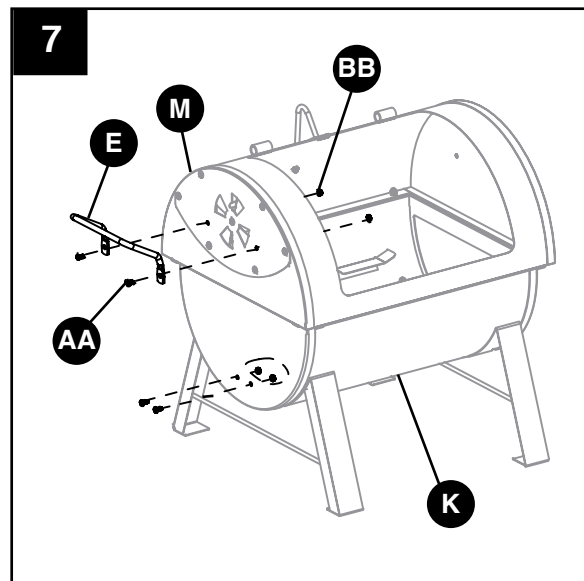
### Herramientas y tornillería utilizadas

<b>AA</b>	Perno M6 x 12 mm		x 4
<b>BB</b>	Tuerca M6		x 4

8. Fije la otra manija lateral (E) a la sección superior de la cámara de combustión (L) utilizando dos pernos M6 x 12 (AA) y dos tuercas M6 (BB).

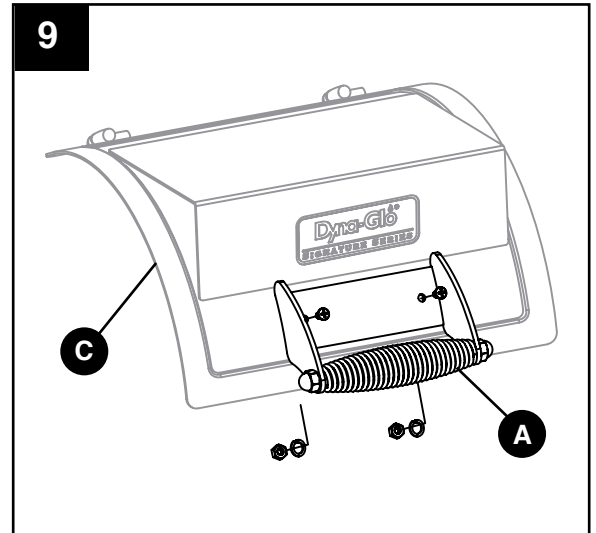
### Herramientas y tornillería utilizadas

<b>AA</b>	Perno M6 x 12 mm		x 2
<b>BB</b>	Tuerca M6		x 2

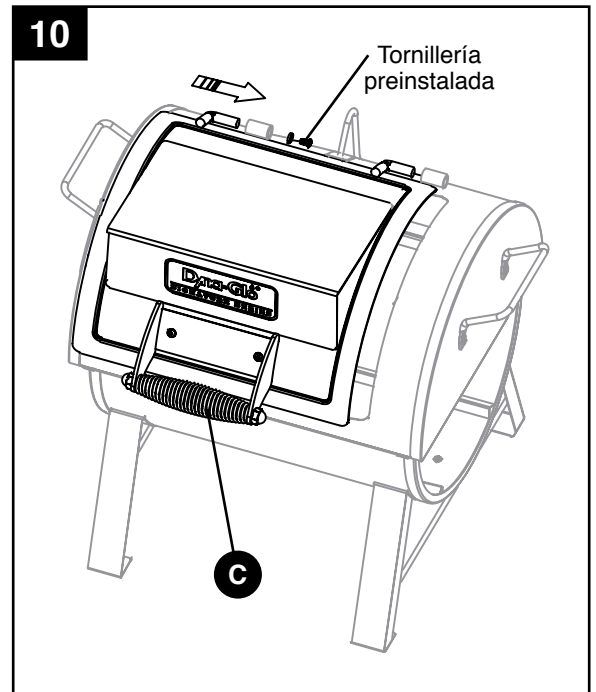


## INSTRUCCIONES DE ENSAMBLAJE

9. Fije la manija de la tapa (A) a la tapa (C) utilizando los pernos, las arandelas y las tuercas preinstalados.



10. Vuelva a instalar la tapa (C) utilizando la arandela y el perno preinstalados.





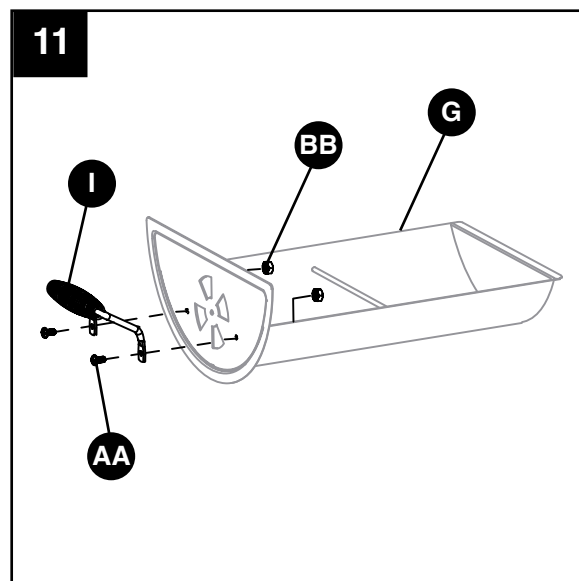


## INSTRUCCIONES DE ENSAMBLAJE

11. Fije la manija de la bandeja de acceso (I) a la bandeja de acceso (G) utilizando dos pernos M6 x 12 (AA) y dos tuercas M6 (BB).



### Herramientas y tornillería utilizadas

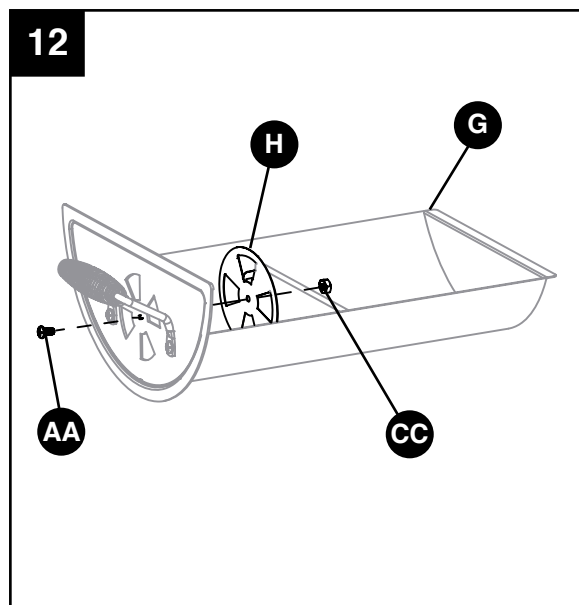
<b>AA</b>	Perno M6 x 12 mm		x 2
<b>BB</b>	Tuerca M6		x 2



12. Fije el plato regulador (H) a la parte interior de la bandeja de acceso (G) utilizando un perno M6 x 12 (AA) y una contratuerca M6 (CC).

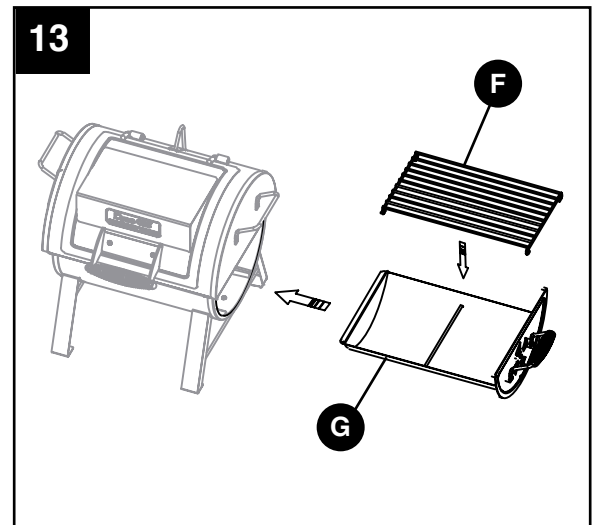
### Herramientas y tornillería utilizadas

<b>AA</b>	Perno M6 x 12 mm		x 1
<b>CC</b>	Contratuerca M6		x 1

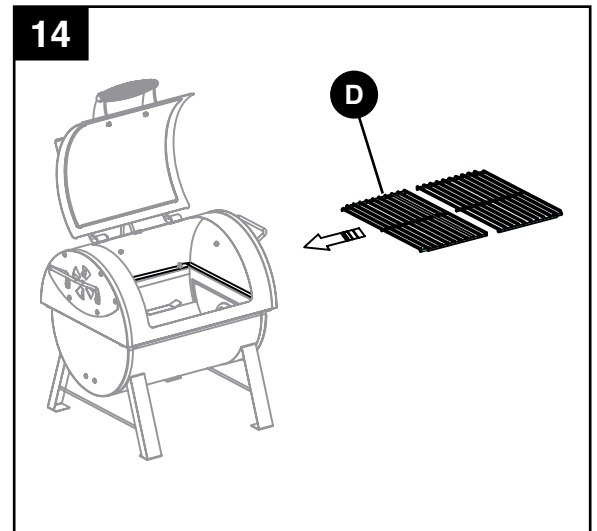


## INSTRUCCIONES DE ENSAMBLAJE

13. Coloque la rejilla para carbón (F) dentro de la bandeja de acceso (G) y deslice la bandeja hacia el interior del ahumador lateral.



14. Coloque las rejillas para cocinar (D) en el carril superior de la cámara de combustión.



## INSTRUCCIONES DE ENSAMBLAJE

### Uso de la cámara de combustión como ahumador lateral (opcional).

Esta parrilla también puede utilizarse como ahumador lateral en los modelos de parrilla Dyna Glo DGSS675CB-D y DGSS443CB-D.

#### Paso opcional A.

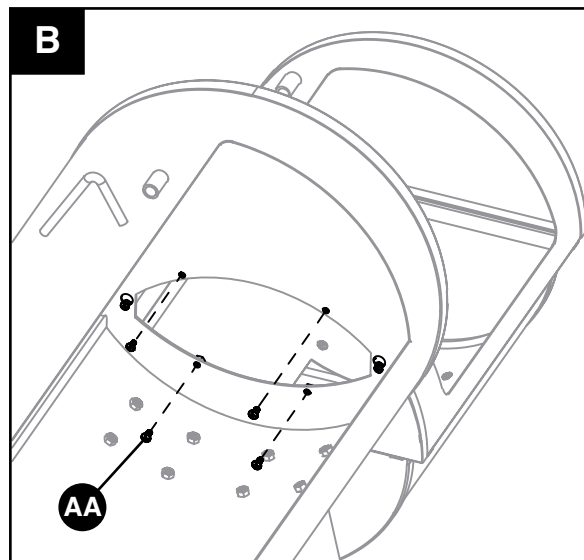
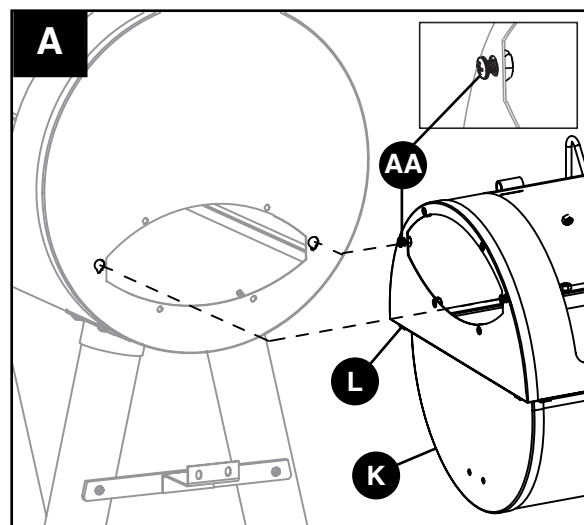
**NOTA: Los conjuntos de patas (J) pueden permanecer en el ahumador lateral o retirarse antes de la instalación. Al retirar las patas, asegúrese de volver a insertar los pernos M6 × 12 en los orificios de la sección inferior de la estructura de la parrilla/ahumador (K).**

Para instalar el ahumador lateral, retire la puerta de acceso del costado de la parrilla principal y el plato adaptador (pieza M, no se ilustra) de la sección superior del ahumador lateral (L). Vuelva a utilizar la tornillería del plato adaptador e inserte dos pernos M6 × 12 dejando expuesto por lo menos 1/4" (6 mm) del perno en los lados izquierdo y derecho de la abertura de la sección superior del ahumador (L). Inserte las cabezas de los pernos en los orificios bocallave del costado de la parrilla principal.

No apriete los pernos.

#### Paso opcional B.

Inserte los cuatro pernos M6 × 12 restantes en la estructura de la parrilla principal y apriete todos los pernos, incluidos los pernos laterales de los orificios bocallave.





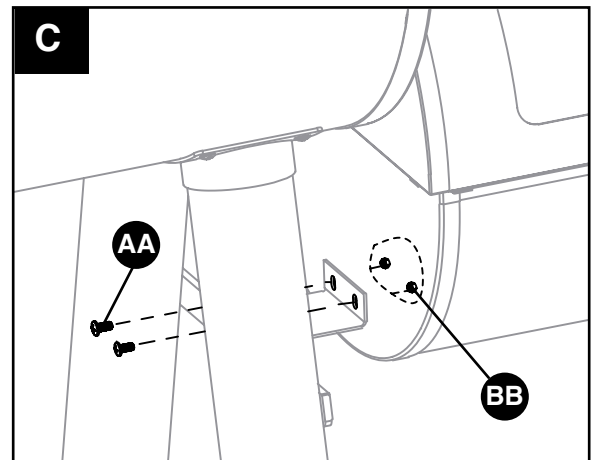
## INSTRUCCIONES DE ENSAMBLAJE

### Paso opcional C.

Fije el ahumador lateral a la abrazadera de soporte del conjunto lateral (no se incluye) utilizando los dos pernos M6 x 12 (AA) y las dos tuercas M6 (CC) que vienen en el paquete de herramientas y tornillería original.

### Herramientas y tornillería utilizadas

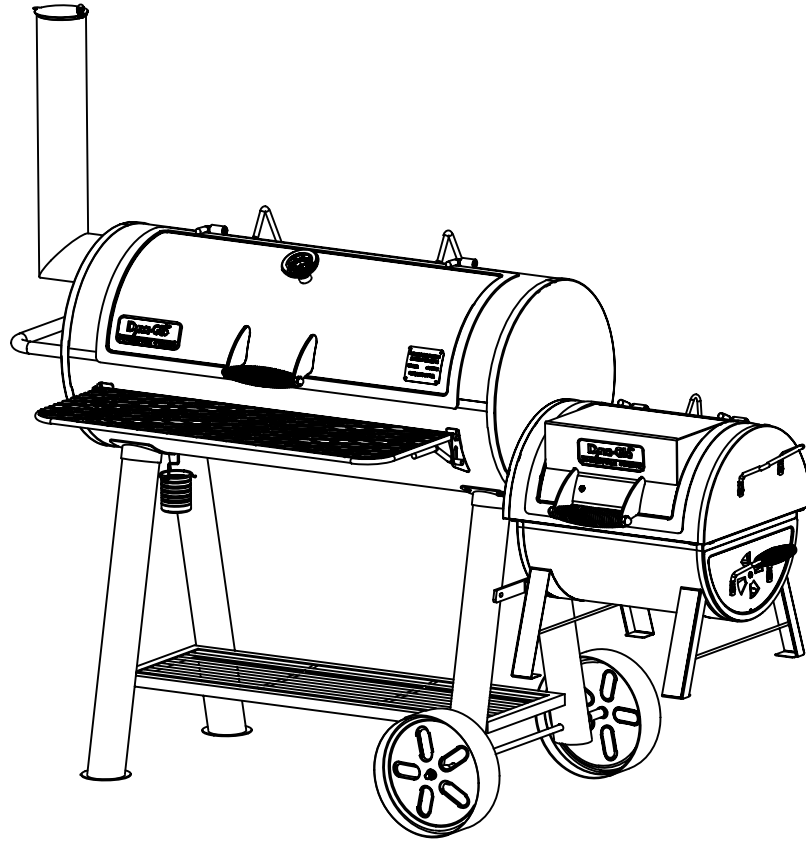
<b>AA</b>	Perno M6 x 12 mm		x 2
<b>BB</b>	Tuerca M6		x 2



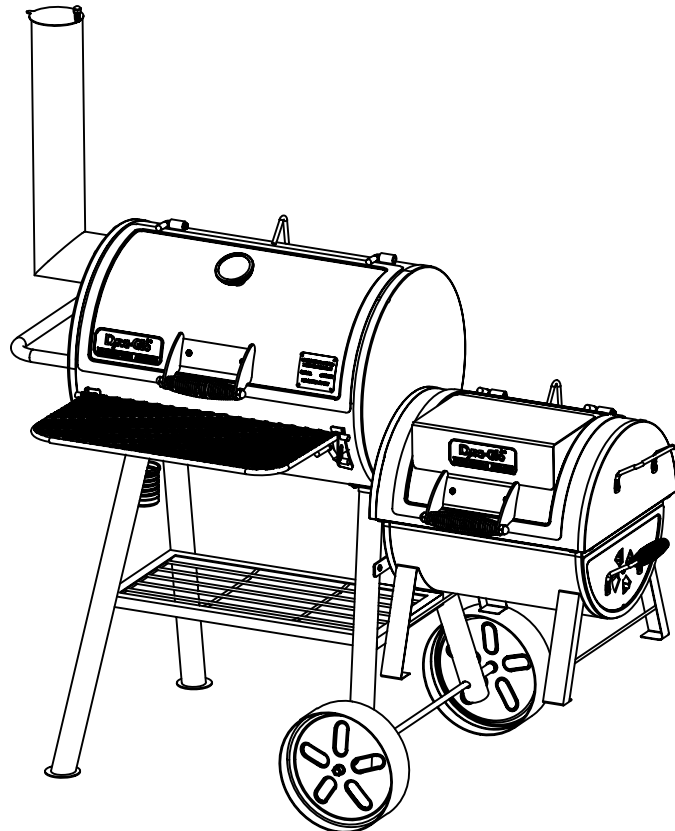
# INSTRUCCIONES DE ENSAMBLAJE

---

DGSS675CB-D



DGSS443CB-D



## INSTRUCCIONES DE FUNCIONAMIENTO

---

### ANTES DE UTILIZAR LA UNIDAD POR PRIMERA VEZ

Quite todas las presillas o las fajas de plástico, si están presentes.

Es importante "curar" la parrilla antes de cocinar alimentos. Este proceso sella la pintura y el interior de la parrilla para mejorar el sabor, la durabilidad y el rendimiento en general. Para curar la parrilla, simplemente utilícela como lo haría normalmente, pero sin agregar alimentos. Deberá seguir los procedimientos de encendido y funcionamiento de las secciones siguientes de este manual.

### Instrucciones de encendido para asar

#### **Comience con al menos 2 lb (0,91 kg) de carbón (de 35 a 40 briquetas estándar).**

Realice los ajustes necesarios cuando cocina en climas fríos, cuando hay mucho viento y/o cuando hay una cantidad considerable de precipitaciones.

#### **Paso 1**

Nota: Consulte la cantidad de líquido para encender carbón recomendada por el fabricante antes de aplicar el líquido a las briquetas. Para agregar carbón a la parrilla, se pueden quitar las rejillas para cocinar o se puede retirar la bandeja de acceso lateral. Apile el carbón en el medio de la rejilla para carbón. Las briquetas deben estar apiladas muy juntas para que se quemen con la máxima eficiencia. Empape el carbón con la cantidad de líquido para encender carbón recomendada por el fabricante del líquido. Luego de empapar el carbón, coloque el líquido para encender carbón a una distancia segura del ahumador. Deje que el líquido penetre en el carbón durante 3 minutos antes de encender. Asegúrese de que la bandeja de acceso esté colocada contra la pared trasera de la cámara de combustión antes del encendido.

#### **Paso 2**

Con la tapa de la parrilla abierta, aléjese de la unidad, encienda cuidadosamente el carbón y deje que se quemé hasta que quede cubierto de ceniza encendida (aproximadamente 20 minutos). Antes de cerrar la tapa de la parrilla principal y la tapa del conjunto lateral, debe dejar que el líquido para encender carbón se haya quemado completamente. (Si las dos tapas se cierran, el humo tenderá a acumularse en ambas cámaras de combustión). Abra ambos reguladores laterales para que circule aire durante el procedimiento de encendido.

#### **Paso 3**

Después de 20 a 25 minutos, el carbón estará listo para asar. Utilice guantes termorresistentes o manoplas para horno al colocar nuevamente las rejillas para cocinar en la parrilla. Consulte la sección siguiente antes de agregar viruta de madera al carbón preencendido.

### Instrucciones de encendido para cocinar con el ahumador lateral

**NO UTILICE CARBÓN TRATADO PREVIAMENTE CON LÍQUIDO ENCENDEDOR cuando use este producto como parrilla ahumador.**

#### **Cómo curar la parrilla**

Utilizando la cantidad de carbón recomendada (que figura debajo), haga funcionar la parrilla durante 30 a 45 minutos como mínimo. Utilice solo carbón grueso o briquetas estándar sin tratamiento y utilice SOLO líquido aprobado para encender carbón. No utilice líquido combustible, solventes para pintura, gasolina, kerosene, alcohol ni otros materiales inflamables para encender el carbón. **Si se utiliza carbón con líquido encendedor, se podrían ocasionar daños en la unidad.**

## INSTRUCCIONES DE FUNCIONAMIENTO

---

### Instrucciones de encendido (continuación)

**Comience con al menos 2 lb (0,91 kg) de carbón (de 35 a 40 briquetas estándar).**

Realice los ajustes necesarios cuando cocina en climas fríos, cuando hay mucho viento y/o cuando hay una cantidad considerable de precipitaciones.

#### Paso 1

Nota: Consulte la cantidad de líquido para encender carbón recomendada por el fabricante antes de aplicar el líquido a las briquetas. Para agregar carbón a la cámara de combustión del conjunto lateral, se pueden quitar las rejillas para cocinar del conjunto lateral o se puede retirar la bandeja de acceso lateral. Apile el carbón en el medio de la rejilla para carbón del conjunto lateral. Las briquetas deben estar apiladas muy juntas para que se quemen con la máxima eficiencia. Empape el carbón con la cantidad de líquido para encender carbón recomendada por el fabricante del líquido. Luego de empapar el carbón, coloque el líquido para encender carbón a una distancia segura del ahumador. Deje que el líquido penetre en el carbón durante 3 minutos antes de encender. Asegúrese de que la bandeja de acceso esté colocada contra la pared trasera de la cámara de combustión antes del encendido.


#### Paso 2

Con **la tapa de la parrilla principal y la tapa del conjunto lateral abiertas**, aléjese de la unidad, encienda cuidadosamente el carbón y deje que se quemé hasta que quede cubierto de ceniza encendida (aproximadamente 20 minutos). Antes de cerrar la puerta de la cámara de combustión principal y la tapa del conjunto lateral, debe dejar que el líquido para encender carbón se haya quemado completamente. (Si las dos tapas se cierran, el humo tenderá a acumularse en ambas cámaras de combustión).

#### Paso 3

Después de 20 a 25 minutos, el carbón estará listo para cocinar y/o agregarle viruta de madera.

### CÓMO AGREGAR VIRUTA DE MADERA (ANTES Y DURANTE LA COCCIÓN)

 **ADVERTENCIA:** Tenga precaución para evitar que se genere una llamarada cuando el aire fresco entre en contacto con el fuego. Al abrir la tapa del conjunto lateral, mantenga las manos, el rostro y el cuerpo a una distancia prudente del vapor caliente y las llamas.

#### Viruta de madera previamente remojada

Remoje la cantidad de viruta de madera deseada en agua durante 30 minutos. Envuelva la viruta de madera en una hoja de aluminio y realice orificios en la parte superior del envoltorio. **SIGA LOS PASOS QUE FIGURAN EN LA PRÓXIMA PÁGINA ANTES DE AGREGAR VIRUTA DE MADERA PREVIAMENTE REMOJADA.**

## INSTRUCCIONES DE FUNCIONAMIENTO

---

### Viruta de madera seca

La viruta de madera seca se puede colocar directamente en el carbón preencendido, con o sin la hoja de aluminio. **SIGA LOS PASOS QUE FIGURAN A CONTINUACIÓN ANTES DE AGREGAR VIRUTA DE MADERA SECA.**

La cantidad y el tipo de madera utilizada dependen completamente de la intensidad de sabor que se desea lograr. Consulte el gráfico de la página siguiente para obtener consejos sobre cómo combinar la viruta de madera con distintos tipos de alimentos.

#### Paso 1

Aléjese de la unidad y abra cuidadosamente la tapa del conjunto lateral para dejar escapar el calor y el vapor. Tenga precaución para evitar que se genere una llamarada cuando el aire fresco entra en contacto con el fuego. Para agregar madera, se pueden quitar las rejillas para cocinar utilizando manoplas o guantes resistentes a las llamas O se puede utilizar la bandeja lateral extraíble.

#### Paso 2

Con manoplas o guantes resistentes a las llamas y utilizando una pinza de metal larga, aparte ligeramente las cenizas de las brasas. Utilice la pinza de metal larga para agregar viruta de madera (y/o carbón) directamente sobre el carbón. Tenga cuidado de no agitar las cenizas ni las chispas.

**⚠ ADVERTENCIA: Nunca agregue líquido para encender carbón a las brasas calientes, ni siquiera a las brasas templadas, porque el retroceso de la llama podría causar quemaduras graves.**

Permita que las cenizas se enfríen completamente antes de volver a utilizar o limpiar la parrilla o el ahumador.



## CONSEJOS PARA AHUMAR

El proceso para ahumar alimentos es distinto del proceso para asar alimentos. En general, el proceso para ahumar se realiza lentamente y a una temperatura más baja que el proceso para asar. El humo producido por la madera penetra en la carne dándole ese exquisito sabor ahumado. El proceso para asar es un proceso de cocción mucho más rápido que se realiza a temperaturas más altas.

- La viruta pequeña funciona mejor adentro de la bandeja para viruta.
- Utilice madera dura seca como nogal, pecán, manzano, cerezo o mezquite.
- Para producir más humo y evitar el quemado rápido, sumerja la viruta previamente en un recipiente con agua durante al menos 30 minutos y/o envuélvala en una hoja de aluminio perforada.
- La mayor parte del sabor ahumado se produce durante la primera hora de cocción. **En general, no es necesario agregar viruta de madera después de la primera hora, a menos que se desee lograr un sabor ahumado extra.**

A continuación, se muestra una lista de las maderas más utilizadas para ahumar y algunos datos sobre cada tipo.

Tipo de madera	Alimento sugerido	Comentarios
Manzano	Todas las carnes	Sabor suave y dulce con un leve toque de sabor frutal. Cada una de las especies de madera de manzano ofrecerá un sabor ligeramente diferente. El humo del manzano produce un atractivo efecto dorado.
Almendro	Todas las carnes	Produce un humo dulce con un sabor almendrado natural.
Fresno	Pescado y carnes rojas	Sabor muy suave.
Cítrico	Cerdo y pollo	La madera de limonero y naranjo produce un suave sabor frutal.
Cerezo	Cerdo y carne de vaca	Sabor suave y frutal.
Madera de frutal	Cerdo, aves de corral y pescado	Las maderas como las del duraznero, del peral y del ciruelo producen un suave y dulce humo con un toque de sabor frutal.
Parra	Aves de corral, carne de caza y cordero	La madera de parra produce mucho humo. Una pequeña cantidad dura mucho. Produce un sabor agrio con un toque de sabor frutal.
Nogal	Cerdo y carne de vaca	Se podría decir que el nogal es la madera favorita para ahumar. El nogal produce un sabor muy fuerte por lo que recomendamos comenzar lentamente con esta madera.
Arce	Cerdo y aves de corral	Suave y dulce.
Mezquite	Carne de vaca, pollo y pescado	Tenga cuidado porque esta madera alcanza mucha temperatura. Al igual que el nogal, el mezquite es muy utilizado y produce un sabor fuerte.
Roble	Carnes rojas, carne de caza, costillas y pescado	Otra madera que produce un humo pesado. Comience lentamente con esta madera.
Pecán	Costillas y carnes rojas	Produce un humo leve que ofrece un sabor dulce a nueces.

## TEMPERATURAS SUGERIDAS PARA AHUMAR Y PARA LA CARNE

### Temperaturas para ahumar

Una temperatura precisa para ahumar es fundamental para cocinar los alimentos de forma segura cuando no se dispone de una sonda térmica para carne. Tenga en cuenta que el indicador de temperatura instalado de fábrica es una herramienta aceptable para ahumar alimentos, pero no siempre es el medio ideal para medir la temperatura más precisa para ahumar, ya que las temperaturas internas del ahumador pueden variar entre las rejillas para cocinar superior e inferior. También tenga en cuenta que las sondas térmicas que se utilizan en la mayoría de los indicadores están diseñadas para medir la temperatura en la punta de la sonda y no la temperatura total del ahumador.

Como alternativa, se recomienda que los usuarios adquieran, como accesorio, un indicador de temperatura listo para horno o un termómetro para carne. Los termómetros para carne son la manera más eficaz de determinar cuándo los alimentos están cocidos a la temperatura mínima requerida para el consumo seguro. Consulte el siguiente cuadro para conocer las temperaturas de cocción.

### TEMPERATURAS SUGERIDAS PARA AHUMAR

	Temperaturas sugeridas para ahumar	Temperaturas mínimas seguras para los alimentos		Temperaturas sugeridas para ahumar	Temperaturas mínimas seguras para los alimentos
<b>Carne, aves de corral, pescado</b>			<b>Carne de caza</b>		
<b>Carne de vaca, ternera y cordero (piezas y cortes enteros)</b>			<b>Chuletas, filetes y asado (ciervo, alce, alce americano, caribú/reno, antílope y antilocapra)</b>		
Jugosa	225 °F (107,2 °C)	145 °F (63 °C)	Bien cocida	225 °F (107,2 °C)	170 °F (77 °C)
A punto	225 °F (107,2 °C)	160 °F (71 °C)	<b>Caza mayor</b>		
Bien cocida	225 °F (107,2 °C)	170 °F (77 °C)	Oso, bisonte, buey almizclero, morsa, etc.	250 °F - 300 °F (121 °C - 149 °C)	165 °F (74 °C)
<b>Cerdo (jamón, lomo, costillas)</b>			<b>Caza menor</b>		
Cerdo (piezas y cortes enteros)	225 °F - 240 °F (107,2 °C - 115,6 °C)	160 °F (71 °C)	Conejo, rata almizclera, castor, etc.	225 °F - 240 °F (107,2 °C - 115,6 °C)	165 °F (74 °C)
<b>Carne picada y mezcla de carnes (hamburguesas, salchichas, albóndigas, pastel de carne, guisos y carne de vaca tiernizada mecánicamente)</b>			<b>Carne picada</b>		
Carne de vaca, ternera (incluida la carne tiernizada mecánicamente), cordero y cerdo	250 °F - 300 °F (121 °C - 149 °C)	160 °F (71 °C)	Carne picada y mezclas de carnes	250 °F - 300 °F (121 °C - 149 °C)	165 °F (74 °C)
Aves de corral (pollo y pavo)	250 °F - 300 °F	165 °F (74 °C)	Carne de venado picada y salchicha	250 °F - 300 °F (121 °C - 149 °C)	165 °F (74 °C)
<b>Aves de corral (pollo, pavo, pato)</b>			<b>Aves de caza/aves acuáticas (pavo salvaje, pato, ganso, perdiz y faisán)</b>		
Piezas	250 °F (121 °C)	165 °F (74 °C)	Entero	250 °F (121 °C)	180 °F (82 °C)
Entero	240 °F (115,6 °C)	185 °F (85 °C)	Pechugas y asado	250 °F (121 °C)	165 °F (74 °C)
<b>Pescado y mariscos</b>			Muslos, alas	250 °F (121 °C)	165 °F (74 °C)
Pescado	225 °F - 240 °F (107,2 °C - 115,6 °C)	158 °F (70 °C)	Relleno (cocinado solo o en el ave)	250 °F (121 °C)	165 °F (74 °C)
Mariscos (camarón, langosta, cangrejo, vieiras, almejas, mejillones y ostras)	225 °F - 240 °F (107,2 °C - 115,6 °C)	165 °F (74 °C)			
<b>Dado que es difícil utilizar un termómetro de alimentos para verificar la temperatura de los mariscos, deseche los mariscos que no se abren durante la cocción.</b>					

## CUIDADO Y MANTENIMIENTO

---

### SEGURIDAD Y MANTENIMIENTO DESPUÉS DEL USO

#### **ADVERTENCIA**

- Tenga precaución al levantar y mover la unidad para evitar lesiones por esfuerzo.
- **NO** guarde la unidad cerca de gasolina u otros líquidos combustibles o donde podría haber vapores combustibles. Asegúrese de que no haya materiales ni vapores combustibles en el área donde se encuentra el artefacto.
- **NO** guarde este artefacto en un área a la que podrían acceder niños o mascotas. Guarde el artefacto en un lugar seco y protegido.
- **NO** deje que nadie realice actividades cerca del artefacto después de haberlo utilizado sin que se haya enfriado. Se calienta durante el uso y permanece caliente por un tiempo después del uso.
- **NO** deje desatendidas las cenizas calientes hasta que el artefacto se enfríe completamente.
- La parrilla y la estructura del ahumador lateral se calientan mucho; deje que el artefacto se enfríe completamente antes de manipularlo. Deje que la parrilla y la estructura del ahumador lateral se enfríen antes de extraer y limpiar la grasera.
- Deseche las cenizas **frías** envolviéndolas en una hoja de aluminio resistente y colocándolas en un contenedor no combustible.
- Si debe desechar las cenizas antes de que estén completamente frías, quite las cenizas utilizando guantes termorresistentes y una pala para cenizas Dyna Glo (si la unidad está equipada con una), pinza de metal o pala para hogar. Coloque las cenizas en una hoja de aluminio. Moje las cenizas por completo con agua antes de desecharlas en un contenedor no combustible.

#### **PRECAUCIÓN: Todos los procedimientos de cuidado y mantenimiento se realizarán con la unidad completamente fría. Al mantenimiento siempre lo debe realizar un técnico calificado.**

Limpie las rejillas para cocinar con agua caliente y jabonosa. Enjuague y seque bien. Si lo desea, puede cubrir las rejillas para cocinar con una pequeña capa de aceite comestible líquido o en aerosol.

Para limpiar el interior y el exterior de la unidad, utilice solo un paño húmedo. No es recomendable realizar un lavado por aspersión con manguera. Se debe secar la humedad y asegurarse de que el interior y la parte superior de la unidad no queden húmedos. Luego de la limpieza, si lo desea, puede cubrir el interior de la cámara de combustión con una capa fina de aceite comestible líquido o en aerosol.

Si hay óxido en la superficie exterior de la unidad, limpie el área con lana de acero o tela de esmeril y utilice una pintura sólida resistente al calor.

**NUNCA** aplique pintura adicional en el interior de la unidad. Si hay óxido en el interior de la unidad, límpielo bien con una estopa metálica o tela de esmeril y cubra el área con una capa fina de aceite comestible líquido o en aerosol para minimizar la posibilidad de que se vuelva a oxidar.

Para proteger la unidad de las condiciones climáticas, manténgala siempre cubierta cuando no esté en uso.

## **GARANTÍA**

---

Esta unidad está garantizada contra piezas rotas o dañadas en el momento de la compra. Todas las piezas tienen una garantía limitada por un (1) año. La pintura tiene una garantía contra defectos por 90 días, a excepción del óxido, que podría aparecer después de varios usos.

Esta garantía no cubre los daños o problemas relacionados con negligencia, uso indebido o modificaciones realizadas al artefacto. El trabajo de reparación no está cubierto.

Todas las piezas que cumplan con los requisitos de la garantía serán enviadas sin cargo a través de un medio seleccionado por GHP Group Inc. (envíos terrestres, correo de EE. UU. o servicio de encomiendas ÚNICAMENTE). Los cargos de entrega especial (es decir, entrega de segundo día, antes del mediodía, etc.) serán responsabilidad del consumidor.

Todos los reclamos bajo la garantía solo se aplican al comprador original y requieren una prueba de la compra que verifique la fecha de compra. No devuelva piezas a la dirección de GHP sin antes obtener el número de autorización de devolución emitido por nuestro servicio al cliente. Este servicio está disponible a través del número gratuito 1-877-447-4768, de lunes a viernes de 8:30 a 16:30 (hora central estándar).

Algunos estados no permiten la exclusión o limitación de daños incidentales o daños indirectos por el tiempo que dura una garantía implícita. Por lo tanto, es posible que las limitaciones o exclusiones mencionadas no se apliquen en su caso. Esta garantía otorga derechos legales específicos, y podría haber otros derechos aplicables según el estado.

GHP Group Inc.  
6440 W. Howard Street  
Niles, IL, EE. UU.  
60714-3302

Nombre del artículo: Resistente parrilla a carbón y ahumador lateral  
N.º de modelo: DGSS287CB/DGSS287CB-D

## LISTA DE PIEZAS DE REPUESTO

Para obtener piezas de repuesto, llame a nuestro Departamento de Atención al Cliente al 1-877-447-4768, de lunes a viernes de 8:30 a 16:30 (hora central estándar), o escriba a [customerservice@ghpgroupinc.com](mailto:customerservice@ghpgroupinc.com).

PIEZA	DESCRIPCIÓN	N.º DE PIEZA
1	Manija de la tapa	70-01-584
2	Abrazadera de la tapa	70-01-528
3	Tapa (sin manija)	70-01-529
4	Rejilla para cocinar (1 pieza)	70-01-535
5	Manija lateral - Izquierda/derecha	70-01-563
6	Rejilla para carbón	70-01-536
7	Bandeja de acceso	70-01-533
8	Plato regulador - Bandeja y cámara de combustión (1 pieza)	70-01-593

PIEZA	DESCRIPCIÓN	N.º DE PIEZA
9	Manija de la bandeja de acceso	70-01-534
10	Conjunto de patas - Izquierda/derecha	70-01-564
11	Sección inferior de la cámara de combustión	70-01-532
12	Sección superior de la cámara de combustión (sin tapa)	70-01-557
13	Plato adaptador de la cámara de combustión	70-01-565
n/a	Paquete de herramientas y tornillería	70-09-516
n/a	Manual de instrucciones	70-10-587

