

# INSTALLATION INSTRUCTIONS

## Etre™ Pull-Down Kitchen Faucet Model D35404300

## Pull-Down Bar Faucet Model D35404410

Thank you for selecting DXV. To ensure that your installation proceeds smoothly, please read these instructions carefully before you begin.



# DXV

### RECOMMENDED TOOLS AND MATERIALS

Most of the procedures require the use of common tools and materials, which are available from hardware and plumbing, supply stores. It is essential that the tools and materials be on hand before work is begun.

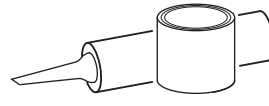


Channel Locks



Phillips Screwdriver

Flat Blade Screwdriver



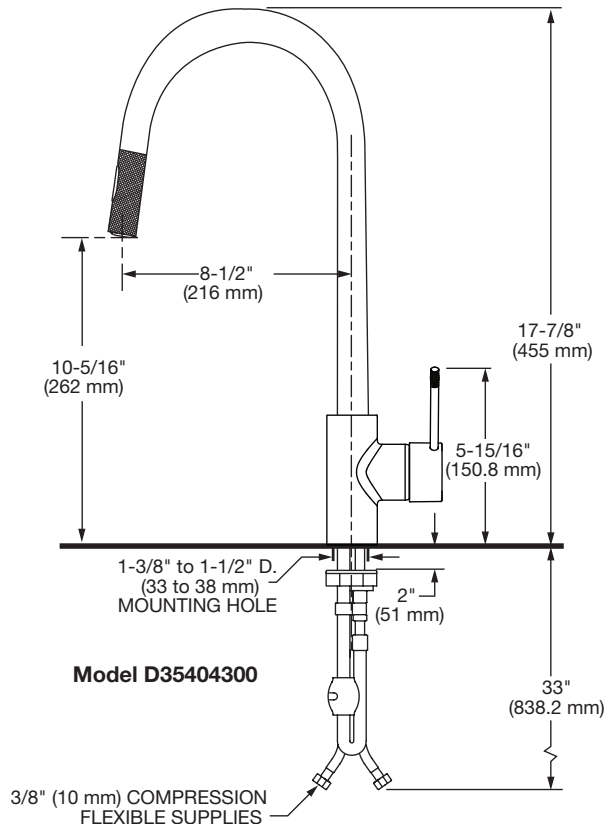
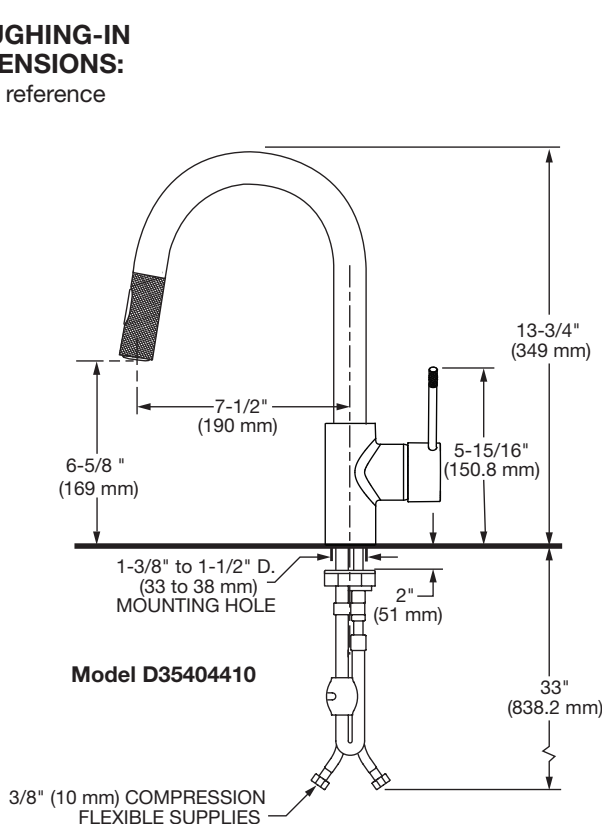
Plumbers' Putty or Caulking



Adjustable Wrench

### ROUGHING-IN DIMENSIONS:

- For reference



**In the United States:**  
DXV  
30 Knightsbridge Road, Suite 301  
Piscataway, New Jersey 08855  
Attention: Director of Customer Care

For residents of the United States, warranty information may also be obtained by calling the following toll free number: (800) 227-2734  
www.DXV.com

**In Canada:**  
DXV  
5900 Avebury Road  
Mississauga, Ontario  
L5R 3M3  
Canada

Toll Free: 1-800-387-0369  
Local: 905-306-1093  
Fax: 1-800-395-1498  
www.DXV.ca

**In Mexico:**  
DXV  
Via Morelos 330  
Col. Santa Clara Coatitla  
Ecatepec, Estado de México 55540

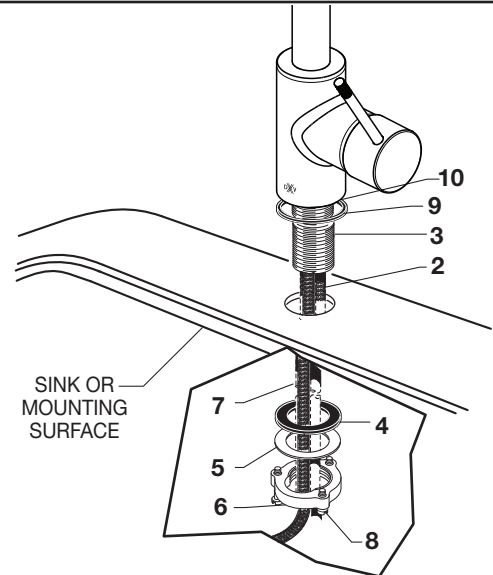
Toll Free: 01-800-8391200  
www.DXV.mx

SAVE FOR FUTURE USE

## 1 INSTALL FITTING

**CAUTION** Turn off hot and cold water supplies before beginning.

- Make certain the SEAL (9) is properly seated in recess of RING BASE (10). Insert supply HOSES (2), SPRAY HOSE (7) and SHANK (3) through mounting hole and seat RING BASE (10) onto sink or mounting surface. Do not use putty.
- Insert HOSES (2) and SPRAY HOSE (7) through RUBBER WASHER (4), BRASS WASHER (5), and threaded LOCKNUT (6).
- Assemble RUBBER WASHER (4), BRASS WASHER (5), and threaded LOCKNUT (6) onto SHANK (3) from underside of sink or mounting surface. Hand tighten LOCKNUT (6).
- Use a screwdriver to tighten SCREWS (8) on LOCKNUT (6). Work your way around LOCKNUT (6), tightening the screws slightly each time until all are snug to ensure even pressure.

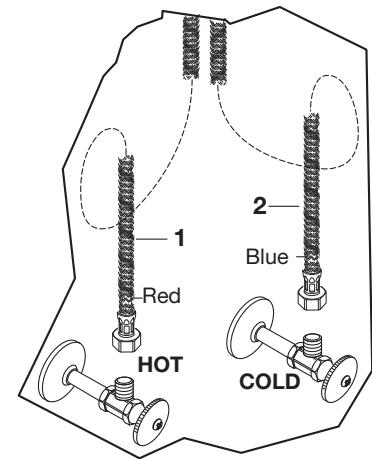


## 2 MAKE WATER SUPPLY CONNECTIONS

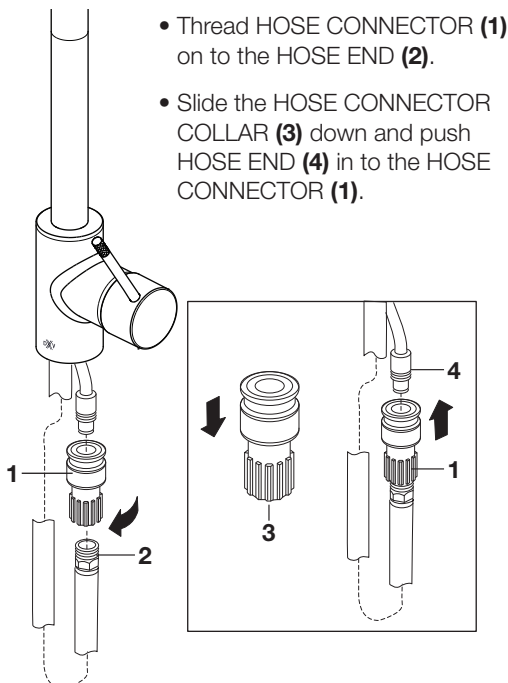
- Turn off hot and cold water supplies before beginning.
- Connect FLEXIBLE SUPPLIES (1, 2) directly to wall supplies. Connection on fitting supplies are 3/8" compression. Connect the supply hose with the red label to the Hot wall supply. Connect the supply hose with the blue label to the Cold wall supply. Use an adjustable wrench to tighten connections. Do not over tighten.
- Faucet supplies are 33" long from faucet base.

**Note:** If additional supply length is required, installer must purchase additional parts separately.

**Important:** If SUPPLY HOSES (1, 2) are too long, loop as illustrated to avoid kinking.

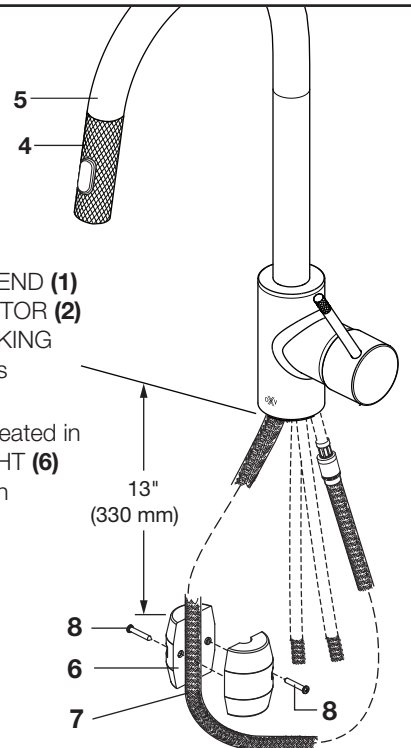


## 3 CONNECT HOSE SPRAY



- Thread HOSE CONNECTOR (1) on to the HOSE END (2).
- Slide the HOSE CONNECTOR COLLAR (3) down and push HOSE END (4) in to the HOSE CONNECTOR (1).

## 4 INSTALL WEIGHT



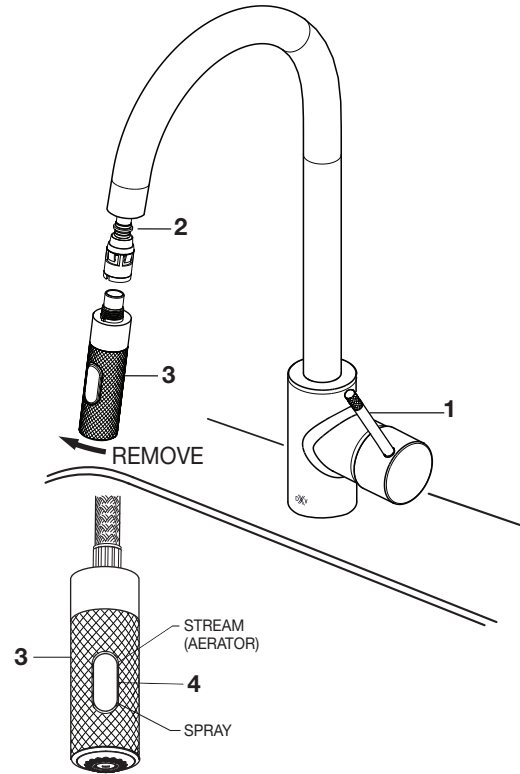
- Push the SPRAY HOSE END (1) into the HOSE CONNECTOR (2) and slide down the LOCKING COLLAR (3) until it snaps into place.
- With HAND SPRAY (4) seated in SPOUT (5), install WEIGHT (6) on HOSE (7), secure with SCREWS (8).

## 5 TEST INSTALLED FAUCET

- Move HANDLE (1) into “off” position.
- Turn on water supplies.
- With HANDLE (1) in “off” position, unthread SPRAY (3) from HOSE (2).
- Operate handle back to front, in COLD and HOT positions, to flush water lines thoroughly.
- Thread SPRAY HEAD (3) onto HOSE (2).

### SPRAY OPERATION

- With faucet on press TOGGLE BUTTON (4) on SPRAY (3) to switch from stream to spray.



## 6 SERVICE

**CAUTION** Turn off hot and cold water supplies before beginning.

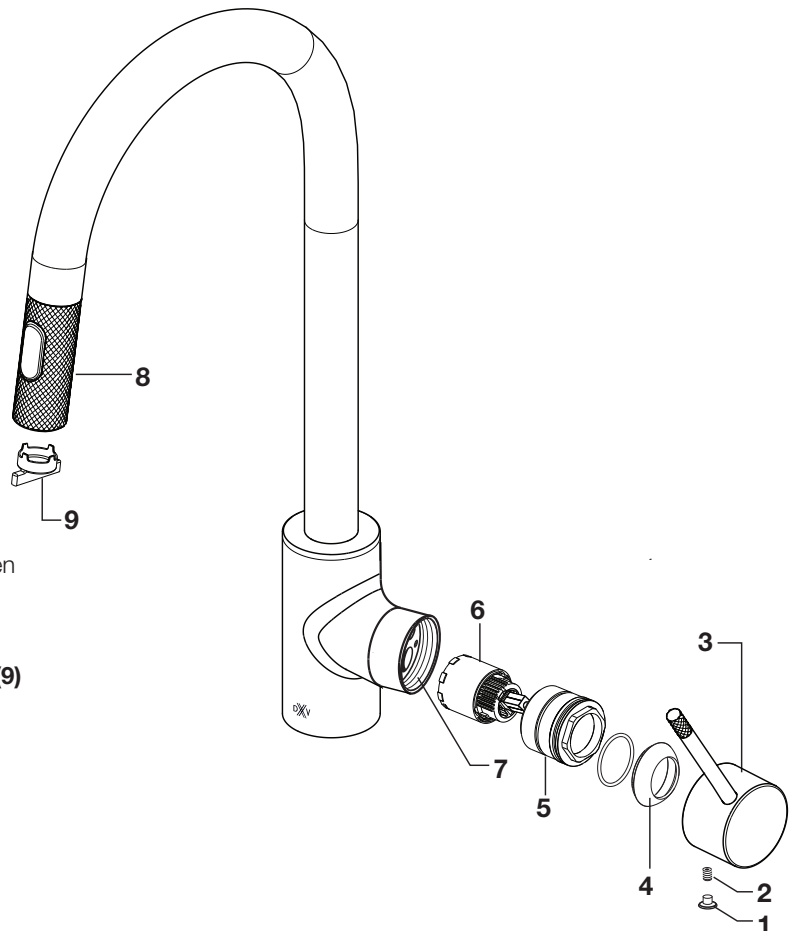
If faucet drips, operate HANDLE several times from “off” to “on.” Do not apply excessive force.

**Clogged CARTRIDGE outlets or inlets may cause reduced flow.**

- Remove INDEX BUTTON (1), loosen HANDLE SCREW (2) and remove HANDLE (3).
- Remove the HANDLE CAP (4). Unthread the NUT (5).
- Lift CARTRIDGE (6) off MANIFOLD (7).
- Clean MANIFOLD (7) and CARTRIDGE (6) ports.
- Place CARTRIDGE (6) onto MANIFOLD (7) and tighten NUT (5).
- Replace ESCUTCHEON CAP (4), HANDLE (3), tighten HANDLE SCREW (2) and install INDEX BUTTON (1).

**Clogged AERATOR may cause reduced flow:**

- Unthread the AERATOR (8) with the AERATOR KEY (9)
- Allow water to run through the faucet with no aerator to flush the hoses.
- Reinstall AERATOR (8) with the AERATOR KEY (9).



# DXV

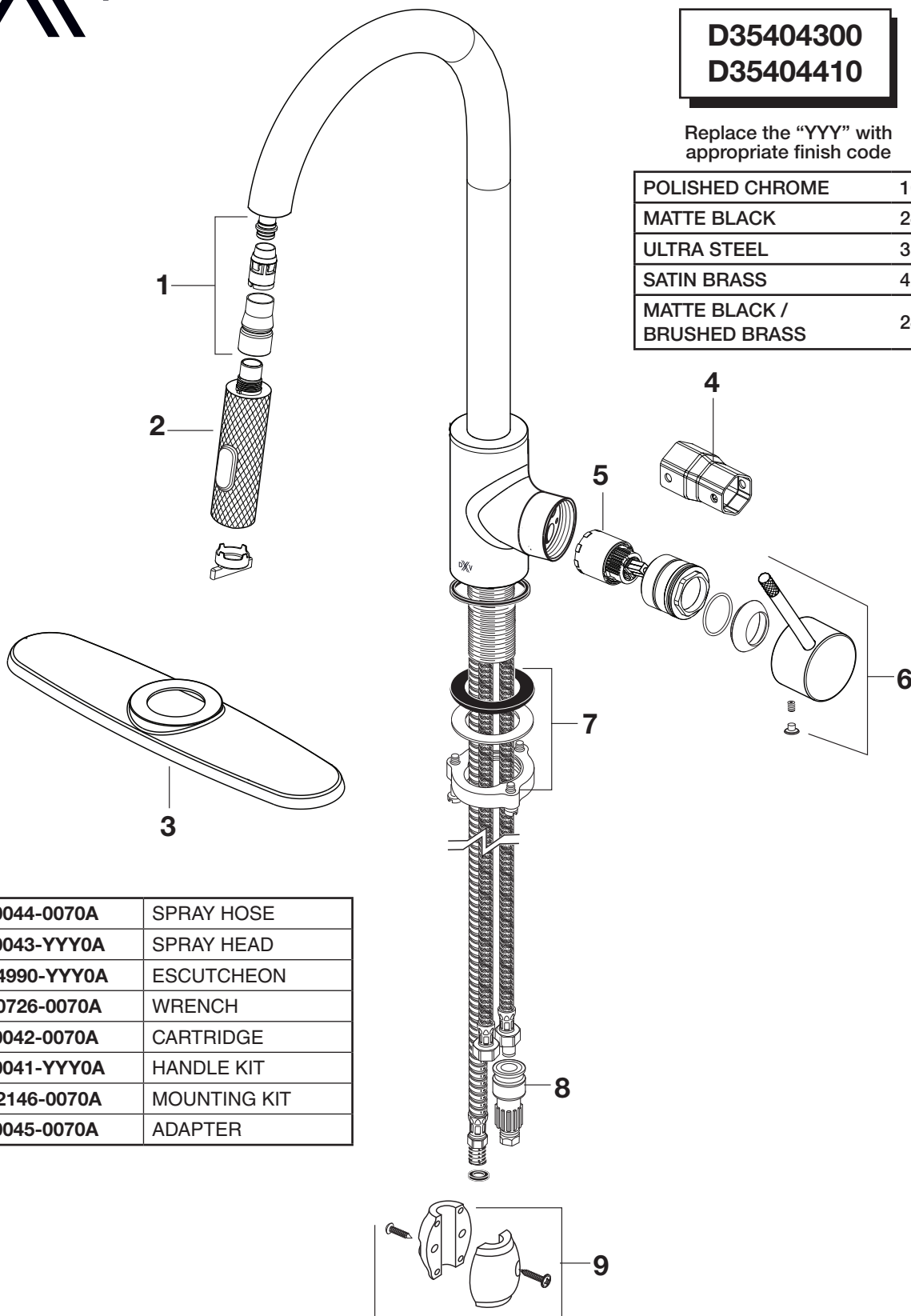
## Etre™ Pull-Down Kitchen Faucet Pull-Down Bar Faucet

MODEL NUMBER

**D35404300**  
**D35404410**

Replace the "YYY" with appropriate finish code

POLISHED CHROME	100
MATTE BLACK	243
ULTRA STEEL	355
SATIN BRASS	427
MATTE BLACK / BRUSHED BRASS	249



1	D970044-0070A	SPRAY HOSE
2	D970043-YYY0A	SPRAY HEAD
3	M964990-YYY0A	ESCUTCHEON
4	M970726-0070A	WRENCH
5	D970042-0070A	CARTRIDGE
6	D970041-YYY0A	HANDLE KIT
7	M962146-0070A	MOUNTING KIT
8	D970045-0070A	ADAPTER