

# INSTALLATION INSTRUCTIONS



## Etre™ Fine Fire Clay Kitchen Sinks

- 30" Sink model D21180SB3020
- 33" Sink model D21180SB3320
- 36" Sink model D21180SB3620
- 36" Sink model D21180DB3620

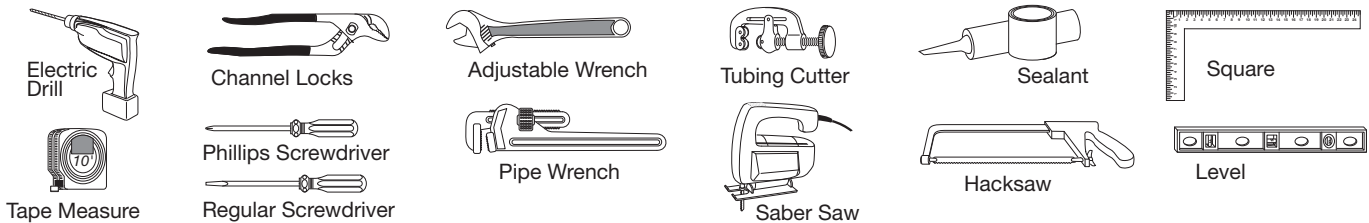
Thank you for selecting DXV. To ensure this product is installed properly, please read these instructions carefully before you begin. (Certain installations may require professional help.) Also be sure your installation conforms to local codes.

**⚠ CAUTION: PRODUCT IS FRAGILE. TO AVOID BREAKAGE AND POSSIBLE INJURY HANDLE WITH CARE!**

NOTE: Pictures may not exactly define contour of china and components.

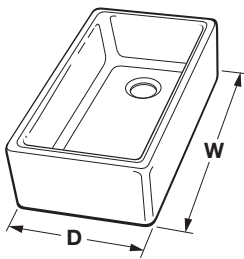
### RECOMMENDED TOOLS AND MATERIALS

Most of the procedures require the use of common tools and materials, which are available from hardware and plumbing supply stores. It is essential that the tools and materials be on hand before work is begun.



### SINK MODELS

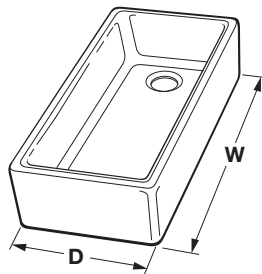
**30" Model  
D21180SB3020**



**D:** 19-3/4" to 20-1/4"  
(502 to 514 mm)

**W:** 29-1/2" to 29-15/16"  
(749 to 761 mm)

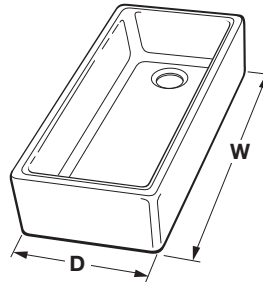
**33" Model  
D21180SB3320**



**D:** 19-3/4" to 20-1/4"  
(502 to 514 mm)

**W:** 32-1/2" to 33"  
(826 to 838 mm)

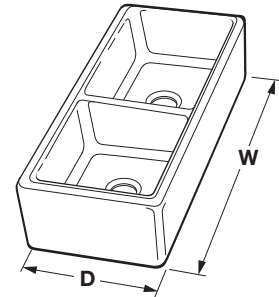
**36" Model  
D21180SB3620**



**D:** 19-3/4" to 20-1/4"  
(502 to 514 mm)

**W:** 35-1/2" to 36"  
(902 to 914 mm)

**36" Model  
D21180DB3520**



**D:** 19-3/4" to 20-1/4"  
(502 to 514 mm)

**W:** 35-1/2" to 36"  
(902 to 914 mm)

These sinks accommodate standard 3-1/2" (89 mm) sink outlet drain.

**In the United States:**

DXV  
30 Knightsbridge Road, Suite 301  
Piscataway, New Jersey 08855  
Attention: Director of Customer Care

For residents of the United States, warranty information may also be obtained by calling the following toll free number: (800) 227-2734  
www.DXV.com

**In Canada:**

DXV  
5900 Avebury Road  
Mississauga, Ontario  
L5R 3M3  
Canada

Toll Free: 1-800-387-0369  
Local: 905-306-1093  
Fax: 1-800-395-1498  
www.DXV.ca

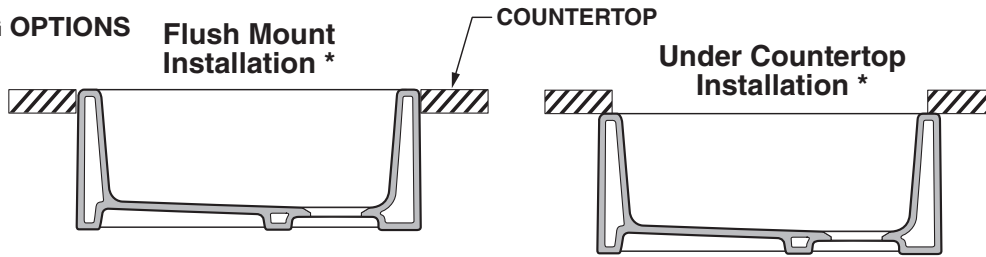
**In Mexico:**

DXV  
Via Morelos 330  
Col. Santa Clara Coatitla  
Ecatepec, Estado de México 55540

Toll Free: 01-800-8391200  
www.DXV.mx

SAVE FOR FUTURE USE

## MOUNTING OPTIONS



\* **NOTE:** Chinaware dimensions can vary. Please use the actual size of the sink that you will be installing in order to determine the cutout dimensions for your countertop.

## REPLACEMENT USE

When replacing an original unit be sure to shut off water supply before removing the lavatory or disconnecting water supply lines and drain fittings. Original supplies and shutoff valves should be replaced on installation.

## INSTALLATION PROCEDURES

Typical installation includes cabinet support preparation, installation of faucet and pop-up drain, connection of flexible water supply lines, attachment of sink to cabinet, sizing and installation of drain, supplies to house water system.

### Sink Mounting Provisions

Whether the sink is used for replacement or new installation, the cabinet area beneath the sink must be reinforced to provide sufficient support. The wood support frame for the sink must support 400 pounds (approximate weight of sink when full and a garbage disposal installed).

## CABINET SUPPORT PREPERATION

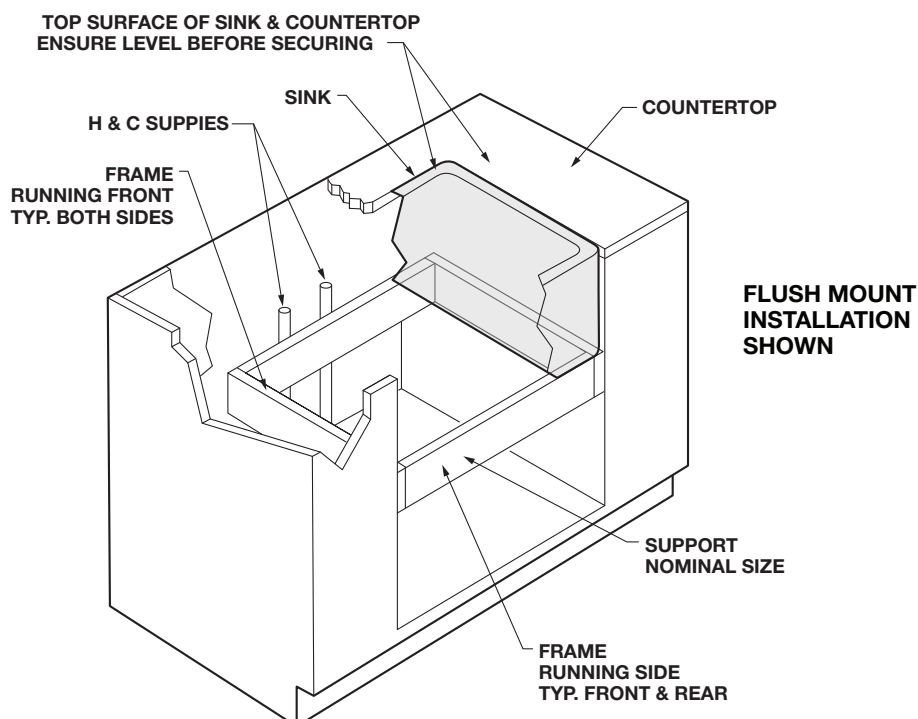
### Important Note:

This installation assumes the use of a custom cabinet and countertop design. It is not designed for use with standard base cabinets or standard countertops. Installation must be performed by a professional cabinet maker and shall be in accordance with all local plumbing and building codes requirements.

## FLUSH MOUNT or UNDER COUNTERTOP INSTALLATIONS

### 1 WALL PREPARATION:

Determine if the sink will be flush mounted or under countertop mounted. **Next measure the actual size of the sink being installed to determine cabinet opening dimensions and support frame location.** The cabinet opening should equal the maximum dimensions of the sink to ensure a minimum gap between the sink apron and the cabinet. Support frame location is determined by type of sink installation being performed.



## 2 SUPPORT FRAME

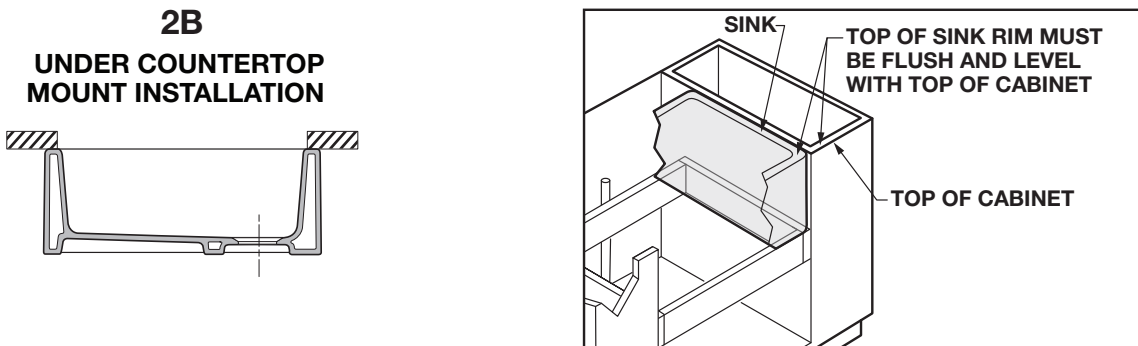
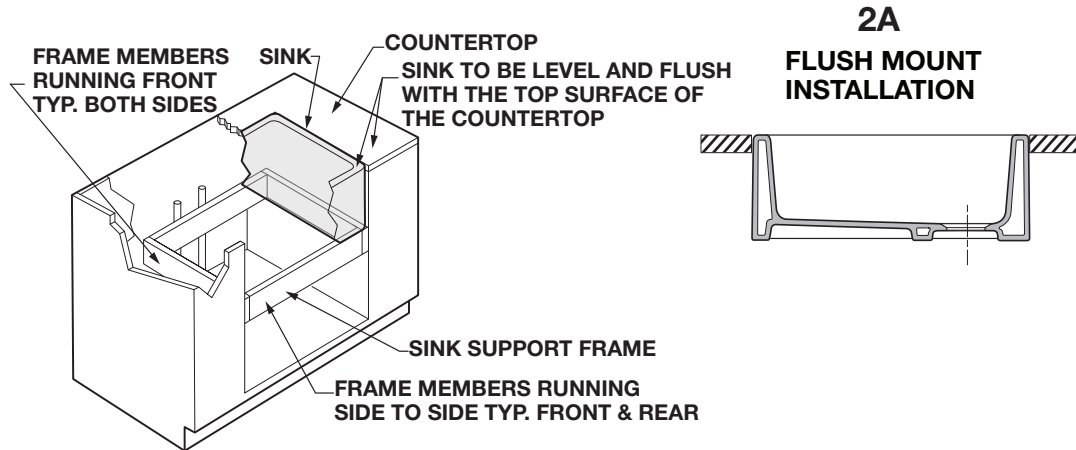
Construct a support frame to fit inside the cabinet opening. Ensure you provide proper clearance for faucet, water supply lines, drain assembly, garbage disposal mounting system and the structural parts of the cabinet.

### Flush Mount Installation Note:

Ensure to install the support frame so that the top rim of the sink, (when placed within the frame), will be level and flush with the top surface of the countertop, (when countertop is installed). See diagram 2A below.

### Under Countertop Mount Installation Note:

Ensure to install the support frame so that the top rim of the sink (when placed within the frame) is level and flush with top surface of the cabinet. (Top of sink rim must be flush and level with top of cabinet in order to obtain proper contact with the underside of the countertop). See diagram 2B below.

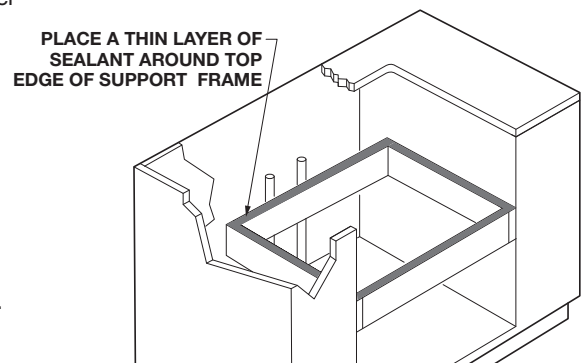


## 3 SINK INSTALLATION

**CAUTION:** Sinks are extremely heavy. For personal safety, always use extra personnel for installation.

**STEP 1.** Carefully set the sink within the support frame and position in center of cabinet opening. If flush mounted ensure that the sink top rim surface is level and flush with the countertop top surface, (when countertop is installed). If under countertop mounted ensure that the sink top rim is level and flush with cabinet top surface. Check clearance around sink apron and ensure sink is centered within cabinet opening. Ensure sink base is making proper contact with support frame. Adjust or shim as needed to obtain proper sink position and fit.

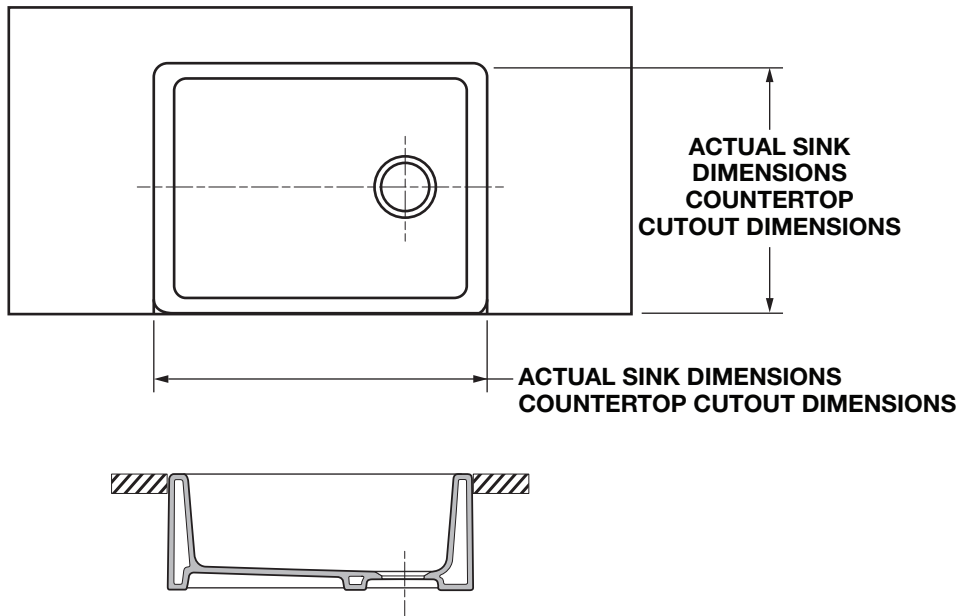
**STEP 2.** Carefully remove sink and place a thin layer of sealant around top edge of support frame where the sink and frame will make contact. Then replace sink back into position. See diagram below.



## 4A FLUSH MOUNT INSTALLATION

Using carpenter's square carefully measure and mark the location of the cutout opening in the countertop. Flush mount cutout opening is determined from the actual sink size. The cutout opening should equal the maximum dimensions of the sink to ensure a minimum gap between the sink and the countertop opening.

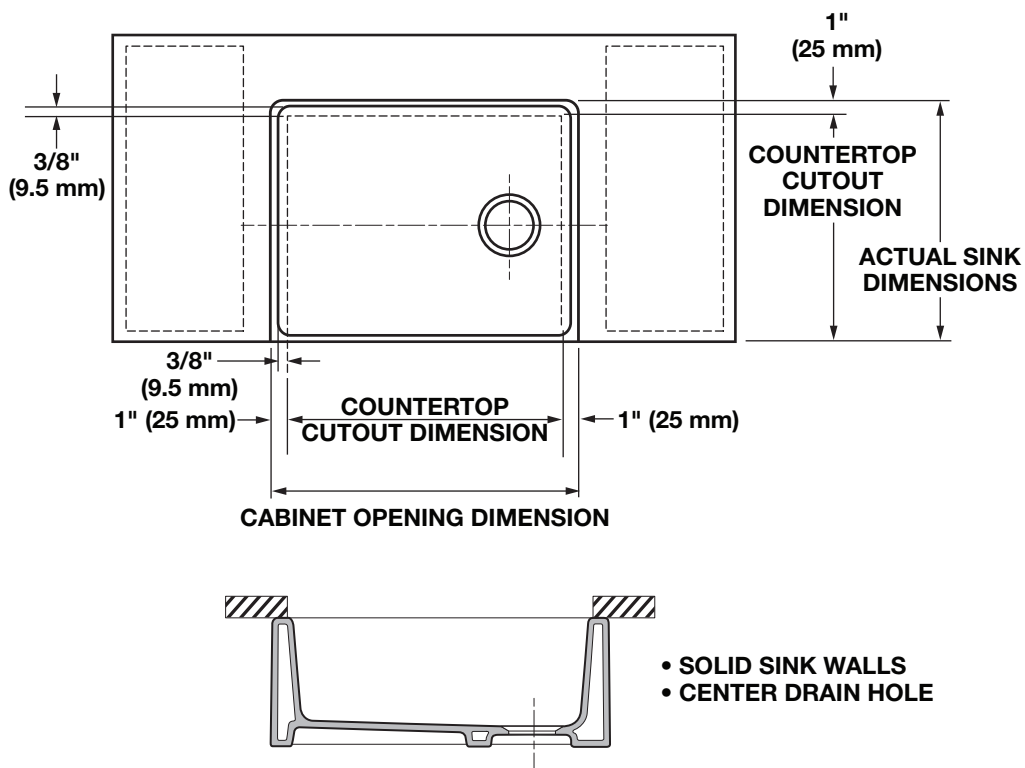
**Note: Check dimensions on first page as a reference and measure the sink being installed.**



## 4B UNDER COUNTERTOP INSTALLATION

Under countertop mount cutout opening is determined by cabinet opening and should be  $\frac{3}{8}$ " (9.5 mm) smaller than the inner sides of sink and from back of sink apron. Carefully cut out the countertop opening, opening must be adequately finished and sealed to prevent damage from water absorption.

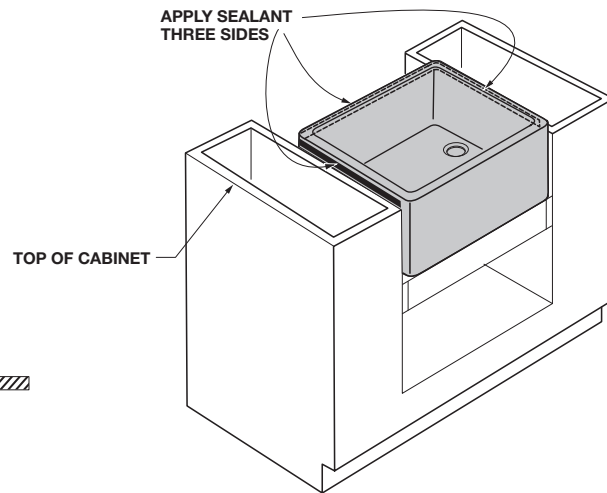
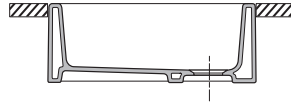
**Note: Check dimensions on first page as a reference and measure the sink being installed.**



## 5A APPLY SEALANT

### For Flush Mount Sinks:

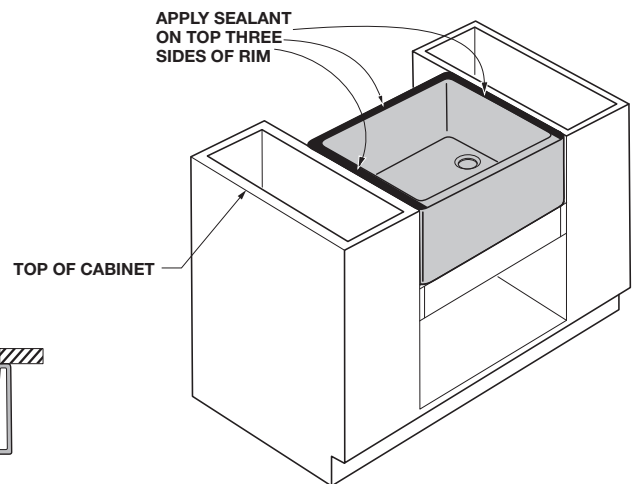
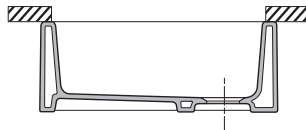
Carefully wipe clean the sink apron and top rim free from all debris. Ensure that the surface on underside of countertop and around the countertop cutout opening is smooth and free of debris. Flush mount installation requires a generous bead of sealant around the sink apron where sink and countertop will meet.



## 5B APPLY SEALANT

### For Under Countertop Sinks:

Carefully wipe clean the sink apron and top rim free from all debris. Ensure that the surface on underside of countertop cutout opening is smooth and free of debris. Under countertop installation requires a generous bead of sealant around the sink top rim where sink and countertop underside will make contact.



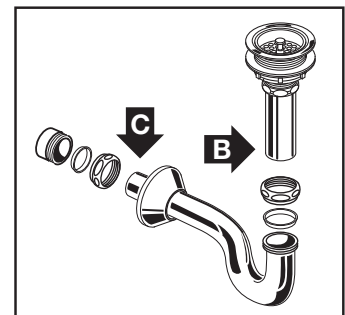
## 6 INSTALL COUNTERTOP

Carefully position and install the countertop. Ensure the sealant provides a complete seal between the sink and the countertop surface. Fill any voids and wipe excess away with soft damp cloth.

## 7 ASSEMBLE AND INSTALL P-TRAP AND DRAIN CONNECTIONS

Assemble and install P-trap drain connections in accordance with manufacturer's instructions. Connect trap to drain assembly hand tight to check alignment. It may be necessary to cut off part of the tailpiece (area "B") or part of the horizontal leg of the trap (area "C"). Secure joints for watertight assembly.

**NOTE: P-trap, drain connections and faucet are not included.**



## 8 INSTALL FAUCET

Carefully locate and install faucet to countertop in accordance with manufacturer's instructions. Ensure you provide adequate clearance for supply lines and faucet operation.

Connect supply lines to shutoff valves. Turn on water supply valves and water-test installation.