



# DXV MODULUS™

## 2-HANDLE THERMOSTATIC VALVE TRIM



- 1/8" Thin profile
- Forged brass escutcheon plate
- Brass handles
- Concealed mounting hardware
- Rough-in valve sold separately

### CODES AND STANDARDS

Meets or Exceeds ASME A112.18.1/CSA B125.1

- CEC and CALGreen® Compliant

### DESCRIPTION

2-Handle Thermostatic Valve Trim Kit

### PRODUCT NUMBER

D35120527.XXX

### REQUIRED VALVE OPTIONS

2-Handle Thermostatic Rough Valve with Volume Control	D35005511.191
2-Handle Thermostatic Rough Valve with 2-Way Diverter <i>(Discrete Functions)</i>	<input checked="" type="checkbox"/> D35005522.191
2-Handle Thermostatic Rough Valve with 2-Way Diverter <i>(Shared Functions)</i>	D35005522S.191
2-Handle Thermostatic Rough Valve with 3-Way Diverter <i>(Discrete Functions)</i>	<input checked="" type="checkbox"/> D35005523.191
2-Handle Thermostatic Rough Valve with 3-Way Diverter <i>(Shared Functions)</i>	D35005523S.191

### AVAILABLE FINISHES

Polished Chrome	100
Brushed Nickel	144
Platinum Nickel	150
Matte Black	243

### FINISH CODE

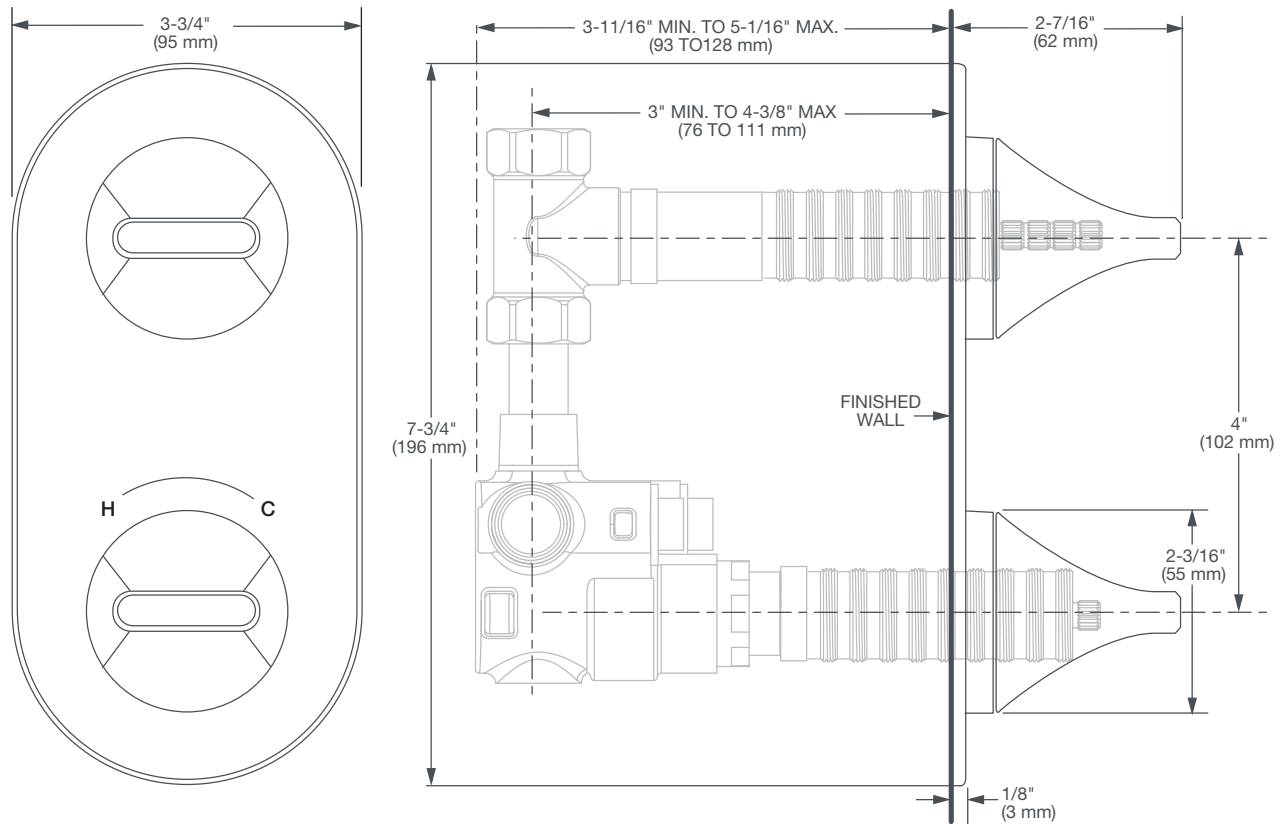
ROUGH-IN DIAGRAM  
SHOWN ON NEXT PAGE

CALGreen® is a registered trademark of California Building Standards Commission.



# DXV MODULUS™

## 2-HANDLE THERMOSTATIC VALVE TRIM



**IMPORTANT:** These measurements are subject to change or cancellation. No responsibility is assumed for use of superseded or voided pages.

PART OF LIXIL

©2017 AS America Inc.

4/18

www.d xv.com



# DXV MODULUS™

## PERSONAL SHOWER SET WITH HAND SHOWER



- 5 ft. (1.5 m) decorative metal hose
- Contemporary single function hand shower
- Wall elbow
- 24" adjustable slide bar with bracket and metal hose
- Maximum hand shower flow rate: 1.8 gpm (6.8 L/min)
- Includes double check valves

### CODES AND STANDARDS

Meets or Exceeds ASME A112.18.1/CSA B125.1

CEC and CALGreen® Compliant

### DESCRIPTION

Personal Shower Set  
with Hand Shower

### PRODUCT NUMBER

D35120780.XXX

### AVAILABLE FINISHES

Polished Chrome  
Brushed Nickel  
Platinum Nickel  
Matte Black

### FINISH CODE

100  
144  
150  
243

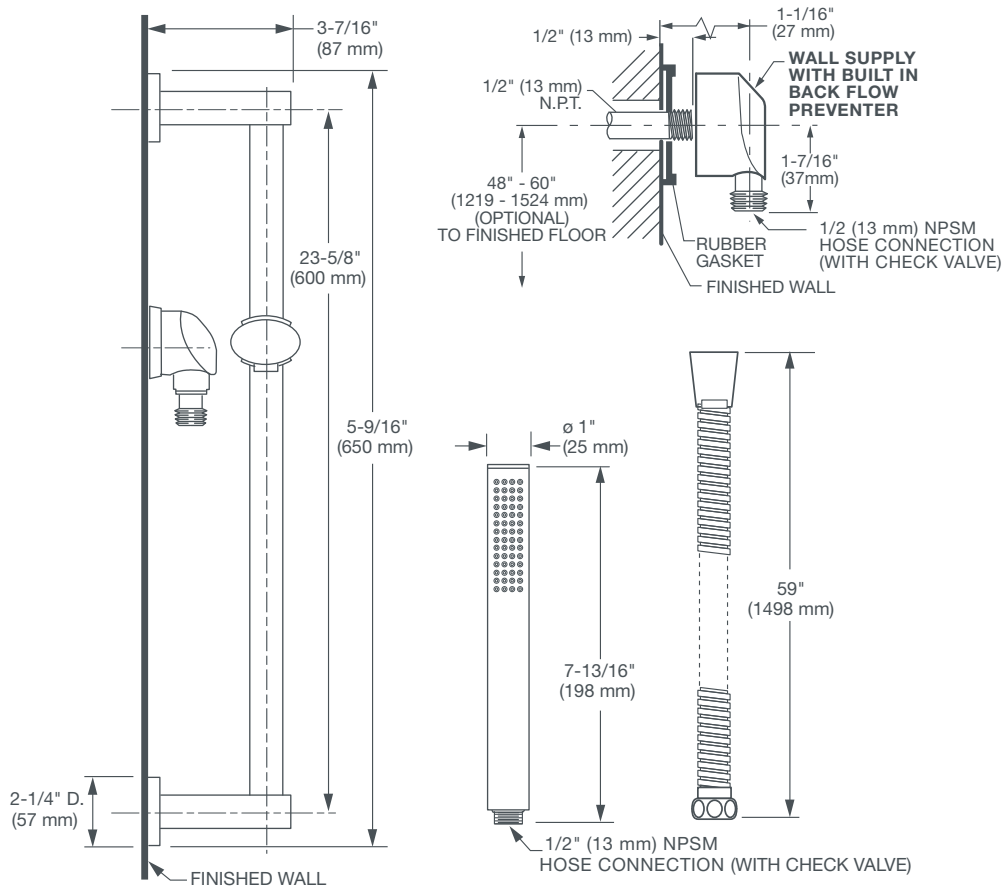
ROUGH-IN DIAGRAM  
SHOWN ON NEXT PAGE

CALGreen® is a registered trademark of California Building Standards Commission.



# DXV MODULUS™

## PERSONAL SHOWER SET WITH HAND SHOWER



**IMPORTANT:** These measurements are subject to change or cancellation.  
No responsibility is assumed for use of superseded or voided pages.

PART OF LIXIL



# DXV MODULUS™

## WALL TUB SPOUT



- Sleek, modern design with fluid and balanced proportions
- Features a decorative base ring with a two tone finish in either Polished Chrome or Brushed Nickel, depending on the Faucet finish selected
- Cast brass
- Includes 1/2 NPA adapter for 1/2 or 3/4 installations

### CODES AND STANDARDS

Meets or Exceeds ASME A112.18.1/CSA B125.1

#### AVAILABLE FINISHES

Polished Chrome  
Brushed Nickel  
Platinum Nickel  
Matte Black

#### FINISH CODE

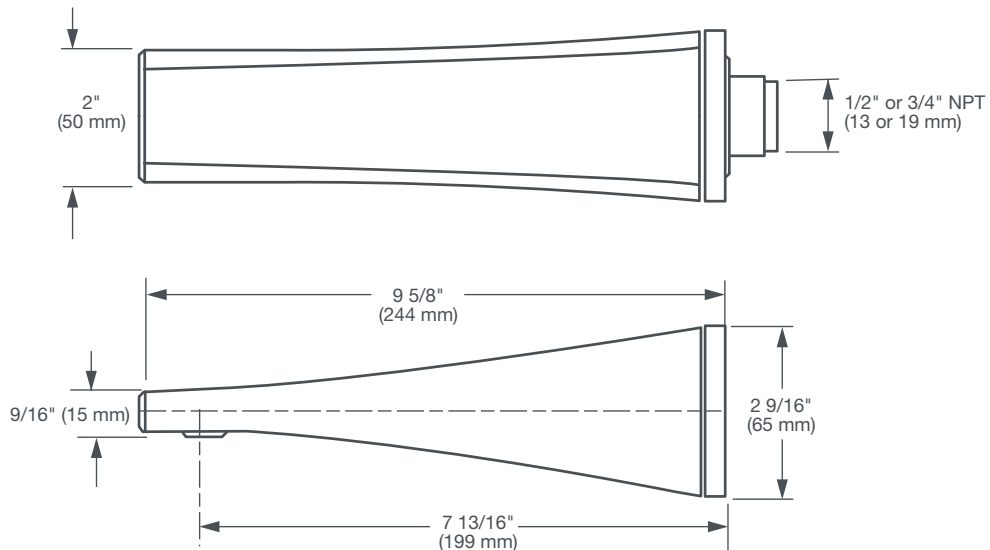
100  
144  
150  
243

#### DESCRIPTION

Wall Tub Spout

#### PRODUCT NUMBER

D35120760.XXX



**IMPORTANT:** These measurements are subject to change or cancellation. No responsibility is assumed for use of superseded or voided pages.

PART OF LIXIL