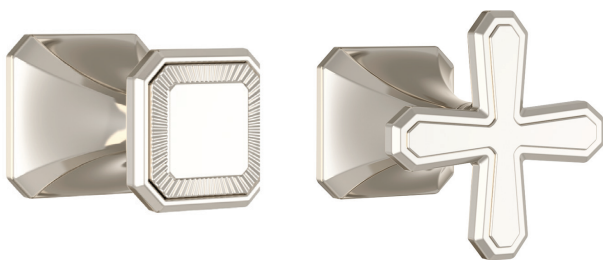




DXV BELSHIRE™

2-HANDLE THERMOSTATIC VALVE TRIM



- 1/8" Thin profile
- Forged brass escutcheon plate
- Metal handles
- Concealed mounting hardware
- Rough-in valve sold separately

CODES AND STANDARDS

Meets or Exceeds ASME A112.18.1/CSA B125.1

DESCRIPTION

- 2-Handle Thermostatic Valve Trim Kit with Lever Handles (ADA)
- 2-Handle Thermostatic Valve Trim Kit with Cross Handles
- 2-Handle Thermostatic Valve Trim Kit with Cushion Handles

PRODUCT NUMBER

- D35170527.XXX
- D35170528.XXX
- D35170529.XXX

REQUIRED VALVE OPTIONS

- 2-Handle Thermostatic Rough Valve with Volume Control D35005511.191
- 2-Handle Thermostatic Rough Valve with 2-Way Diverter (Discrete Functions) D35005522.191
- 2-Handle Thermostatic Rough Valve with 2-Way Diverter (Shared Functions) D35005522S.191
- 2-Handle Thermostatic Rough Valve with 3-Way Diverter (Discrete Functions) D35005523.191
- 2-Handle Thermostatic Rough Valve with 3-Way Diverter (Shared Functions) D35005523S.191

AVAILABLE FINISHES

- Polished Chrome
- Brushed Nickel
- Platinum Nickel
- Satin Brass

FINISH CODE

- 100
- 144
- 150
- 427



Polished Chrome



Brushed Nickel

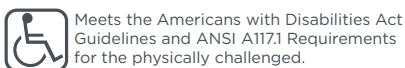


Platinum Nickel



Satin Brass

ROUGH-IN DIAGRAM SHOWN ON NEXT PAGE

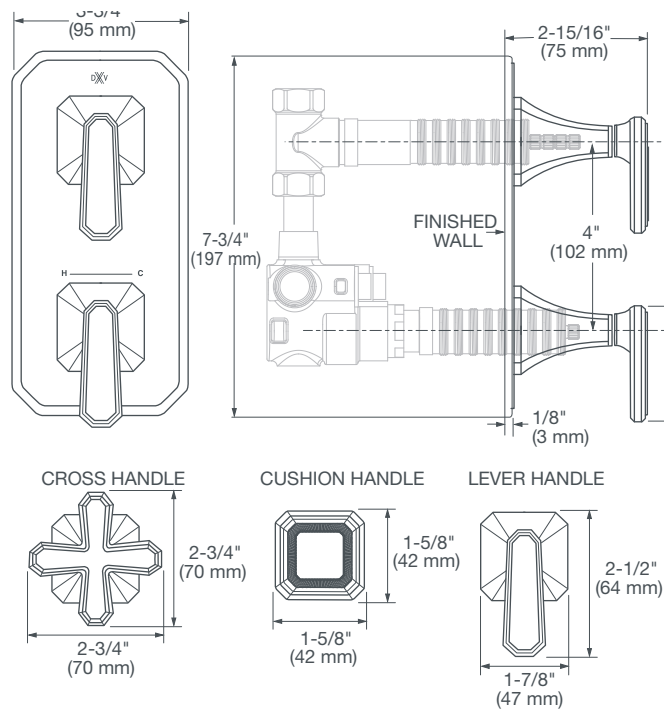


Meets the Americans with Disabilities Act Guidelines and ANSI A117.1 Requirements for the physically challenged.



DXV BELSHIRE™

2-HANDLE THERMOSTATIC VALVE TRIM



IMPORTANT: These measurements are subject to change or cancellation. No responsibility is assumed for use of superseded or voided pages.

PART OF **LIXIL**

SUPER SLIM

2-HANDLE THERMOSTATIC ROUGH WITH 2-WAY DIVERTER



- Ceramic disc valve cartridge
- Forged brass valve body with built-in check stops
- 2-Way Diverter options include discrete or shared functions
- 1/2" Wax thermostatic unit permits shuttle valve to move between the hot and cold seats to maintain the preselected constant water temperature
- 1/2" NPT Inlets/Outlets
- Includes Adjustable Hot Limit Safety Stop
- Maximum temperature limit is 120°F

CODES AND STANDARDS

Meets or Exceeds ASME A112.18.1/CSA B125.1/ASSE 1016

DESCRIPTION

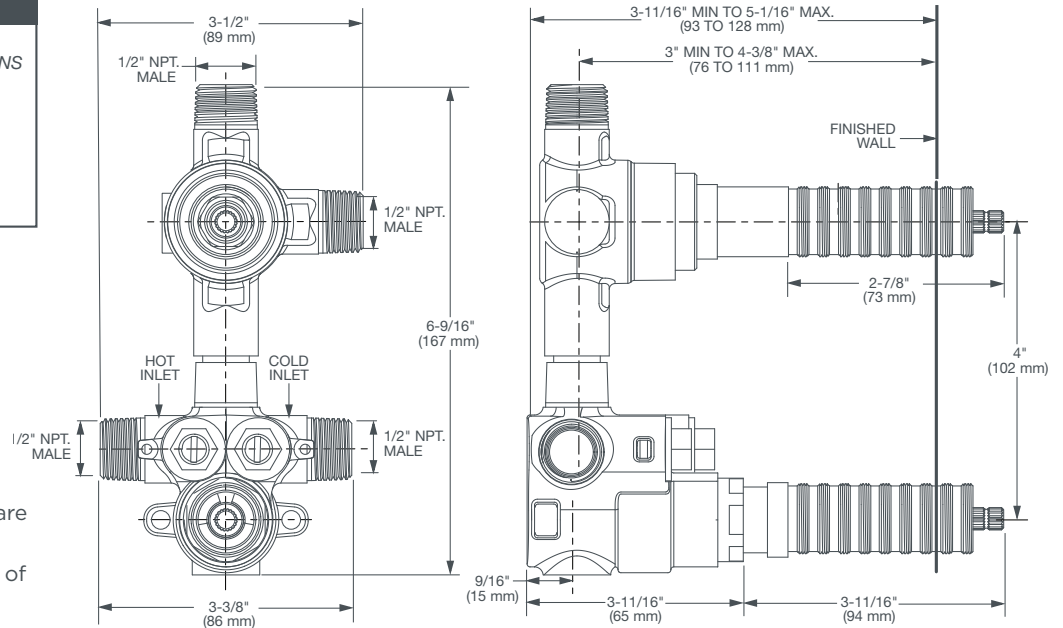
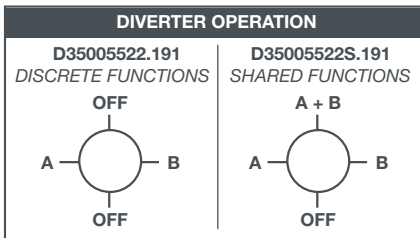
2-Handle Thermostatic Rough Valve with 2-Way Diverter (Discrete Functions)

PRODUCT NUMBER

D35005522.191

2-Handle Thermostatic Rough Valve with 2-Way Diverter (Shared Functions)

D35005522S.191



IMPORTANT: These measurements are subject to change or cancellation. No responsibility is assumed for use of superseded or voided pages.

CEC and CALGreen Compliant

PART OF **LIXIL**



DXV BELSHIRE™

6" SHOWERHEAD



- Faceted showerhead design reflects the aesthetic of the 1920's Golden Era
- Includes shower arm
- Brass construction
- Showerhead can pivot
- 1/2" NPT
- Maximum flow rate: 1.8 gpm (6.8 L/min)

CODES AND STANDARDS

Meets or Exceeds ASME A112.18.1/CSA B125.1

CEC and CALGreen® Compliant

EPA WaterSense® Certified

DESCRIPTION

6" Showerhead

PRODUCT NUMBER

D35170106.XXX

AVAILABLE FINISHES

Polished Chrome
 Brushed Nickel
 Platinum Nickel
 Satin Brass

FINISH CODE

100
 144
 150
 427



Polished
Chrome



Brushed
Nickel



Platinum
Nickel



Satin
Brass

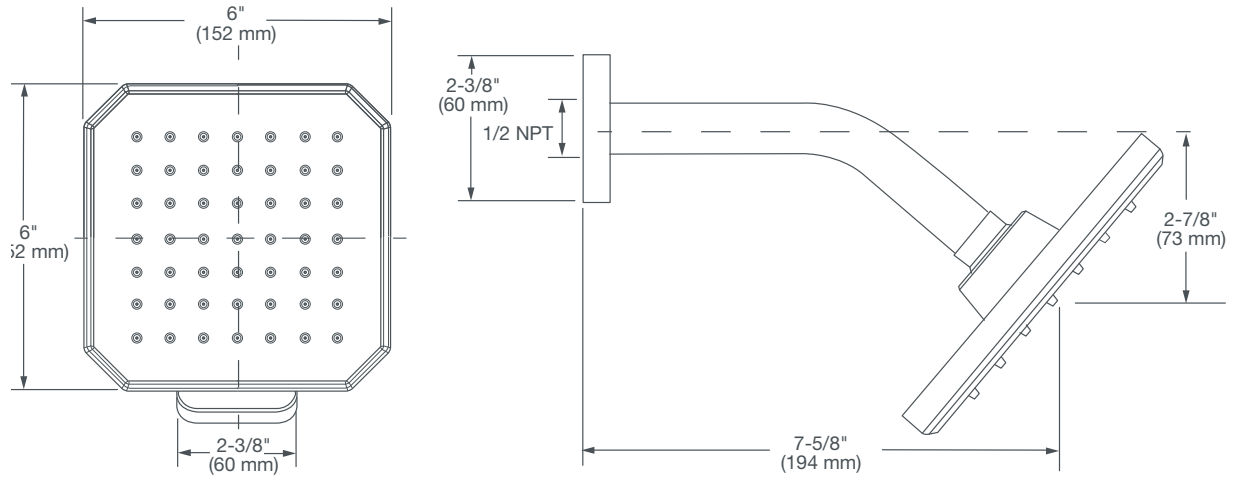
ROUGH-IN DIAGRAM
 SHOWN ON NEXT PAGE

CALGreen® is a registered trademark of California Building Standards Commission.



DXV BELSHIRE™

6" SHOWERHEAD



IMPORTANT: These measurements are subject to change or cancellation. No responsibility is assumed for use of superseded or voided pages.

PART OF **LIXIL**



DXV BELSHIRE™

PERSONAL HAND SHOWER WITH ADJUSTABLE WALL MOUNTED BAR



- 5 ft. (1.5 m) decorative metal hose
- Includes single function hand shower
- Wall elbow
- 30" adjustable slide bar with bracket, includes metal hose
- Maximum hand shower flow rate: 1.8 gpm (6.8 L/min)
- Includes double check valves

CODES AND STANDARDS

Meets or Exceeds ASME A112.18.1/CSA B125.1

CEC and CALGreen® Compliant

DESCRIPTION

Personal Hand Shower
with Adjustable Wall
Mounted Bar

PRODUCT NUMBER

D35170780.XXX

AVAILABLE FINISHES

Polished Chrome
Brushed Nickel
Platinum Nickel
Satin Brass

FINISH CODE

100
144
150
427



Polished
Chrome



Brushed
Nickel



Platinum
Nickel



Satin
Brass

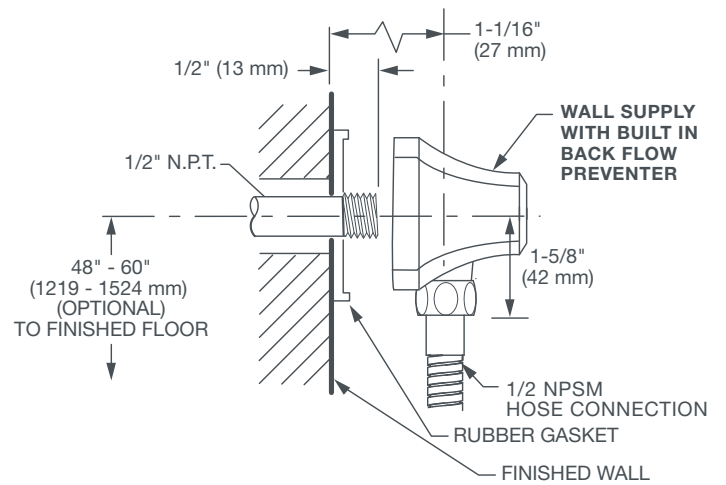
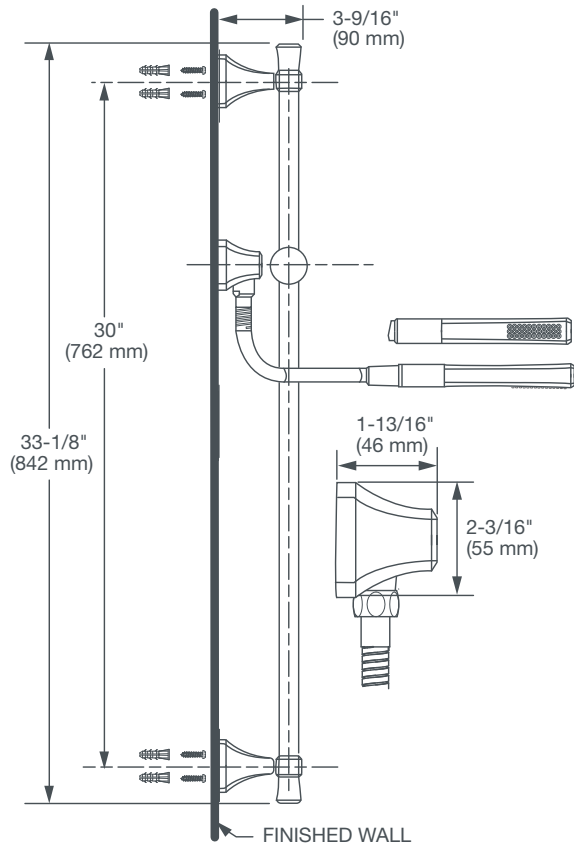
ROUGH-IN DIAGRAM
SHOWN ON NEXT PAGE

CALGreen® is a registered trademark of California Building Standards Commission.



DXV BELSHIRE™

PERSONAL SHOWER SET WITH HAND SHOWER



IMPORTANT: These measurements are subject to change or cancellation. No responsibility is assumed for use of superseded or voided pages.

PART OF **LIXIL**