



LYNDON[®]

TWO-PIECE RIGHT HEIGHT[®] ELONGATED TOILET



D2210AA109.415 - Left-Hand Trip Lever

D2210AA108.415 - Right-Hand Trip Lever

FEATURES

- Elongated bowl contemporary design
- Made of vitreous china
- 12" (305 mm) rough-in
- Siphon action jetted bowl with smooth-sided, concealed trapway
- High efficiency, low consumption 1.28 gpf/4.8 Lpf
- EverClean[®] surface inhibits the growth of stain- and odor-causing bacteria, mold, and mildew on the surface
- PowerWash[®] rim scrubs bowl with each flush
- 16-1/2" (419 mm) rim height
- Fully-glazed 2-1/8" trapway
- 3" Flush valve
- Durable, slow-close telescoping seat made from polypropylene plastic
- Color-matched bolt hole covers

DIMENSIONS

NOMINAL DIMENSIONS

30-3/16" x 15-1/8" x 31-9/16" (767 x 384 x 802 mm)

WATER SPOT

7-7/8" (200 mm) wide

9-1/4" (235 mm) length

5-1/2" (140 mm) distance to rim

COLORS/FINISHES

Canvas White (415)

COMPONENTS

- | | |
|--------------------------|--|
| 5025A15G.415 | Contemporary Toilet Seat
Elongated, Slow-Close, Topmount,
Easy Lift Off, Telescoping |
| D24434A108.415 | Right-hand tank, 1.0/1.28 gpf rough-in
complete with coupling components and
tank trim. |
| D24434A109.415 | Left-hand tank, 1.0/1.28 gpf rough-in
complete with coupling components and
tank trim. |
| D23226A000.415 | Right Height Elongated Bowl |
| 735221-400.415 | Tank Cover |
| 7381891-200-XXX0A | Plated Trip Lever — Right-Hand
Satin Nickel (295), Polished Nickel (008) |
| 7381887-200-XXX0A | Plated Trip Lever — Left-Hand
(optional component)
Satin Nickel (295), Polished Nickel (008) |

COMPLIANCE CERTIFICATIONS

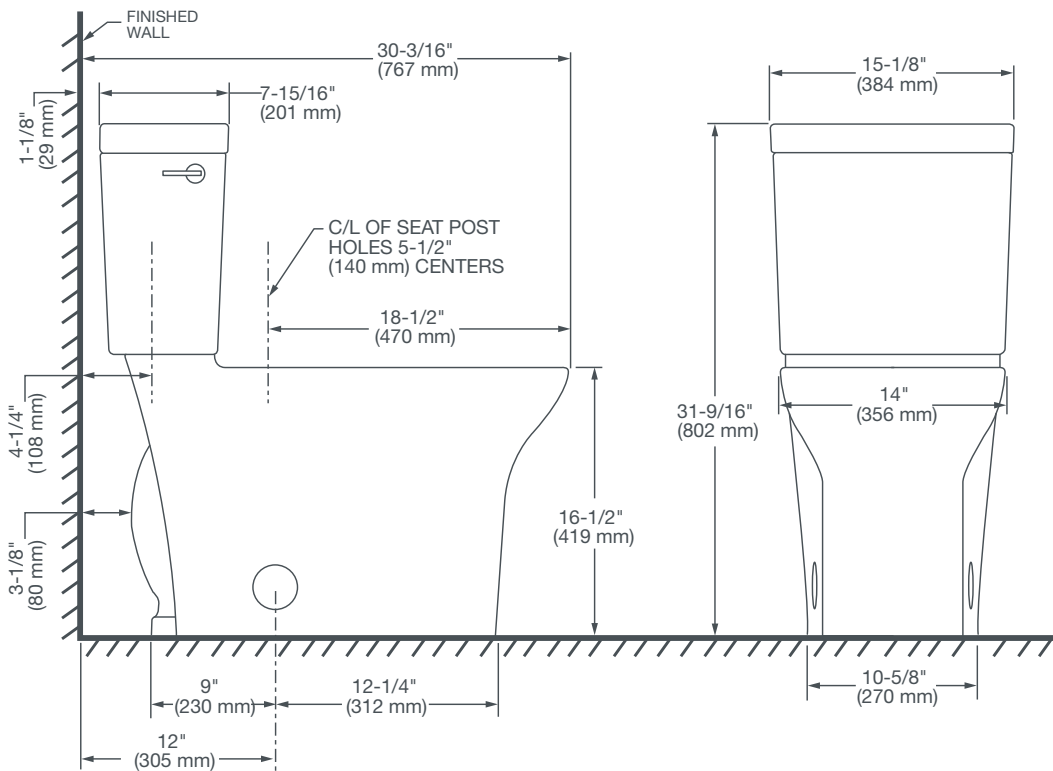
Meets or Exceeds ASME A112.19.2-2008/CSA B45.1-08

ROUGH IN DIAGRAM SHOWN
ON NEXT PAGE



LYNDON[®]

TWO-PIECE RIGHT HEIGHT[®] ELONGATED TOILET



NOTES:

This toilet is designed to rough-in at a minimum dimension of 12" (305 mm) from finished wall to C/L of outlet.

Supply not included with fixture and must be ordered separately.

* Dimensions shown for location of supply is suggested.

IMPORTANT:

Dimensions of fixtures are nominal and may vary within the range of tolerance established by ANSI Standard A112.19.2.

These measurements are subject to change or cancellation. No responsibility is assumed for use of superseded or voided pages.

PART OF LIXIL