

# FITZGERALD®

## 24" PEDESTAL LAVATORY



### FEATURES

- Fine fire clay
- Faucet ledge with integral soap recess
- Recessed overflow

### DIMENSIONS

#### NOMINAL DIMENSIONS

24" x 18" x 36" (609 x 457 x 915 mm)  
Pedestal back open 13-1/2" up from floor

#### BOWL INSIDE DIMENSIONS

17-11/16" (449 mm) wide  
9-5/8" (244 mm) front to back  
6-1/8" (155 mm) depth

### COLORS/FINISHES

Canvas White (415), Biscuit (071)

### SEPARATE COMPONENTS

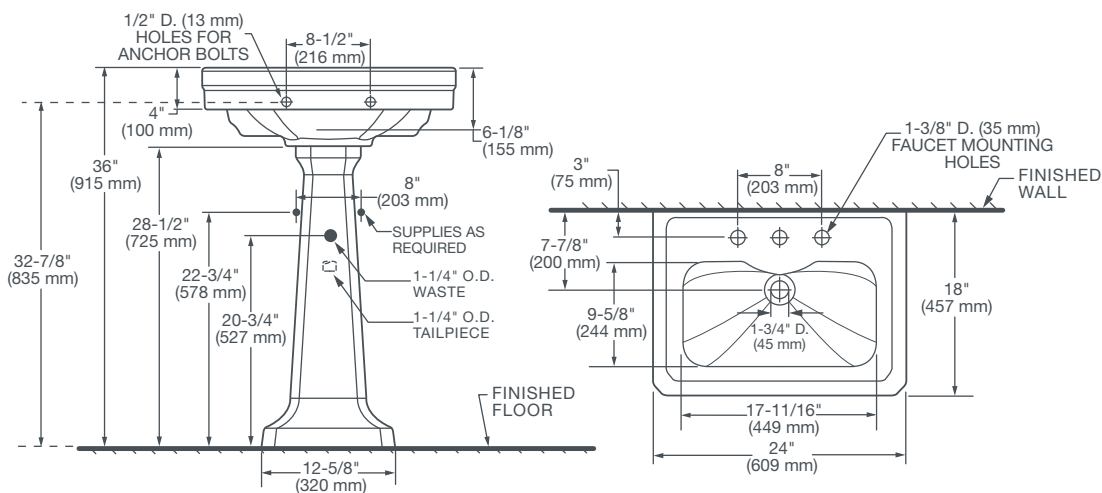
D20030001.XXX 24" Single-Hole Lavatory

D20030008.XXX 24" Three-Hole Lavatory

D21015000.XXX Pedestal Base Only

### COMPLIANCE CERTIFICATIONS

Meets or Exceeds ASME A112.19.2-2008/CSA B45.1-8



### NOTES:

Dimension shown for location of supplies and "P" trap are suggested. Provide suitable reinforcement for all wall supports. Pedestal anchoring screws not included  
Fittings not included with fixture and must be ordered separately.  
Installation Instructions supplied with lavatory and console legs.

### IMPORTANT:

Dimensions of fixtures are nominal and may vary within the range of tolerance established by ANSI standards. These measurements are subject to change or cancellation. No responsibility is assumed for use of superseded or voided pages.