

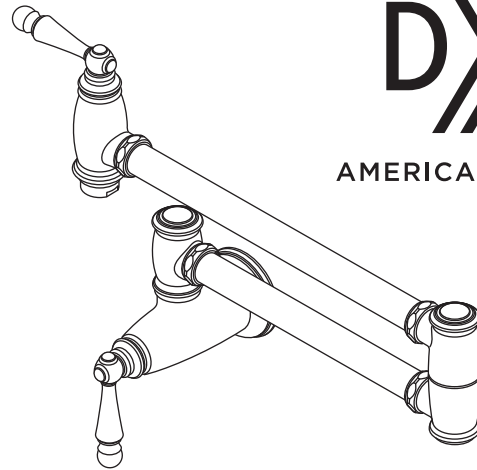
# INSTALLATION INSTRUCTIONS

## Traditional Pot Filler Model D35402.900

Thank you for selecting DXV by American Standard.  
To ensure that your installation proceeds smoothly,  
please read these instructions carefully  
before you begin.



AMERICAN STANDARD



### RECOMMENDED TOOLS AND MATERIALS

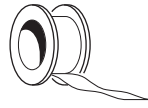
Most of the procedures require the use of common tools and materials, which are available from hardware and plumbing, supply stores. It is essential that the tools and materials be on hand before work is begun.



3/8" Hex Wrench



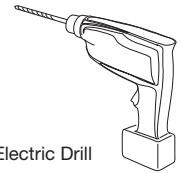
Adjustable Wrench



Teflon Tape



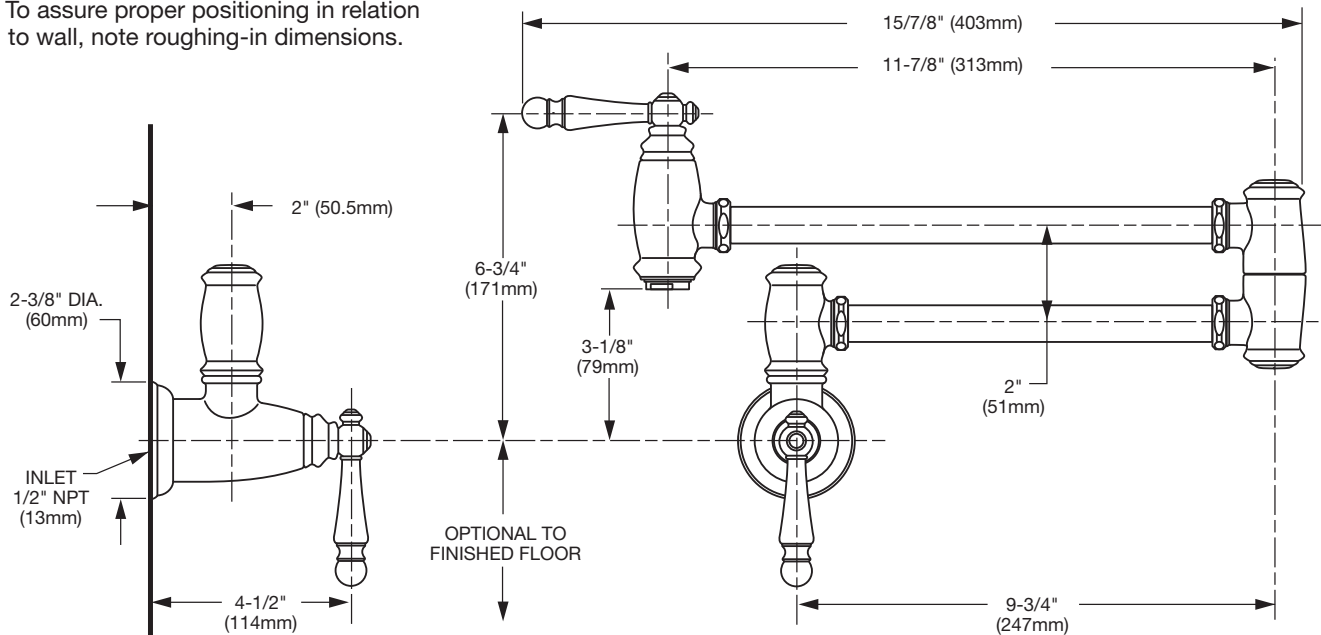
Phillips Screwdriver



Electric Drill

### ROUGHING-IN DIMENSIONS:

- For reference
- To assure proper positioning in relation to wall, note roughing-in dimensions.



#### In the United States:

DXV by American Standard  
One Centennial Avenue  
Piscataway, New Jersey 08855  
Attention: Director of Customer Care

For residents of the United States, warranty information may also be obtained by calling the following toll free number: (800) 227-2734  
[www.DXV.com](http://www.DXV.com)

#### In Canada:

DXV by American Standard  
5900 Avebury Road  
Mississauga, Ontario  
L5R 3M3  
Canada

Toll Free: 1-800-387-0369  
Local: 905-306-1093  
Fax: 1-800-395-1498  
[www.DXV.ca](http://www.DXV.ca)

#### In Mexico:

DXV by American Standard  
Via Morelos 330  
Col. Santa Clara Coatitla  
Ecatepec, Estado de México 55540

Toll Free: 01-800-8391200  
[www.DXV.mx](http://www.DXV.mx)

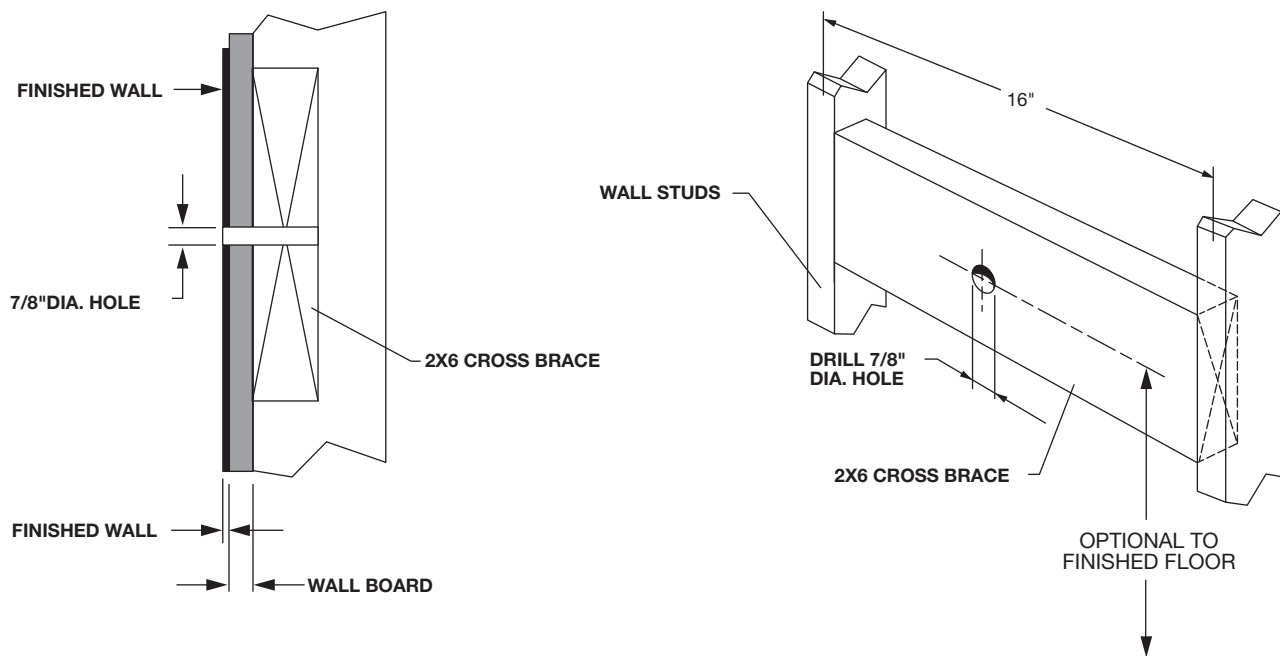
SAVE FOR FUTURE USE

## 1 ROUGHING-IN

### CAUTION

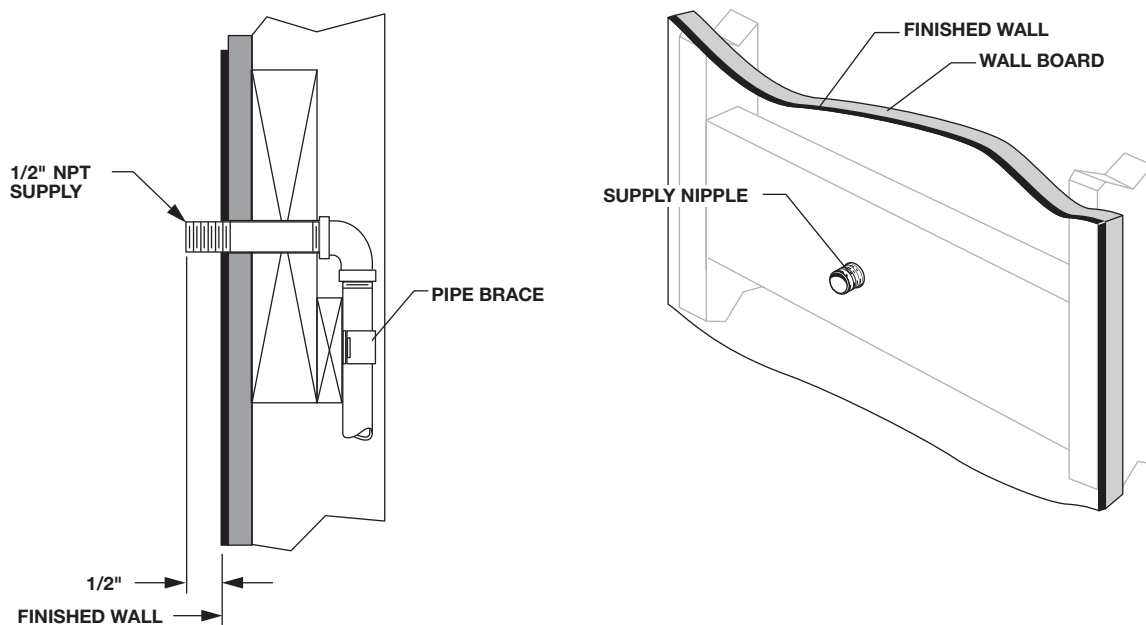
Turn off hot and cold water supplies before beginning.

- Install a 2x6 **Cross Brace** within the wall between the **Wall Studs**.
- Determine the supply height from the finished floor and drill a 7/8 inch dia. hole at that location.



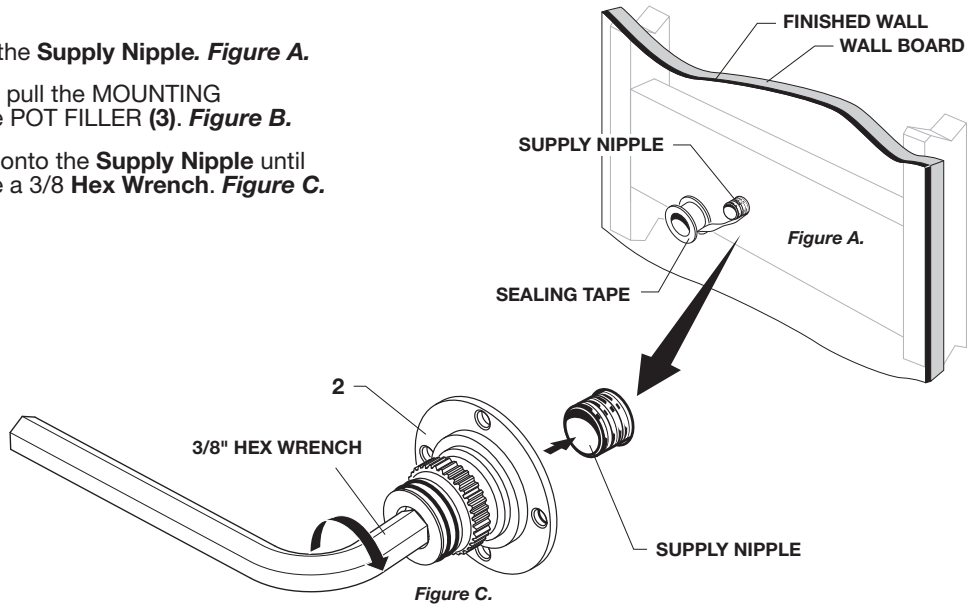
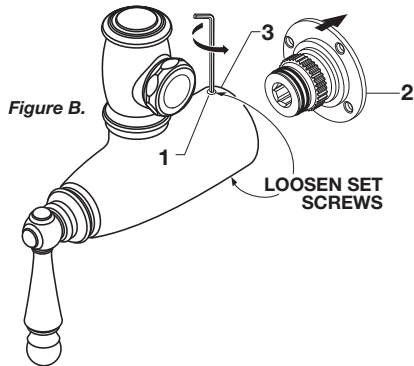
## 2 INSTALL COLD WATER SUPPLY

- Install the 1/2" NPT cold water supply. Secure supply pipe to the **Cross Brace**.  
**Important: The supply pipe must extend 1/2" from the face of the finished wall.**
- Finish installing the wall board and the finished wall.



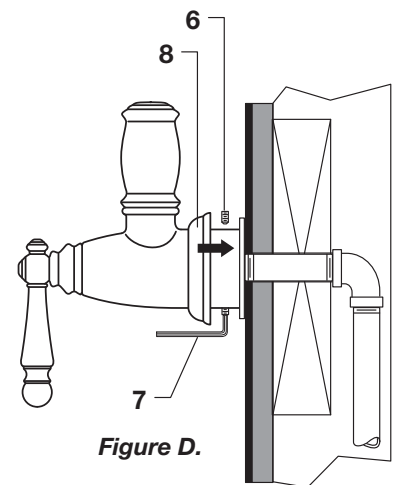
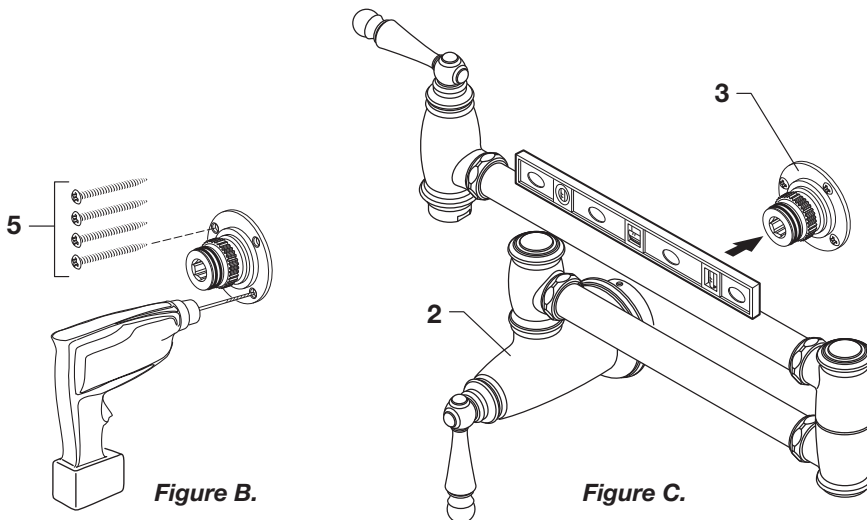
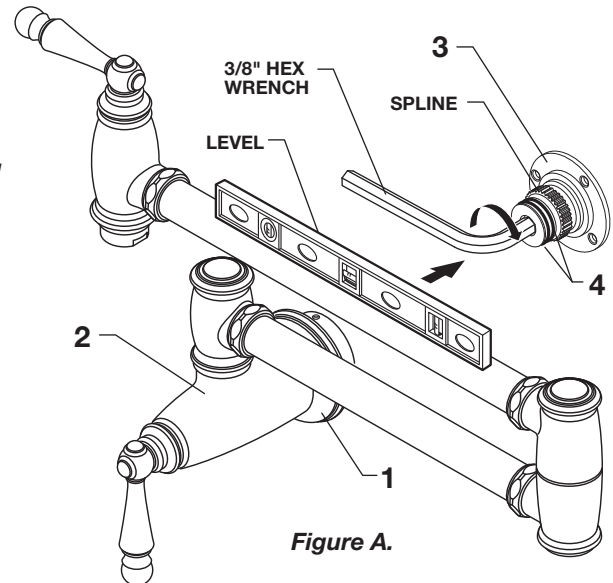
### 3 INSTALL FAUCET MOUNTING ADAPTER

- Apply **Sealing Tape** to the threads of the **Supply Nipple**. **Figure A.**
- Loosen the two **SET SCREWS (1)** and pull the **MOUNTING ADAPTER (2)** out from the back of the **POT FILLER (3)**. **Figure B.**
- Thread the **MOUNTING ADAPTER (2)** onto the **Supply Nipple** until tight against the the finished wall. Use a **3/8 Hex Wrench**. **Figure C.**



### 4 INSTALL POT FILLER

- Install the **ESCUTCHEON (1)** onto the pot filler body. Align the **POT FILLER (2)** and install it onto the **spline** of the **MOUNTING ADAPTER (3)**. Be carefull not to damage the **O-RING SEALS (4)** on the **MOUNTING ADAPTER (3)**. **Figure A.**
- Use a level as shown to help align the pot filler. **Note: If the pot filler cannot be leveled, remove the pot filler from the mounting adapter. With the 3/8 hex wrench rotate the mounting adapter until a level position is acheived.** **Figure A.**
- When the **MOUNTING ADAPTER (3)** is properly positioned, drill four pilot holes. Secure the **MOUNTING ADAPTER (3)** with the four **MOUNTING SCREW (5)** provided. **Figure B.**
- Reinstall the **POT FILLER (2)** onto the **MOUNTING ADAPTER (3)**, check for level. **Figure C.**
- If the **POT FILLER (2)** is level, tighten the two **SET SCREWS (6)** with the small **HEX WRENCH (7)** provided. Push the **ESCUTCHEON (1)** flush against the finished wall. **Figure D.**
- Turn on the water supply. Check for leaks and proper operation.





AMERICAN STANDARD

# Traditional Pot Filler

MODEL NUMBER

**D35402.900**

Replace the "YYY" with appropriate finish code

POLISHED CHROME	100
BRUSHED NICKEL	144
ULTRA STEEL	355

