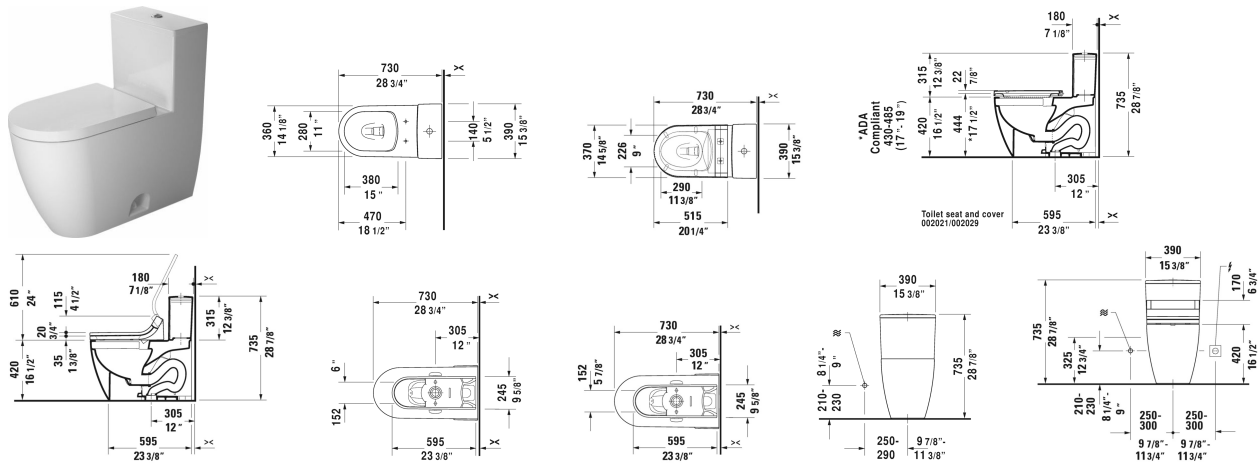


ME by Starck One-Piece toilet Duravit Rimless® # 217301..01 / 217301..85

< 14 1/8" Inch >



One-Piece toilet Duravit Rimless®	Dimension	Weight	Order number
rimless, syphonic, 12" rough-in, vertical outlet, suitable for SensoWash Starck, cUPC® listed*			
Colors			
00 White 20 HygieneGlaze (an antibacterial ceramic glaze that provides almost indefinite effectiveness)			
Variant			
♣ 1.32/0.92 gpf, with dual flush piston valve, top flush	14 1/8" x 28 3/4" Inch	141 lb	217301..01
♣ 1.28 gpf, with single flush piston valve, top flush	14 1/8" x 28 3/4" Inch	141 lb	217301..85
Infobox			
For suitable SensoWash® shower-toilet seats, please see matrix on page xxx			
Sanitary ceramics with the special WonderGliss surface finish will remain clean and attractive-looking for a long time to come. When ordering WonderGliss please add a "1" as eleventh digit to the model number.			
Mounting set for One-Piece and Two-Piece toilets, outlet 3/8" - male thread, wall connection 1/2" - female thread, 1/2", North American version	17 3/4" Inch	1.1 lb	001417
Suitable products			

ME by Starck One-Piece toilet Duravit Rimless® # 217301..01 / 217301..85

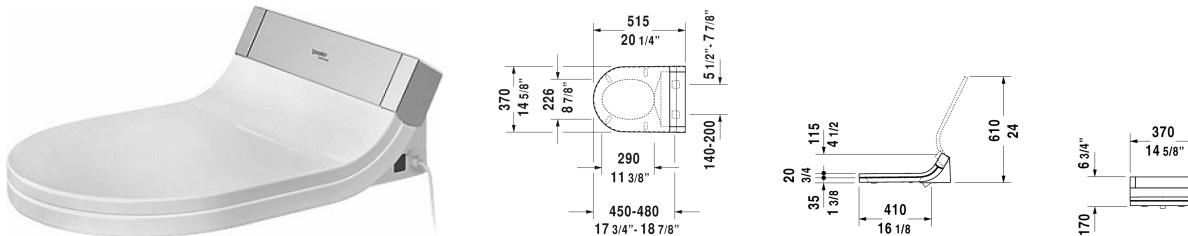
|< 14 1/8" Inch >|

<p>SensoWash® Starck shower-toilet seat for Starck 2, Starck 3 and Darling New* rear-, front and oscillating wash, individual adjustment of water-, air- and seat surface temperature as well as nozzle position and jet strength, power actuated lid and seat, night light, 2 individually programmable user profiles, remote control included, self-cleaning wand, on / off-button, Quick release: easy seat unit removal and attachment, 14 5/8" x 20 1/4" Inch</p>	<p>14 5/8" x 20 1/4" Inch</p>	<p>610000</p>
<p>Toilet seat and cover elongated, hinges stainless steel, without slow close,</p>		<p>002021</p>
<p>Toilet seat and cover removable, elongated, hinges stainless steel, with slow close,</p>		<p>002029</p>

All drawings contain the necessary measurements which are subject to standard tolerances. They are stated in inch & mm and are non-binding. Exact measurements, in particular for customized installation scenarios, can only be taken from the finished ceramic piece.

SensoWash® Starck shower-toilet seat for Starck 2, Starck 3 and Darling New* # 610000001040100

< 14 5/8" Inch >



SensoWash® Starck shower-toilet seat for Starck 2, Starck 3 and Darling New*	Dimension	Weight	Order number
rear-, front and oscillating wash, individual adjustment of water-, air- and seat surface temperature as well as nozzle position and jet strength, power actuated lid and seat, night light, 2 individually programmable user profiles, remote control included, self-cleaning wand, on / off-button, Quick release: easy seat unit removal and attachment			
Colors			
00 White			
Variant			
AC 100-120V, 50-60 Hz, USA, Kanada	14 5/8" x 20 1/4" Inch	12.6 lb	610000001040100
Infobox			
Install a water water softener with water hardness ≥ 2.4 mmol/l ($\geq 14^\circ$ dH or 24° fH).			
Suitable products			
Two-Piece toilet (without tank), suitable for SensoWash Starck, syphonic, 12" rough-in, vertical outlet, cUPC® listed*, 1.28 gpf, 14 5/8" x 27 3/4" Inch	14 5/8" x 27 3/4" Inch		212501
One-Piece toilet suitable for SensoWash Starck, syphonic, 12" rough-in, with single flush mechanism, with side lever, 3" flapper valve, vertical outlet, cUPC® listed*, 1.28 gpf, 14 5/8" x 28 1/8" Inch	14 5/8" x 28 1/8" Inch		212001
Toilet wall-mounted washdown model, suitable for SensoWash Starck, Durafix included, cUPC® listed*, 14 1/8" x 24 3/8" Inch	14 1/8" x 24 3/8" Inch		222609
Toilet wall-mounted washdown model, Durafix included, suitable for SensoWash Starck, cUPC® listed*, 14 3/5" x 24 5/8" Inch	14 3/5" x 24 5/8" Inch		254409
One-Piece toilet back-to-wall, syphonic, 12" rough-in, with single flush piston valve, top flush, suitable for SensoWash Starck, vertical outlet, cUPC® listed*, 1.28 gpf, 15 3/4" x 28 1/8" Inch	15 3/4" x 28 1/8" Inch		212301
Two-Piece toilet (without tank), suitable for SensoWash Starck, syphonic, 12" rough-in, vertical outlet, cUPC® listed*, 1.28 gpf, 14 5/8" x 27 1/2" Inch	14 5/8" x 27 1/2" Inch		212601

SensoWash® Starck shower-toilet seat for Starck 2, Starck 3 and Darling New* # 610000001040100

|< 14 5/8" Inch >|

Toilet wall-mounted washdown model, Durafix included, suitable for SensoWash Starck, cUPC® listed*, 14 1/8" x 24 3/8" Inch	14 1/8" x 24 3/8" Inch	253309
Toilet close-coupled (without tank), washdown model, suitable for SensoWash Starck, hardware included, cUPC® listed*, 14 3/4" x 28 3/8" Inch	14 3/4" x 28 3/8" Inch	212909
Toilet close-coupled (without tank), washdown model, suitable for SensoWash Starck, hardware included, cUPC® listed*, 14 5/8" x 27 3/4" Inch	14 5/8" x 27 3/4" Inch	214109
One-Piece toilet suitable for SensoWash Starck, syphonic, 12" rough-in, with single flush piston valve, top flush, vertical outlet, cUPC® listed*, 1.28 gpf, 14 3/4" x 28 1/8" Inch	14 3/4" x 28 1/8" Inch	213301
One-Piece toilet Duravit Rimless® rimless, syphonic, 12" rough-in, vertical outlet, suitable for SensoWash Starck, cUPC® listed*, 14 1/8" x 28 3/4" Inch	14 1/8" x 28 3/4" Inch	217301

All drawings contain the necessary measurements which are subject to standard tolerances. They are stated in inch & mm and are non-binding. Exact measurements, in particular for customized installation scenarios, can only be taken from the finished ceramic piece.