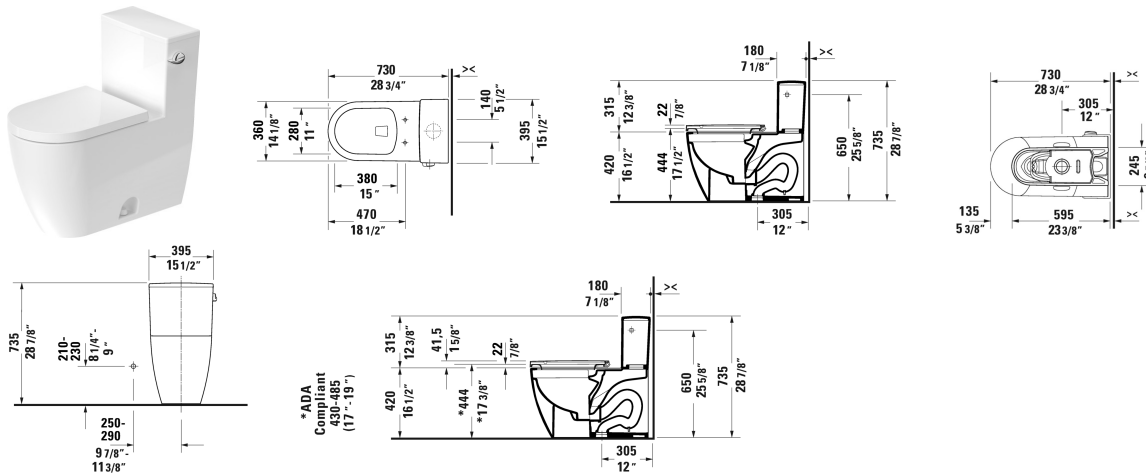


**ME by Starck Toilet kit # D4202100**

| < 14 1/8" Inch > |



| Toilet kit  | Dimension              | Weight   | Order number |
|---|------------------------|----------|--------------|
| One-Piece toilet & Toilet seat and cover  |                        |          |              |
| <b>Colors</b>   |                        |          |              |
| 00 White  |                        |          |              |
| <b>Variant</b>  |                        |          |              |
|   | 14 1/8" x 28 3/4" Inch | 152.6 lb | D4202100     |
| <b>Suitable products</b>  |                        |          |              |
| Toilet seat and cover elongated, hinges stainless steel, removable, with slow close,                                      |                        |          | 002029       |
| One-Piece toilet Duravit Rimless® rimless, syphonic, 12" rough-in, vertical outlet, cUPC® listed*, 14 1/8" x 28 3/4" Inch | 14 1/8" x 28 3/4" Inch |          | 218501       |

All drawings contain the necessary measurements which are subject to standard tolerances. They are stated in inch & mm and are non-binding. Exact measurements, in particular for customized installation scenarios, can only be taken from the finished ceramic piece.