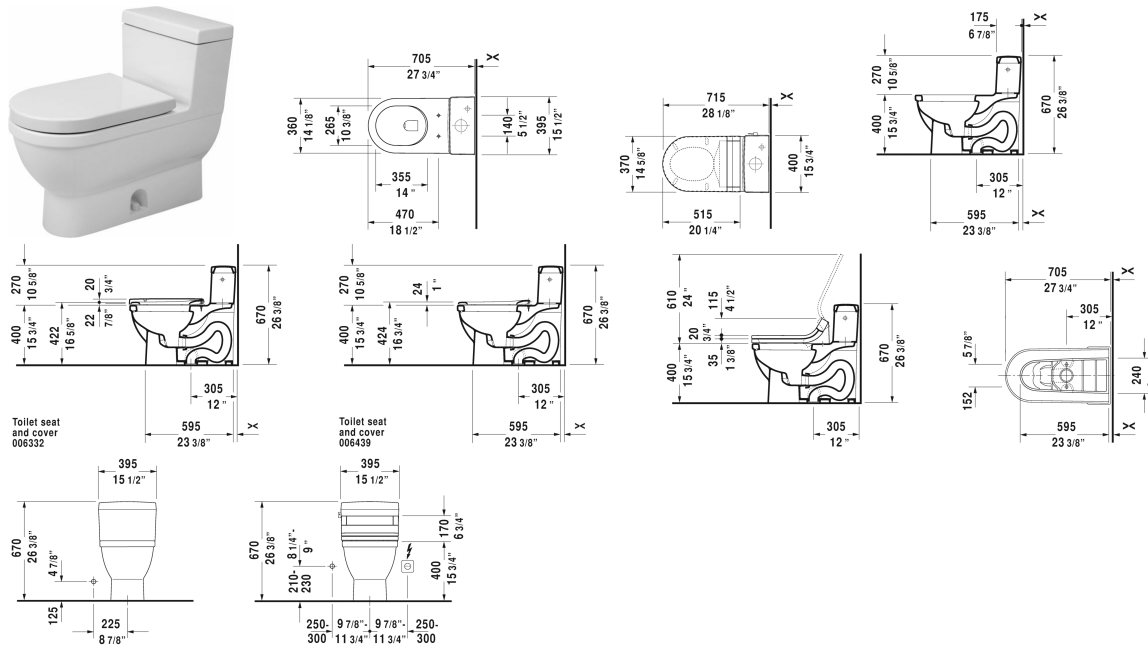


**Starck 3 One-Piece toilet # 212001..01**

**< 14 5/8" Inch >**



One-Piece toilet	Dimension	Weight	Order number
suitable for SensoWash Starck, syphonic, 12" rough-in, with single flush mechanism, with side lever, 3" flapper valve, vertical outlet, cUPC® listed*, 1.28 gpf			
<b>Colors</b>			
00 White 20 HygieneGlaze (an antibacterial ceramic glaze that provides almost indefinite effectiveness)			
<b>Variant</b>			
•	14 5/8" x 28 1/8" Inch	114.9 lb	212001..01
<b>Infobox</b>			
* Complies with following standards: ASME A112.19.2/CSA B45.1, For suitable SensoWash® shower-toilet seats, please see matrix on page xxx			
Sanitary ceramics with the special WonderGliss surface finish will remain clean and attractive-looking for a long time to come. When ordering WonderGliss please add a "1" as eleventh digit to the model number.			
Mounting set for One-Piece and Two-Piece toilets, outlet 3/8" - male thread, wall connection 1/2" - female thread, 1/2", North American version	17 3/4" Inch	1.1 lb	001417

**Starck 3 One-Piece toilet # 212001..01**

| &lt; 14 5/8" Inch &gt; |

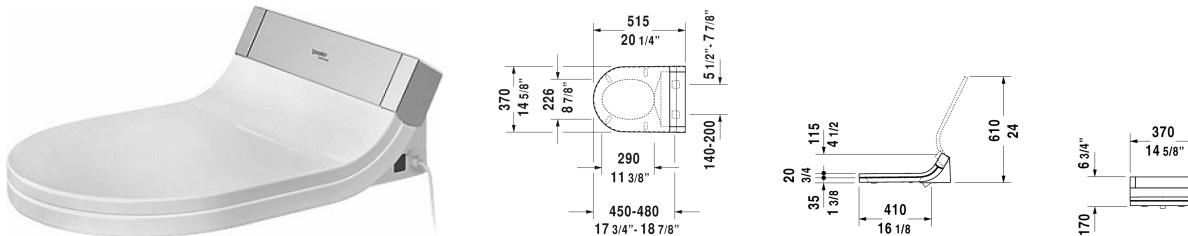
**Suitable products**

Toilet seat and cover elongated, hinges stainless steel, removable, with slow close,	006339
SensoWash® Starck shower-toilet seat for Starck 2, Starck 3 and Darling New* rear-, front and oscillating wash, individual adjustment of water-, air- and seat surface temperature as well as nozzle position and jet strength, power actuated lid and seat, night light, 2 individually programmable user profiles, remote control included, self-cleaning wand, on / off-button, Quick release: easy seat unit removal and attachment, 14 5/8" x 20 1/4" Inch	610000
Toilet seat ring elongated, open front, hinges plastic, without slow close,	006431
Toilet seat ring elongated, open front, hinges plastic, with slow close,	006439
Toilet seat and cover elongated, hinges stainless steel, without slow close,	006332

*All drawings contain the necessary measurements which are subject to standard tolerances. They are stated in inch & mm and are non-binding. Exact measurements, in particular for customized installation scenarios, can only be taken from the finished ceramic piece.*

**SensoWash® Starck shower-toilet seat for Starck 2, Starck 3 and Darling New\* # 610000001040100**

| < 14 5/8" Inch > |



SensoWash® Starck shower-toilet seat for Starck 2, Starck 3 and Darling New*	Dimension	Weight	Order number
rear-, front and oscillating wash, individual adjustment of water-, air- and seat surface temperature as well as nozzle position and jet strength, power actuated lid and seat, night light, 2 individually programmable user profiles, remote control included, self-cleaning wand, on / off-button, Quick release: easy seat unit removal and attachment			
<b>Colors</b>			
00 White			
<b>Variant</b>			
AC 100-120V, 50-60 Hz, USA, Kanada	14 5/8" x 20 1/4" Inch	12.6 lb	610000001040100
<b>Infobox</b>			
Install a water water softener with water hardness $\geq 2.4$ mmol/l ( $\geq 14^\circ$ dH or $24^\circ$ fH).			
<b>Suitable products</b>			
Two-Piece toilet (without tank), suitable for SensoWash Starck, syphonic, 12" rough-in, vertical outlet, cUPC® listed*, 1.28 gpf, 14 5/8" x 27 3/4" Inch	14 5/8" x 27 3/4" Inch		212501
One-Piece toilet suitable for SensoWash Starck, syphonic, 12" rough-in, with single flush mechanism, with side lever, 3" flapper valve, vertical outlet, cUPC® listed*, 1.28 gpf, 14 5/8" x 28 1/8" Inch	14 5/8" x 28 1/8" Inch		212001
Toilet wall-mounted washdown model, suitable for SensoWash Starck, Durafix included, cUPC® listed*, 14 1/8" x 24 3/8" Inch	14 1/8" x 24 3/8" Inch		222609
Toilet wall-mounted washdown model, Durafix included, suitable for SensoWash Starck, cUPC® listed*, 14 3/5" x 24 5/8" Inch	14 3/5" x 24 5/8" Inch		254409
One-Piece toilet back-to-wall, syphonic, 12" rough-in, with single flush piston valve, top flush, suitable for SensoWash Starck, vertical outlet, cUPC® listed*, 1.28 gpf, 15 3/4" x 28 1/8" Inch	15 3/4" x 28 1/8" Inch		212301
Two-Piece toilet (without tank), suitable for SensoWash Starck, syphonic, 12" rough-in, vertical outlet, cUPC® listed*, 1.28 gpf, 14 5/8" x 27 1/2" Inch	14 5/8" x 27 1/2" Inch		212601

**SensoWash® Starck shower-toilet seat for Starck 2, Starck 3 and Darling New\* # 610000001040100**

|< 14 5/8" Inch >|

Toilet wall-mounted washdown model, Durafix included, suitable for SensoWash Starck, cUPC® listed*, 14 1/8" x 24 3/8" Inch	14 1/8" x 24 3/8" Inch	253309
Toilet close-coupled (without tank), washdown model, suitable for SensoWash Starck, hardware included, cUPC® listed*, 14 3/4" x 28 3/8" Inch	14 3/4" x 28 3/8" Inch	212909
Toilet close-coupled (without tank), washdown model, suitable for SensoWash Starck, hardware included, cUPC® listed*, 14 5/8" x 27 3/4" Inch	14 5/8" x 27 3/4" Inch	214109
One-Piece toilet suitable for SensoWash Starck, syphonic, 12" rough-in, with single flush piston valve, top flush, vertical outlet, cUPC® listed*, 1.28 gpf, 14 3/4" x 28 1/8" Inch	14 3/4" x 28 1/8" Inch	213301
One-Piece toilet Duravit Rimless® rimless, syphonic, 12" rough-in, vertical outlet, suitable for SensoWash Starck, cUPC® listed*, 14 1/8" x 28 3/4" Inch	14 1/8" x 28 3/4" Inch	217301

*All drawings contain the necessary measurements which are subject to standard tolerances. They are stated in inch & mm and are non-binding. Exact measurements, in particular for customized installation scenarios, can only be taken from the finished ceramic piece.*