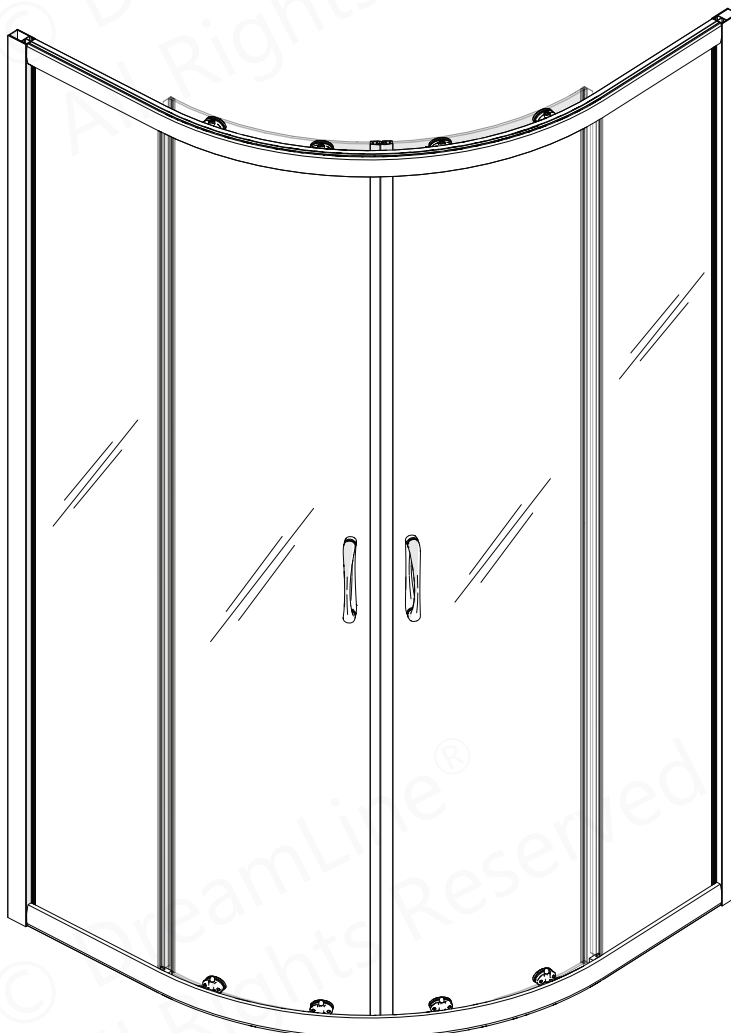




# PRIME

## SHOWER ENCLOSURE INSTALLATION INSTRUCTIONS

PLEASE REVIEW THIS ENTIRE MANUAL PRIOR TO INSTALLATION



### MODEL #s

SHEN-7031310-##  
SHEN-7031310-##-FR  
SHEN-7034340-##  
SHEN-7034340-##-FR  
SHEN-7036360-##  
SHEN-7036360-##-FR

## = finish

01 - Chrome  
04 - Brushed Nickel  
06 - Oil Rubbed Bronze  
09 - Satin Black  
FR - Frosted Glass

### IMPORTANT!

DreamLine® reserves the right to alter, modify or redesign products at any time without prior notice for the purpose of product improvement and customer experience. Please refer to the model's web page on **DreamLine.com** for the latest technical drawings, installation manuals, warranty information or additional product details.

**Do Not Return Product to the Store. Contact DreamLine® with any questions**



### Questions?

Please Call DreamLine Customer Support: **1-855-831-2126**  
Hours of Operation M-F 8AM - 7PM EST and Saturday 9AM - 5PM EST

**Support@DreamLine.com**



© DreamLine®  
All Rights Reserved

© DreamLine®  
All Rights Reserved

Record the following purchase information for your records or in the event you need to contact DreamLine®:

Purchase Order  
Number \_\_\_\_\_

Store/Vendor  
Purchased From \_\_\_\_\_

Installation Date \_\_\_\_\_

OD Number  
(optional) \_\_\_\_\_  
\*found on the shipping box or label  
if available.

Installed By: \_\_\_\_\_

SKU Number \_\_\_\_\_

# Table of Contents

Section Title	Page #
Warnings and General Preparation	2
Model Specific Preparation	3
Adjustable Wall Profile System	4
Tools	5
Detailed Diagram of Shower Door Components	6
Parts List	7-8
Installation Steps	9-20
Top and Bottom Roller Assembly Installation	16-17
Handle and Vinyl(s) Installation	18
Decorative Cover with Washer Installation	19
Product Maintenance	21
Troubleshooting	22
Factory Parts Information	23-25

## Symbol Legend



**TIP** - for ease of installation.



**CORRECT** - recommended.



**NOTE** - take note of special feature; additional information.

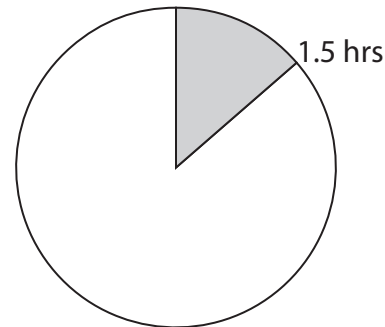


**INCORRECT** - not recommended.



**REQUIRED** - requires special attention; signifies a warning.

Average Installation Time





**IMPORTANT**

- DreamLine® reserves the right to alter, modify or redesign products any time without prior notice for product improvement and customer experience. Please refer to the model's web page on **DreamLine.com** for the latest technical drawings, installation manuals, warranty information or additional product details.
- This product should be installed by someone familiar with the construction requirements for this type of project and the care necessary for the safe installation and operation of the product.
- The safety of any installation is the responsibility of the installer.
- Professional installation recommended. (All Models)
- Professional installation required. (*Enigma Series*)
- To prevent damage or serious injury, Do Not lean against the installed panel/door/glass.
- To prevent damage or serious injury: Do Not attempt to lift or move a heavy lite of glass alone. Use an assistant and/or a professional grade glass suction cup.
- The installation of some models may require drilling down into the threshold. Contact the manufacturer of the base, tub, or threshold material with any questions regarding the drilling of holes into their product.
- All drawings in this installation manual are for illustrative purposes only and are not drawn to scale.

**GENERAL PREPARATION**

- After opening all boxes and packages, read this introduction carefully. Check that all the items are included in the package by marking off the components on the "**Detailed Diagram of Product Components**" page. Examine all boxes and packages for shipping damage. If the unit has been damaged, has a finishing defect, or is missing parts; please contact our Customer Support department within 3 business days of the delivery date. **Please note that DreamLine® will not replace any damaged products or missing parts free of charge after 3 business days or if the product has been installed.** Please contact DreamLine® if you have any questions.
- **Please note that you should refer to your local building codes with questions on installation compliance standards. Building and plumbing codes may vary by location, and DreamLine® is not responsible for code compliance standards for your project and will not accept any returns.**
- If this unit is going to be installed in a new construction, install all the required plumbing and drainage before installing the shower. **Use a competent and licensed (if required by local code) plumber for all plumbing installation.**
- Make sure that prior to beginning the installation, the surfaces are leveled and solid and will be able to support the total weight of the unit. Also make sure the walls are at right angles. Irregular installation surface level, radius corners or improper angle of side walls will result in serious problems for your installation. Please note that some adjustments and drilling will be necessary during the installation process.
- Protect all primary surfaces of the product during installation. Never set your glass down directly onto a tile floor. Leave corner protectors in place until it is necessary to remove them. Always use a piece of wood or cardboard to protect the bottom edge and corners of the glass prior to and during installation.
- This unit must be installed upon a finished threshold and against finished walls.
- *DreamLine® shower doors are not designed to be installed into a fiberglass surround due to the radius corners and lack of a solid surface to mount the hardware.*

**TEMPERED GLASS WARNING**

- Your Shower Door Glass Could Shatter Without Warning if Improperly Installed or Mishandled
- Do Not install or operate a shower door if the glass has chipped corners, slivered edges or is otherwise damaged and/or has been dropped or banged into a hard surface such as tile, marble or glass.
- **The main causes of tempered glass breakage are:**
  - Improper handling, storage or installation
  - Misuse/abuse
  - Lack of maintenance
  - Failure to replace damaged glass
  - **Improper handling during storage, unpacking and installation:**
  - Corners and edges are the most susceptible area to damage on a lite of tempered glass and should be protected and handled with care during storage, unpacking, installation and operation. A concentrated point of pressure or impact with a surface harder than itself may cause the tempered glass to shatter. The tempered glass may release immediately, within several hours or even days later.
  - **Incorrect installation of door hardware, rollers, hinges, channels, stopper or glass:**
  - Improper installation may include: loose hardware and/or lack of proper gaskets between the hardware and glass. Additionally, improper alignment of guide rails, wall profiles or other hardware during installation or operation may place stress on the glass edges and cause it to break.
  - This product must be installed by a professional and experienced installer familiar with the safe handling of tempered glass.
  - **Improper use of this product:**
  - Aggressively opening or closing the door may cause trauma to the glass, which can lead to breakage. This may occur immediately or hours or even days later.
  - **The shower door hardware and glass should be inspected periodically:**
    - Instruct the homeowner how to perform a periodic inspection of the shower hardware and glass - some minor adjustments may be necessary based upon the use (or misuse) of the shower door. Ensure that the hardware remains tight and that the door alignment and operation are correct. Any adjustments should be made upon discovery to prevent damage to the product.
    - Additional considerations should be given to the installation of frameless tempered glass products in households with young children or an elderly person due to an increased chance of improper handling. In such cases, alternatives such as shower curtains or grab bars should be considered.

**WARNING: TO AVOID THE RISK OF DAMAGE OR INJURY:**

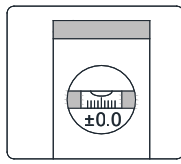
- **Follow all recommendations and requirements as shown in the installation instructions.**
- Perform a thorough inspection of the glass and all parts for any damage prior to installation. Any damage to tempered glass can cause breakage. **Do Not install damaged glass!**
- Do Not install or operate a shower or tub door if the glass has chipped corners, slivered edges or is otherwise damaged. Do Not install or operate a shower or tub door that has been dropped or banged into a hard surface such as tile, marble or glass.
- **CAUTION:** Contact with any hard surface can damage tempered glass and cause it to shatter.
- This product uses tempered glass. Glass cannot be cut after it has been tempered. **Do Not attempt to cut tempered glass.**
- DreamLine® Glass Shower doors, Tub doors, Inline panels, and Return panels can shatter due to improper handling or lack of maintenance. Conduct periodic inspections of glass and all parts for possible damage, missing or loose parts.
- Always wear proper safety equipment such as: safety goggles, work gloves and appropriate footwear during the installation process.
- **WARNING. Risk of leakage and/or damage.** Follow all instructions regarding the application of silicone sealant or caulk. Allow 24 hours for the sealant to cure before the initial use of the shower or tub product. Follow the silicone manufacturer's recommendations regarding the use of their product.
- **Thoroughly read these instructions before installing or using this product.**
- **Leave this manual for the end-user of the product.**



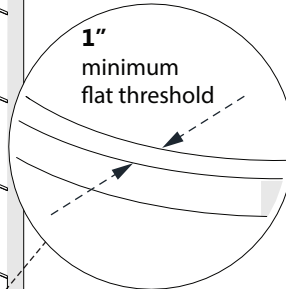
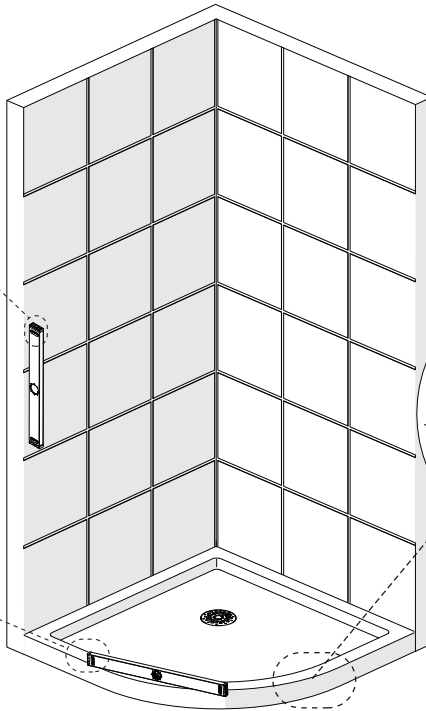
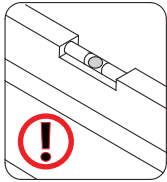
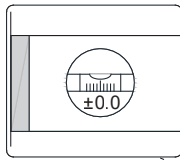
This product should be installed by someone familiar with the construction requirements for this type of product and the care necessary for the safe installation and operation of the product.

# Model Specific Preparation

**1" Out-of-Plumb Adjustment; Verify threshold and walls with a level**

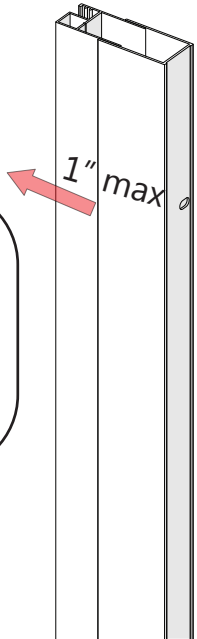


**Threshold must be level**



**DO NOT** attach the handle and/or towel bar to the glass until instructed to do so.  
**DO NOT** attempt to use the handle/towel bar to lift the glass during installation. This may result in damage to the glass and/or serious injury. Always use a professional grade glass suction cup and an assistant.

This model has a 1" adjustable wall profile system for Out-of-Plumb wall conditions and overall width within the model size when installed into a finished opening. For more information, see the Adjustable Wall Profile System on page 4.



For models with **Frosted** glass, install the textured (Frosted) surface facing **towards** the **inside** of the shower.

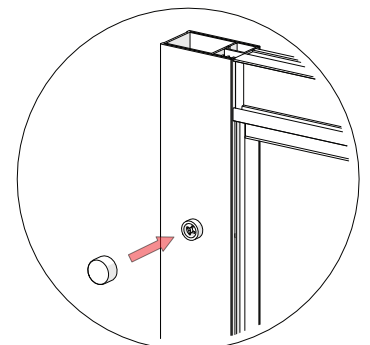
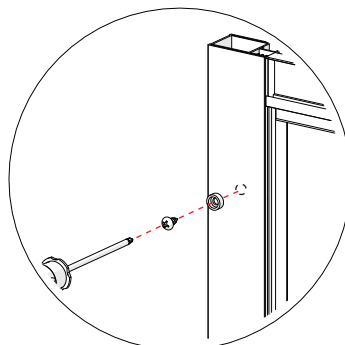
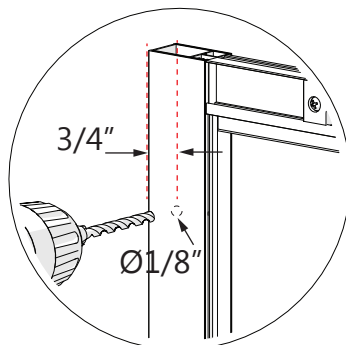
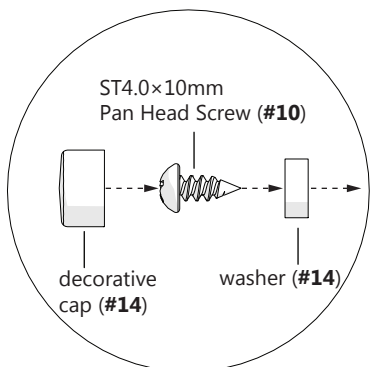
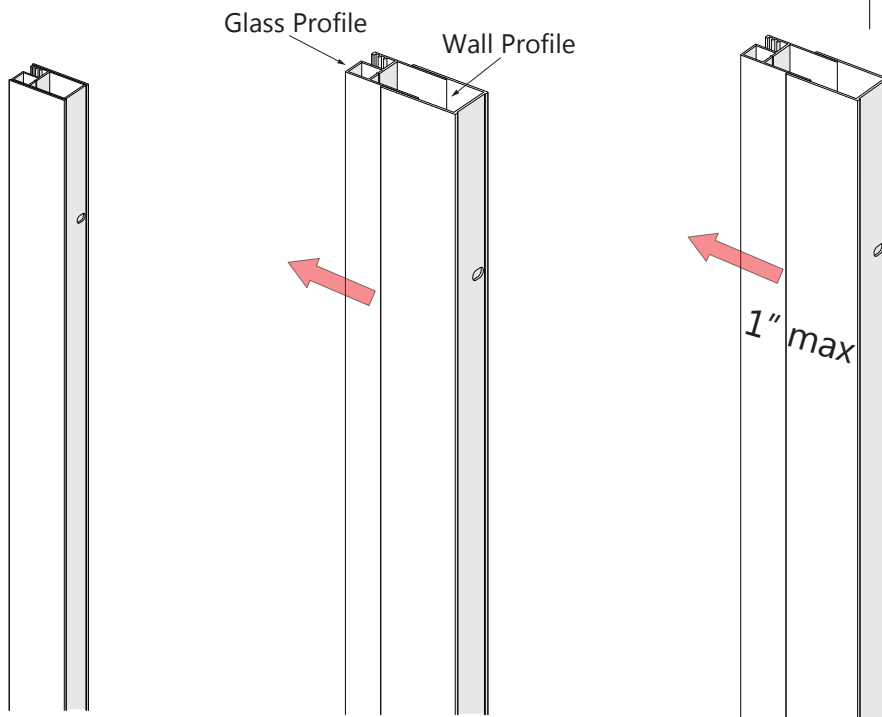
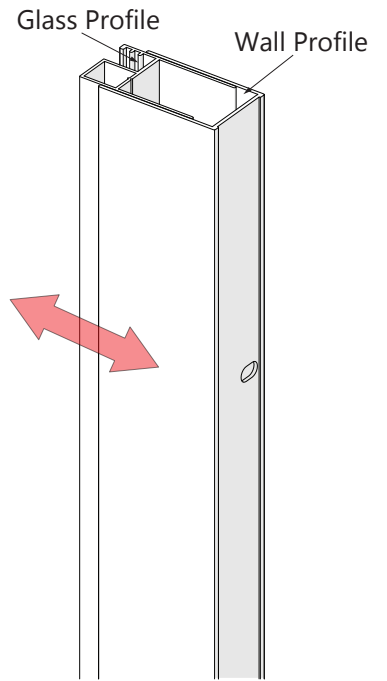


**Professional Installation recommended.**

# Adjustable Wall Profile System



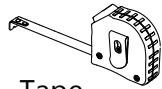
The Glass Profiles can be adjusted within the Wall Profiles for overall width or to correct for out-of-plumb conditions within the model size. Screw them together after making final adjustments.



# Tools



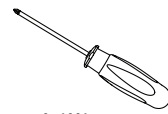
Level



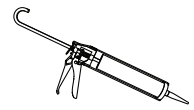
Tape Measure



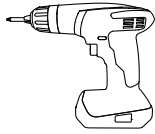
Pencil



Phillips Screwdriver



Silicone



Power Drill



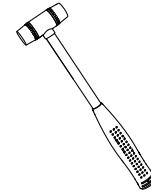
Drill Bit  
Ø5/16"  
(8mm)



Drill Bit  
Ø3/16"  
(4mm)



Drill Bit  
Ø1/8"  
(3mm)



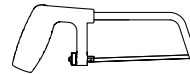
Soft Head Hammer



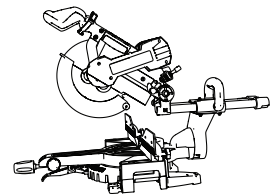
Safety Glasses



Work Gloves



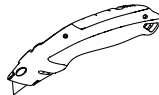
Hacksaw



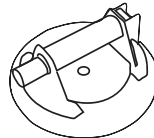
Mitre Saw



Painter's Tape



Razor Knife



Professional-grade  
Glass suction cup



Extender Driver Bit



#2 Phillips  
Driver Bit



To be sure that the correct model size has been ordered. Measure the finished opening before proceeding with the installation.



Cover the shower/tub drain with tape prior to installation to prevent the loss of screws or small parts.



To prevent stripping the screw heads, set power drill to a low setting when installing screws.

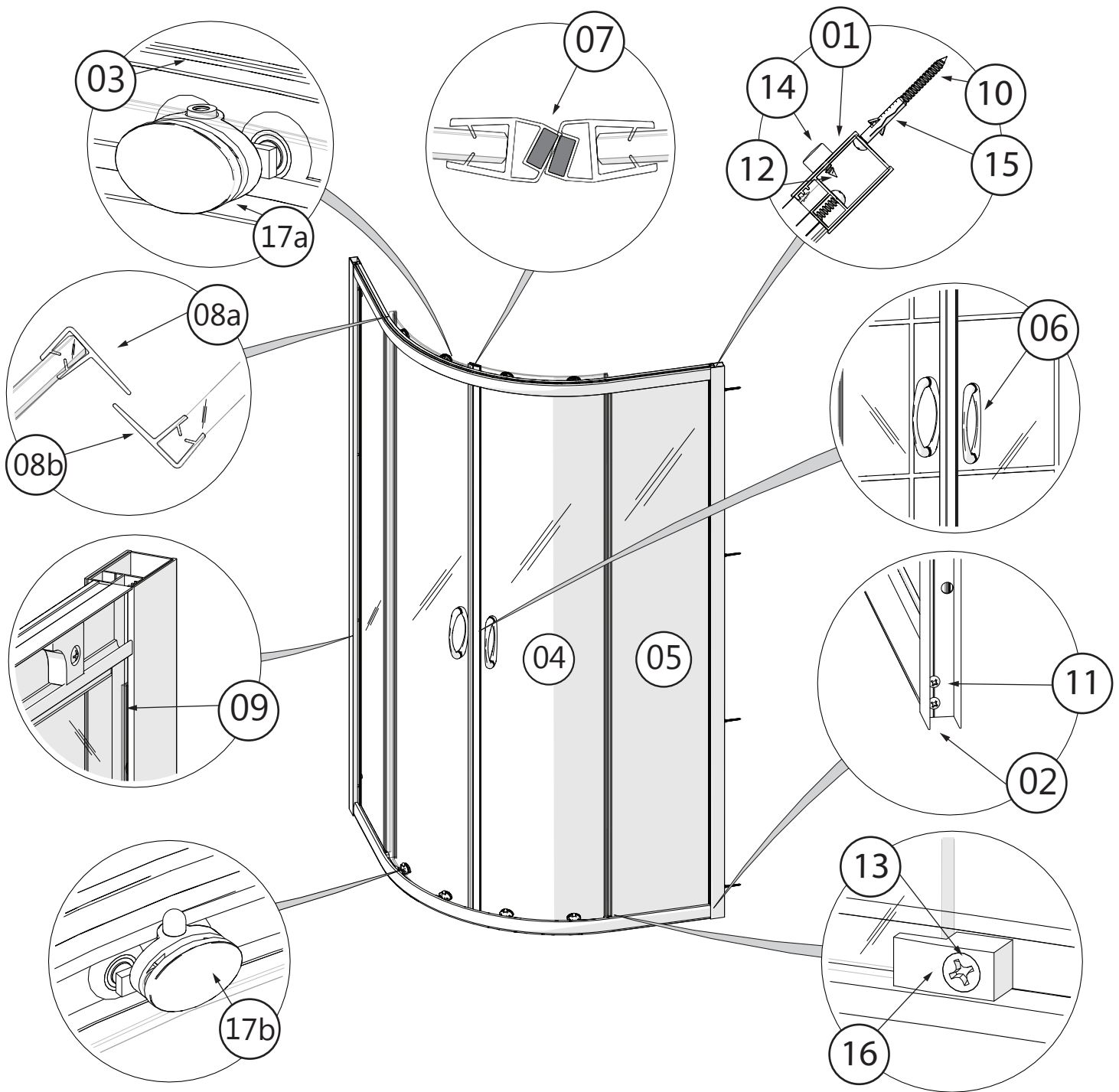


Unpack your unit carefully and inspect it. Lay it out and identify all parts using the **Detailed Diagram** on **page 6** and the included packing list in this manual as a reference. Before discarding the carton, check for small hardware bags that may have fallen to the bottom of the box. If any parts are damaged or missing, please contact DreamLine® for replacement. The shipping boxes may contain extra parts not used in your model configuration.



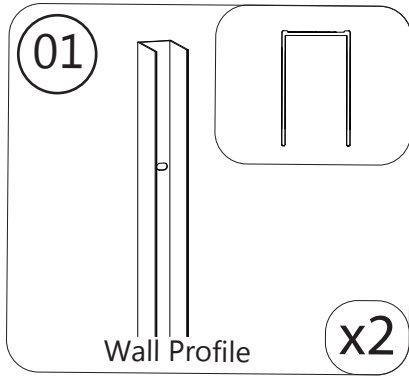
Retain these installation instructions for future reference.

# Detailed Diagram of Shower Door Components



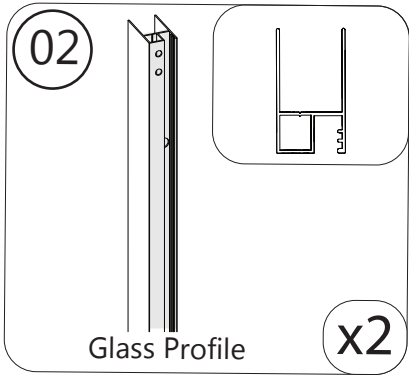


# Parts List



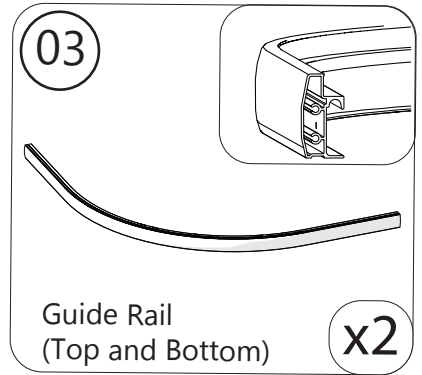
Wall Profile

x2



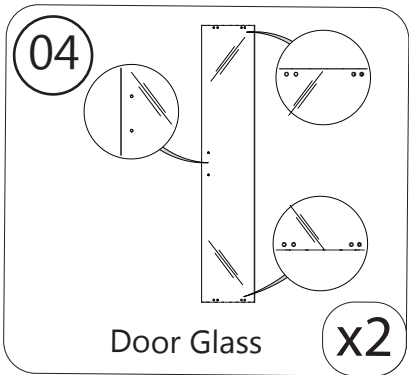
Glass Profile

x2



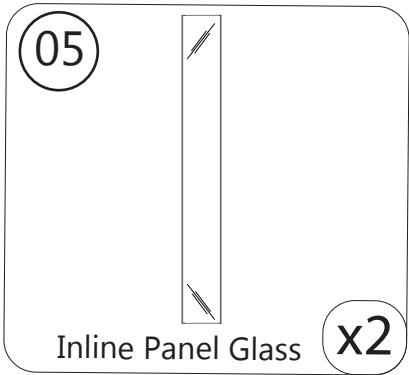
Guide Rail  
(Top and Bottom)

x2



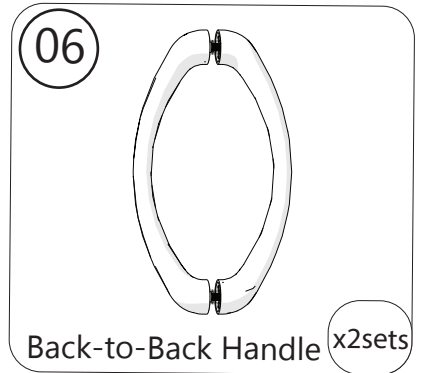
Door Glass

x2



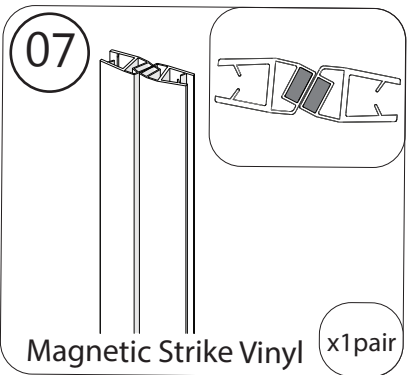
Inline Panel Glass

x2



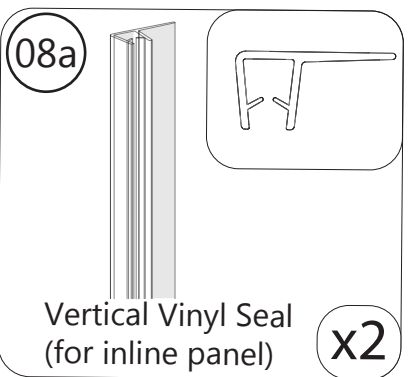
Back-to-Back Handle

x2sets



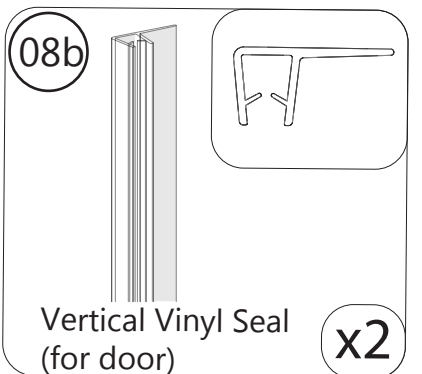
Magnetic Strike Vinyl

x1pair



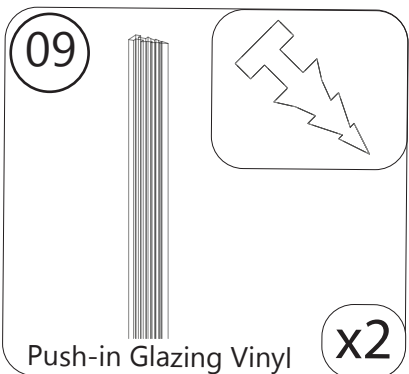
Vertical Vinyl Seal  
(for inline panel)

x2



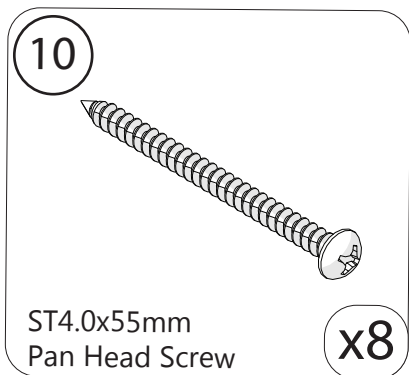
Vertical Vinyl Seal  
(for door)

x2



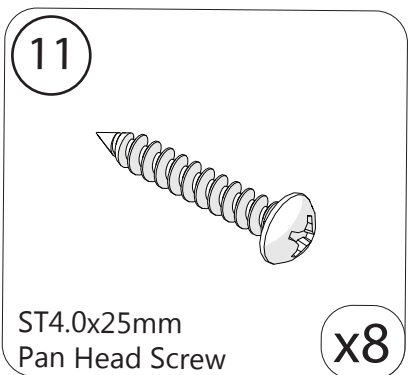
Push-in Glazing Vinyl

x2



ST4.0x55mm  
Pan Head Screw

x8

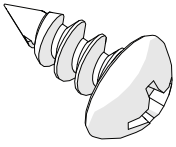


ST4.0x25mm  
Pan Head Screw

x8

# Parts List

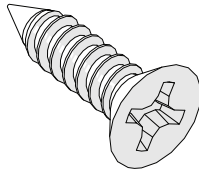
12



ST4.0x10mm  
Pan Head Screw

x4

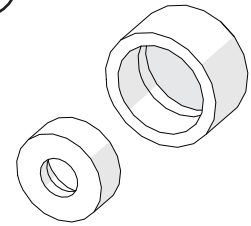
13



ST4.2x16mm  
Countersunk Screw

x4

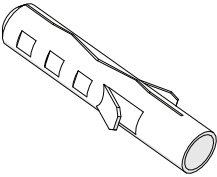
14



Decorative Cover  
with Washer

x4sets

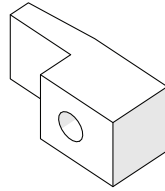
15



Wall Anchor  
8mm (5/16")

x8

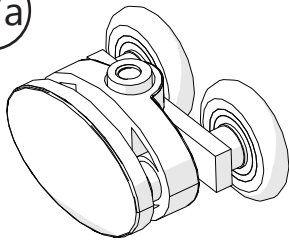
16



Glass Clip  
for 6mm (1/4") Glass

x4

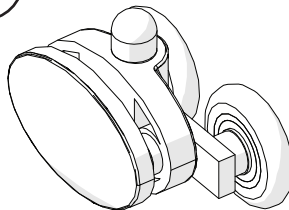
17a



Double Roller  
Assembly (top)

x4

17b



Double Roller  
Assembly (bottom)

x4

1

# Installation Steps

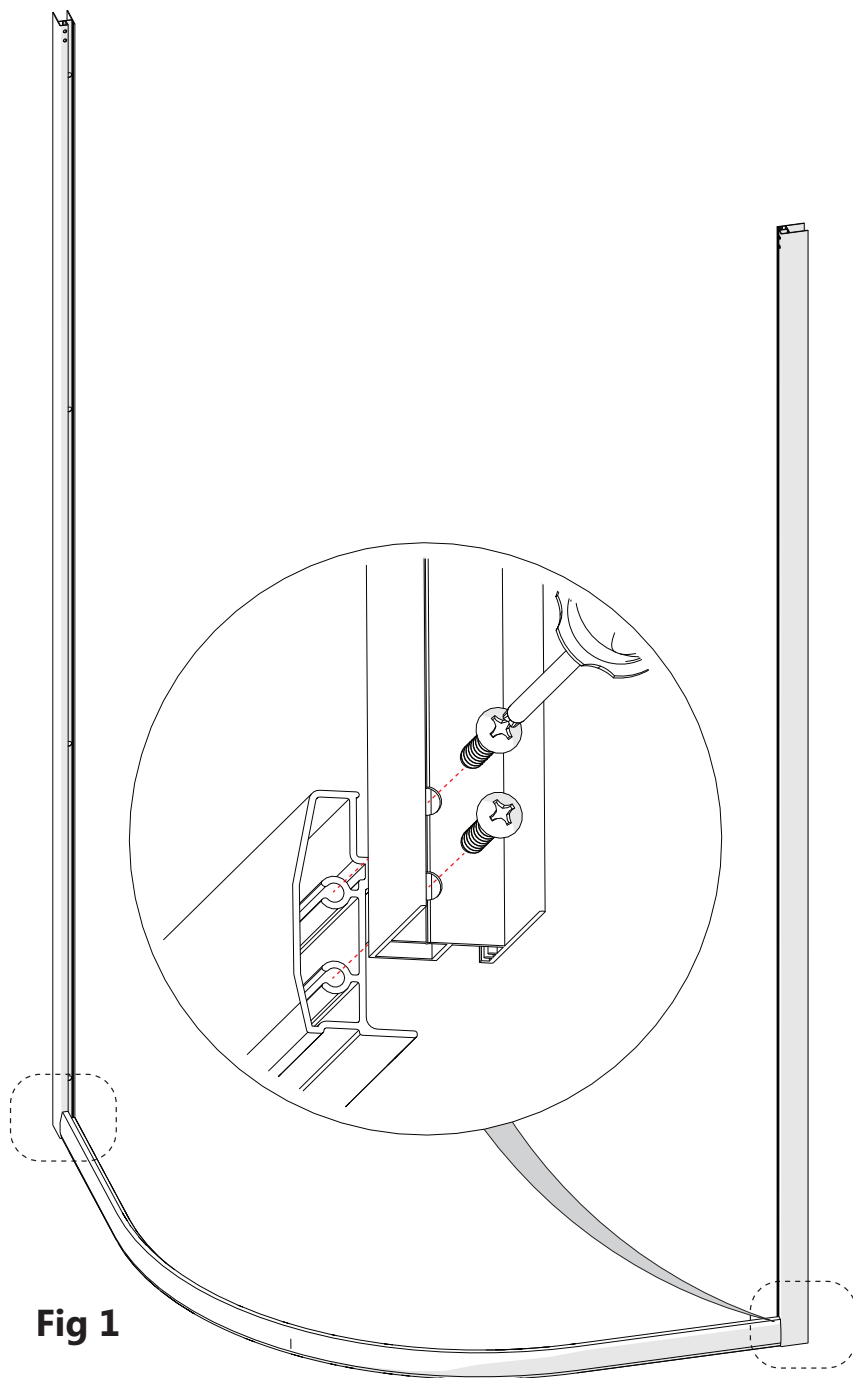
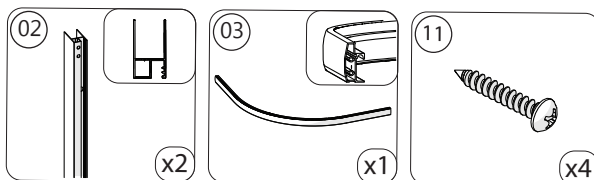


Fig 1

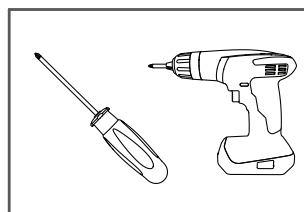


Add liquid soap, wax, or lubricant to screws prior to attaching the **Glass Profiles (#02)** to the **Guide Rails (#03)**.  
Use a low setting on the power drill, to prevent stripping the screws.

## Parts Needed



## Tools Needed



2

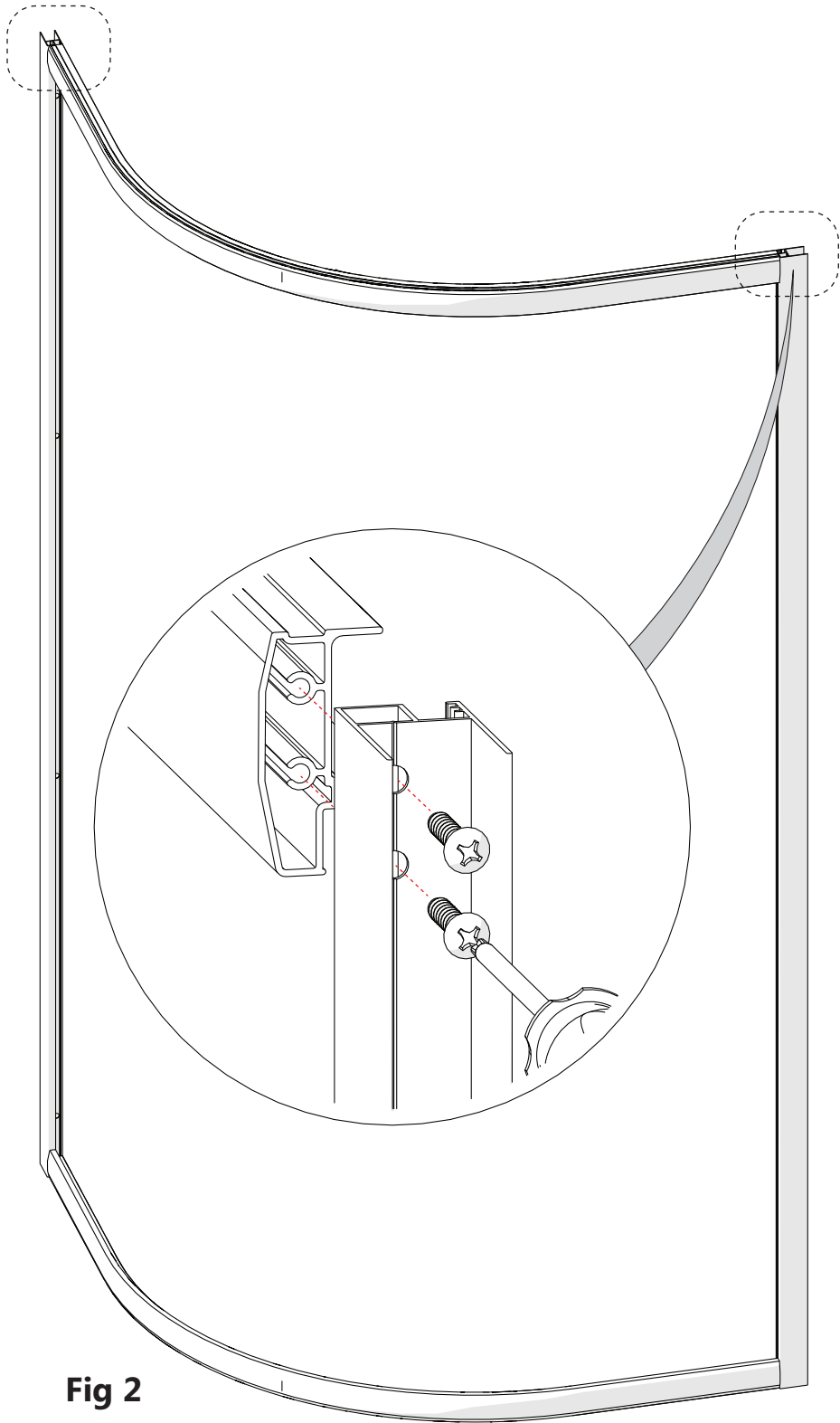
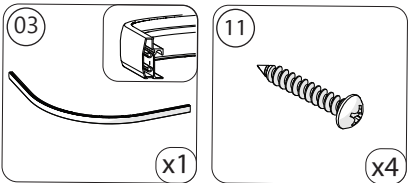
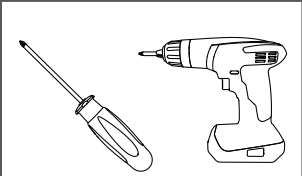


Fig 2

Parts Needed



Tools Needed



3

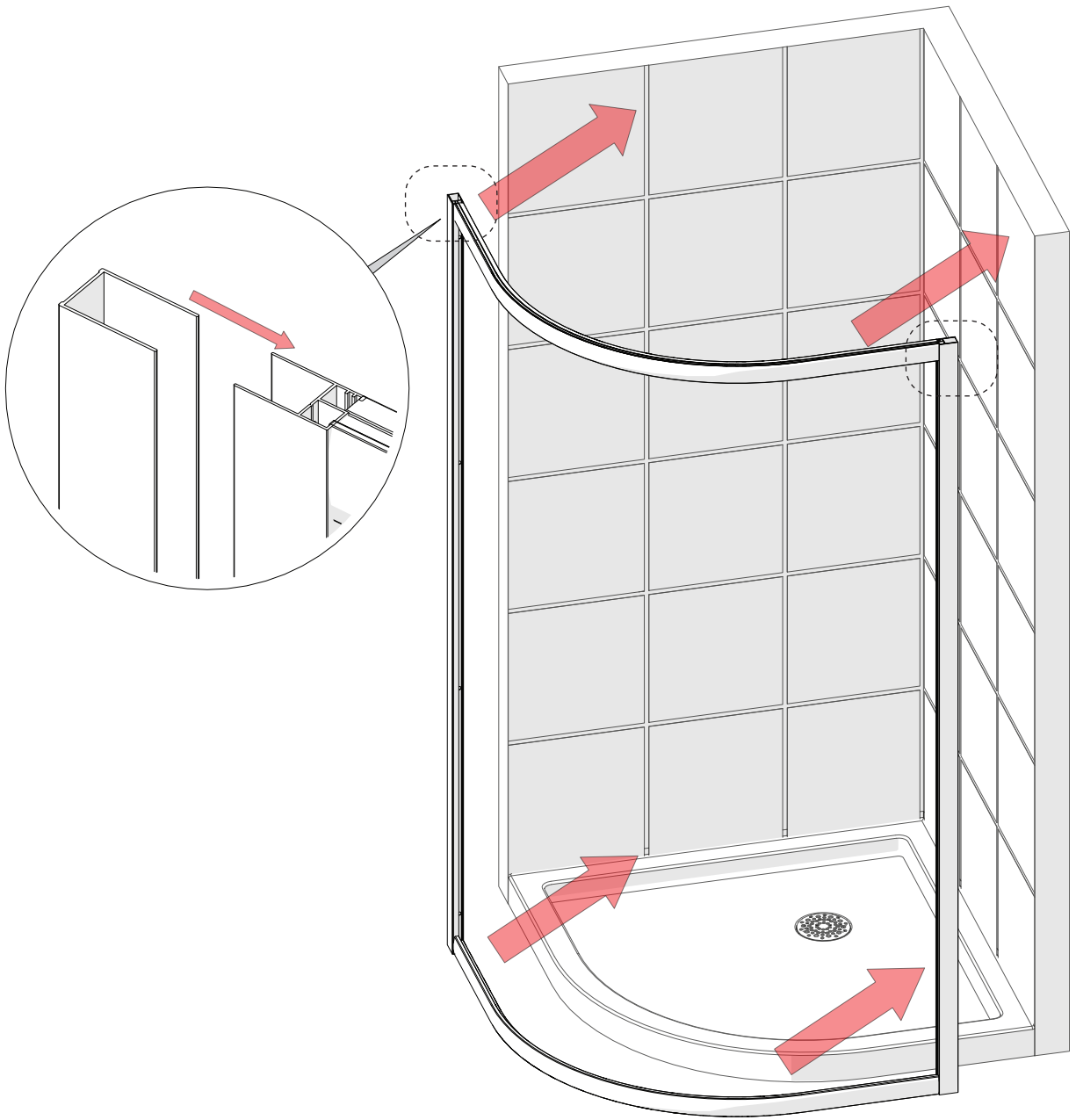
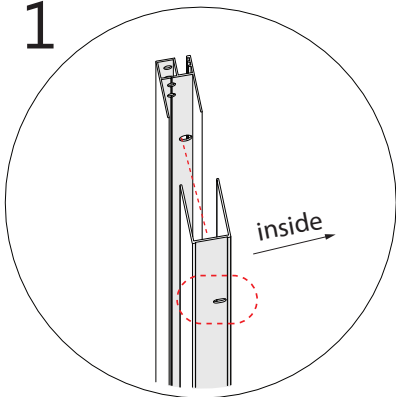


Fig 3

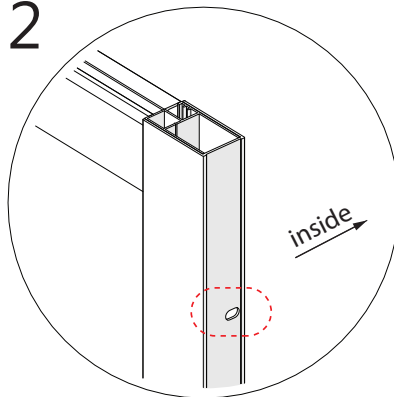


The holes in the **Wall Profiles (#01)** are off-center and must line up with the corresponding holes in the **Glass Profiles (#02)**.

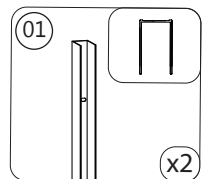
1



2



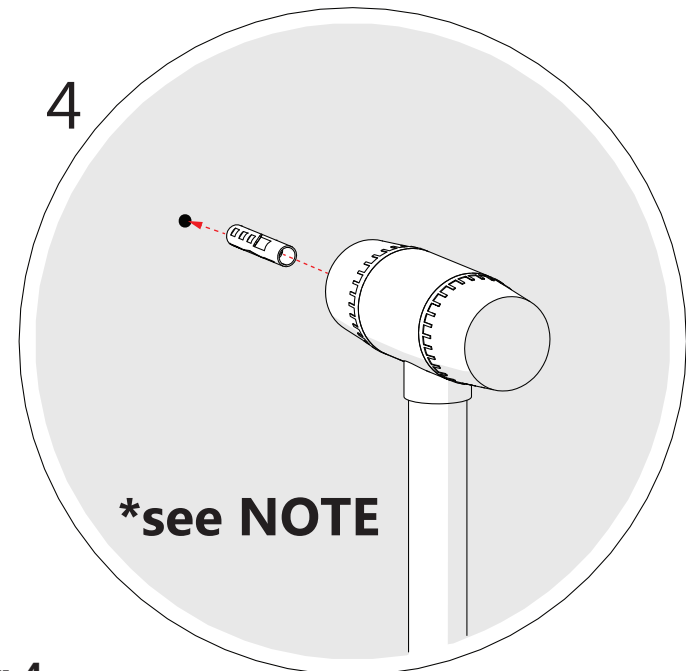
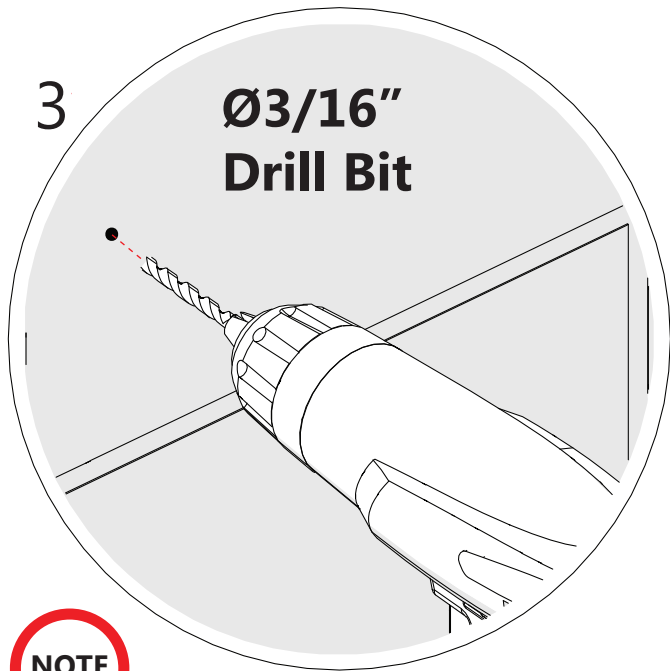
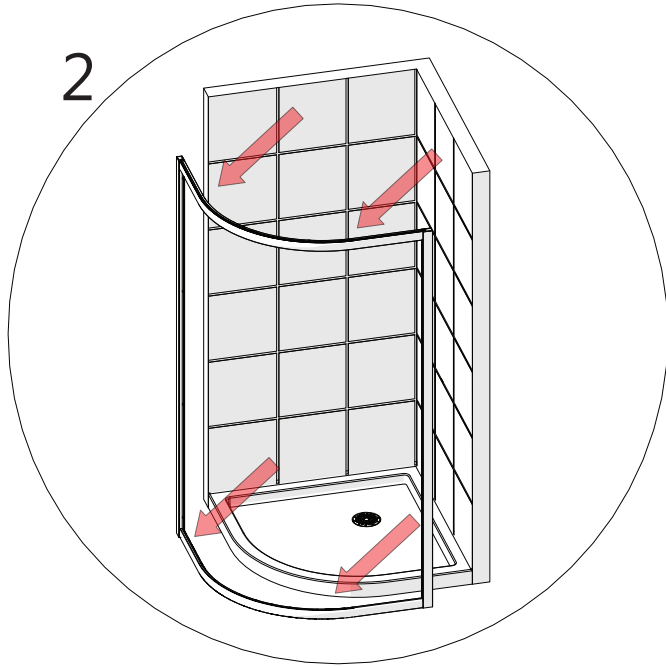
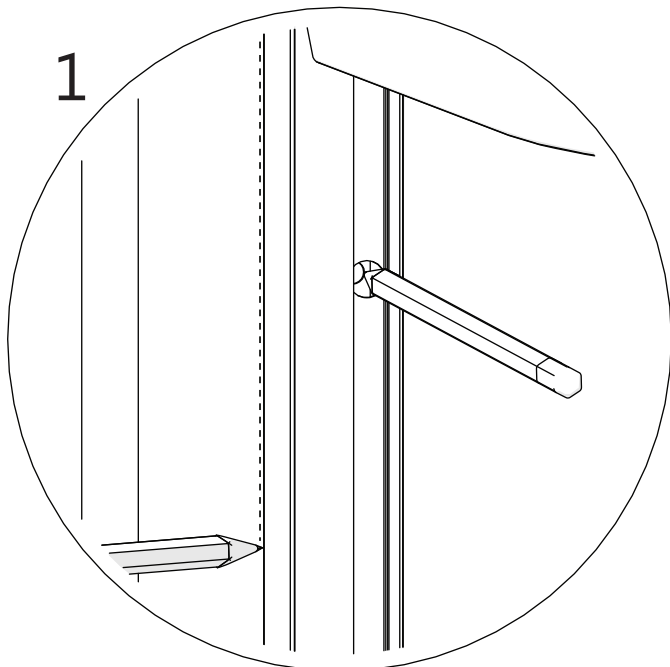
**Parts Needed**



4

**NOTE**

- Before marking the holes for drilling, confirm that:
- the assembled frame is tight to the threshold
  - the **Wall Profiles (#01)** are tight to the walls
  - the frame is level



**NOTE**

If a stud is present behind the wall, drill a hole using a **Ø3/16"** drill bit and **do not** use wall anchors.  
 If no stud is present, drill the hole using a **Ø5/16"** drill bit and insert **Wall Anchors (#15)** as shown in Fig 4.3.

Fig 4

Parts Needed		Tools Needed	
(15)			
x8			

5

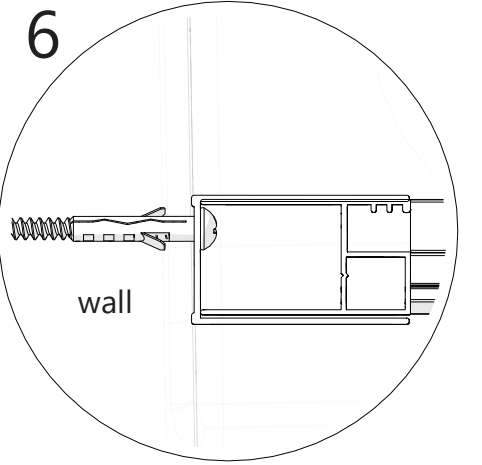
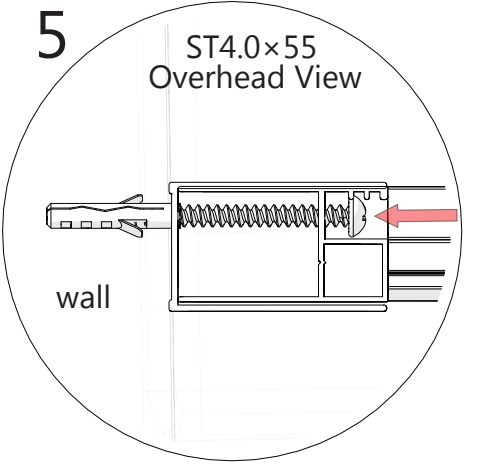
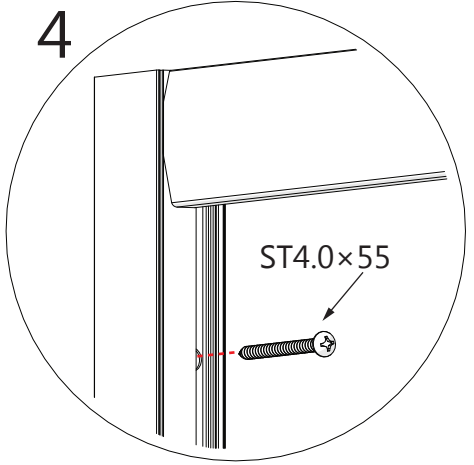
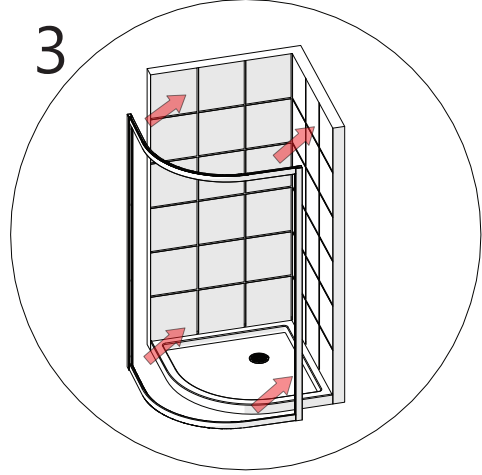
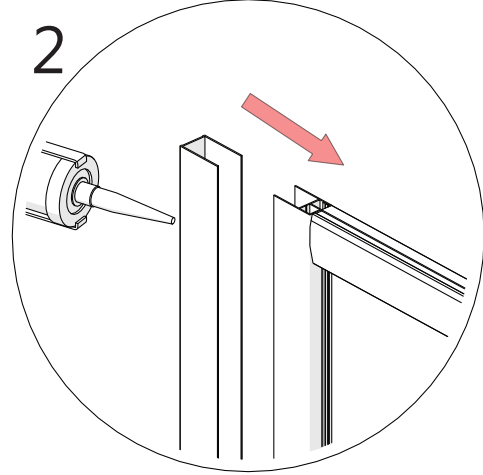
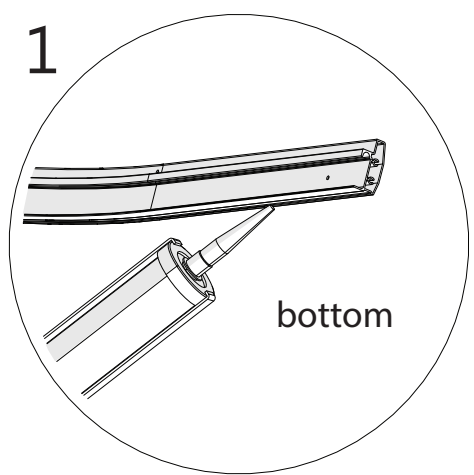

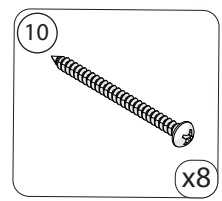


Fig 5

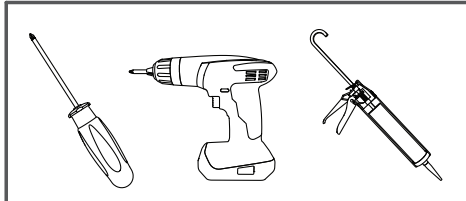


 Extender Driver Bit recommended for the installation of these screws.

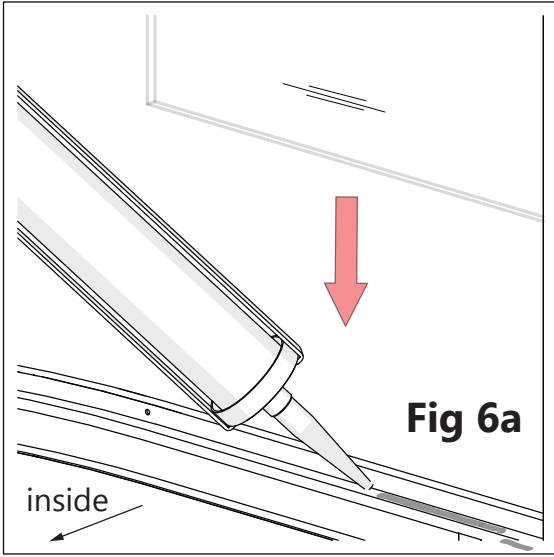
Parts Needed



Tools Needed



6



Apply a thin bead of silicone caulk to the bottom **Guide Rail (#03)** when setting the **Inline Panel Glass (#05)** in place.



For models with **Frosted** glass, install the textured (Frosted) surface facing **towards** the **inside** of the shower.

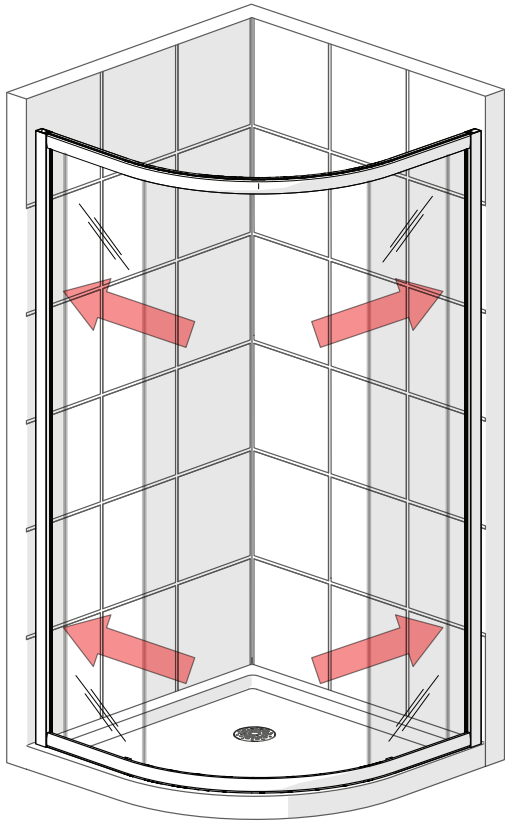


Fig 6b

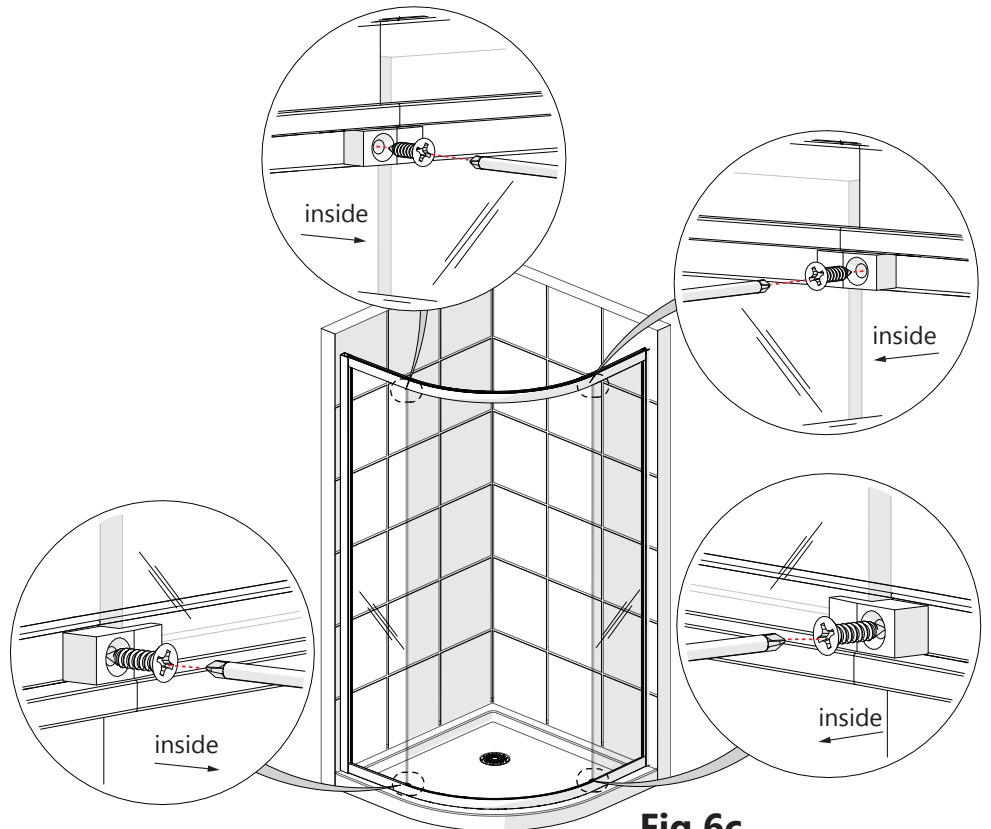
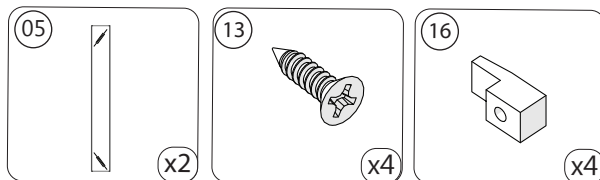
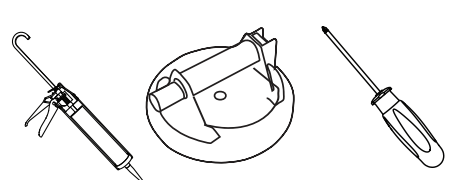


Fig 6c

Parts Needed

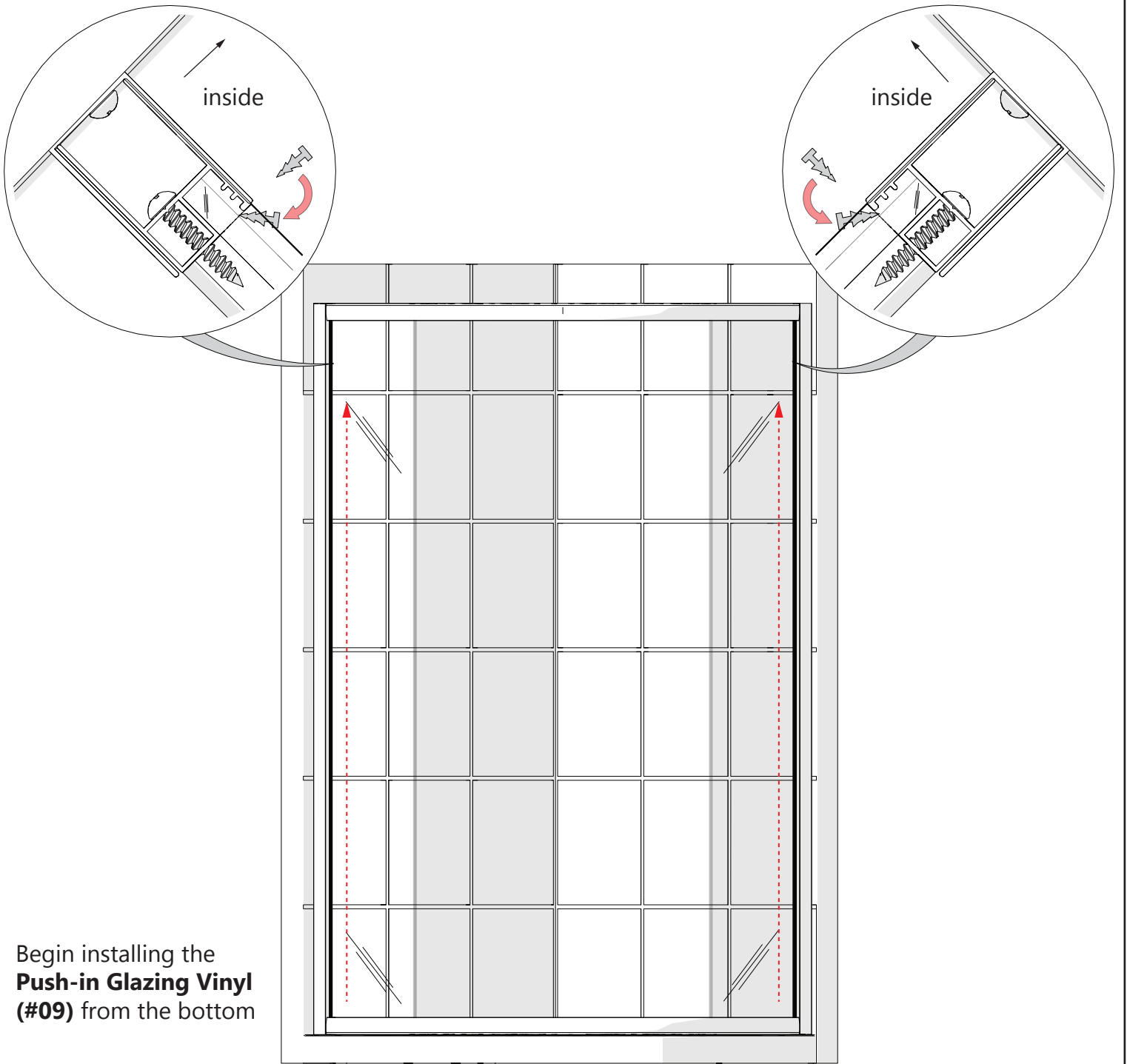


Tools Needed





7



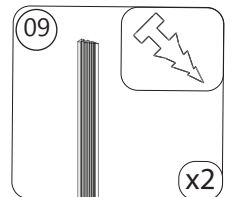
Begin installing the **Push-in Glazing Vinyl (#09)** from the bottom

Fig 7



To prevent scratching or damaging the glass and aluminum, **DO NOT** use a screwdriver or other metal tool to install the **Push-in Glazing Vinyl (#09)**. Use a plastic putty knife or similar if necessary.

**Parts Needed**



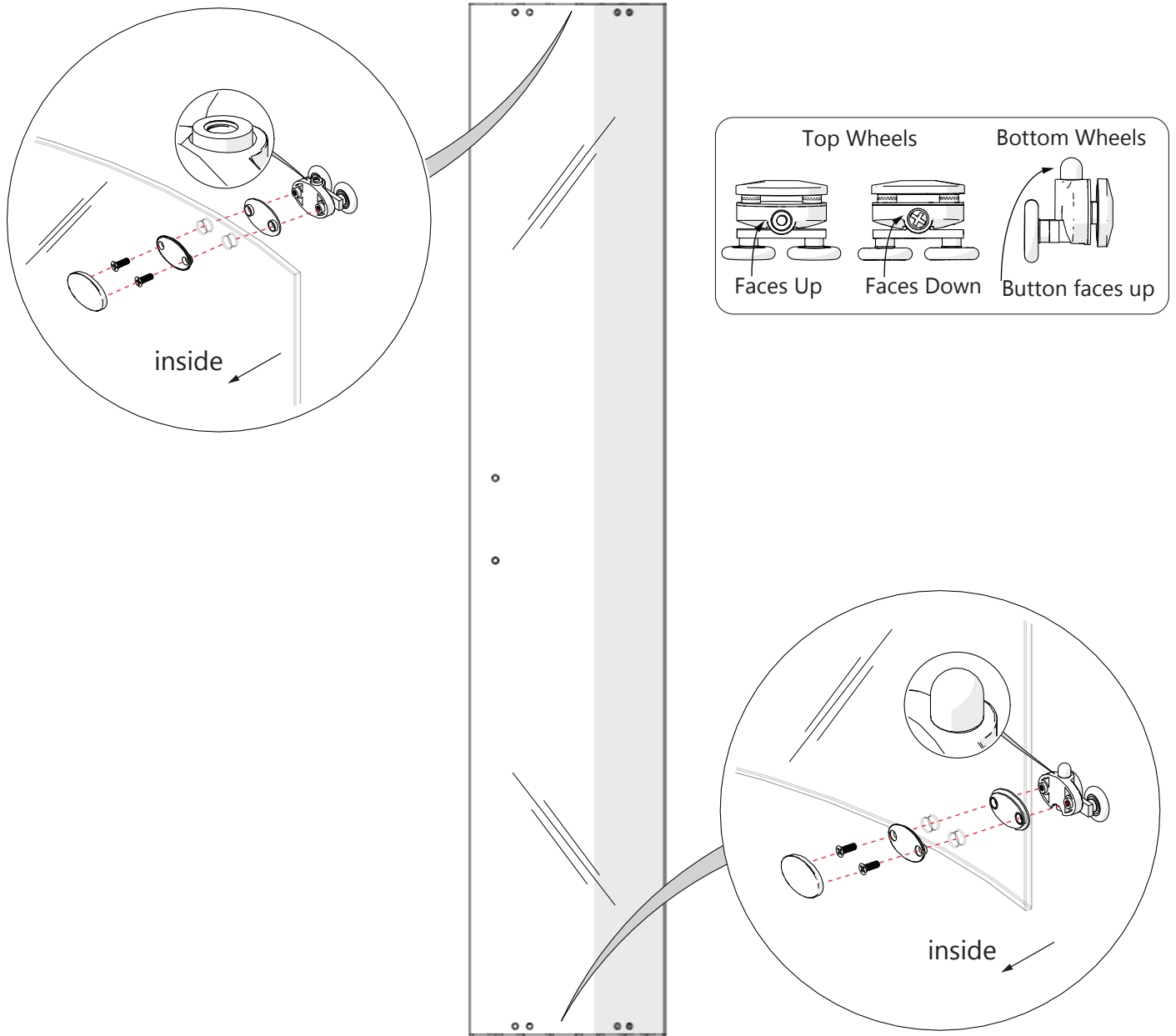
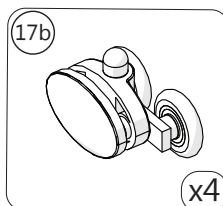
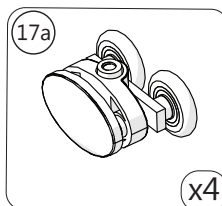
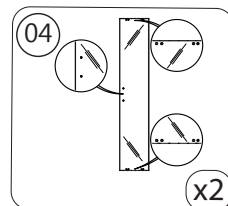


Fig 8

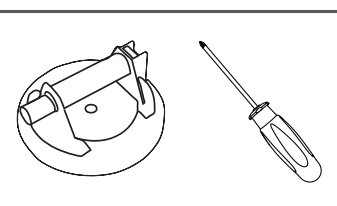


The lock nut on the **Top Roller Assembly (#17a)** and the push-button on the **Bottom Roller Assembly (#17b)** should both be pointing up for easier access. **DO NOT** overtighten the **Roller Assemblies (#17a/17b)**.

**Parts Needed**



**Tools Needed**



9

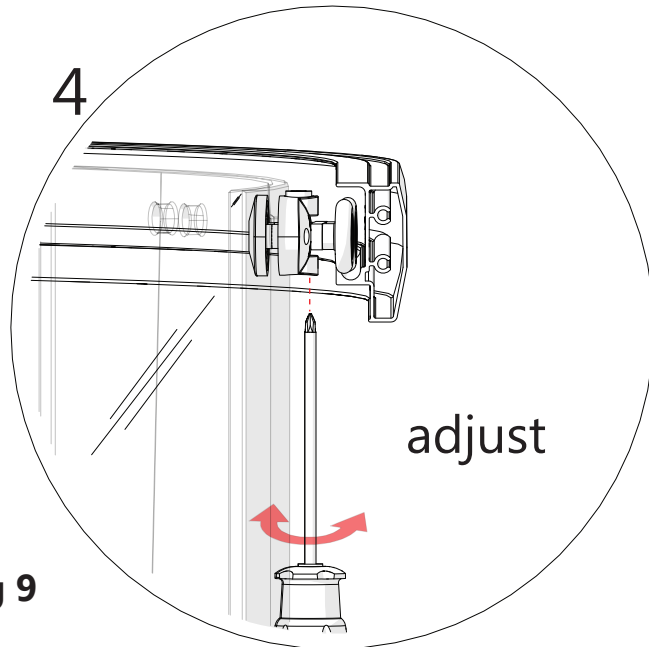
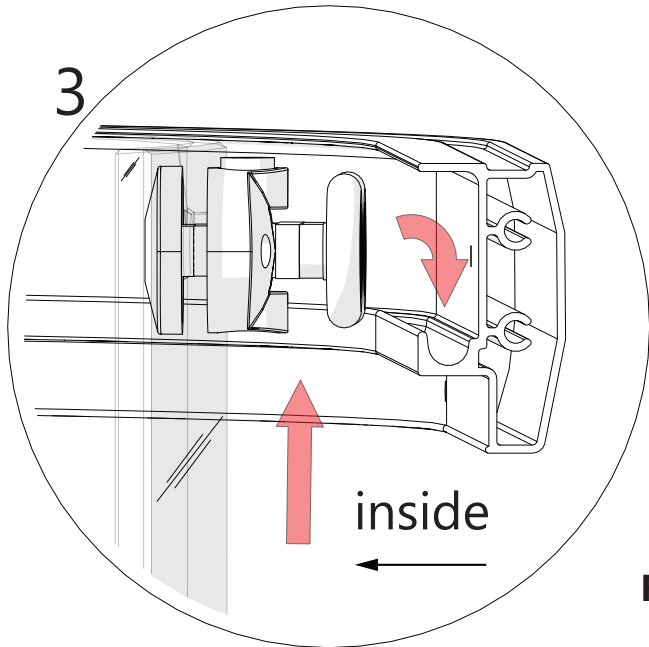
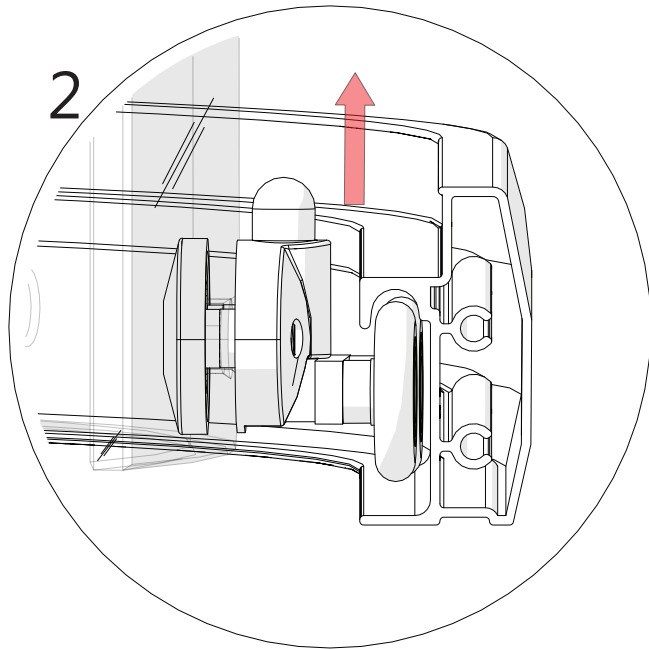
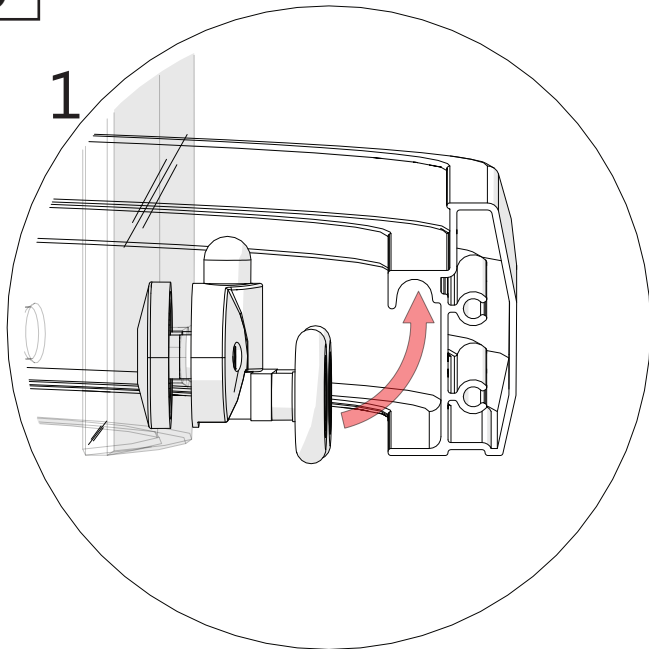


Fig 9

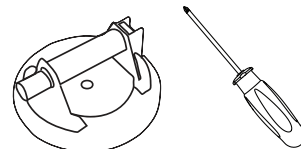
**NOTE**

Adjust the **Top Roller Assemblies (#17a)**, if necessary, for smoother operation.



Use caution not to bang the door glass together during installation. Install the Magnetic Vinyl Seals (#07) onto the door glass before fully closing the doors.

**Tools Needed**



# Handle and Vinyl Installation

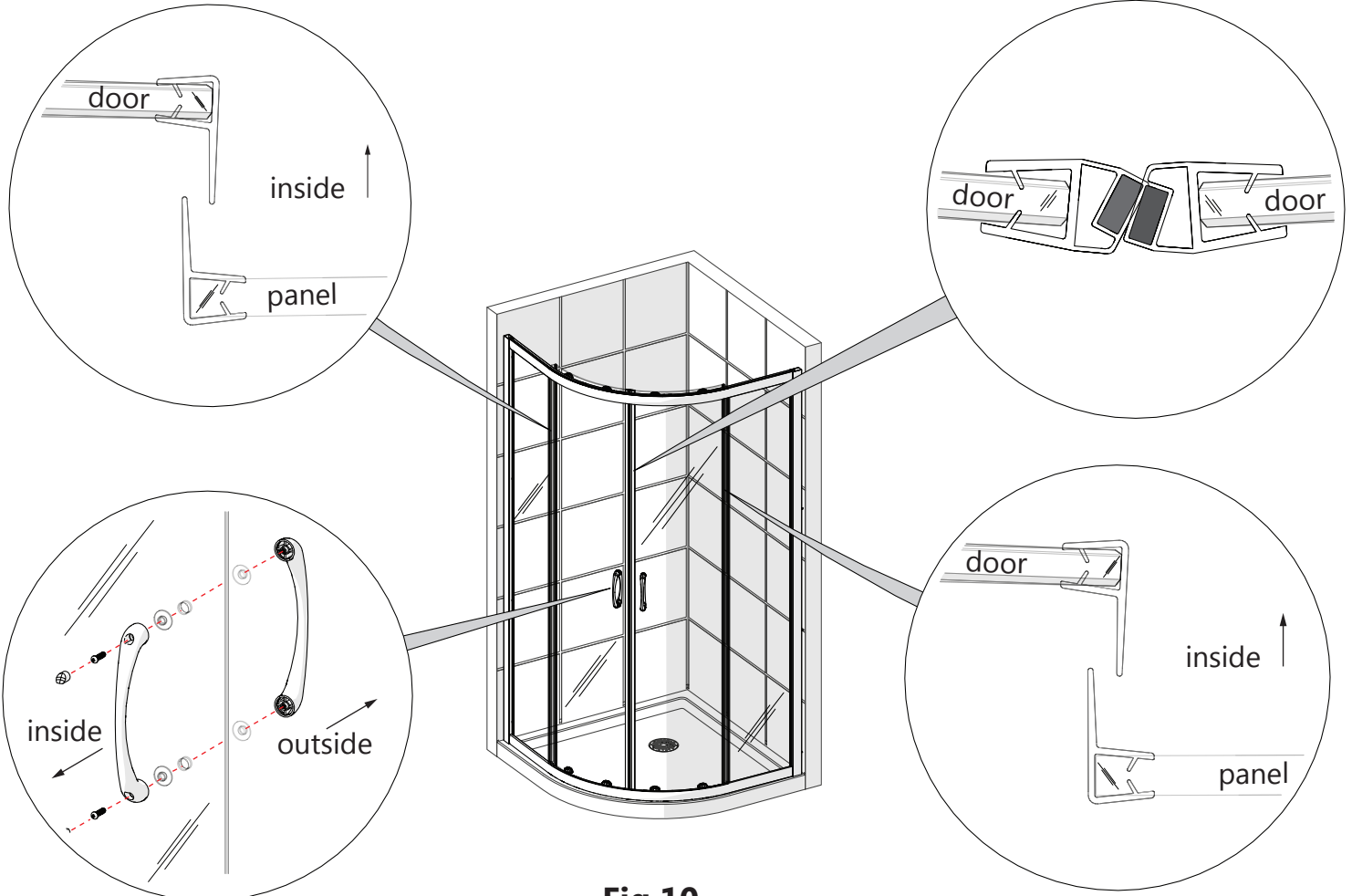
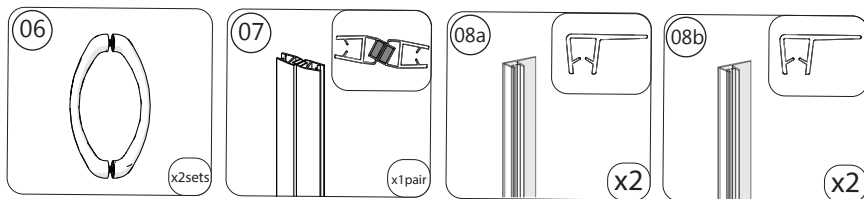
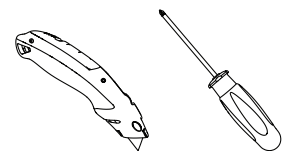


Fig 10

### Parts Needed



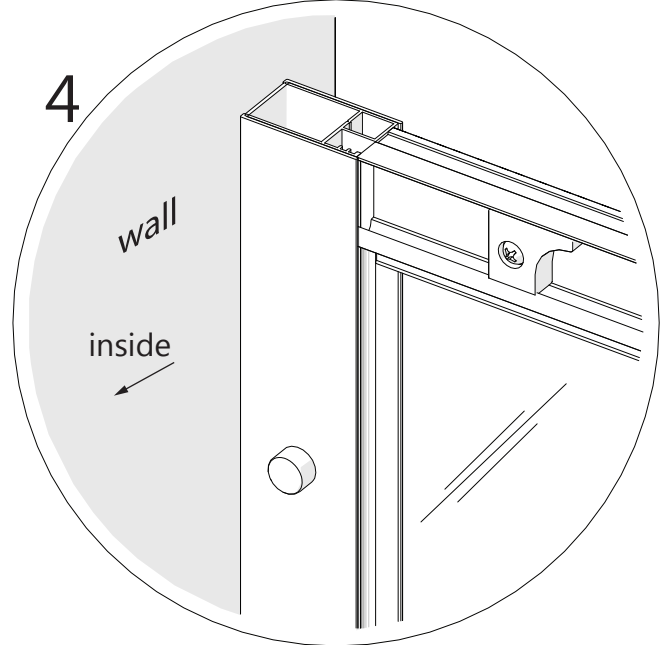
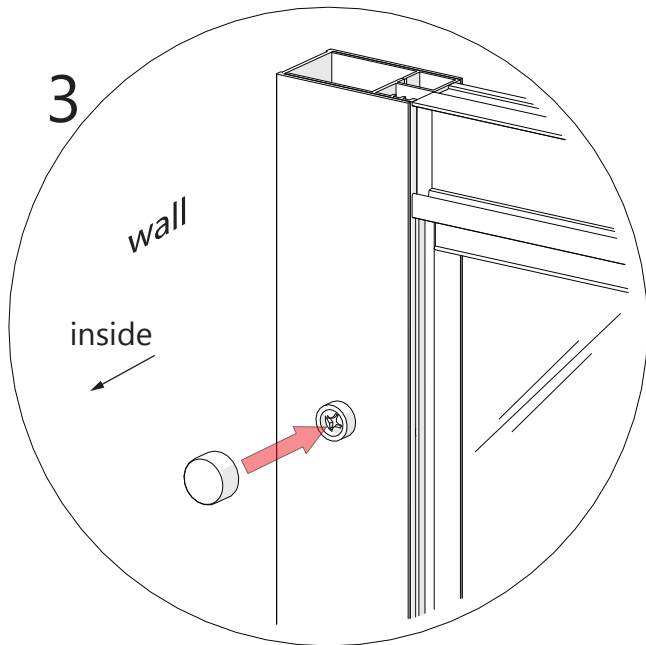
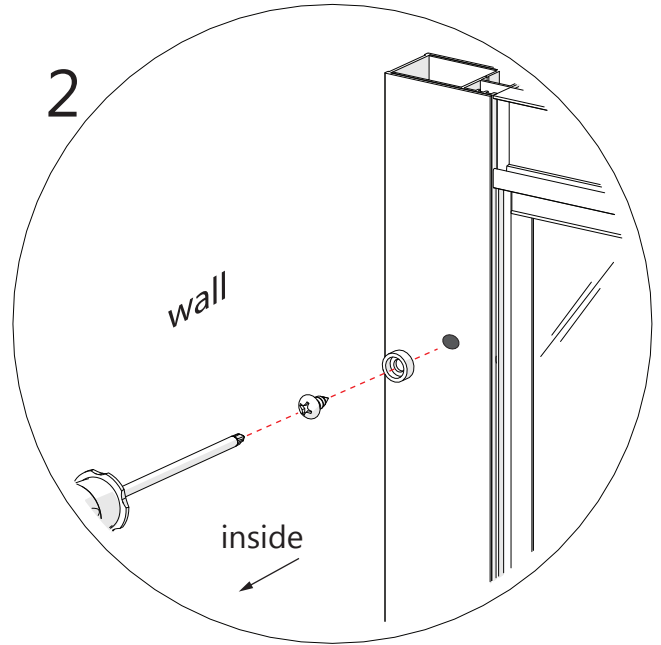
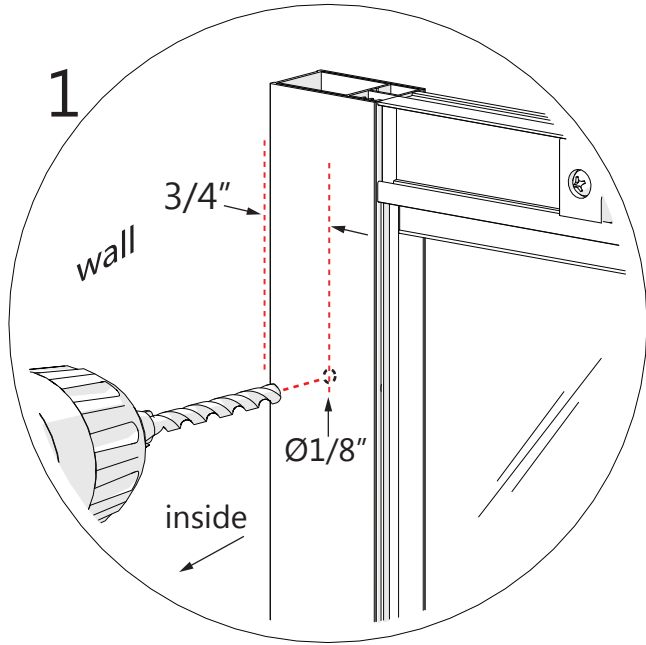
### Tools Needed



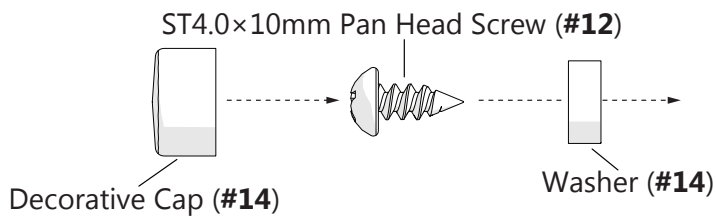
**11**



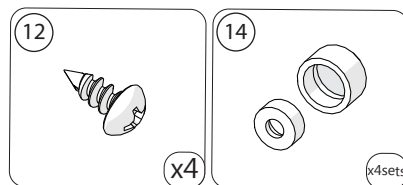
**DO NOT** drill the profiles throughout, **ONLY** through the first layer of the Wall Profile (#01) and Glass Profile (#02).



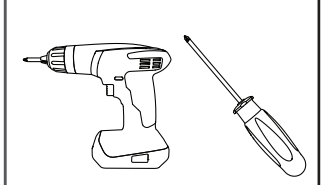
**Fig 11**



**Parts Needed**



**Tools Needed**



**12**

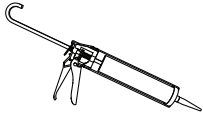


**The surfaces need to be clean and free of debris before applying silicone.**



**Fig 12**

**Tools Needed**



**Allow 24 hours for the silicone caulk to cure before using shower.**

# Product Maintenance

**BASES and BACKWALLS:** To ensure long lasting life for your acrylic back walls: wipe them off after each use with a soft cloth. To clean the acrylic back walls use non-abrasive sprays or cream based cleaners. Avoid the use of aerosol spray cleaners. Never use abrasive cleansers, metal brushes or scrapers that could permanently scratch or dull the surface.

**GLASS:** To ensure long lasting life for your glass shower products: wipe them off after each use with a soft cloth. Rinse and wipe off the glass using either a soft cloth or a squeegee to prevent soap buildup and water spots (Hard water can etch the surface of the glass over time if left to dry). To prevent scratching the surface: never use abrasive cleaners or cleaning products that contain scouring agents. Never use bristle brushes or abrasive sponges that may scratch the surface of the glass.

**HARDWARE:** To ensure a long lasting finish: wipe off all metal parts after each use with a soft cloth. Do not use abrasive cleaners or cleaning products containing ammonia, bleach or acid. If accidentally used, rinse the surface as soon as possible to prevent damage to the finish (peeling or corrosion). After cleaning the polished finishes, rinse thoroughly and wipe dry with a soft clean-cloth.

Clean stainless steel surfaces at least once a week. When applying stainless steel cleaner or polish to stainless steel hardware, work with the grain (not across the grain). Never use an abrasive sponge or cloth, steel wool or wired brush as these may permanently scratch the surfaces.



**To maximize the life of your door, it is important to regularly inspect the glass and other hardware for misalignment, proper attachment, and/or damage. Contact DreamLine® with any questions or concerns.**

## **PRIME Maintenance Checklist**

### **Maintenance Checklist**

- Inspect the Roller Assemblies; tighten if necessary
- Test operation of the doors; adjust rollers if necessary for smooth operation
- Inspect Handles; tighten if necessary
- Inspect glass clips; tighten if necessary
- Inspect and replace damaged or missing Vinyl Seals.
- Remove Vinyl Seals to inspect the edges of the glass for concealed damage.  
**Damaged glass must be replaced!**
- Inspect silicone application. Repalce as necessary to prevent leakage. (refer to the manufacture's recommendations on the proper application of their product).

# Troubleshooting

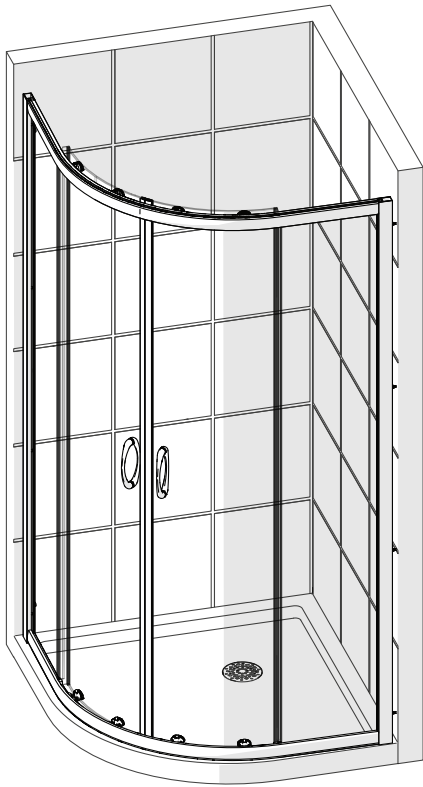
Problem/Symptom	Suggested Solution
Missing Parts	<ul style="list-style-type: none"> <li>•Check all shipping/packaging material for missing parts/components.</li> <li>•If not found, contact DreamLine Customer Support [1-855-831-2126] to order factory part replacement.</li> </ul>
<b>Magnetic Strike Vinyl (#07)</b> is not creating a tight seal.	<ul style="list-style-type: none"> <li>•Inspect the <b>Magnetic Vinyl Seal (#07)</b> for proper installation so that the magnets attract and create a tight seal.</li> <li>•See Step 10 for an image of the correct installation method.</li> </ul>
Water Leakage: underneath <b>Bottom Guide Rail (#03)</b>	<ul style="list-style-type: none"> <li>•Make certain that the bottom rail is tight to the threshold and that silicone is creating a seal along the entire length of the bottom rail.</li> <li>•If the bottom rail is not making contact with the threshold, it may be necessary to redo Steps 4-5 to create a better seal.</li> </ul>
Water Leakage: <b>Inline Panel/Door Glass (#05/04)</b>	<ul style="list-style-type: none"> <li>•Starting from the bottom, confirm that the <b>Push-in Glazing Vinyl (#09)</b> is correctly inserted into the glass profile. [see Fig 7]</li> <li>•If possible, direct the flow of water away from the area.</li> </ul>
<b>Door Glass (#04)</b> is not rolling smoothly/closing tightly.	<ul style="list-style-type: none"> <li>•Use a #2 phillips screwdriver to evenly adjust the <b>Top Wheel Assemblies (#17a)</b> until the <b>Door Glass (#04)</b> rolls smoothly and tightly closes. [see Fig 9.4]</li> <li>•The top wheel assemblies for both doors will need to be adjusted so that the magnetic vinyls will create a tight seal when the doors are closed.</li> </ul>
<b>Inline Panel Glass (#05)</b> shakes/rattles while in operation.	<ul style="list-style-type: none"> <li>•Starting from the bottom, confirm that the <b>Push-in Glazing Vinyl (#09)</b> is installed tightly between the <b>Inline Panel Glass (#05)</b> and <b>Glass Profile (#02)</b>.</li> <li>•Inspect the <b>Glass Clips (#16)</b> for correct installation and tighten if necessary. [see Step 7]</li> </ul>

Prior to contacting DreamLine® Customer Service, please have the following information readily available:

- Purchase Order Information
- Name, PO Number, Dealer/Vendor Name, etc.
- SKU/Model Number (see Pages 23-25)
- Factory Part Information (see Pages 23-25)



## Factory Parts Information



**PRIME 31x31**  
SHEN-7031310

PRIME 31x31 SHEN-7031310		FACTORY PARTS INFORMATION	
ITEM #	FACTORY PART NUMBER	ITEM DESCRIPTION	QTY
01	041830 <b>1</b> 1-1830 / 041830 <b>4</b> 1-1830	Left or Right Wall Profile	2 pcs
02	040020 <b>1</b> 1-1830 / 040020 <b>4</b> 1-1830	Left or Right Glass Profile for 6mm (1/4in) Glass	2 pcs
03	040010 <b>1</b> 2-1280 / 040010 <b>4</b> 2-1280	Top or Bottom Guide Rail (curved)	2 pcs
---	07550009	Roller Stopper (pre-attached to #03)	8 pcs
---	092102	ST4.2 x 16mm Countersunk Screw (pre-attached to #03)	8 pcs
04	013021015 / 013021019	Door Glass (Clear / Frosted)	2 pcs
05	013021012 / 013021016	Inline Panel Glass (Clear / Frosted)	2 pcs
06	0724 <b>1</b> 001 / 0724 <b>4</b> 001	Back-to-Back Handle for 6mm (1/4in) Glass	2 sets
07	062002061-1813	Magnetic Strike Vinyl for 6mm (1/4in) Glass	1 pair
08a	063001060-1743	Vinyl Seal with a Flexible Fin for 6mm (1/4in) Glass (for panel)	2 pcs
08b	063001060-1814	Vinyl Seal with a Flexible Fin for 6mm (1/4in) Glass (for door)	2 pcs
09	060001000-1765	Push-in Glazing Vinyl for 6mm (1/4in) Glass	2 pcs
10	091131	ST4.0 x 55 Pan Head Screw	8 pcs
11	091104	ST4.0 x 25mm Pan Head Screw	8 pcs
12	091101	ST4.0 x 10mm Pan Head Screw	4 pcs
13	092102	ST4.2 x 16mm Countersunk Screw	4 pcs
14	0755 <b>1</b> 011 / 0755 <b>4</b> 011	Decorative Cover and Washer	4 sets
15	07550045	Wall Anchor 8mm (5/16in)	8 pcs
16	0755 <b>1</b> 014 / 0755 <b>4</b> 014	Glass Clip for 6mm (1/4in) Glass	4 pcs
17a	0734 <b>1</b> 010 / 0734 <b>4</b> 010	Double Roller Assembly (top) for 6mm (1/4in) Glass	4 pcs
17b	0734 <b>1</b> 011 / 0734 <b>4</b> 011	Double Roller Assembly (bottom) for 6mm (1/4in) Glass	4 pcs

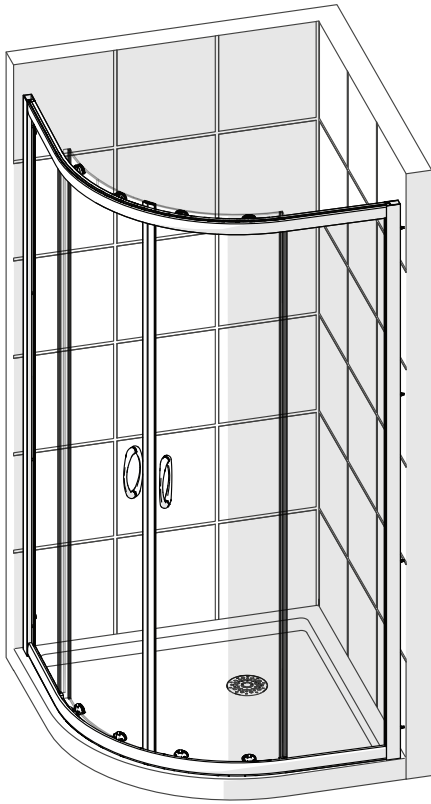
**BOLD** digit indicates finish color:

**1** = Chrome

**4** = Brushed Nickel

Contact [Support@DreamLine.com](mailto:Support@DreamLine.com) for Part replacement, installation assistance or additional information  
Complete **Warranty** information is available on [DreamLine.com](http://DreamLine.com)

## Factory Parts Information



**PRIME 34x34**  
SHEN-7034340

PRIME 34x34 SHEN-7034340		FACTORY PARTS INFORMATION	
ITEM #	FACTORY PART NUMBER	ITEM DESCRIPTION	QTY
01	041830 <b>1</b> 1-1830 / 041830 <b>4</b> 1-1830	Left or Right Wall Profile	2 pcs
02	040020 <b>1</b> 1-1830 / 040020 <b>4</b> 1-1830	Left or Right Glass Profile for 6mm (1/4in) Glass	2 pcs
03	040010 <b>1</b> 2-1432 / 040010 <b>4</b> 2-1432	Top or Bottom Guide Rail (curved)	2 pcs
---	07550009	Roller Stopper (pre-attached to #03)	8 pcs
---	092102	ST4.2 x 16mm Countersunk Screw (pre-attached to #03)	8 pcs
04	013021015 / 013021019	Door Glass (Clear / Frosted)	2 pcs
05	013021013 / 013021017	Inline Panel Glass (Clear / Frosted)	2 pcs
06	0724 <b>1</b> 001 / 0724 <b>4</b> 001	Back-to-Back Handle for 6mm (1/4in) Glass	2 sets
07	062002061-1813	Magnetic Strike Vinyl for 6mm (1/4in) Glass	1 pair
08a	063001060-1743	Vinyl Seal with a Flexible Fin for 6mm (1/4in) Glass (for panel)	2 pcs
08b	063001060-1814	Vinyl Seal with a Flexible Fin for 6mm (1/4in) Glass (for door)	2 pcs
09	060001000-1765	Push-in Glazing Vinyl for 6mm (1/4in) Glass	2 pcs
10	091131	ST4.0 x 55 Pan Head Screw	8 pcs
11	091104	ST4.0 x 25mm Pan Head Screw	8 pcs
12	091101	ST4.0 x 10mm Pan Head Screw	4 pcs
13	092102	ST4.2 x 16mm Countersunk Screw	4 pcs
14	0755 <b>1</b> 011 / 0755 <b>4</b> 011	Decorative Cover and Washer	4 sets
15	07550045	Wall Anchor 8mm (5/16in)	8 pcs
16	0755 <b>1</b> 014 / 0755 <b>4</b> 014	Glass Clip for 6mm (1/4in) Glass	4 pcs
17a	0734 <b>1</b> 010 / 0734 <b>4</b> 010	Double Roller Assembly (top) for 6mm (1/4in) Glass	4 pcs
17b	0734 <b>1</b> 011 / 0734 <b>4</b> 011	Double Roller Assembly (bottom) for 6mm (1/4in) Glass	4 pcs

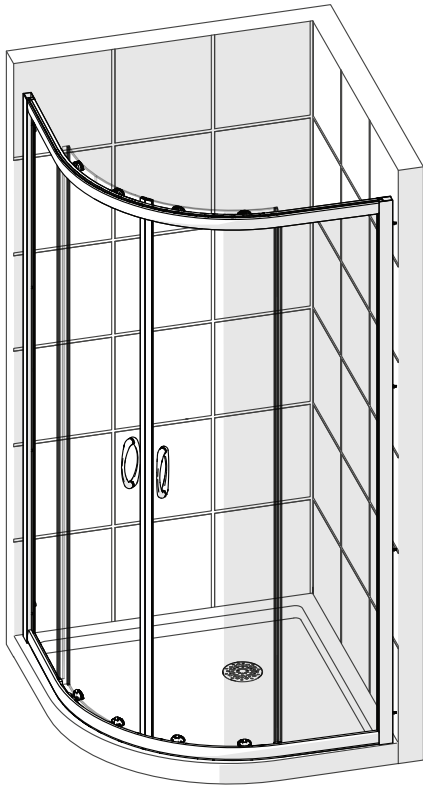
**BOLD** digit indicates finish color:

**1** = Chrome

**4** = Brushed Nickel

Contact [Support@DreamLine.com](mailto:Support@DreamLine.com) for Part replacement, installation assistance or additional information  
Complete **Warranty** information is available on [DreamLine.com](http://DreamLine.com)

## Factory Parts Information



**PRIME 36x36**  
SHEN-7036360

PRIME 36x36 SHEN-7036360		FACTORY PARTS INFORMATION	
ITEM #	FACTORY PART NUMBER	ITEM DESCRIPTION	QTY
01	041830 <b>1</b> 1-1830 / 041830 <b>4</b> 1-1830	Left or Right Wall Profile	2 pcs
02	040020 <b>1</b> 1-1830 / 040020 <b>4</b> 1-1830	Left or Right Glass Profile for 6mm (1/4in) Glass	2 pcs
03	040010 <b>1</b> 2-1534 / 040010 <b>4</b> 2-1534	Top or Bottom Guide Rail (curved)	2 pcs
---	07550009	Roller Stopper (pre-attached to #03)	8 pcs
---	092102	ST4.2 x 16mm Countersunk Screw (pre-attached to #03)	8 pcs
04	013021015 / 013021019	Door Glass (Clear / Frosted)	2 pcs
05	013021014 / 013021018	Inline Panel Glass (Clear / Frosted)	2 pcs
06	0724 <b>1</b> 001 / 0724 <b>4</b> 001	Back-to-Back Handle for 6mm (1/4in) Glass	2 sets
07	062002061-1813	Magnetic Strike Vinyl for 6mm (1/4in) Glass	1 pair
08a	063001060-1743	Vinyl Seal with a Flexible Fin for 6mm (1/4in) Glass (for panel)	2 pcs
08b	063001060-1814	Vinyl Seal with a Flexible Fin for 6mm (1/4in) Glass (for door)	2 pcs
09	060001000-1765	Push-in Glazing Vinyl for 6mm (1/4in) Glass	2 pcs
10	091131	ST4.0x55mm Pan Head Screw	8 pcs
11	091104	ST4.0 x 25mm Pan Head Screw	8 pcs
12	091101	ST4.0 x 10mm Pan Head Screw	4 pcs
13	092102	ST4.2 x 16mm Countersunk Screw	4 pcs
14	0755 <b>1</b> 011 / 0755 <b>4</b> 011	Decorative Cover and Washer	4 sets
15	07550045	Wall Anchor 8mm (5/16in)	8 pcs
16	0755 <b>1</b> 014 / 0755 <b>4</b> 014	Glass Clip for 6mm (1/4in) Glass	4 pcs
17a	0734 <b>1</b> 010 / 0734 <b>4</b> 010	Double Roller Assembly (top) for 6mm (1/4in) Glass	4 pcs
17b	0734 <b>1</b> 011 / 0734 <b>4</b> 011	Double Roller Assembly (bottom) for 6mm (1/4in) Glass	4 pcs

**BOLD** digit indicates finish color:

**1** = Chrome

**4** = Brushed Nickel

Contact [Support@DreamLine.com](mailto:Support@DreamLine.com) for Part replacement, installation assistance or additional information  
Complete **Warranty** information is available on [DreamLine.com](http://DreamLine.com)



TEL: 866-731-2244  
FAX: 866-857-3638  
DREAMLINE.COM



For more information on DreamLine® Shower Doors and Enclosures please visit **DreamLine.com**