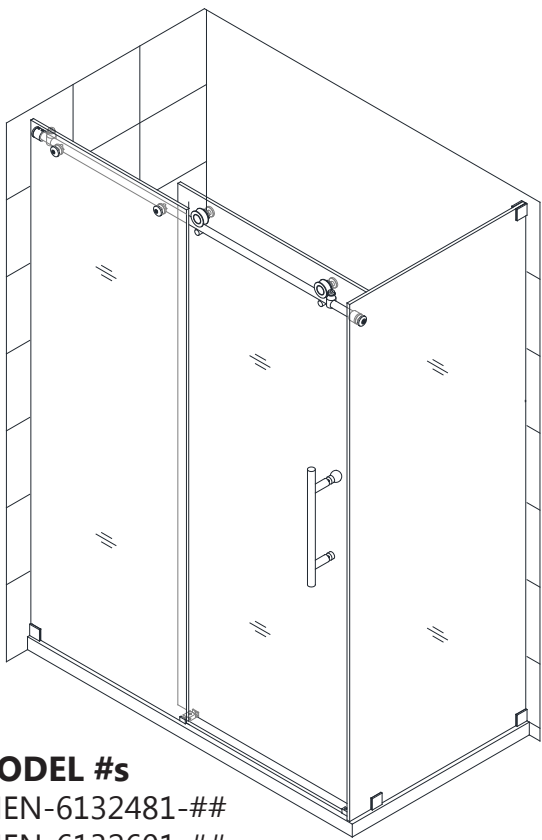


ENIGMA-X ENCLOSURE

SHOWER ENCLOSURE INSTALLATION INSTRUCTIONS

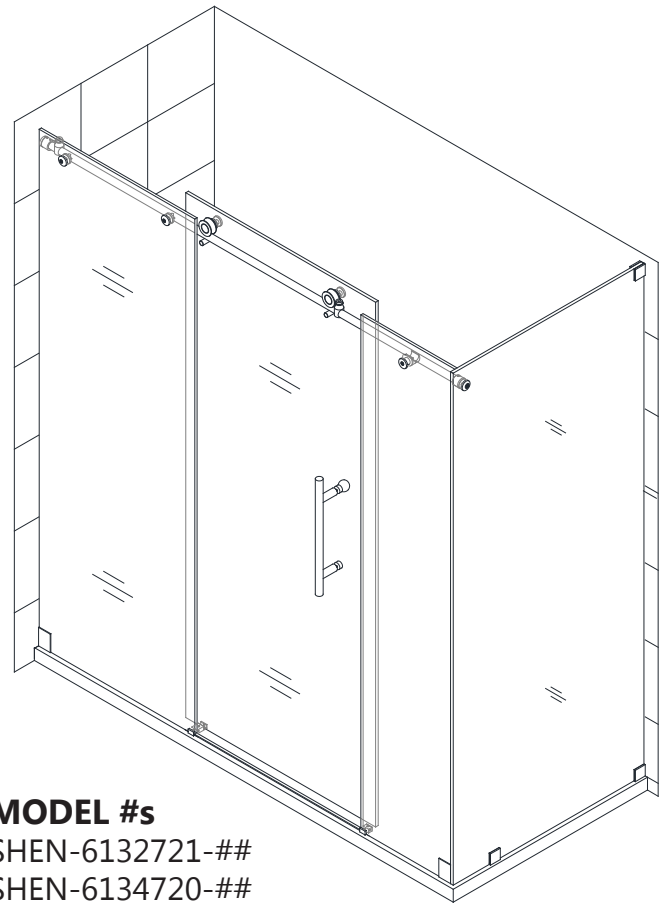
IMPORTANT

DreamLine[®] reserves the right to alter, modify or redesign products at any time without prior notice. For the latest up-to-date technical drawings, manuals, warranty information or additional details please refer to your model's web page on **DreamLine.com**



MODEL #s

SHEN-6132481-##
SHEN-6132601-##
SHEN-6134480-##
SHEN-6134600-##



MODEL #s

SHEN-6132721-##
SHEN-6134720-##

##=finish
07- Brushed Stainless Steel
08- Polished Stainless Steel
18- Tuxedo

Right Hand Return panel installation shown



Questions?

Please Call **DreamLine Customer Support: 1-855-831-2126**
Hours of Operation M-F 8AM - 7PM EST and Saturday 9AM - 5PM EST

Support@DreamLine.com



For more information about DreamLine[®] Shower Doors & Tub Doors please visit **DreamLine.com**

Table of Contents

Section title	Page #
Important Information	3
Reinforcement Information	4
Preparation	5
Tools	6
Detailed Diagram of Shower Door Components	7-8
Shower Enclosure Plan (Measurements)	9-10
Installation Steps	11-32
Installation of Guide Block	20
Guide Rail Bracket Adjustment	22
Installation of Roller Guards	27
Bumper Installation	28-29
Vinyl Seals	30
Installation of Door Stoppers	31
Roller Adjustment Procedure	33
Product Maintenance and checklist	34



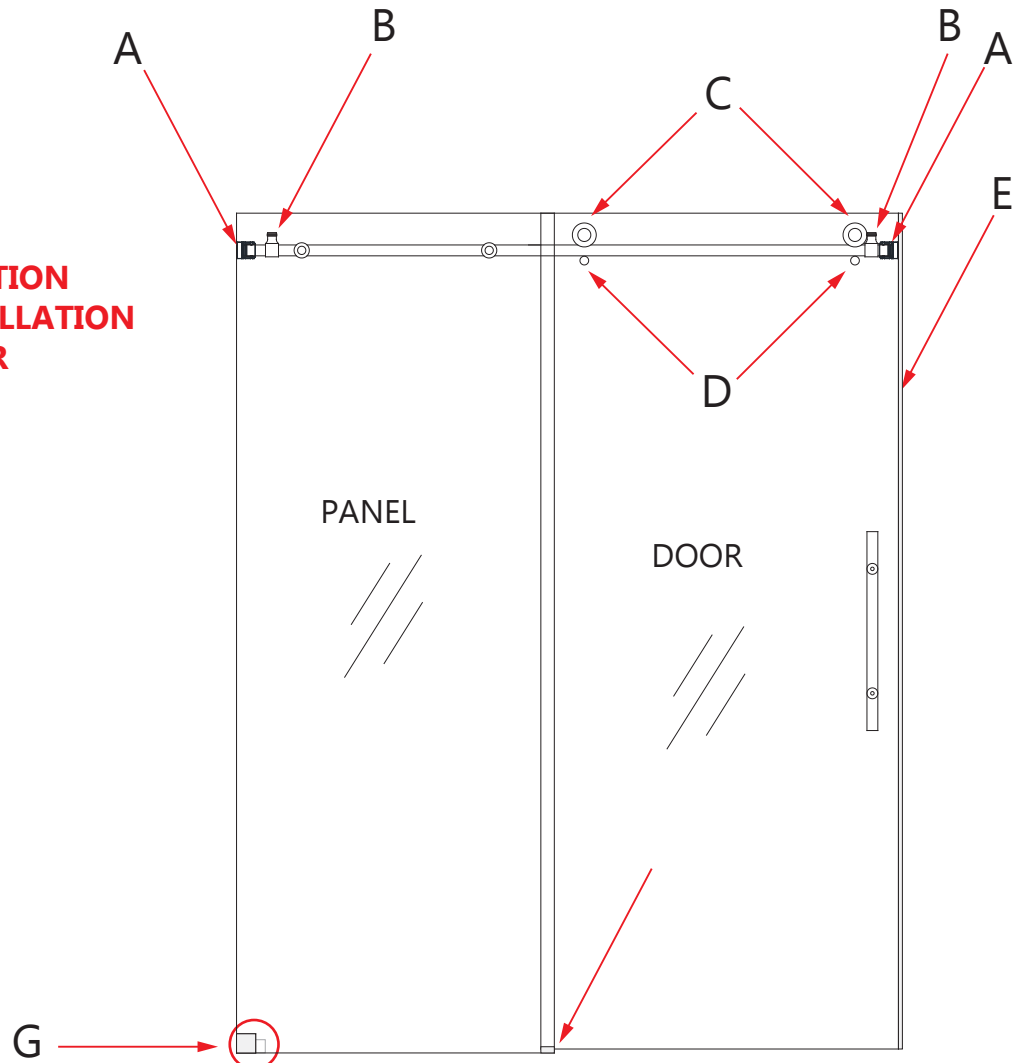
This model is treated with DreamLine's exclusive ClearMax™ Glass technology. This is a specially formulated coating that prevents the build up of soap and water spots.

Install the surface with the ClearMax™ label towards the inside of the shower. Please note that depending on the model, the glass may be coated on either one or both surfaces.

For best results, squeegee the glass after each use and dry with a soft cloth.



**IMPORTANT INFORMATION
REGARDING THE INSTALLATION
OF THIS SHOWER DOOR**



Right hand door installation shown as an example

A **Guide Rail Brackets** must be firmly attached to the wall. **Installation into a stud is strongly recommended.** All of the guide rail bracket set screws must be tightened.

B **Thread Lock** must be applied to both stopper set screws. **Panel-side stopper must be installed into the pre-drilled stopper hole in the upper guide rail.** **Door-side stopper must be installed at the proper position to stop the door from contacting the wall.**

C **Roller Wheel Safety Set Screws** must be re-tightened after installation. **Apply Thread lock.**

D **Roller Guards** must be positioned and secured within 1/16" of Upper Guide Rail. **Apply thread lock.**

E **Bumper Vinyl Seal** must be installed on the closing edge of the door glass

F **The Guide Block** must be screwed to the threshold and installed square to the panel glass and door glass. Installing the guide block crooked may damage the bottom edge of the door glass and lead to breakage.

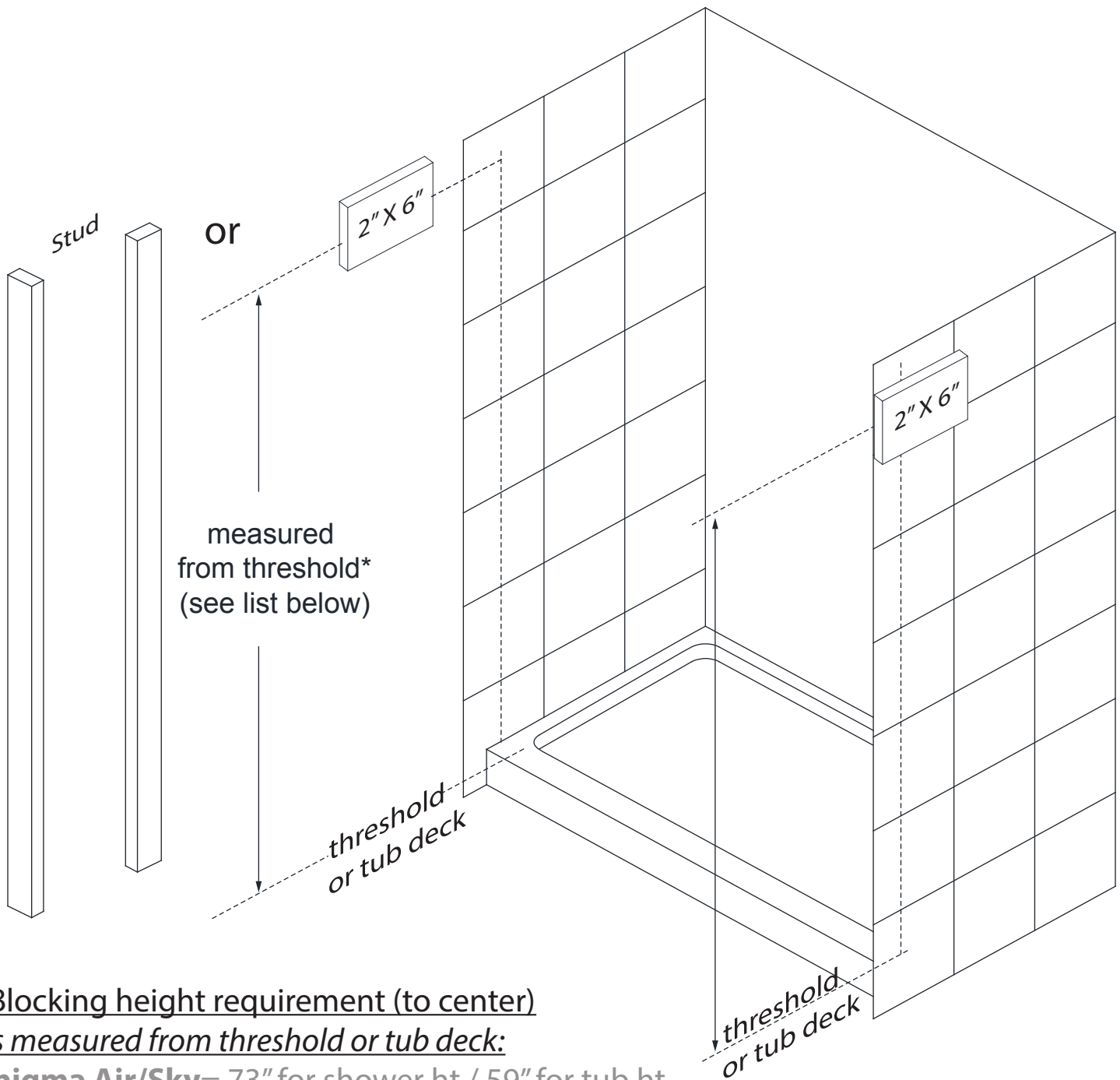
G **Bumper** is secured in position with 3M tape or screwed to the wall.

PLEASE READ THE ENCLOSED INSTALLATION MANUAL FOR DETAILS REGARDING PROPER INSTALLATION.

THE LATEST VERSION OF THE INSTALLATION MANUAL IS AVAILABLE TO VIEW OR PRINT ON DREAMLINE.COM

Reinforcement for Enigma Series Heavy Glass frameless sliding shower door

Install studs OR install 2"x 6" wood blocking between the studs where the Guide Rail Brackets will attach to the wall



*Blocking height requirement (to center)

as measured from threshold or tub deck:

Enigma Air/Sky = 73" for shower ht / 59" for tub ht

Enigma X/XO = 72-1/2" for shower ht / 58-1/2" for tub ht

Enigma Z = 73-1/2" for shower ht / 59-1/2" for tub ht

Enigma = 75-1/2" for shower ht only

Preparation

1. After opening all boxes and packages, read this introduction carefully. Check that all of the needed parts are included in the package by marking all the components on the “**Detailed Diagram of Shower Door Components**”. Examine boxes and packages for shipping damage. If the unit has been damaged, has a finishing defect, or has missing parts, please contact our customer support department within **3 business days** of the delivery date. **Please note that DreamLine® will not replace any damaged products or missing parts free of charge after 3 business days or if the product has been installed.** Please contact DreamLine® if you have any questions.
2. Please note that you should consult your local building codes with questions on installation compliance standards. Building and plumbing codes may vary by location, and **DreamLine® is not responsible for code compliance standards for your project and will not accept any returns.**
3. If this unit is going to be installed in a new construction, install all of the required plumbing and drainage before installing the shower. **Use a competent and licensed (if required by local code) plumber for all plumbing installation.**
4. Make sure that prior to beginning the installation, the surfaces are leveled and solid and will be able to support the total weight of the unit. Also make sure the walls are at right angles. Irregular installation surface level, radius corners or improper angle of side walls will result in serious problems for your installation. Please note that some adjustments and drilling might be necessary during the installation process.
5. Protect all primary surfaces of the product during installation. Never set your glass down directly onto a tile floor. Leave corner protectors in place until necessary to remove them. Always use a piece of wood or cardboard to protect the bottom edge and corners of the glass prior to and during installation.
6. This unit must be installed upon a finished threshold and against finished walls.
7. **NOTE!** This door does not have out-of-plumb adjustment. Make sure your walls are at right angles.
8. This door requires a minimum **2-3/4"** of flat threshold space for installation.
9. **Note:** The installation of this unit requires that you drill down into the threshold.
10. **Please note that Step #16 has an option for installing the guide rail brackets to the wall using anchors. However, the manufacturer strongly recommends installing these heavy doors to the studs or to pre-installed 2"x 6" wood reinforcements behind the wall in the area where the guide rail brackets will be attached to the wall.**



Attention: This door is extremely heavy and requires professional installation. Two installers recommended.



Do Not hang or drape a towel or wash cloth over the Enigma series guide rail as this may cause the roller wheels to get stuck and possibly cause serious damage or injury.

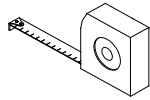


NOTE: DO NOT attach the handle to the door glass until instructed to do so. **DO NOT** attempt to lift the door glass with the handle as this may result in damage to the glass and/or serious personal injury. Use a professional grade glass suction cup and an assistant.

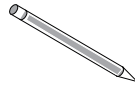
Tools



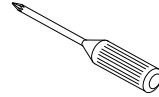
Level



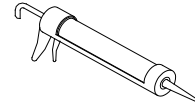
Tape Measure



Pencil



Phillips Screwdriver



Silicone



Power Drill



Drill bit
($\text{\O} = 1/8''$)
(3mm)



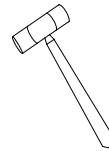
Drill bit
($\text{\O} = 1/4''$)
(6mm)



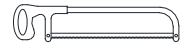
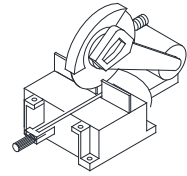
Drill bit
($\text{\O} = 5/16''$)
(8mm)



Drill bit
($\text{\O} = 3/8''$)
(10mm)



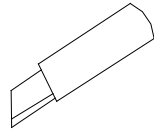
Hammer



Chop saw and Hacksaw



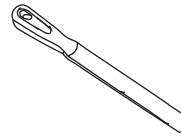
Painter's Tape



Razor Knife



Extender driver bit



Metal File

NOTE: The Enigma Series doors and enclosures are reversible for left or right hand installation. This manual will show the right hand door installation. For a left hand installation, simply begin on the opposite wall and reverse the orientation of the parts as necessary.

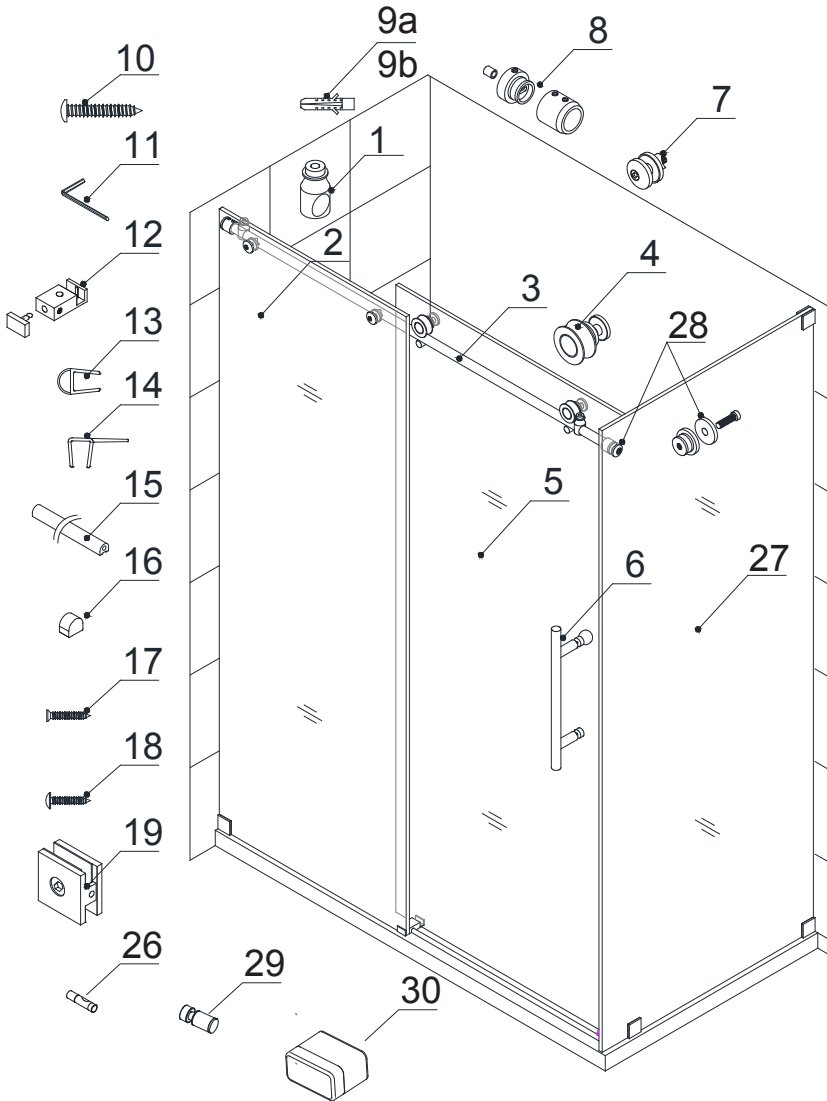
Tip: Measure the finished opening before proceeding with the installation to be sure that the correct model size has been ordered.

Be sure to cover the shower drain to prevent losing small parts.

NOTE: Unpack your unit carefully and inspect it. Lay it out and identify all parts using the detailed diagram and packing list in this manual as a reference. Before discarding the carton, check for small hardware bags that may have fallen to the bottom of the box. If any parts are damaged or missing, please contact DreamLine® for replacement. The shipping boxes may contain extra parts not used in your model configuration.

NOTE: Retain these installation instructions for future reference.

Detailed Diagram of shower door components



MODEL #s

SHEN-6132481-##
 SHEN-6132601-##
 SHEN-6134480-##
 SHEN-6134600-##

##=finish

07- Brushed Stainless Steel
 08- Polished Stainless Steel



**The glass surface
 with the ClearMax™
 label must be
 installed facing the
 inside of the shower**

Parts List

Part#	DESCRIPTION	Qty	Part#	DESCRIPTION	Qty
01	Door stopper	2pcs	13	Bumper strip **	1pc
02	Stationary glass	1pc	14	Anti-water strip	2pcs
03	Upper Guide rail	1pc	15	Anti-splash guard	1pc
04	Roller	2pcs	16	Anti-splash guard cap**	1pc
05	Door Glass	1pc	17	ST4.2x40 Countersunk screw	3pcs
06	Handle	1pc	18	ST4.2x55 Truss Head screw	3pcs
07	Glass bracket	2pcs	19	Wall bracket	4pcs
08	Guide rail bracket	2pcs	26	Thread Lock adhesive	1pc
9a	Wall anchor Ø 3/8"(10mm)	1pc	27	Return panel	1pc
9b	Wall anchor Ø 5/16"(8mm)	4pcs	28	Glass Connector	1pc
10	Large Truss Head Screw ST6x55	1pc	29	Roller Guard	2pcs
11	Allen Wrench 3,4,5 mm	1set	30	Bumper	1pc
12	Guide block (with caps)	1pc			

** not used with the 72" configuration

Detailed Diagram of shower door components

MODEL #s

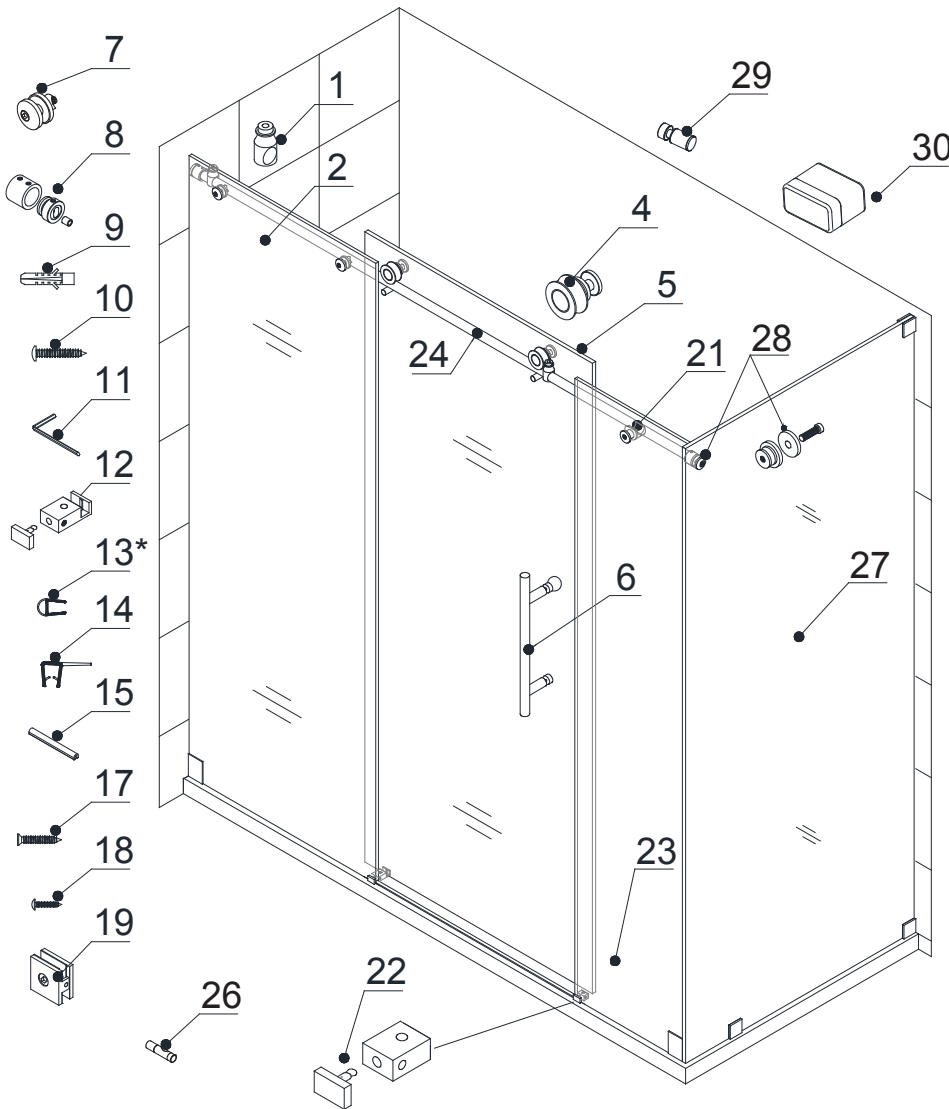
SHEN-6132721-##

SHEN-6134720-##

##=finish

07- Brushed Stainless Steel

08- Polished Stainless Steel



**The glass surface
with the ClearMax™
label must be
installed facing the
inside of the shower**

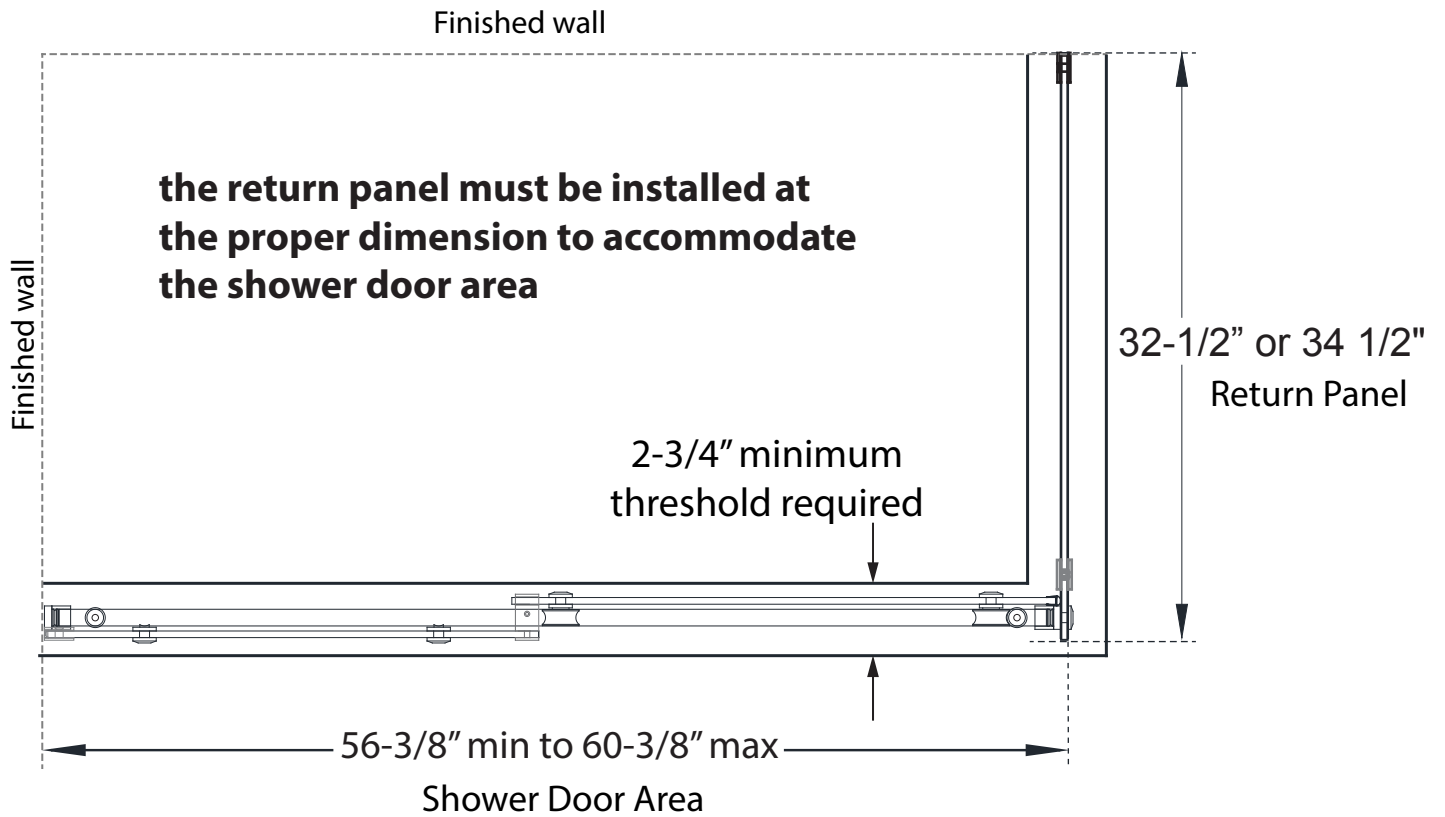
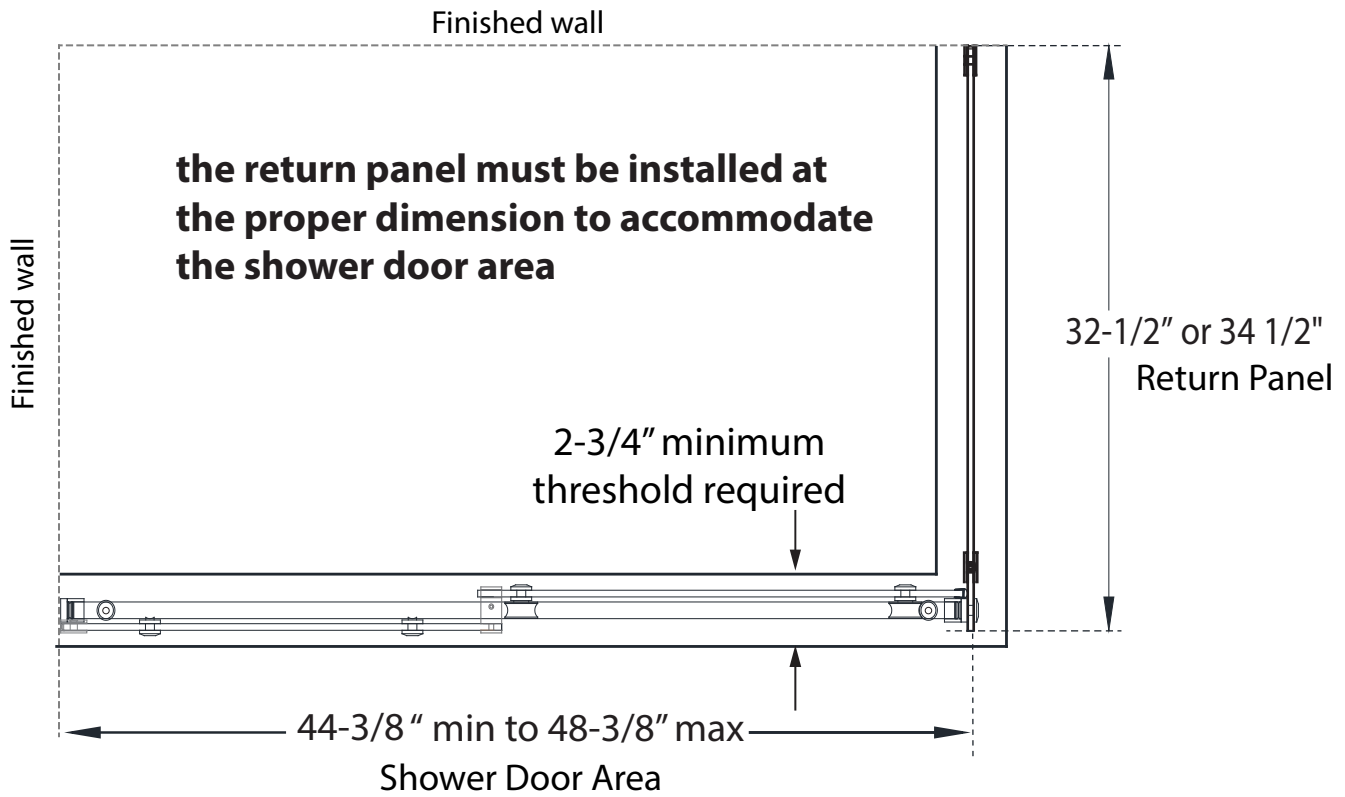
Parts List

Part#	DESCRIPTION	Qty	Part#	DESCRIPTION	Qty
01	Door stopper	2pcs	15	Anti-splash guard	1pc
02	Stationary glass	1pc	16	Anti-splash guard cap**	1pc
04	Roller	2pcs	17	ST4.2x40 Countersunk screw	4pcs
05	Door Glass	1pc	18	ST4.2x55 Truss Head screw	3pcs
06	Handle	1pc	19	Wall bracket	5pcs
07	Glass bracket	2pcs	21	Small stationary glass bracket	1pc
08	Guide rail bracket	2pcs	22	Small stationary glass Bottom bracket	1pc
9a	Wall anchor Ø 3/8"(10mm)	1pc	23	Small stationary glass	1pc
9b	Wall anchor Ø 5/16"(8mm)	4pcs	24	Upper Guide rail (for 72")	1pc
10	Large Truss Head Screw ST6x55	1pc	26	Thread Lock adhesive	1pc
11	Allen Wrench 3,4,5 mm	1set	27	Return panel	1pc
12	Guide block (with caps)	1pc	28	Glass Connector	1pc
13	Bumper strip**	1pc	29	Roller Guard	2pcs
14	Anti-water strip	3pcs	30	Bumper	1pc

** not used with the 72" configuration

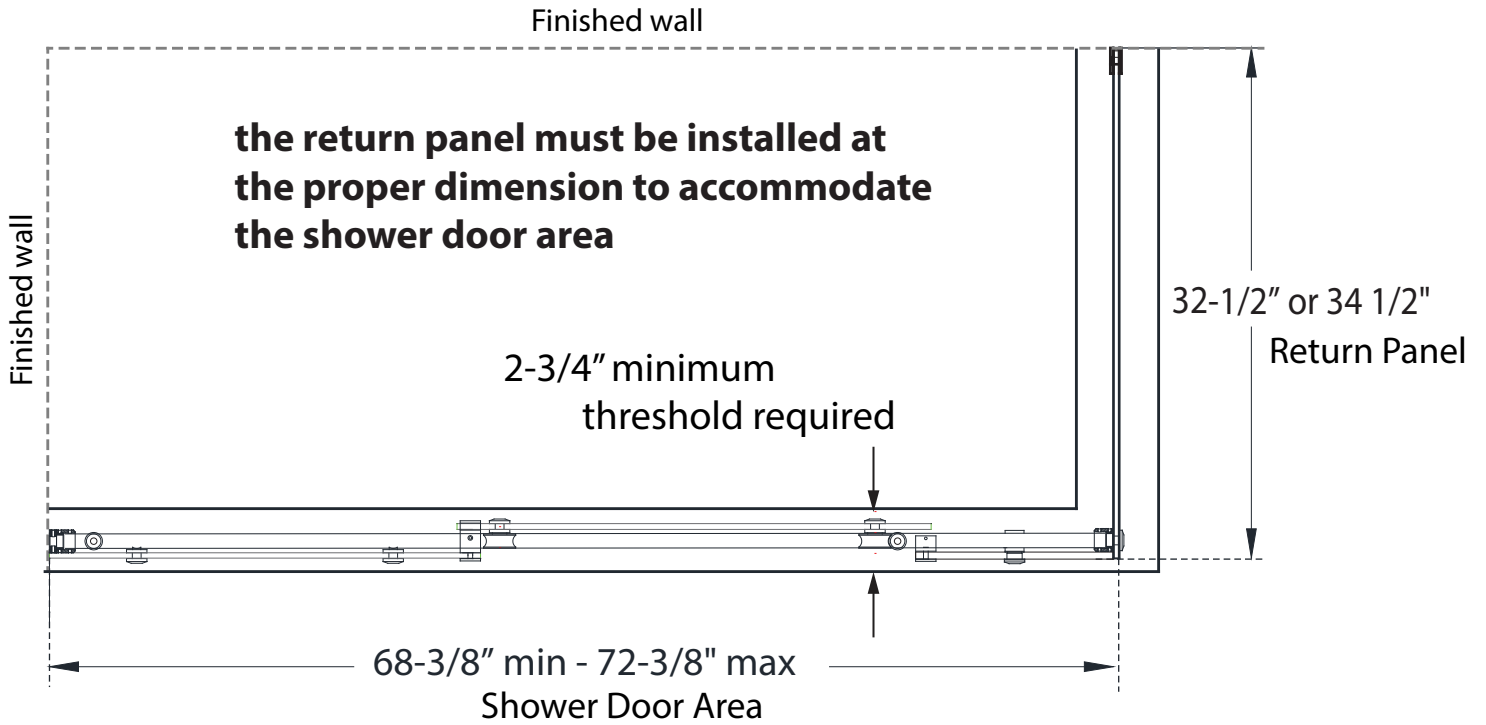
SHOWER ENCLOSURE PLAN

Overall outside dimensions shown for the installed enclosure



SHOWER ENCLOSURE PLAN

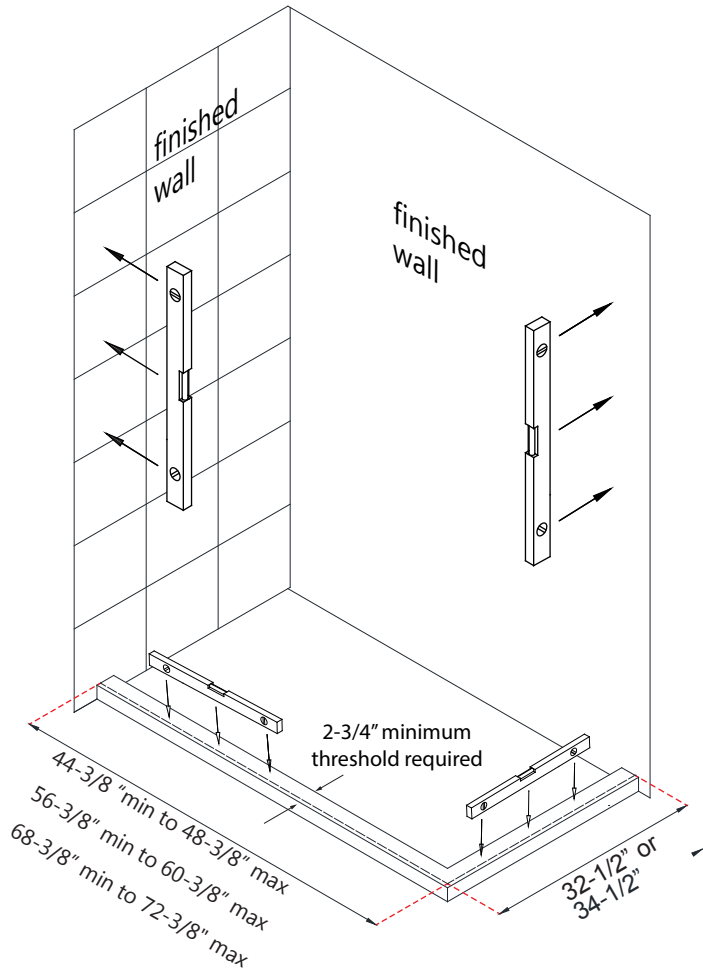
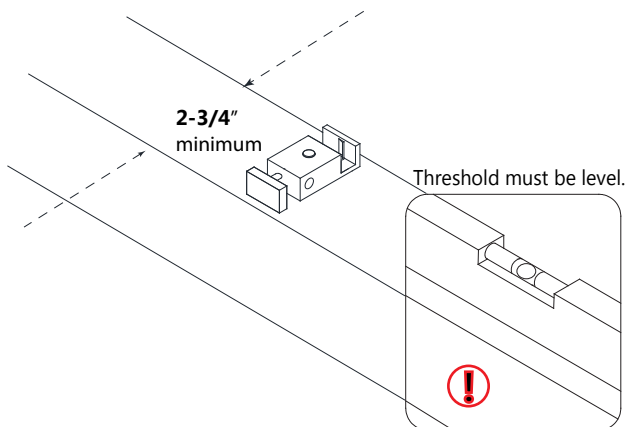
Overall outside dimensions shown for the installed enclosure



When constructing or installing a shower base, consider how **the thickness of the wall treatment (wallboard, tile, etc.)** will affect where the shower enclosure will sit on the threshold. Compare the overall outside dimensions of the shower enclosure model size as shown on the "Shower Enclosure Plan" with the finished threshold before proceeding with the installation.



Note: The minimum threshold requirement for the ENIGMA-X is **2-3/4" of flat threshold space**.



outside dimensions of installed enclosure

Installation steps

1. Attach the three **Wall Brackets (#19)** to the **Return Panel (#27)**. The bolt side of the **Wall Bracket (#19)** must face inside the shower. **(Fig 1)**

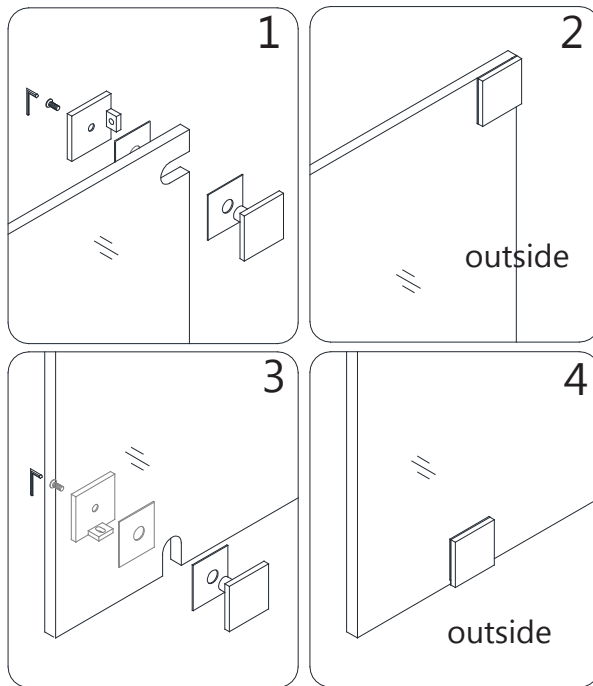


Fig 1

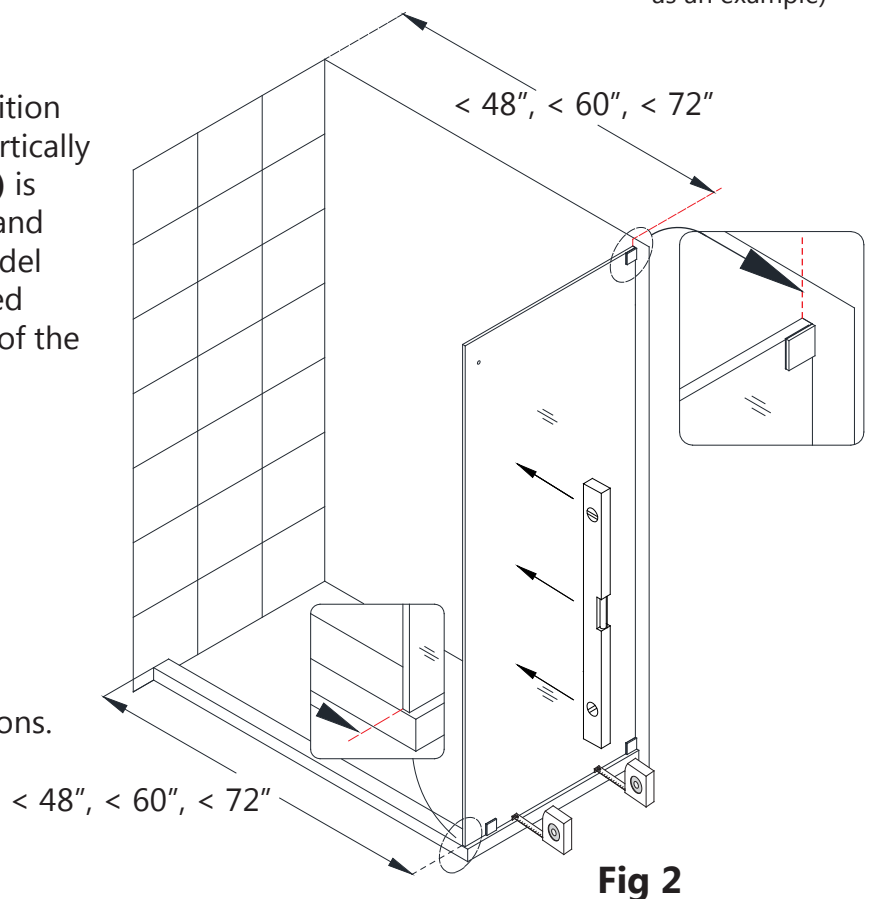


2. Place the **Return Panel (#27)** on the pre-installed shower base or threshold. Position the panel up against the wall and level it vertically (plumb). Make sure the **Return Panel (#27)** is aligned with the shower base or threshold and will create an opening that is within the model dimensions of the door section (as measured from the finished wall to the inside surface of the return panel glass). **(Fig 2)**

Return panel placement depends on the model size purchased:

- <48" (SHEN-6134480) or
- <60" (SHEN-6134600) or
- <72" (SHEN-6134720)

See the "Shower Enclosure Plan" on pages **9 and 10** for overall outside dimensions.



3. Outline the position of the **Wall Brackets (#19)** on the wall and the shower base or threshold. Carefully set the **Return Panel (#27)** aside. Remove the **Wall Brackets (#19)** from the **Return Panel (#27)**. Place the brackets against the outlined positions and mark the holes on the wall and threshold for drilling. **(Fig 3)**

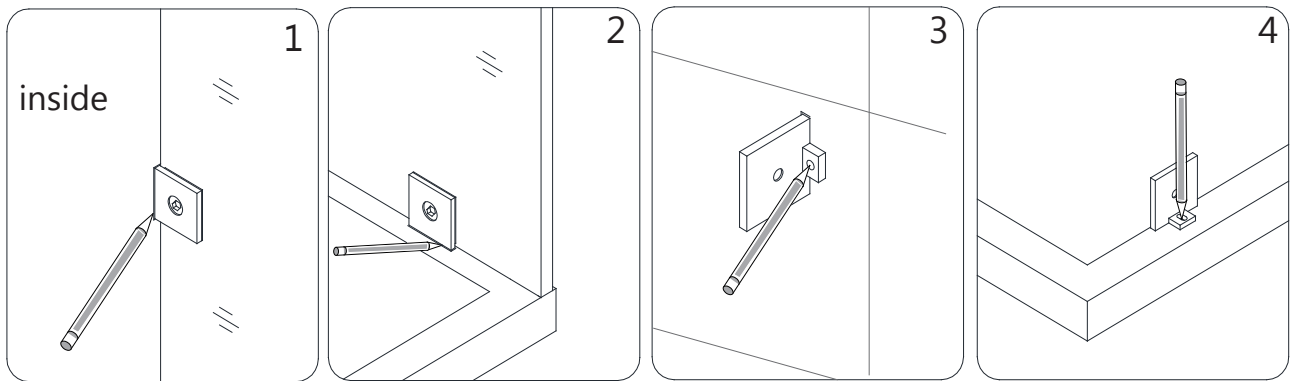


Fig 3

4. Drill the holes in the wall using a $\text{Ø}5/16''$ drill bit and insert the **Wall Anchors (#9b)** for two of the **Wall Brackets (#19)**. Mount the **Wall Brackets (#19)** to the wall using the **Round Head Screw ST4.2x55 (#18)**.

*Drill a hole into the threshold using a $\text{Ø}1/8''$ drill bit for an acrylic base (or $\text{Ø}5/16''$ and an anchor for tile) and mount the remaining **Wall Bracket (#19)** to the threshold using the **ST4.2x40 Countersunk screw (#17)**. **(Fig 4)**

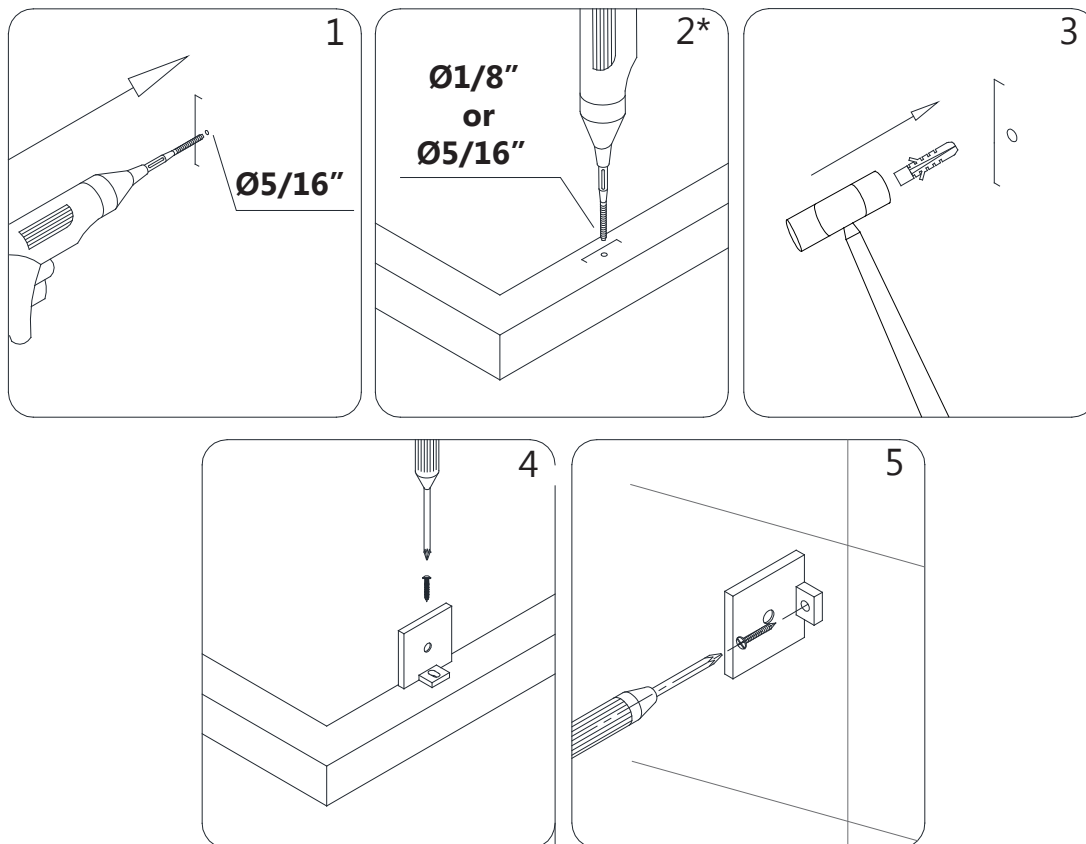


Fig 4

5. Place the **Return Panel (#27)** back in the designated position and assemble the **Wall Brackets (#19)** onto the glass. Use the provided bracket gaskets and sleeves to protect the glass. **(Fig 5)**

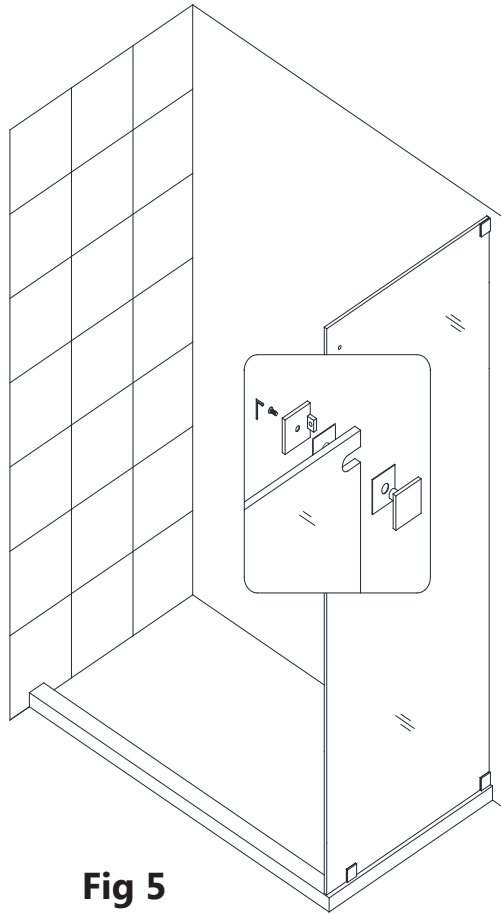


Fig 5

6. Measure the distance from the finished wall to the inside surface of the installed **Return Panel Glass (#27)**. This distance will represent the finished opening size "**W**" that will be used to calculate the finished cut dimension for the **Upper Guide Rail (#03)**. **(Fig 6)**

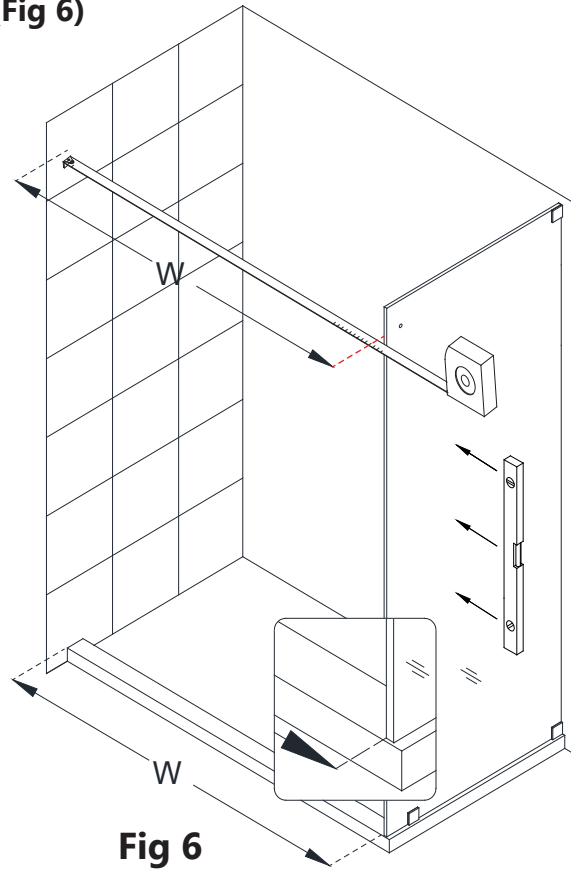


Fig 6

7. The **Upper Guide Rail (#03)** has been precut for the model width of 48", 60" or 72". **(Note: The actual rail is shorter than the model width by design).**

Cut the **Upper Guide Rail (#03)** from the door end only, which is the end that is farther from the **Glass Bracket (#07)** holes. Use a metal file to remove any burrs from the cut end. **(Fig 7)**

The length to cut off will be (**L**):
Model Width – opening W = cut off length (L)

FOR EXAMPLE

If the model width is 60" and the finished opening from the finished wall to the inside surface of the installed **Return Panel Glass (#27)** is 58", then you will need to cut 2" off from the door end of the Guide Rail. **Example:** 60" – 58" = 2" cut off

***Note that this is only an example and the actual cut-off length will vary based on the actual finished opening dimension.**

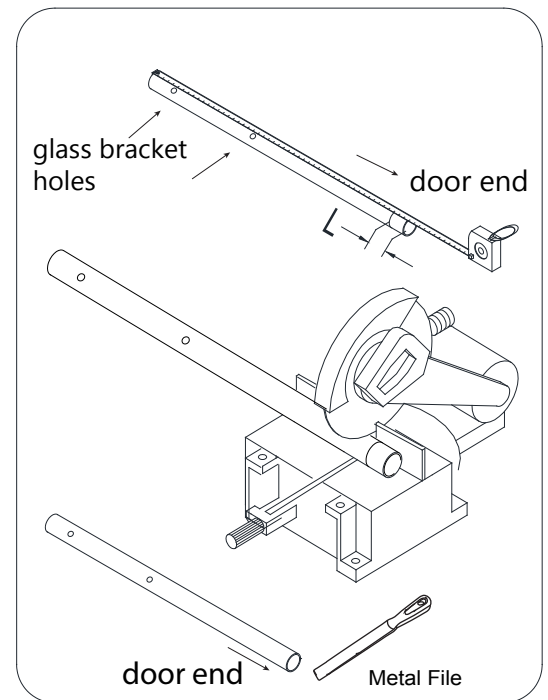
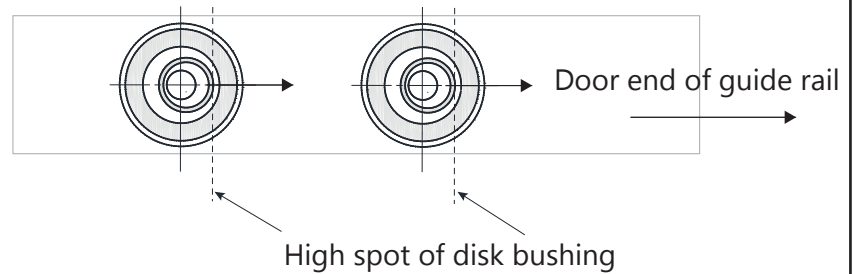


Fig 7

8a. Attach the **Upper Guide Rail (#03)** to the **Stationary Glass (#02)** with the **Glass Brackets (#07)** and tighten the bolts into the predrilled holes in the **Upper Guide Rail (#03)**. Make sure both adjustment disks are installed in the same direction with the high spot towards the door end. (see *Note below) Make sure that the guide rail is attached parallel with the top edge of the stationary panel glass. (Fig 8.3)

***NOTE:** The outer glass bracket disk has an eccentric bushing for adjustment. Be sure to install both glass bracket disks with the high spot of the bushing pointed towards the door end of the guide rail.



TIP: Mark the location of the high spot on the outer surface of the adjustment disk with a felt tip pen to make adjustment easier to see.

8b. Slide the **Door Stoppers (#01)** onto each end of the **Upper Guide Rail (#03)** and secure them using the **4mm hex Wrench (#11)**. **Install the panel-end stopper into the pre-drilled stopper hole in the Upper Guide Rail (#03) and apply Thread Lock (#26) to the set screw.** Attach the door-end stopper approximately 4" from the door-end of the guide rail. (The door-side stopper position will be adjusted in a later step after the door glass is installed). **(Fig 8)**

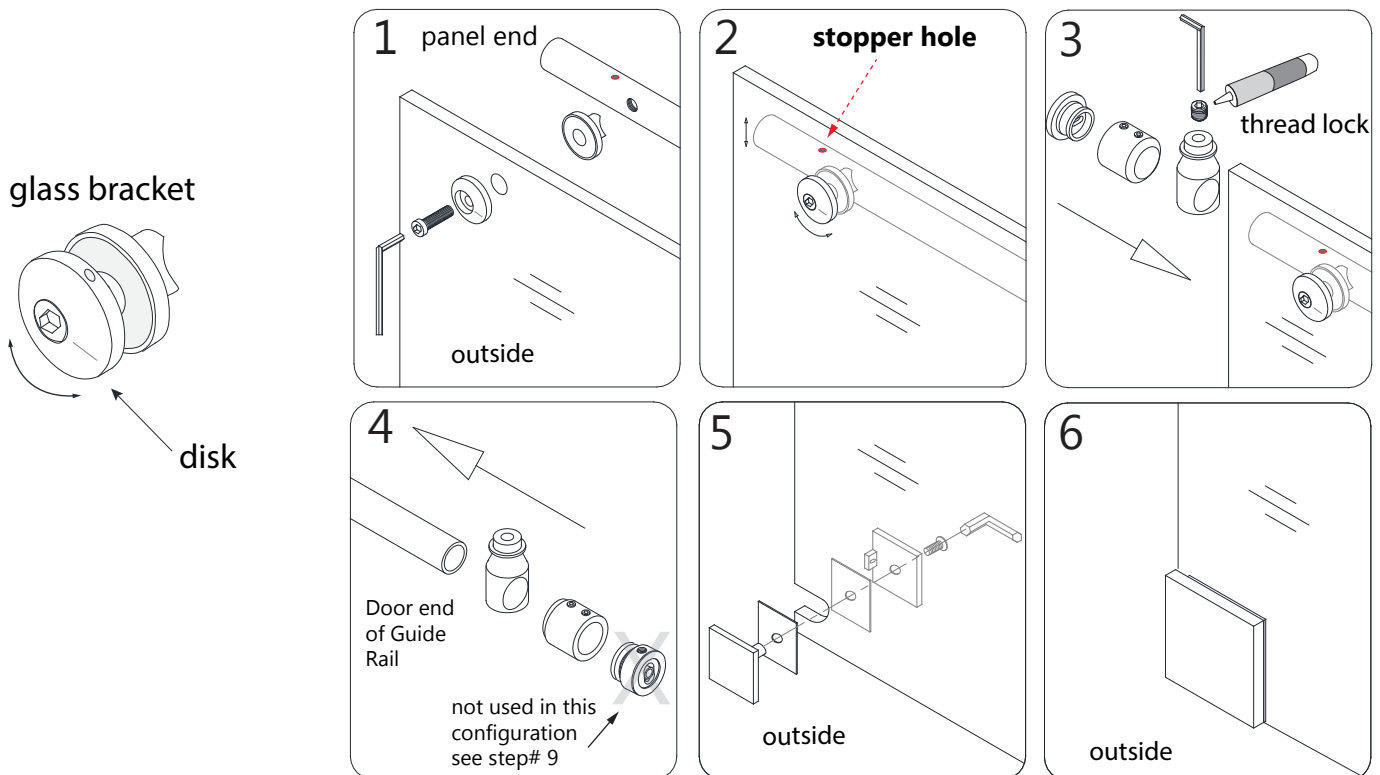


Fig 8

8c. Slide the **Guide Rail Brackets (#08)** onto each end of the **Upper Guide Rail (#03)** and secure them. Next, assemble the **Wall Bracket (#19)** onto the bottom corner of the **Stationary Glass (#02)** with the bolt facing into the shower as shown in **Fig 8.5**. Use the supplied bracket gaskets to protect the glass. **(Fig 8)**

9. Place the Stationary Glass (#02) with the Upper Guide Rail (#03) onto the threshold and position it against the wall. Fasten the Upper Guide Rail (#03) to the Return Panel (#27) using the Glass Connector (#28). (Fig 9a)

Tighten the set screws to secure the guide rail bracket sleeve to the Glass Connector (#28). (Fig 9a)
 Make sure the Stationary Glass (#02) and the Upper Guide Rail (#03) are level. If a horizontal adjustment is required; loosen, rotate and re-tighten the disks on the Glass Brackets (#07) and/or the Glass Connector (#28). (Fig 9b)

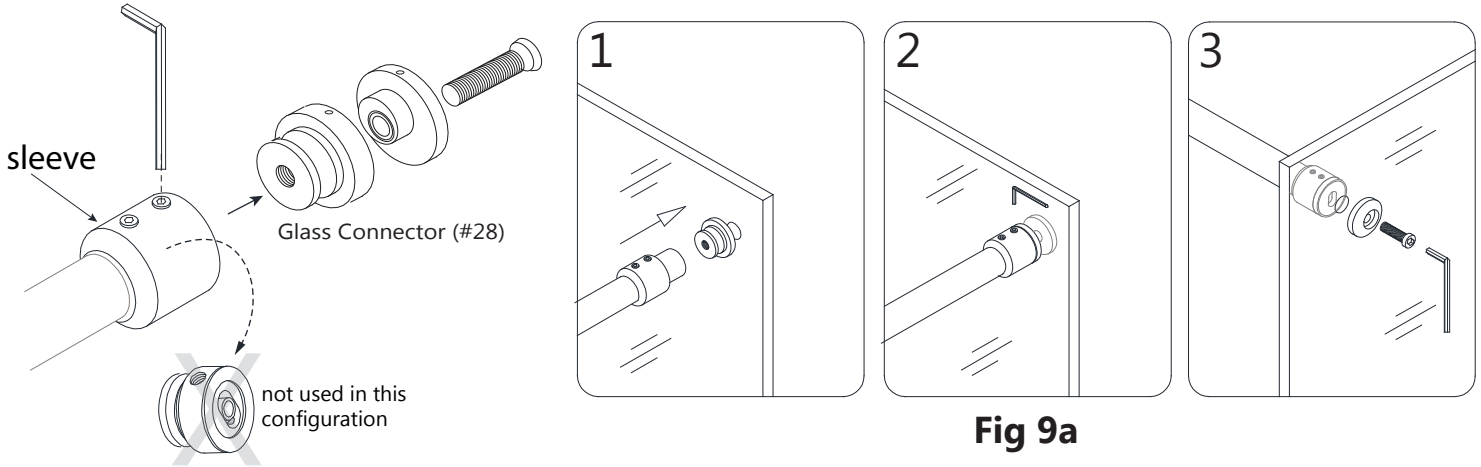
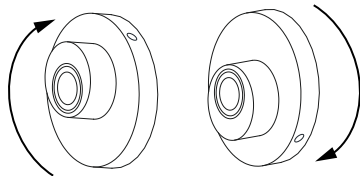
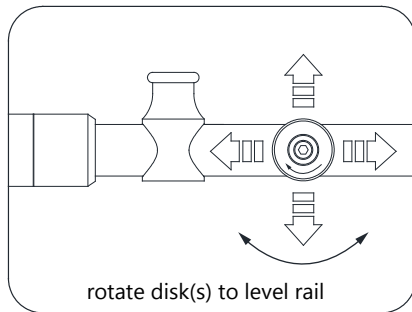


Fig 9a

Glass Bracket adjustment



Lower guide rail Raise guide rail
 Glass Bracket adjustments

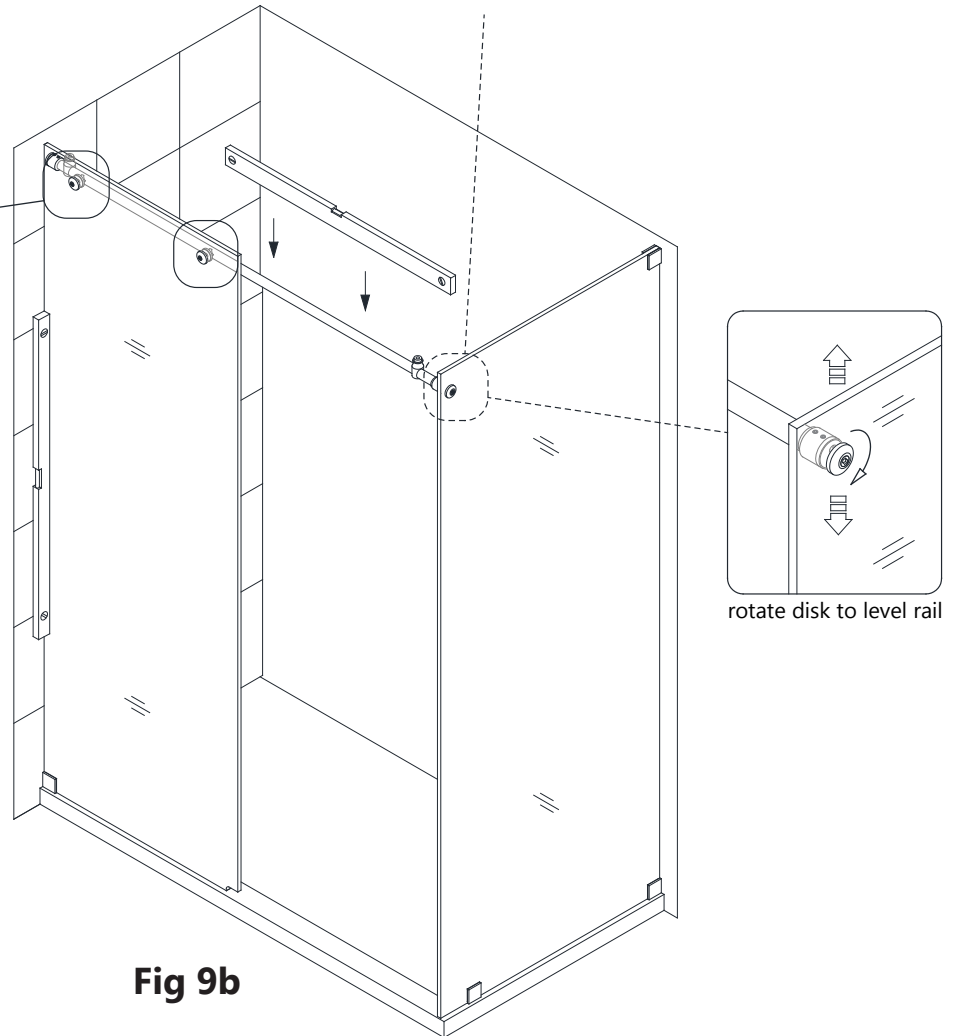


Fig 9b



Note: When installing the 72" model, proceed to Step #10. When installing the 48" or 60" model, skip to Step #13 to continue with the installation.

ATTENTION: This step shows the **Small Stationary Glass Bracket (#21)** installation for the **72" model only** (not included with the 48" or 60" model).

10. If the model width is 72" and includes the **Small Stationary Glass (#23)**, attach the **Small Stationary Glass Bracket (#21)** to the **Upper Guide Rail for 72" (#24)** between the **Door Stopper (#01)** and the **Guide Rail Bracket (#08)** as shown in **Fig 10**.

This bracket will be repositioned during the installation of the **Small Stationary Glass (#23)**. (**Fig 10**)

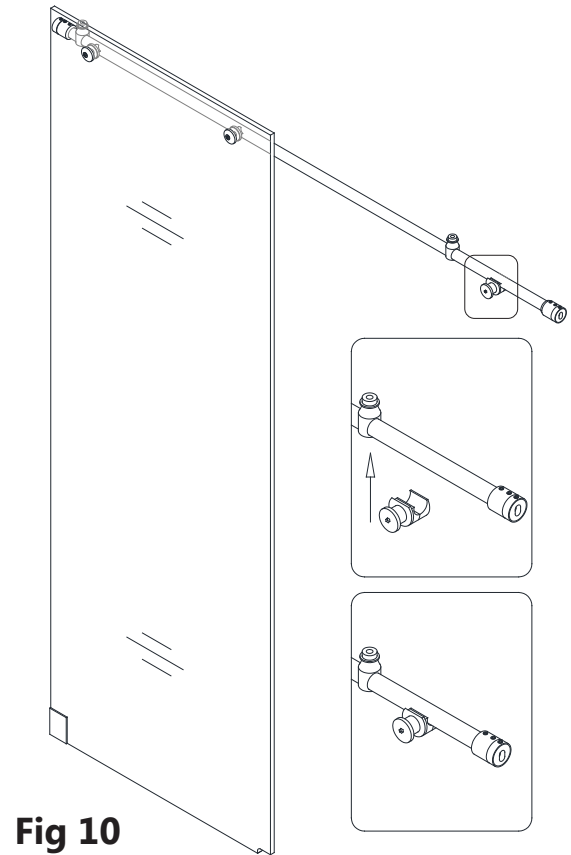
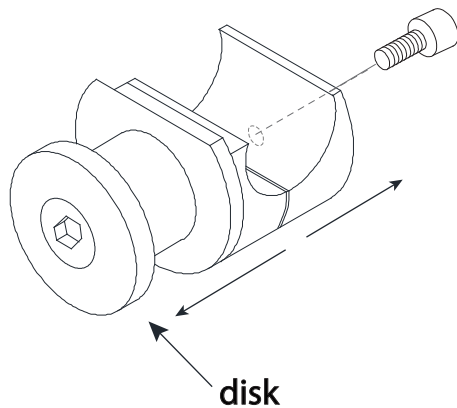


Fig 10

ATTENTION: This step shows the **Small Stationary Glass (#23)** installation **for the 72" model only** (not included with the 48" or 60" model).

11. If the model width is 72" and includes the **Small Stationary Glass (#23)**, assemble the **Wall Bracket (#19)** onto the larger notch at the bottom corner of the **Small Stationary Glass (#23)**. Install the bracket flush with the edges of the glass and use the provided gaskets to protect the glass. (**Fig 11**)

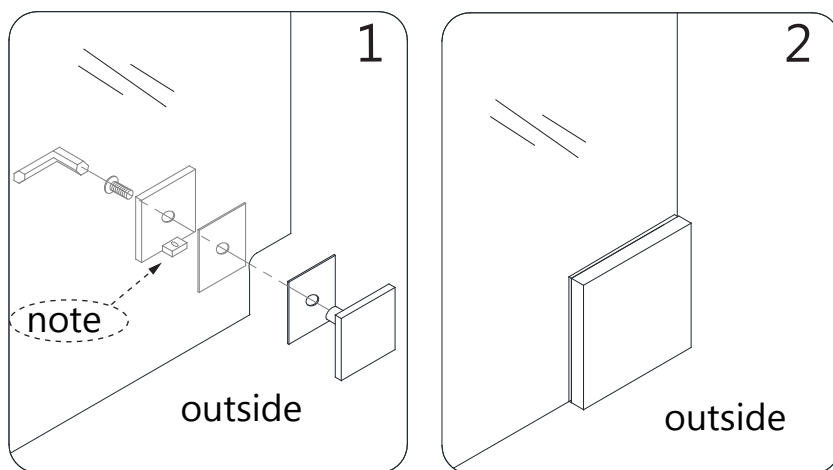
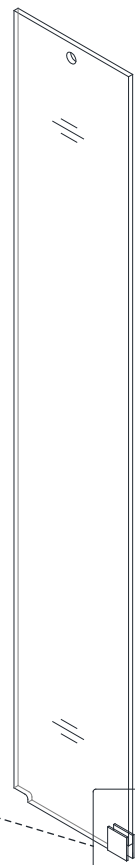


Fig 11



Note: Install the bracket flush with the edge of the glass

12. If installing the 72" model:

Unscrew the disk from the **Small Stationary Glass Bracket (#21)** and loosen the set screw that secures the bracket to the guide rail. If necessary, slide the **Door Stopper (#01)** away from the area so that it will not interfere with the placement of the **Small Stationary Glass (#23)**. (Fig 12.2)

Position the **Small Stationary Glass (#23)** onto the threshold and carefully butt it up against the installed **Return Panel Glass (#27)**. Align the **Small Stationary Glass Bracket (#21)** with the hole in the **Small Stationary Glass (#23)**. Re-attach the outer disk and secure the **Small Stationary Glass Bracket (#21)** to the **Upper Guide Rail for 72" (#24)**. (Fig 12)

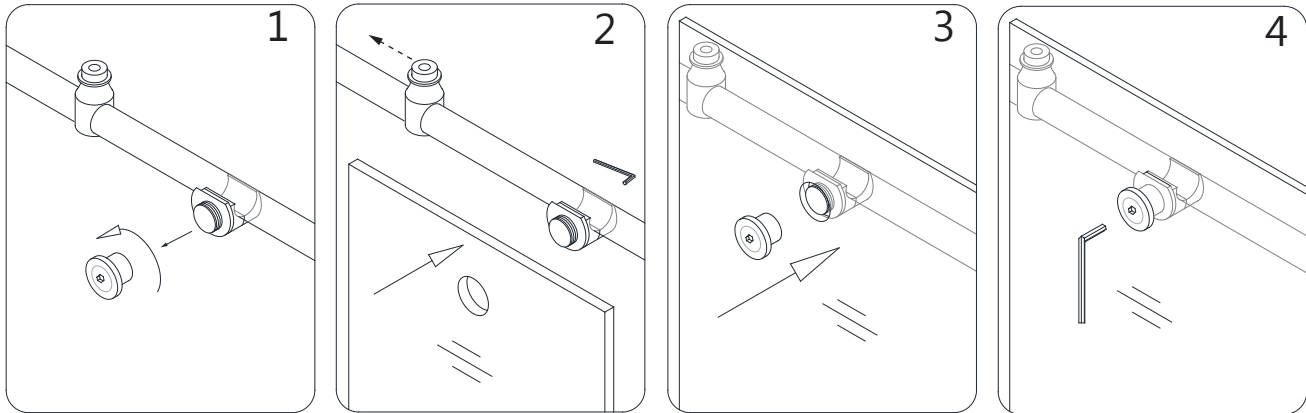


Fig 12

13. Once the **Upper Guide Rail (#03)** is level, mark the position of the **Guide Rail Bracket (#08)** and the **Wall Bracket (#19)** on the wall. (Fig 13a)

***NOTE:** If installing the 72" model, also mark the position of the **Wall Bracket (#19)** on the threshold for the **Small Stationary Panel Glass (#23)**. (Fig 13b.3*)

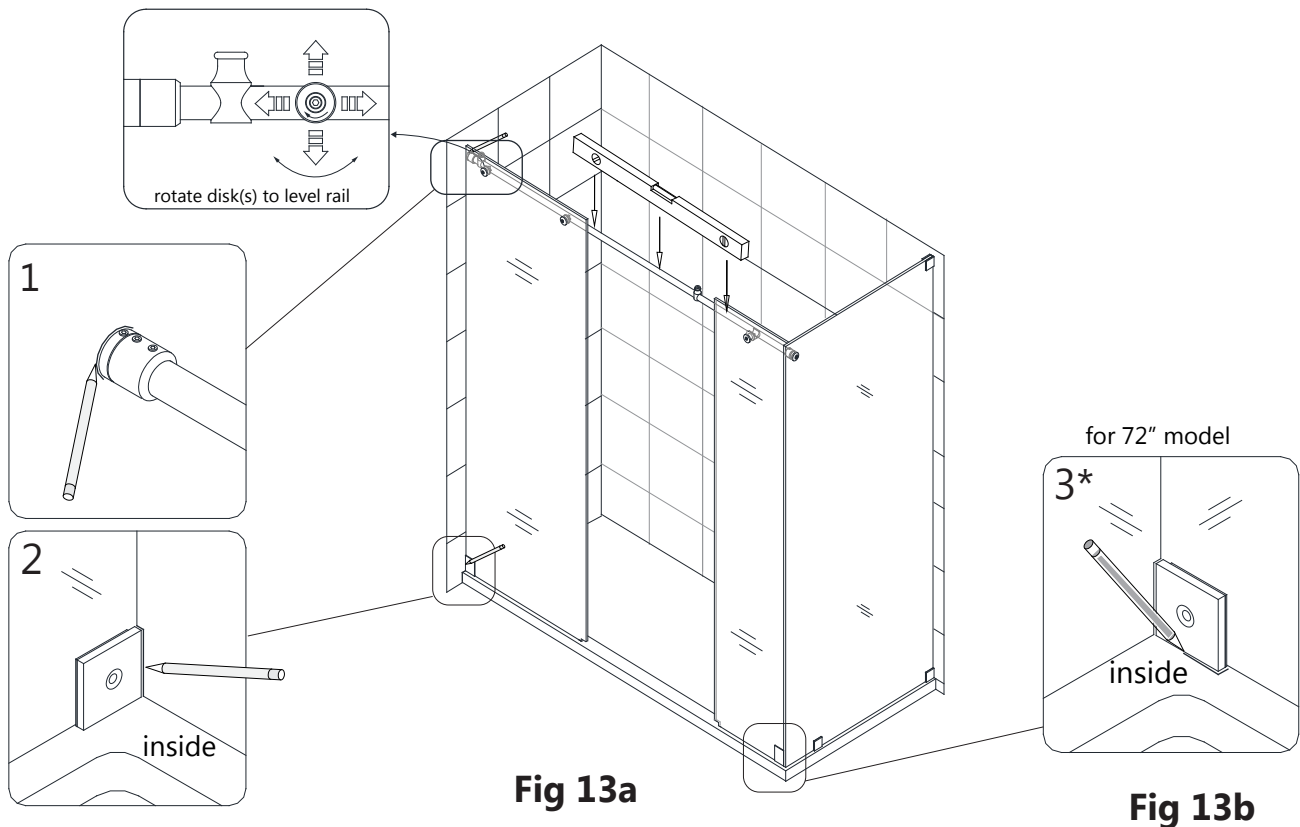


Fig 13a

Fig 13b

14. Make sure the **Stationary Glass (#02)** is parallel to the front edge of the threshold. Level it vertically (plumb) and mark the position on the threshold. Slide the **Guide Block (#12)** into the notch in the **Stationary Glass (#02)**, and align it flush with the edge. Mark its position and also mark the hole for drilling using a pencil (or center punch). **(Fig 14a)**

Note: If installing the 72" model, also position the **Small Stationary Glass Bottom Bracket (#22)** with the edge of the **Small Stationary Glass (#23)** and mark its position and the hole for drilling. **(Fig 14b)**

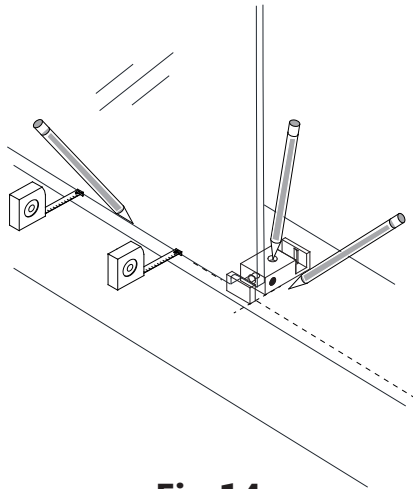


Fig 14a

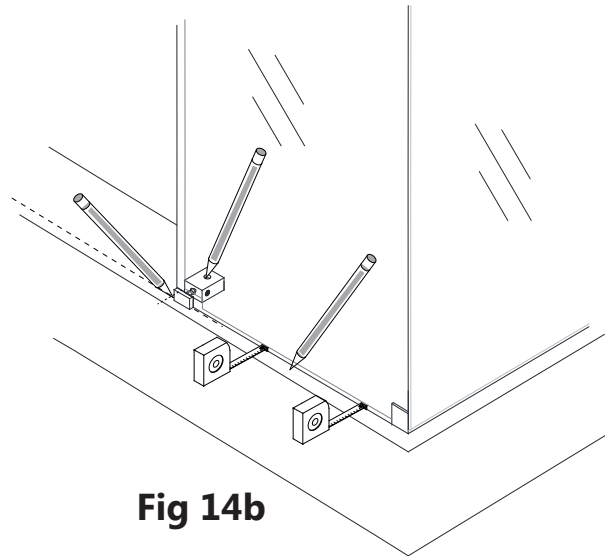
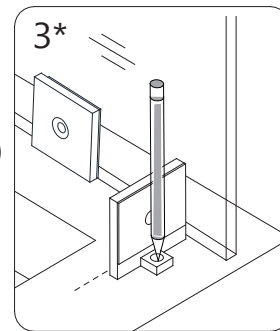
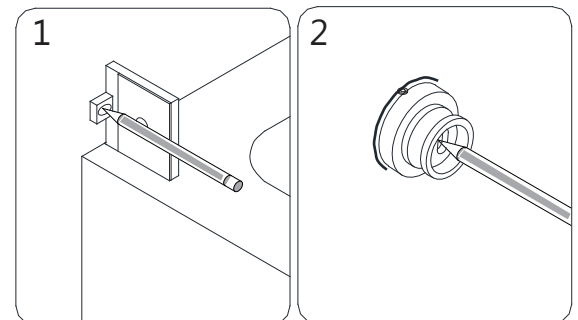


Fig 14b

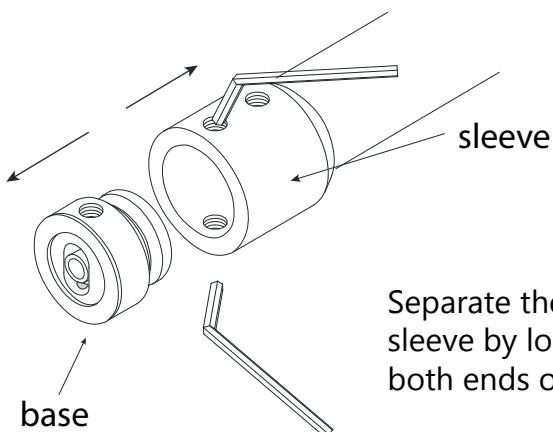
15. After marking the positions of all the hardware, set the **Stationary Glass (#02)** with the **Upper Guide Rail (#03)** aside. **(If installing the 72" model**, also remove the **Small Stationary Panel Glass (#23)** from the **Upper Guide Rail (#03)**. Remove the **Guide Rail Brackets (#08)** from the **Upper Guide Rail (#03)** and the **Wall Bracket (#19)** from the **Stationary Glass (#02)**. Place the **Wall Bracket (#19)** and one **Guide Rail Bracket (#08)** back to the outlined positions on the wall and mark the holes for drilling. **(Fig 15)**

***NOTE:** If installing the 72" model, perform the same procedure to mark the hole for the **Wall Bracket (#19)** on the threshold for the **Small Stationary Panel Glass (#23)**. **(Fig 15.3)**



for 72" model

Fig 15



Separate the **Guide Rail Bracket (#08)** base from the sleeve by loosening the set screws. Leave the sleeves on both ends of the upper guide rail.



****NOTE:** Step #16 has an option for installing the guide rail brackets to the wall using anchors. However, **the manufacturer strongly recommends installing these heavy doors to the studs or to pre-installed 2"x 6" wood reinforcement behind the wall in the area where the guide rail brackets will be attached to the wall.**

****For the recommended installation into a stud, drill a $\text{\O}1/4"$ hole up to the stud, do not use wall anchors, and let the screw bore into the wood.**

16. Drill a hole for the **Wall Bracket (#19)** using a **$\text{\O}5/16"$ (8mm)** drill bit and insert the **Wall Anchor (#9b)**. (Fig 16.1 and 16.2)

***For the 72" model,** drill an **$\text{\O}1/8"$** for an acrylic base (or **$\text{\O}5/16"$** for tile) for the **Wall Bracket (#19)** for the **Small Stationary Panel Glass (#23)**. (Fig 16.5)

Drill the holes for the **Guide Rail Brackets (#08)** using a **$\text{\O}3/8"$ (10mm)** drill bit and insert the **Wall Anchors (#9a)**. (Fig 16.3** - 16.4**)

****If installing into a stud (recommended), drill a $\text{\O}1/4"$ hole and do not use the wall anchors (see note above).** (Fig 16)

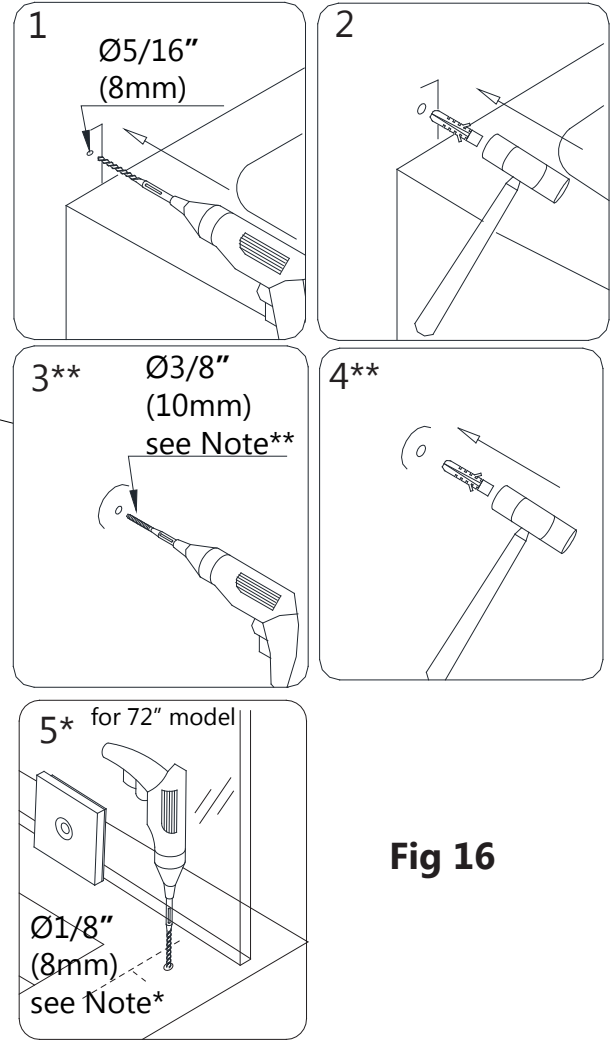


Fig 16

17. Fasten the **Wall Bracket (#19)** to the wall using the **ST4.2x55 Truss Head Screw (#18)**. (Fig 17.1) **For the 72" model,** repeat this step to attach the **Wall Bracket (#19)** for the **Small Stationary Panel Glass (#23)**. Use an **ST4.2x25 screw** into an acrylic base or **ST4.2x40 with an anchor** for tile (Fig 17.5). Attach the base part of one **Guide Rail Bracket (#08)** to the wall using the **ST6x65 Large Truss Head Screw (#10)** (Fig 17.2). Note that the adjustment set screws on the bracket must be aligned vertically for easier access to tighten and adjust for level after the glass is installed. Fasten the **Upper Guide Rail (#03)** to the **Return Panel (#27)**, connecting the sleeve of the **Guide Rail Bracket (#08)** to the **Glass Connector (#28)** (Fig 17.3 and 17.4). Align the set screws vertically and tighten. (Fig 17)

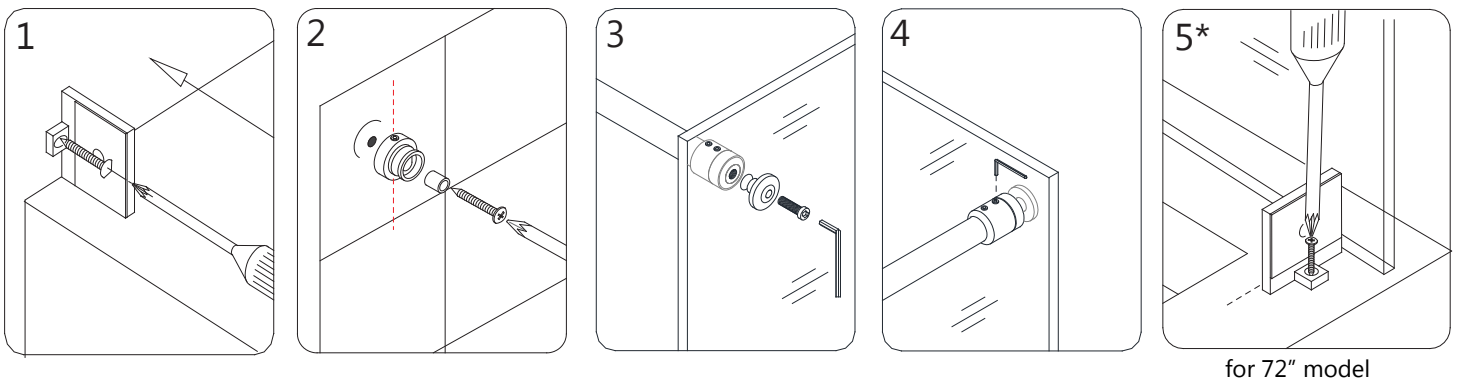


Fig 17

for 72" model

18. To install **Guide Block (#12)**: Loosen the set screw and remove the **guide block face plate**. Apply silicone to the underside of the **Guide Block (#12)** and screw the **Guide Block (#12)** to the threshold as described below:

***NOTE:**

▪ **For installation into an Acrylic Threshold:**

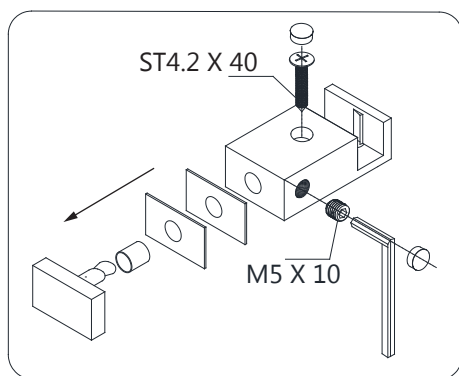
drill an $\text{Ø}1/8''$ (3mm) hole and use the **ST4.2 x 40mm Countersunk Screw (#17)**

OR

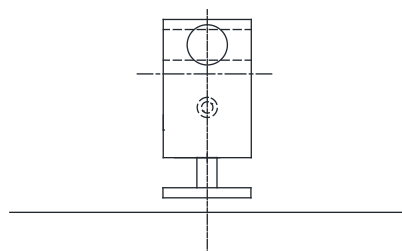
▪ **For installation into a Tile Threshold:**

drill a $\text{Ø}5/16''$ (8mm) hole, install **Wall Anchor $\text{Ø}5/16''$ (#09b)** and use the **ST4.2 x 40mm Countersunk Screw (#17)**

The Guide Block (#12) must be screwed down to the threshold. (Fig 18)



overhead view of threshold & guide block



The Guide Block must be installed square to the plane of the glass

Part#12 - Guide Block (with caps)

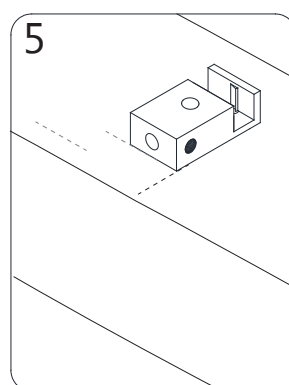
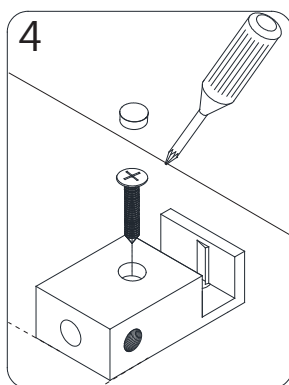
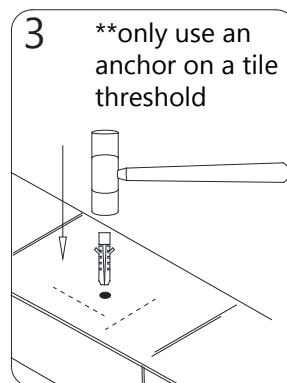
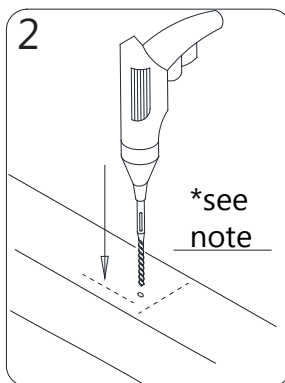
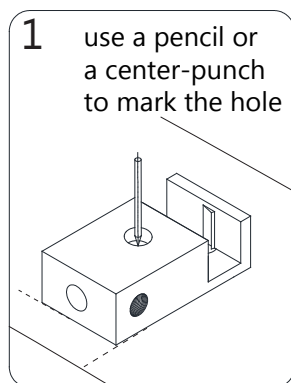


Fig 18

19. If installing the 72" model, repeat Step #18 for the **Small Stationary Glass Bottom Bracket (#22)**. Loosen the set screw and remove the **guide block face plate**.

***NOTE:**

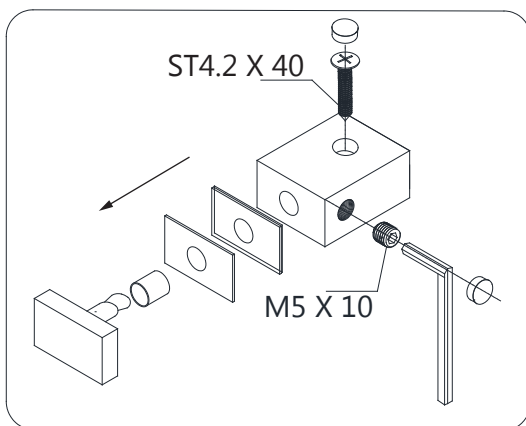
▪ **For installation into an Acrylic Threshold:**
drill an **Ø1/8" (3mm)** hole and use the **ST4.2 x 40mm Countersunk Screw (#17)**

OR

▪ **For installation into a Tile Threshold:**
drill a **Ø5/16" (8mm)** hole and use the **ST4.2 x 40mm Countersunk Screw (#17) (with Anchor (#09b) for tile)**

Apply silicone to the underside of the **Stationary Glass Bottom Bracket (#22)** and screw the **Stationary Glass Bottom Bracket (#22)** to the threshold. (**Fig 19**)

NOTE: The Small Stationary Glass Bottom Bracket (#22) must be screwed down to the threshold.



Part#22 - Small stationary Glass Bottom Bracket for 72" model only



NOTE: Before installing the **Stationary Glass (#02)**, take the **Door Glass (#05)** into the shower area and lean it against the wall with the handle holes on the correct side. After the **Stationary Glass (#02)** is installed, it may not be possible to easily get the door glass into the shower. Always use padding to protect the glass and shower surfaces.



NOTE: DO NOT attach the handle to the door glass until instructed. **DO NOT** attempt to lift the door glass with the handle as this may result in damage to the glass and/or serious personal injury. Use a professional grade glass suction cup and an assistant.

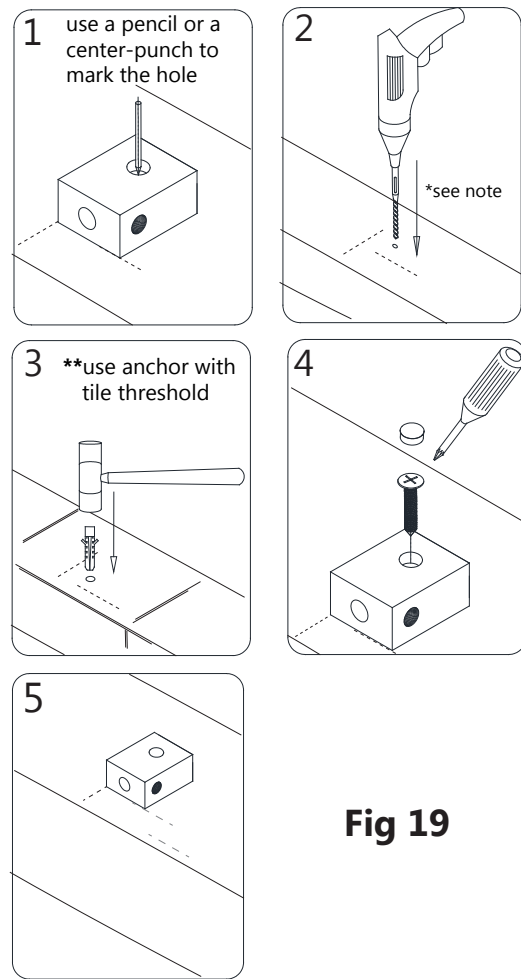
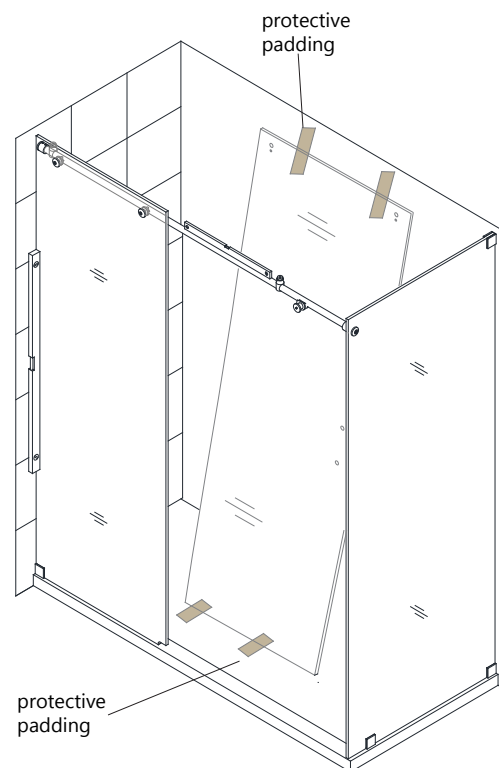


Fig 19



20. Reposition the **Stationary Glass (#02)** and **Upper Guide Rail (#03)** onto the threshold and fasten the sleeves of the **Guide Rail Brackets (#08)** to the installed bracket on the wall and the **Glass Connector (#28)**.

Tighten the set screws on the **Guide Rail Brackets (#08)** to secure the **Upper Guide Rail (#03)**. Position the bracket set screws so that they are accessible from the top and bottom. **(Fig 20.1 and Fig 20.2)**

Assemble the **Wall Bracket (#19)** at the bottom corner of the **Stationary Glass (#02)**. Use the clear vinyl gasket between the glass and the metal parts to avoid contact with the glass, then tighten the bolt with the supplied allen wrench. **(Fig 20)**

TIP: Adjust the installed **Upper Guide Rail (#03)** to level as necessary using the **Guide Rail Brackets (#08)** first and then the **Glass Brackets (#07)**. Start adjustments from the door end. **(Fig 21 and Fig 22)**

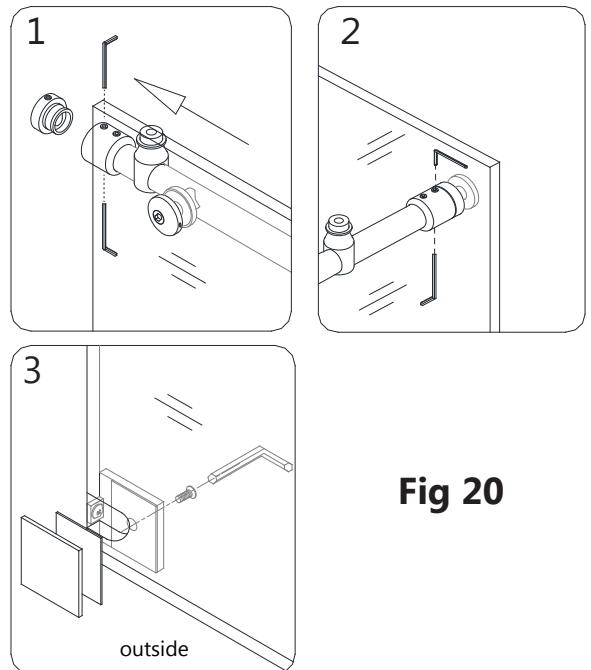


Fig 20

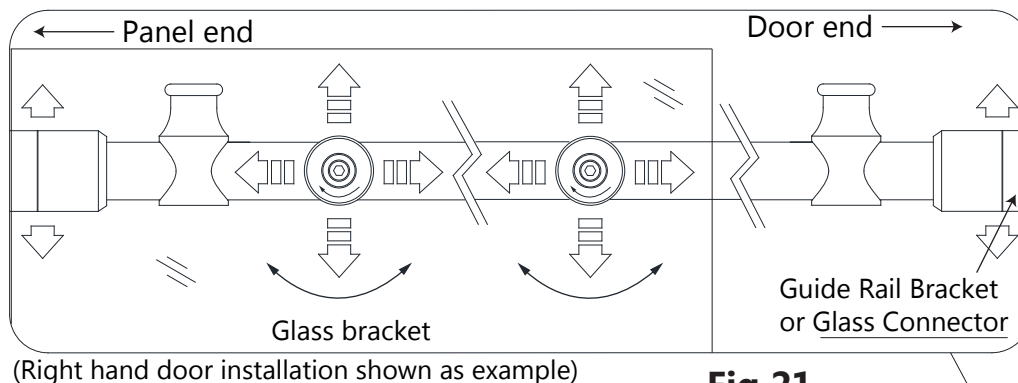


Fig 21

NOTE: Use the **Guide Rail Bracket (#08)** set screws and/or the **Glass Connector (#28)** to adjust the **Guide Rail (#03)** to level.

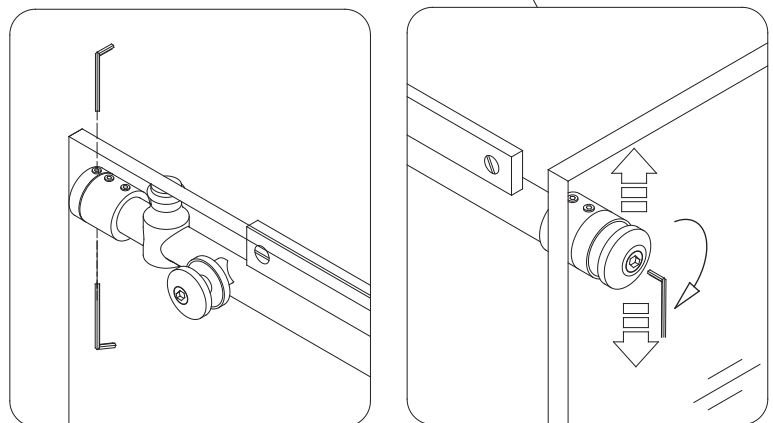
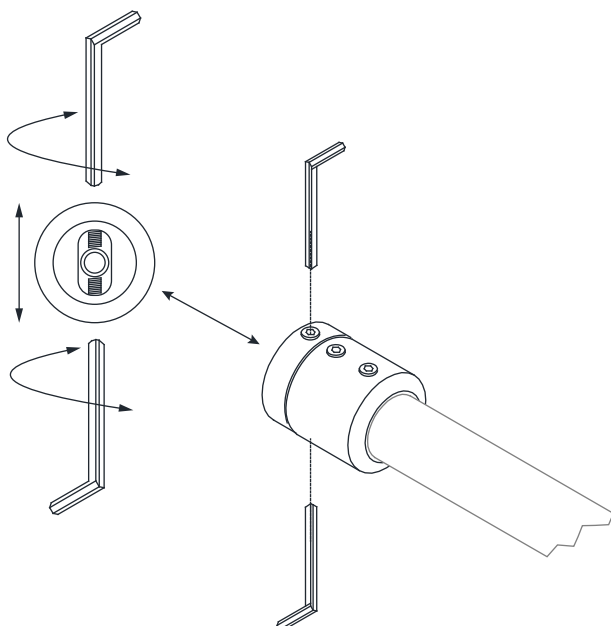


Fig 22

To lower the rail using the Guide Rail Bracket:
Loosen the top set screw and tighten the bottom set screw.

To raise the rail:
Loosen the bottom set screw and tighten the top set screw.

To raise or lower the rail using the Glass Connector:
Loosen the bolt and rotate the disk then tighten the bolt.

21a. For the 48" or 60" model size: Measure the distance from the edge of the **Guide Block (#12)** to the wall. This distance will be "**X**". Cut the **Anti-Splash Guard (#15)** to the size of: **(X) + 3/8"**. (**Fig 23a**)

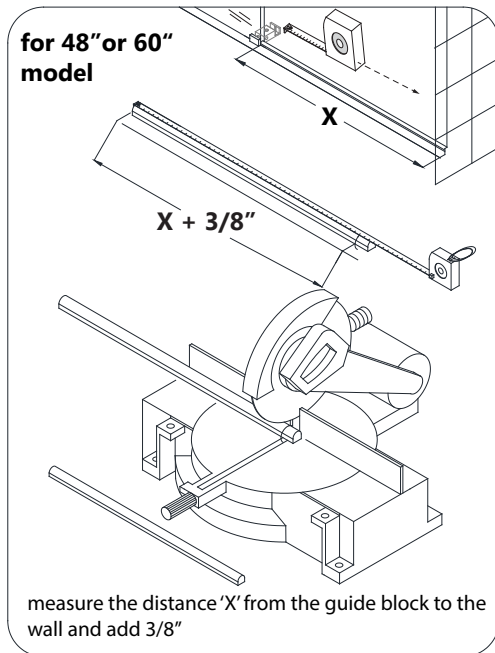


Fig 23a

21b. For the 72" model size: Measure the distance between the edge of the **Guide Block (#12)** to the edge of the **Small Stationary Glass Bottom Bracket (#22)**. This distance will be "**L**". Cut the **Anti-Splash Guard (#15)** to the size of: **(L) + 3/4"**. (**Fig 23b**)

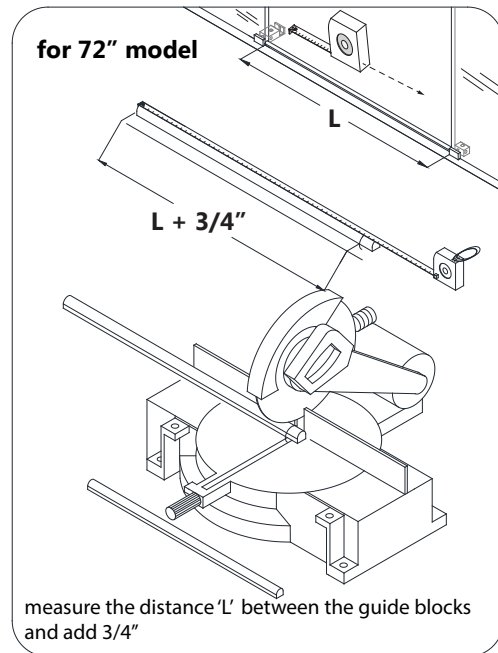


Fig 23b

22. Apply silicone to the bottom of the **Anti-Splash Guard (#15)**. Insert one end of the **Anti-Splash Guard (#15)** into the **Guide Block (#12)**. Align the **Anti-Splash Guard (#15)** parallel with the front edge of the shower base or threshold.

Cover the opposite end of the **Anti-Splash Guard (#15)** with the **Anti-Splash Guard Cap (#16)** against the wall. (48" or 60" model) (**Fig 24.4**)

For the 72" model: Insert the **Anti-Splash Guard (#15)** into the **Small Stationary Glass Bottom Bracket (#22)**. (**Fig 24.5***)

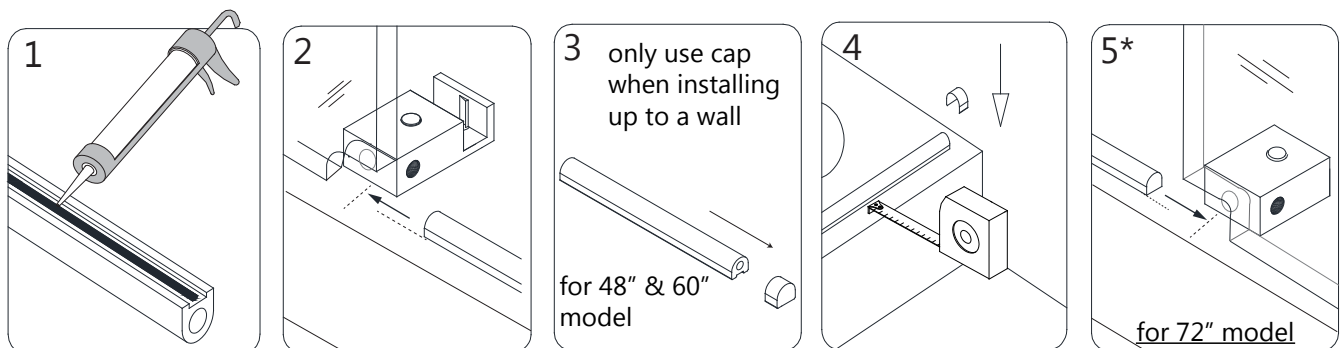


Fig 24

23. Secure the **Anti-Splash Guard (#15)** to the threshold with several pieces of painter's tape to hold it in position tight to the threshold until the silicone fully cures. **(Fig 25)**

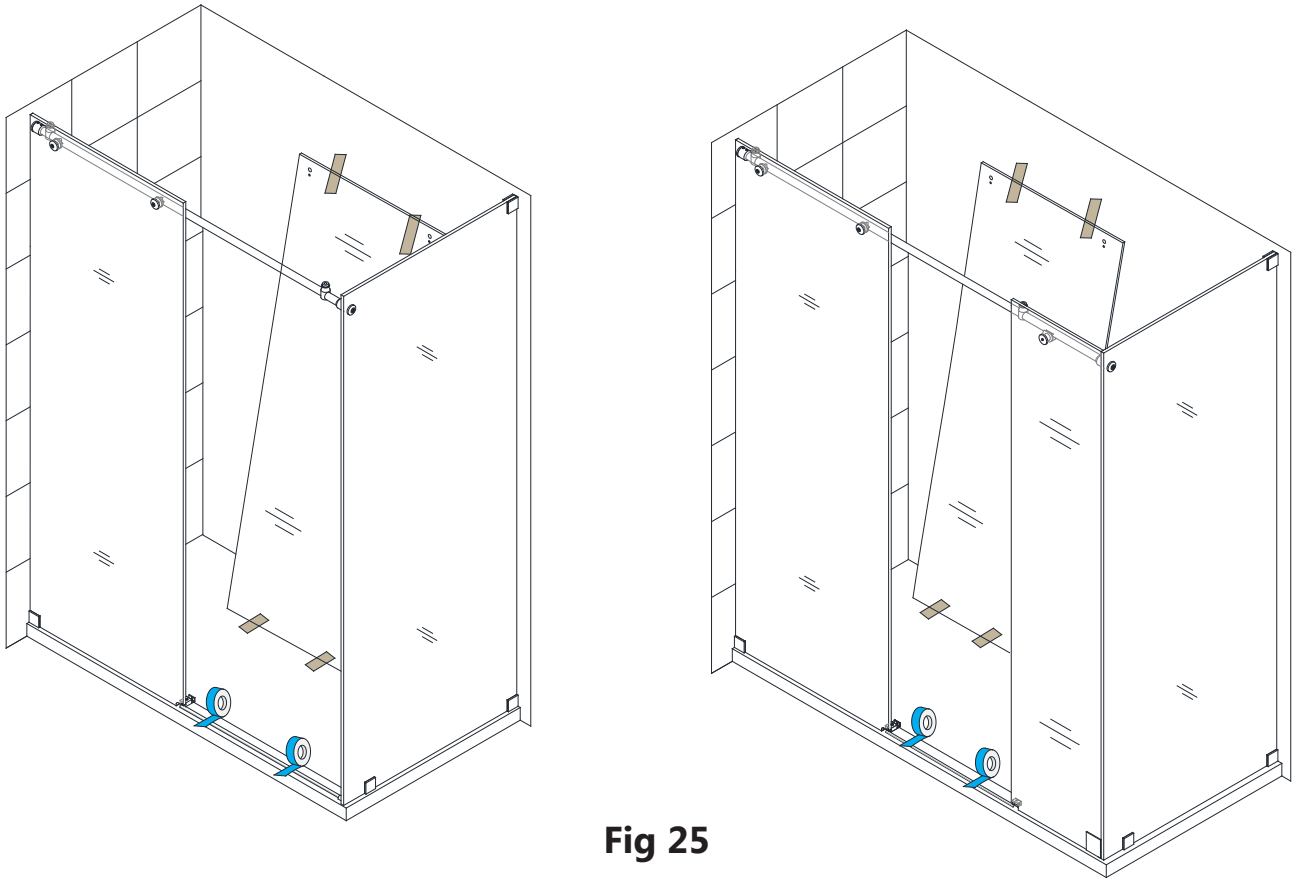
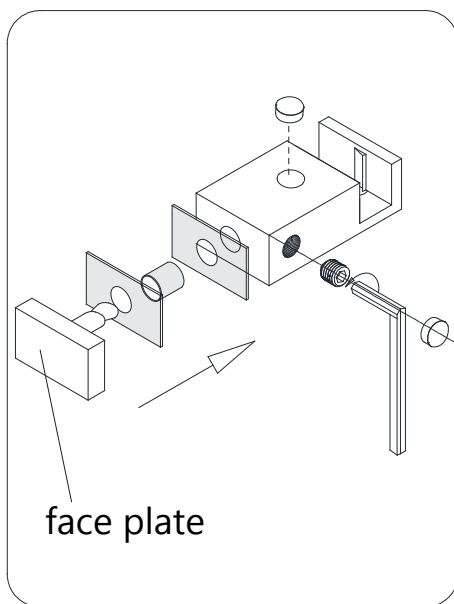


Fig 25

24. Attach the **Guide block face plate** to the installed **Guide Block (#12)** and use the supplied gaskets and sleeve to protect the glass. Tighten the set screw with the supplied allen wrench. Use the supplied Decorative caps to cover the screw holes. **(Fig 26)**



face plate

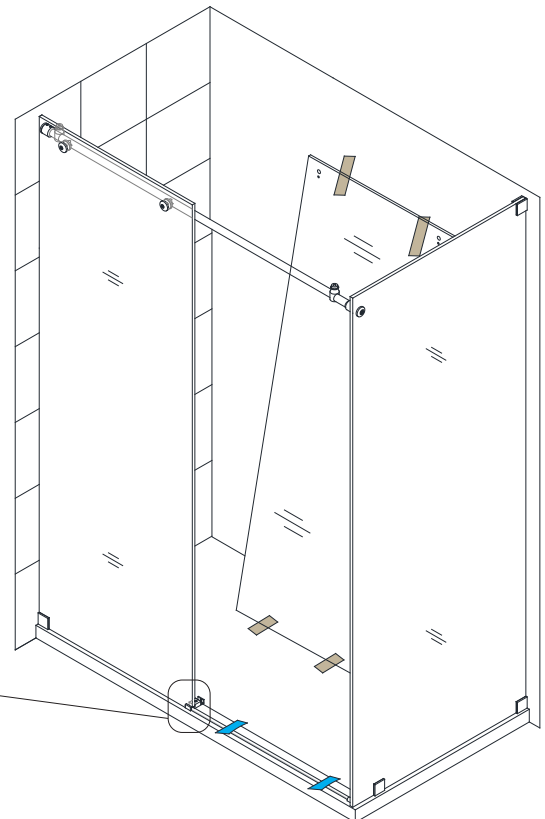


Fig 26

25. If installing the 72" model: Apply a thin bead of silicone to the edge of the **Small Stationary Panel Glass (#23)** and carefully butt it up against the installed **Return Panel Glass (#27)**. Attach the **Small Stationary Panel Glass (#23)** to the **Upper Guide Rail (#03)** using the **Small Stationary Glass Bracket (#21)**.

Attach the face plate to the **Wall Bracket (#19)** on the threshold. Use some painter's tape to secure the corner until the silicone cures. **(Fig 27 and Fig 28)**

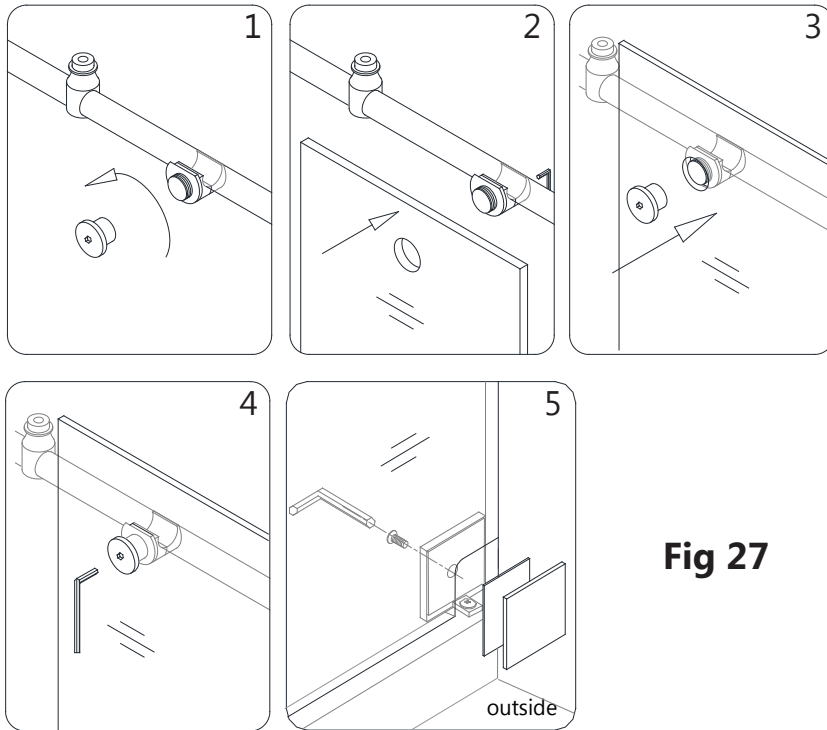
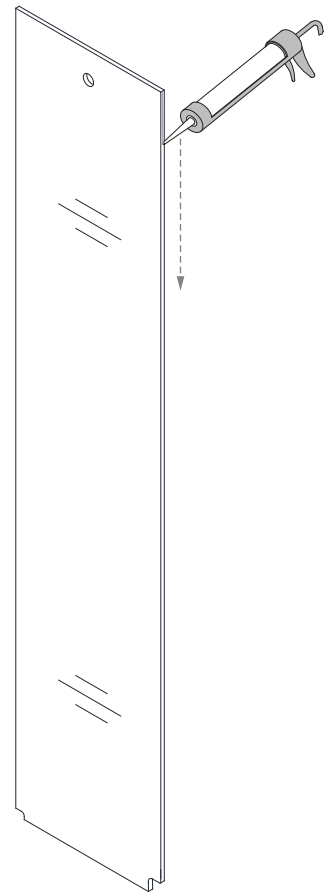


Fig 27



26. Attach the Guide block face plate to the installed **Small Stationary Glass Bottom Bracket (#22)** and tighten the set screw with the supplied allen wrench. Make sure that the clear gaskets are in place to protect the glass. Use the supplied Decorative caps to cover the screw holes. **(Fig 28)**

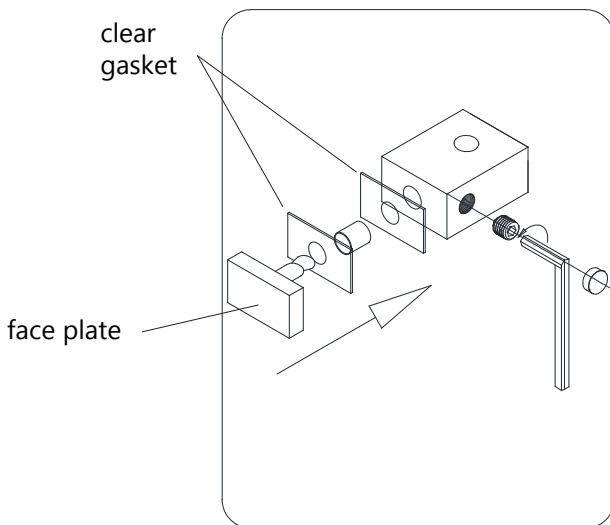
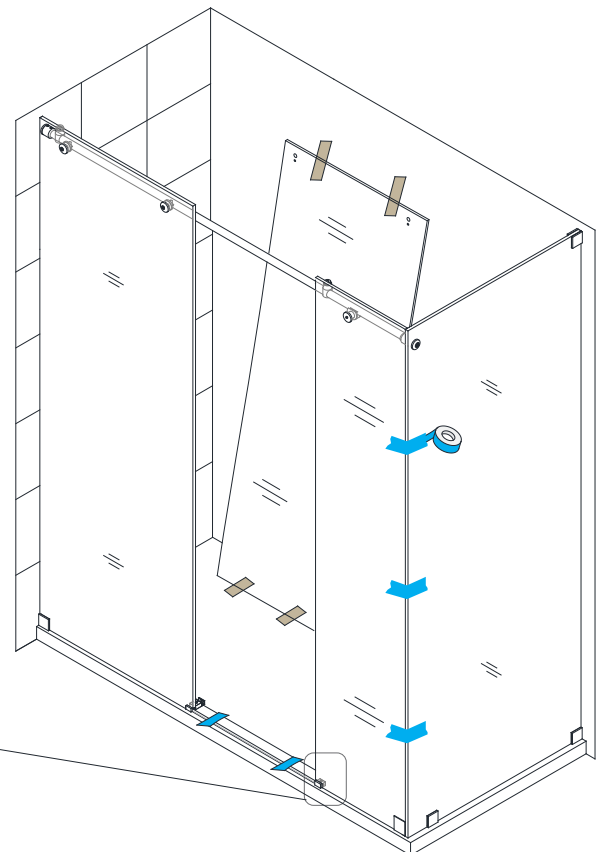


Fig 28





NOTE: DO NOT attach the handle to the door glass until instructed.
DO NOT attempt to lift the door glass with the handle as this may result in damage to the glass and/or serious personal injury.

27. Loosen the safety set screws and attach the two **Rollers (#04)** to the **Door Glass (#05)** with the wheels facing outside of the shower. Align the **safety set screw** towards the top for easier access (**See Fig 29 and page 33 for more details**).

Lift the door and position the **Rollers (#04)** onto the **Upper Guide Rail (#03)** while carefully guiding the bottom edge of the **Door Glass (#05)** into the groove of the **Guide Block (#12)**.

If necessary, adjust the disks on both **Rollers (#04)** to ensure that the bottom edge of the **Door Glass (#05)** does not touch the **Guide Block (#12)** and the bulb vinyl seal meets evenly with the return panel glass. (**see details on page 33**). (**Fig 29**)



Note: The adjustment disks in the wheels are the same as the disks in the Glass brackets and can be rotated to adjust the door glass to create a seal with the wall. **See detailed description on page 33.**



TIP: Mark the location of the high spot on the outer surface of the adjustment disk with a felt tip pen to make adjustment easier to see.



TIP: Use a 3/16" shim beneath the door glass when adjusting the level of the door so that the glass does not make contact with the guide block.

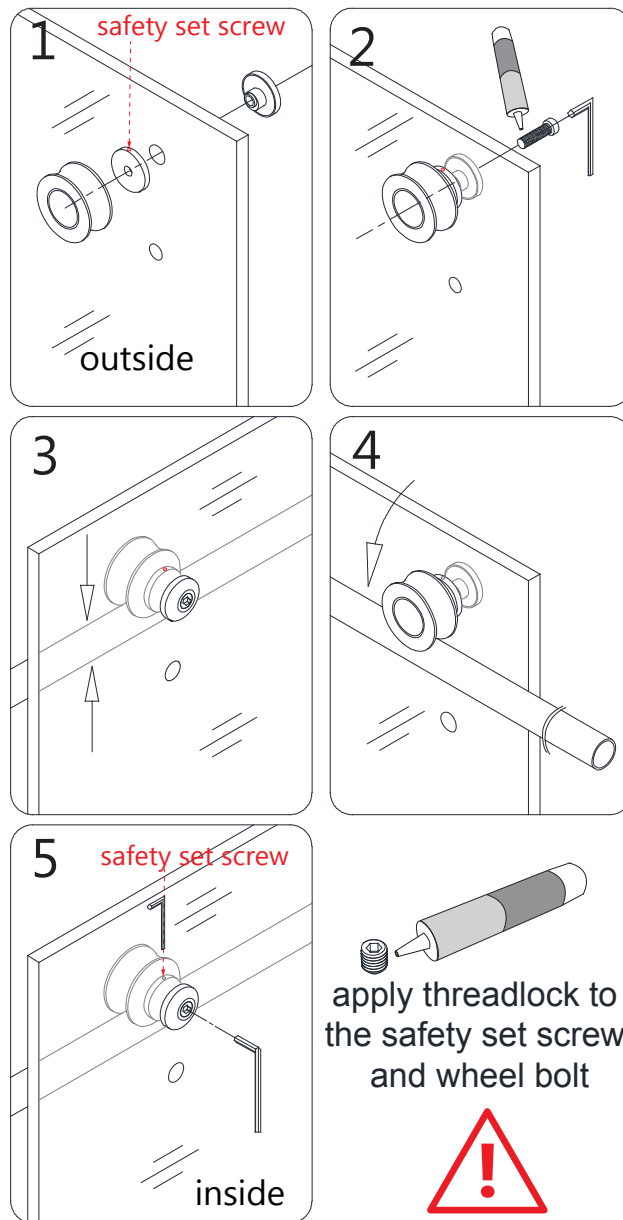
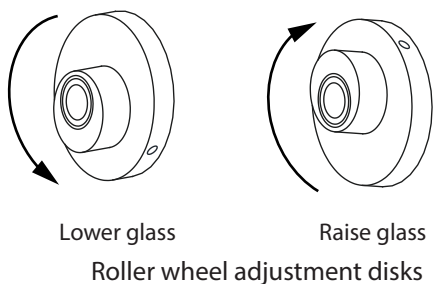
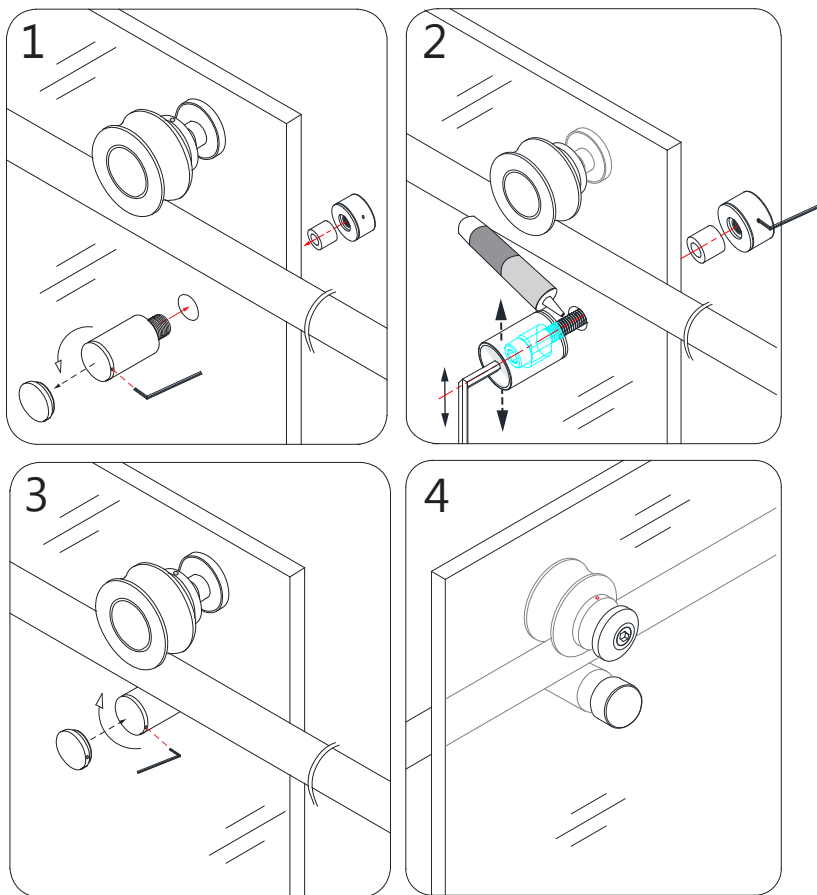


Fig 29

28. Attach the two **Roller Guards (#29)** onto the door to secure the door to the **Upper Guide Rail (#03)**.

Apply Thread Lock Adhesive (#26) to the bolts.

Leave no more than a **1/16" gap** between the **Roller Guards (#29)** and the **Upper Guide Rail (#03)**. Tighten the bolt and screw on the cap. **(Fig 30)**



TIP: Position the roller guard 1/16" below the rail, hold the roller guard bolt with the allen wrench and tighten the interior post using the small allen wrench **(Fig 30.2)**

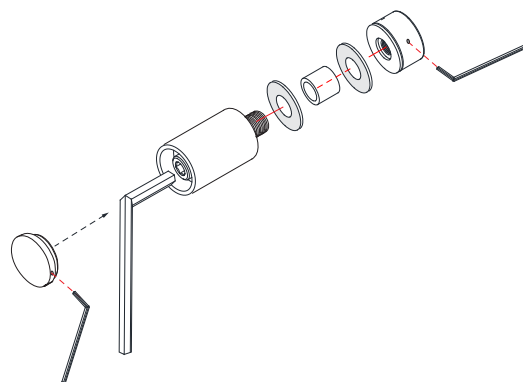
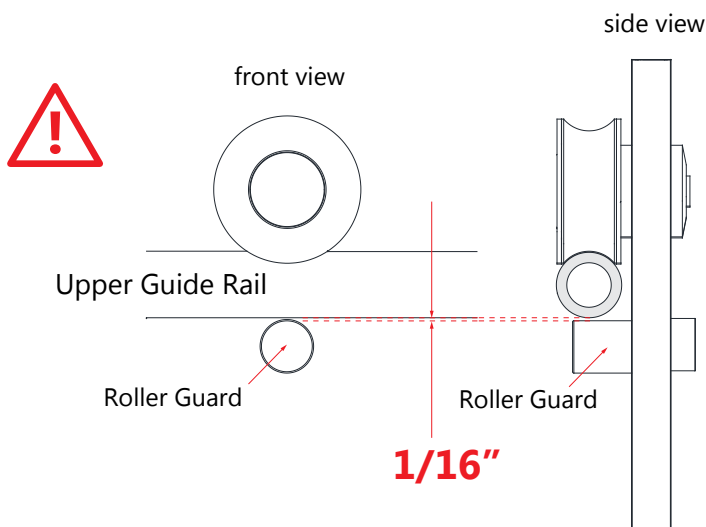


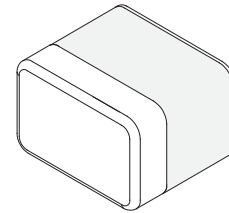
Fig 30



29. To install the **Bumper (#30) with the 3M tape:** position the **Bumper (#30)** onto the threshold and against the wall on the stationary panel side of the installation. **(For 72" model, this will be the side of the opening with the large stationary panel)**
 Remove the 3M Tape and position the **Bumper (#30)** onto the threshold against the **Wall Bracket (#19)**. **(Fig 31)**

! **NOTE:** The surfaces need to be clean and free of construction debris before installing the bumper. Wipe the area with an alcohol swab before installation.

TIP: Install the **Bumper (#30)** using the **3M** tape. Screwing the bumper to the wall using a $\text{Ø}5/16''$ hole and anchor is optional (see step 30).



The **Bumper (#30)** is reversible for Left or Right wall installation. (Left wall installation shown below from inside the shower)

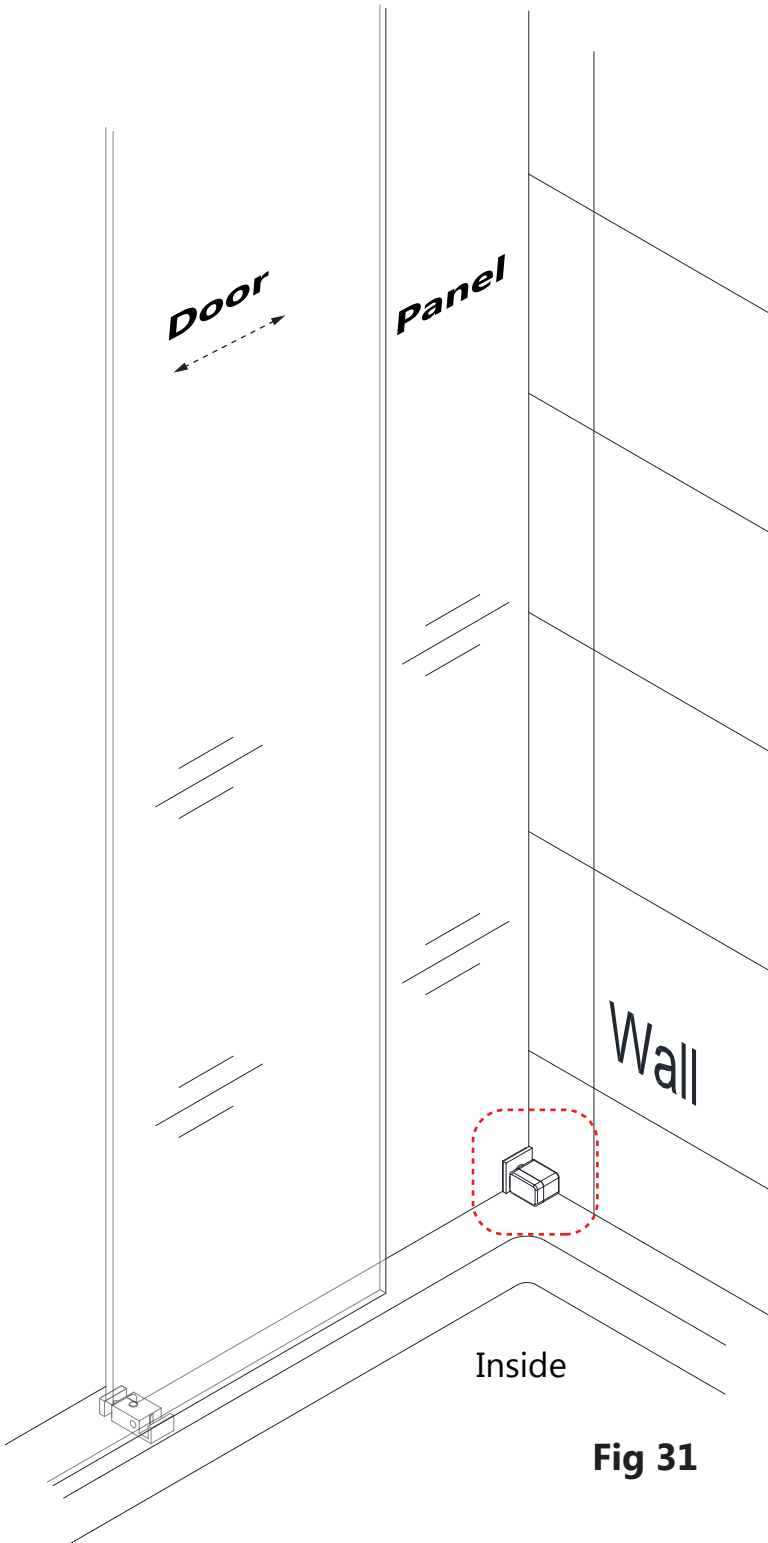
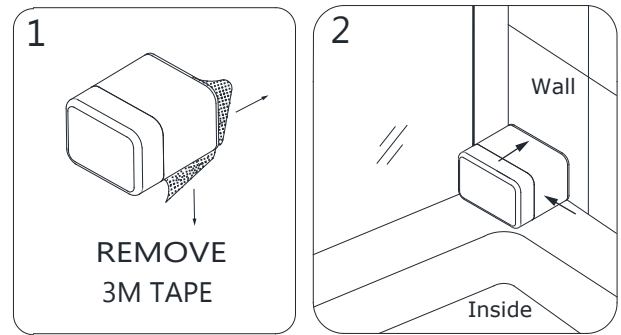


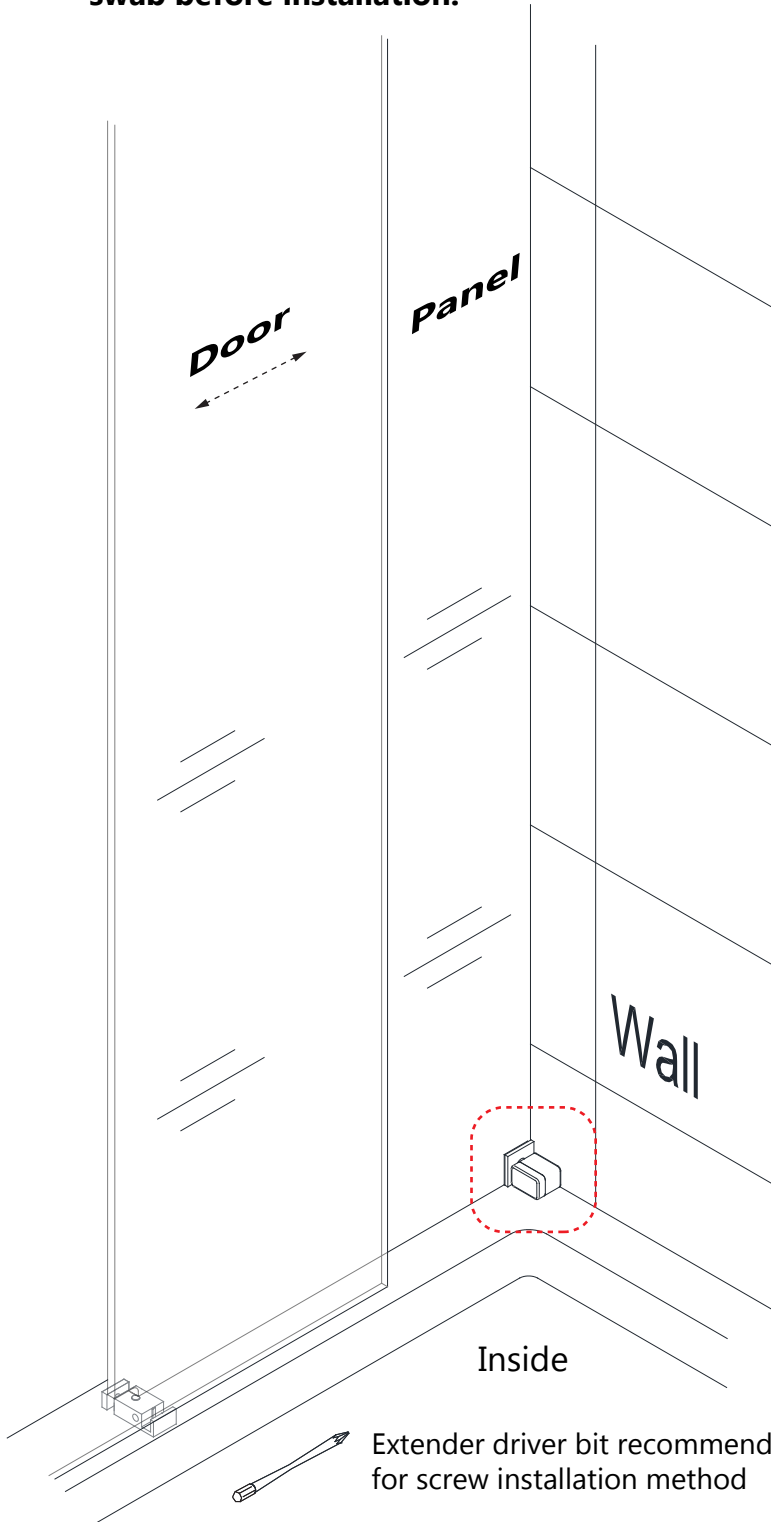
Fig 31

30. To install the **Bumper (#30) with the screw method:** position the **Bumper (#30)** onto the threshold and against the wall on the stationary panel side of the installation. (**For 72" model**, this will be the side of the opening with the large stationary panel). and mark the position of the hole onto the wall. Drill a $\text{Ø}5/16''$ hole and insert the wall anchor. Remove the 3M Tape and position the **Bumper (#30)** onto the threshold against the **Wall Bracket (#19)** and attach using the **ST4.2 x 40 Countersunk screw**. (Fig 32)



NOTE: The surfaces need to be clean and free of construction debris before installing the bumper. Wipe the area with an alcohol swab before installation.

NOTE: Use caution if using the screw method to not crack the wall/tile and to avoid any plumbing behind the wall.



The **Bumper (#30)** is reversible for Left or Right wall installation. (Left wall installation shown below from inside the shower)

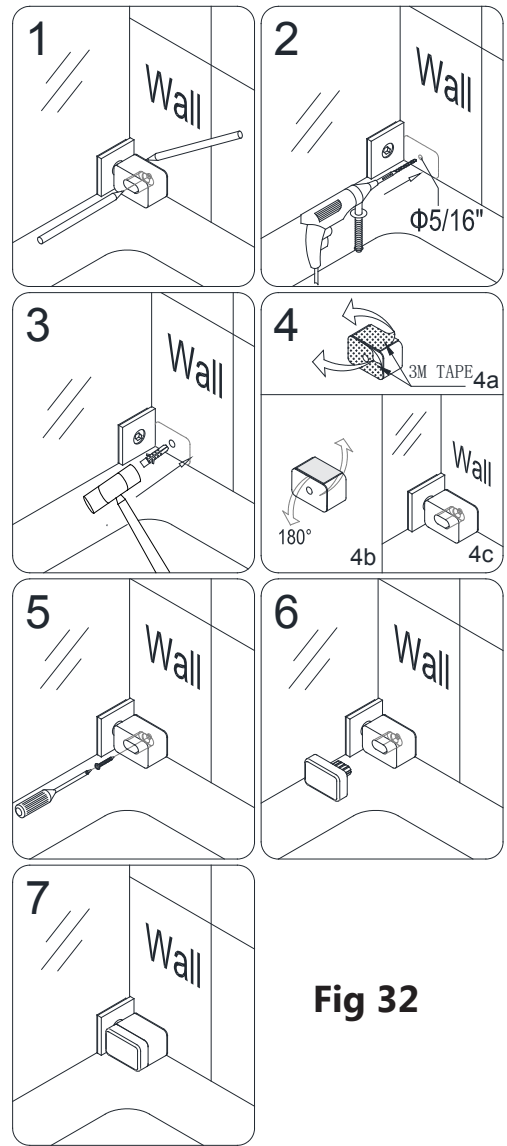


Fig 32



Note: The Safety set screw on both wheels MUST BE RE-TIGHTENED after installation to prevent the large bolt from coming loose. Apply thread lock during installation. (See Fig 33 and Page 33 for more details)

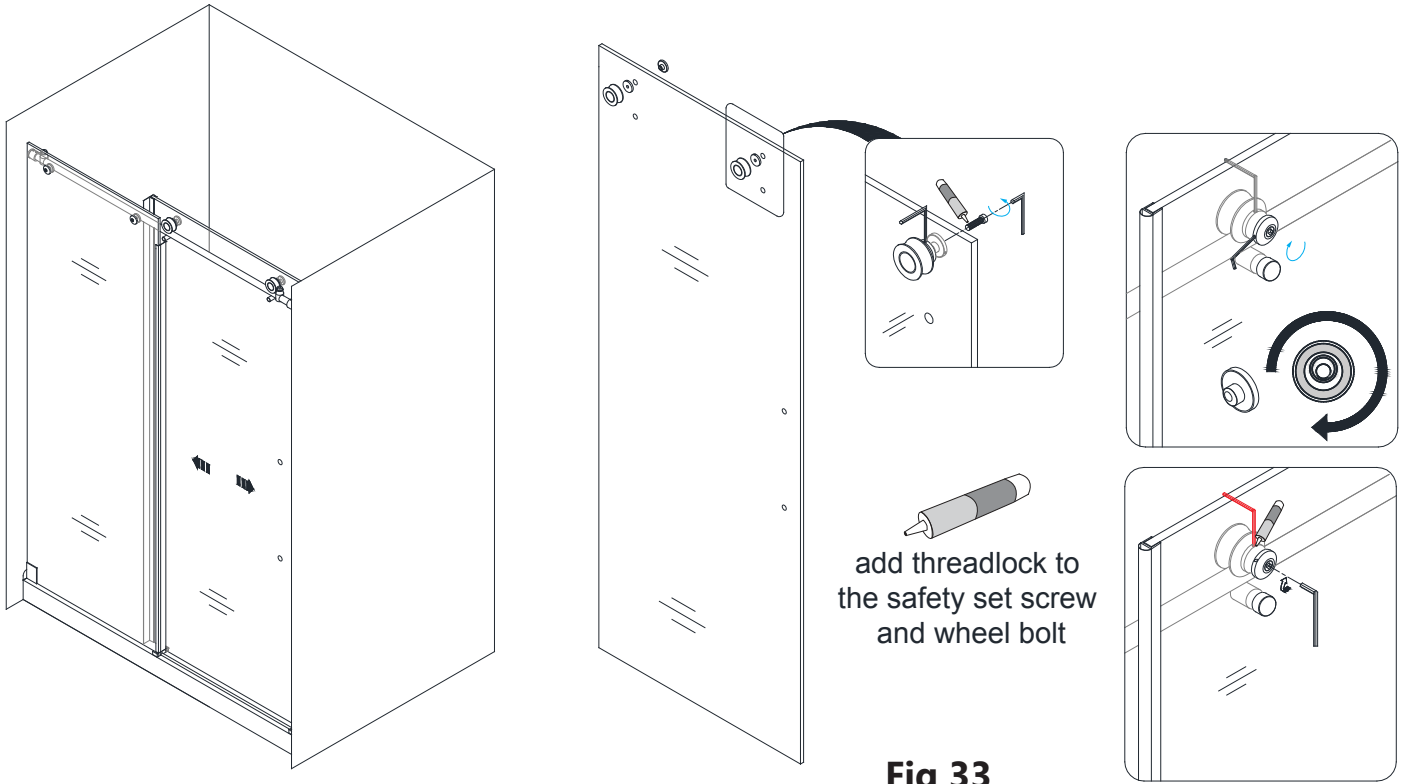
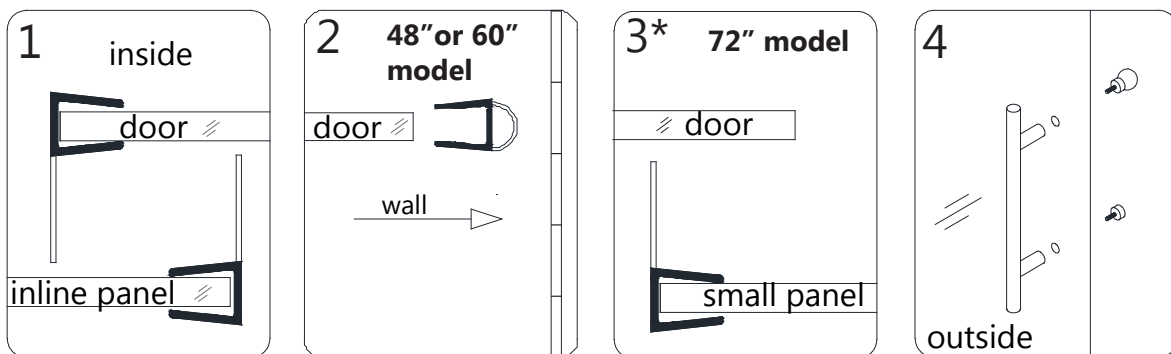


Fig 33

31. Press the **Anti-Water Strip (#14)** onto the vertical edge of the **Stationary Glass (#02)** and the **Door Glass (#05)**. For 48" and 60" models, press the **Bumper Strip (#13)** onto the vertical edge of the **Door Glass (#05)**. (Fig 34.2)

For the 72" model: Attach **Anti-Water Strip (#14)** to the edge of the **Small Stationary Glass (#23)**. The **Bumper Strip (#13)** is not necessary with the 72" model. (Fig 34.3*)

Attach the **Handle (#06)** to the **Door Glass (#05)**. (Fig 34)



(Right hand door installation shown as an example)

Fig 34



Note: Use a razor knife to trim the **Anti-Water Strip (#14)** at the top to avoid interfering with the **Roller Guards (#29)** and at the bottom where the door meets the **Bumper (#30)**.



32. Correctly position the **Door Stoppers (#01)** and screw them tightly to the **Upper Guide Rail (#03)**.

NOTE: The **Door Stoppers (#01)** must be positioned correctly to prevent the handle from contacting the **Stationary Glass (#02)** (48", 60" & 72" models) and to stop the **Door Glass (#05)** in a position that allows the bumper strip to create a seal with the **return panel glass**, but does not allow the **door glass** to bang into the **return panel glass** during normal operation (48" & 60" models). (Fig 35a and Fig 35b)

***For the 72" model:** Install the door side stopper in a position to prevent the handle from making contact with the small inline panel glass when the door is in the closed position. (Fig 35b.7*)

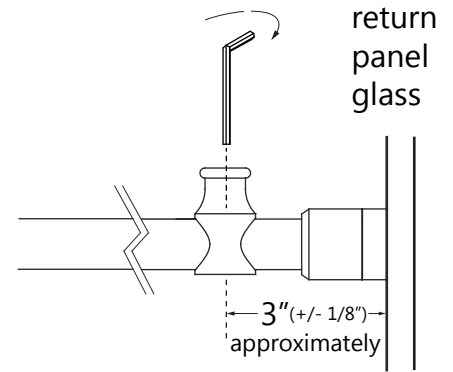
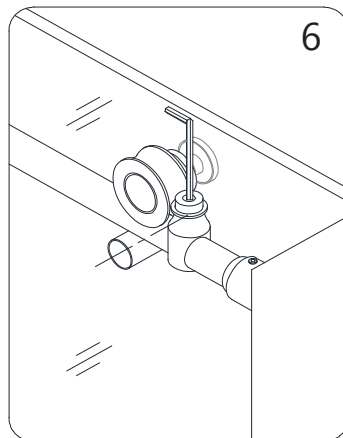
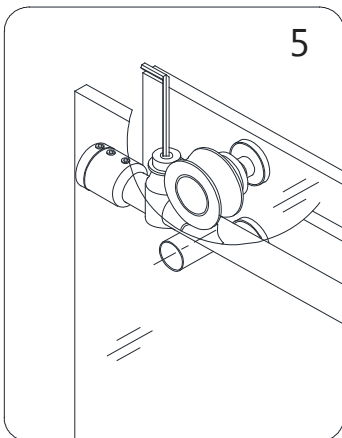
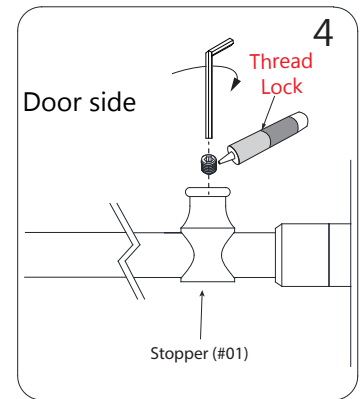
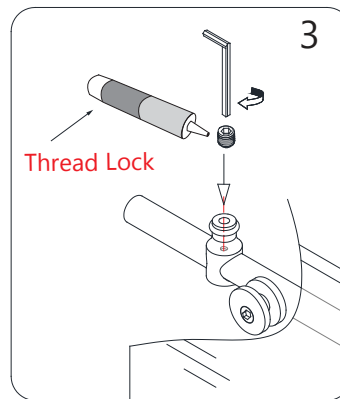
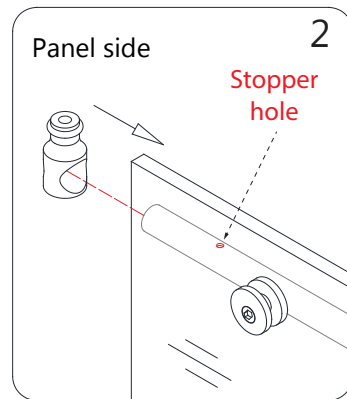
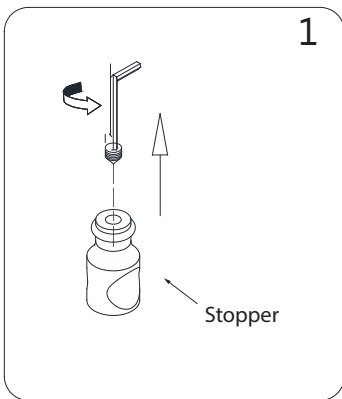


Fig 35a

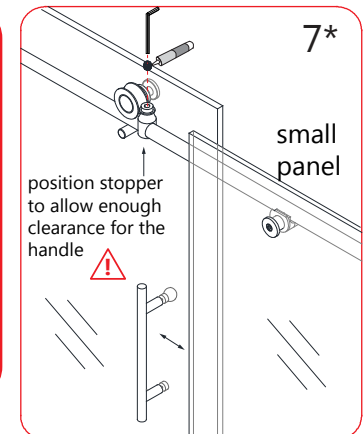
door side of opening
48" and 60" models
(right-hand return panel shown as an example)

Door Stopper Installation:

1. Remove the set screw
2. Slide the **Door Stopper (#01)** onto the **Upper Guide Rail (#03)**
3. Align with stopper hole (stationary panel side only)
4. Apply **Thread Lock Adhesive (#26)** to the set screw threads
5. Tighten screw into the stopper hole on the stationary panel side
6. Correctly position the door side stopper and tighten the set screw with **Thread Lock Adhesive (#26)** (Fig 35b)



Note: If installing the 72" model, position the door-side stopper so that the handle cannot make contact with the small inline panel glass when the door is in the closed position. ⚠



(ENIGMA-X Right hand door installation shown as an example)

Fig 35b

72" model with Right hand door installation

33. Apply a good quality mildew-resistant silicone along the interior perimeter where the glass meets the wall and threshold and also along the **Anti-Splash Guard (#15)**. (Fig 36)



Allow 24 hours for the silicone to cure before using the shower.

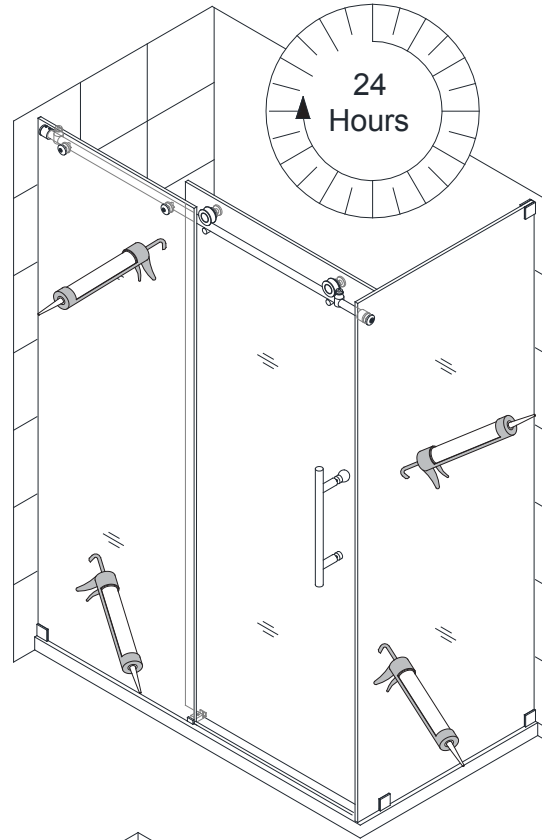
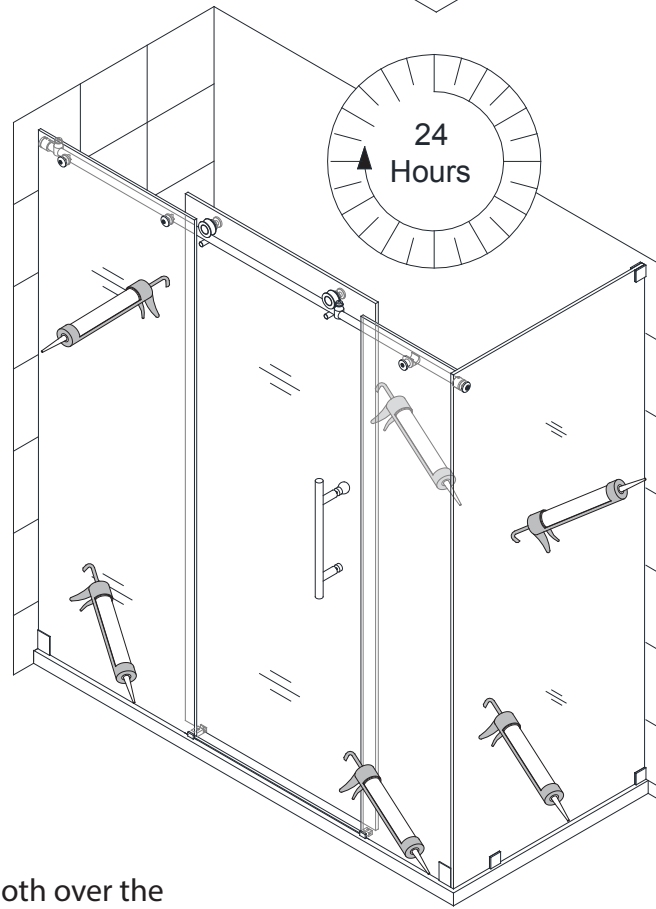


Fig 36



Do Not hang or drape a towel or wash cloth over the Enigma guide rail as this may cause the roller wheels to get stuck and possibly cause serious damage or injury.

Enigma Roller adjustment procedure for Enigma and Enigma-X

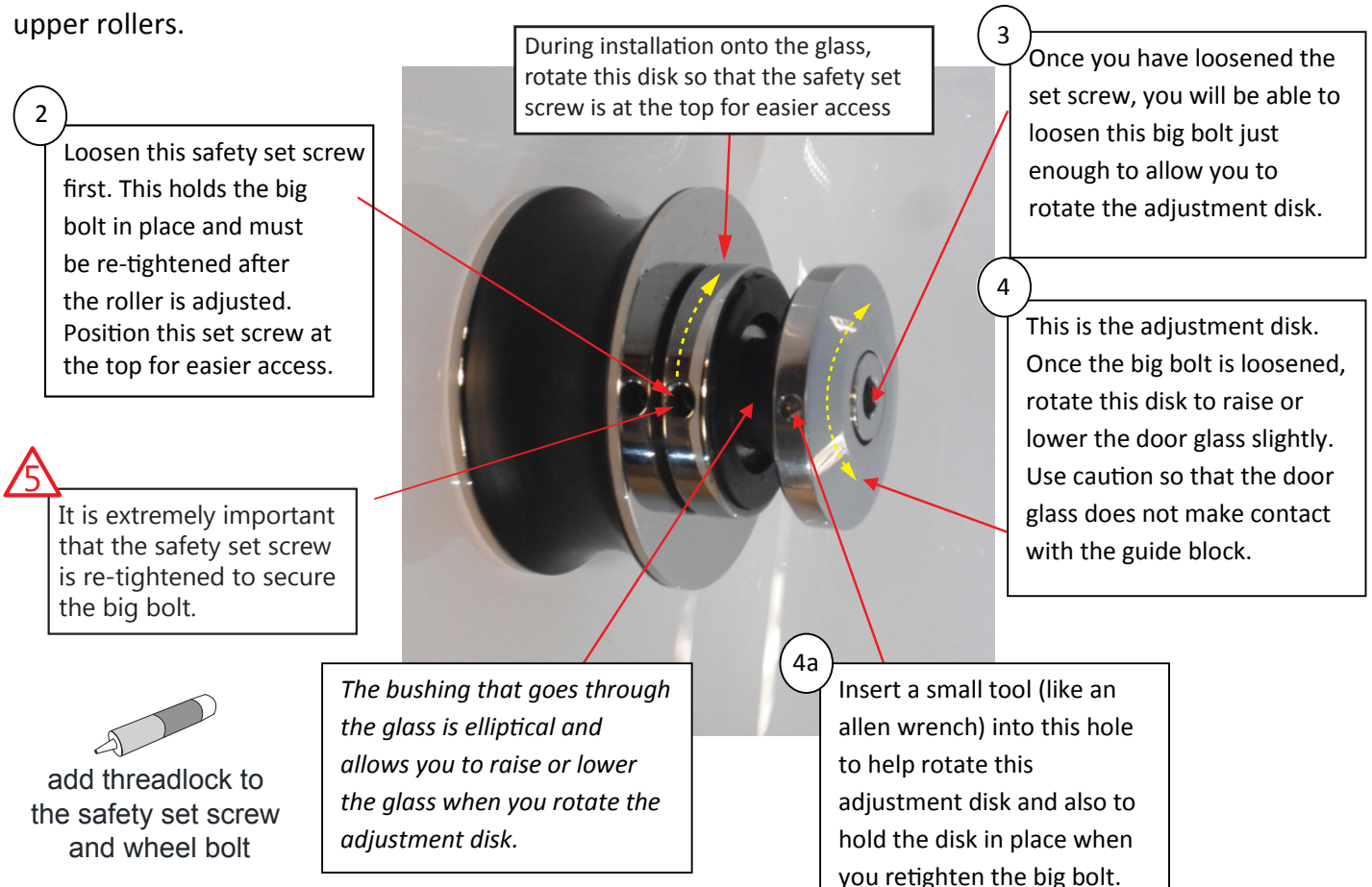
To achieve minimal clearance beneath the door glass without making contact with the bottom guide block and creating a good seal with the wall.

Have at least two 3/16" shims or wedge shims (to maintain space beneath the door glass) and an assistant available to help with this procedure.

You should adjust only one wheel at a time and you may need to perform these steps more than once to get the desired results.

Caution: The door glass is heavy and may require two people to safely accomplish these steps.

1. First, loosen and lower either the Roller Guards (Enigma-X) or Bottom Rollers (Enigma) to allow you enough room to adjust the upper rollers. (If you have not installed these yet, you will be instructed to in step #7 after these adjustments are made)
2. Loosen the safety set screw on the roller. (See note 2 below)
3. Loosen the big bolt just enough so that you can rotate the adjustment disk. (See note 3 below)
4. Rotate the adjustment disk to raise or lower the door slightly with help from an assistant. You can use a small tool (like an allen wrench) to aid in turning this disk by inserting it into the small hole on the edge of the adjustment disk. (see note 4 & 4a below)
5. While holding the adjustment disk in place, retighten the big bolt. Use a shim or have an assistant hold the door glass in place while you retighten the big bolt.
6. Re-tighten the safety set screw to hold the big bolt in place (see note 5). Test the operation of the door.
7. *For the Enigma-X:* Reposition the rollerguards approximately 1/16" beneath the guide rail and retighten. *For the Enigma:* adjust the lower rollers to make contact with the rail in the same manner as the upper rollers.



Product Maintenance

BASES and BACKWALLS: To ensure long lasting life for your acrylic back walls: wipe them off after each use with a soft cloth. To clean the acrylic back walls use non-abrasive sprays or cream based cleaners. Avoid the use of aerosol spray cleaners. Never use abrasive cleansers, metal brushes or scrapers that could scratch or dull the surface.

GLASS: To ensure long lasting life for your glass shower products: wipe them off after each use with a soft cloth. Rinse and wipe off the glass using either a soft cloth or a squeegee to prevent soap buildup and water spots (Hard water can etch the surface of the glass over time if left to dry). To prevent scratching the surface: never use abrasive cleaners or cleaning products that contain scouring agents. Never use bristle brushes or abrasive sponges that may scratch the surface.

HARDWARE: To ensure a long lasting finish: wipe off the metal parts after each use with a soft cloth. Do not use abrasive cleaners or cleaning products containing ammonia, bleach or acid. If accidentally used, rinse the surface as soon as possible to prevent damage to the finish (peeling or corrosion). After cleaning the polished finishes, rinse thoroughly and wipe dry with soft cloth. Clean stainless steel surfaces at least once a week. When applying stainless steel cleaner or polish to stainless steel hardware, work with (not across) the grain. Never use an abrasive sponge or cloth, steel wool or wired brush as these may permanently scratch the surfaces.

NOTE: To maximize the life of your door, it is important to regularly inspect the glass and other hardware for misalignment, proper attachment, and/or damage. Contact DreamLine® with any questions or concerns.

Enigma-X Maintenance checklist

- Guide rail** level and tight
- Guide rail brackets** tight to the walls
 - o All set screws tight
- Inline** and **Return Panel glass** secure
- Panel glass brackets** tight
- Guide block** square to the threshold and glass
- Proper clearance beneath the door glass between the threshold and within the guide block
- Door Glass** adjusted so that the **Bulb vinyl seal** makes even contact with the return panel glass
- Wheel assemblies** tight
 - o Wheel **roller bolts** tight
 - o Wheel assembly **safety set screws** tight and accessible
- Stoppers** tight and positioned correctly
 - o **Panel-side stopper** installed into the pre-drilled hole in the guide rail
 - o Adequate **Handle clearance** when the door is fully open
 - o **Door-side stopper** positioned at approximately 3" (+/- 1/8") (as measured from the return panel glass to the center of the stopper)
- Stopper** stops the door and bulb vinyl seals to the return panel glass
- SafeStop bumper** secure to the wall
- Roller guards** positioned within 1/16" beneath guide rail
- Remove vinyl seals to **inspect the edges of the door glass** for concealed damage
 - o **Damaged glass must be replaced!**
- Replace damaged or missing vinyl seals



TEL: 866-731-2244
FAX: 866-857-3638
DREAMLINE.COM

For more information on DreamLine[®] Shower Doors and Enclosures please visit **DreamLine.com**