

C80 Shower Column Installation Manual

Installation:

1. Refer to Fig.1 to locate screw positions on the wall. Drill hole, insert in the **Anchors (5)**, then screw **ST4X30 (1)** in holes and stop screwing when 3/16" length of the screw is left outside. See fig. 1 for details.
2. Install the **Shower outlet (3)**. See fig. 2 for details.
3. Connect both hot&cold water supply lines..
4. Suspend the shower column on the screws on the wall.
5. Install the **Shower hose (4)** and connect the **Hand shower (2)**.

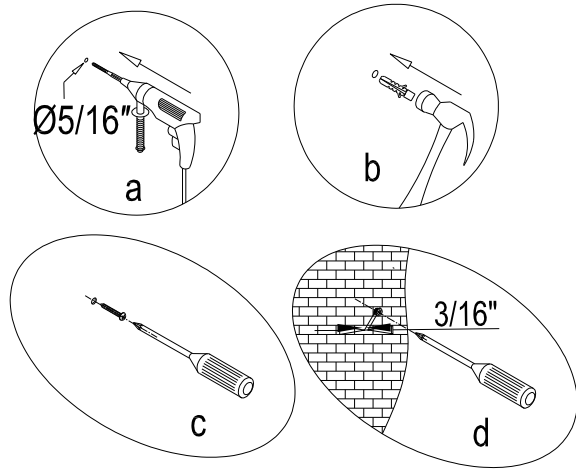


Fig. 1

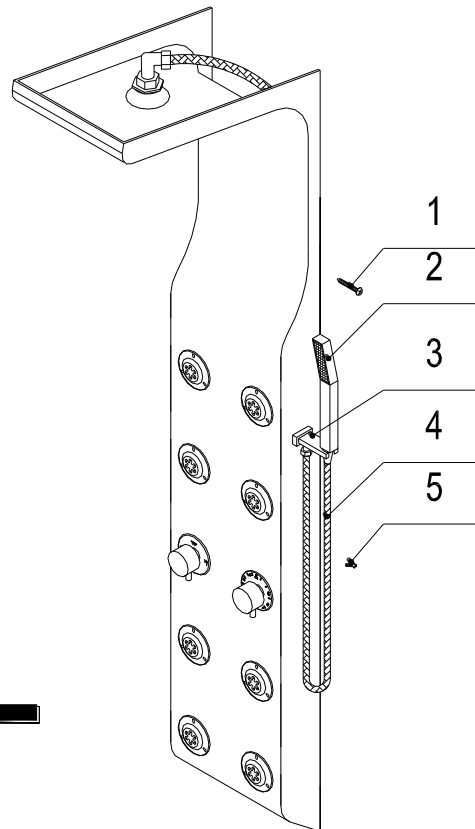
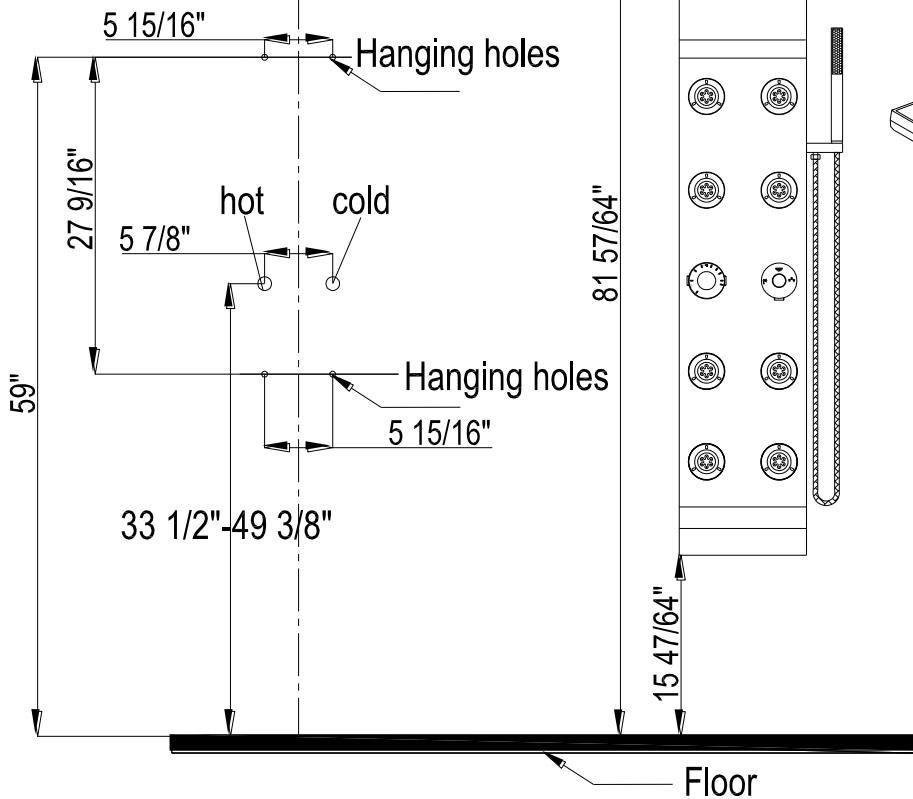


Fig. 2

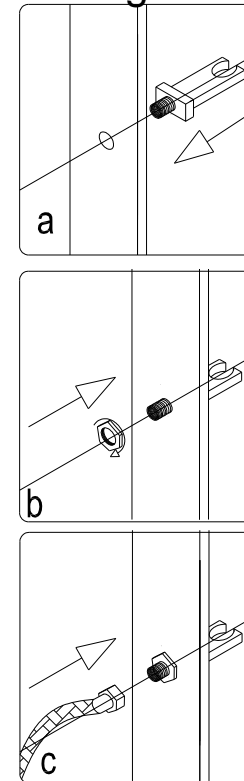


Fig. 3

