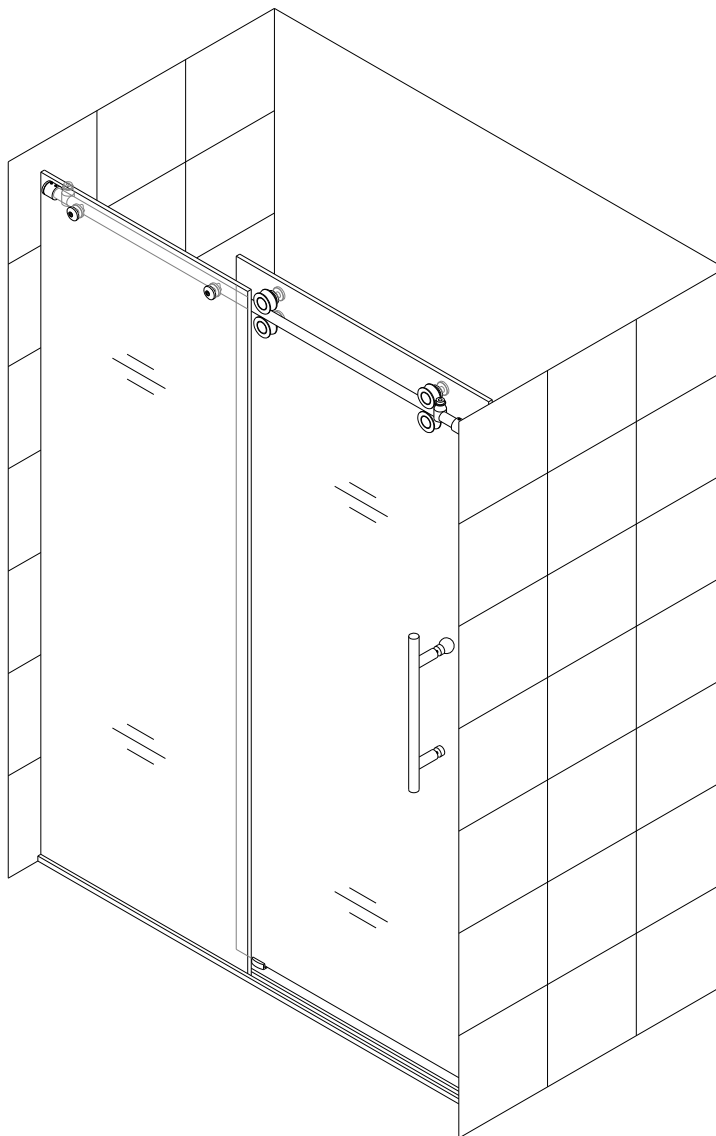




ENIGMA Shower Door Installation Manual

Important

Please carefully read the following instructions before installing your shower door. If you have any questions on this shower door installation, please call our technical support specialists Monday to Friday 9:00AM – 5:00PM EST at 1-866-731-8378 Option 3 or e-mail our technical support group at support@BathAuthority.com



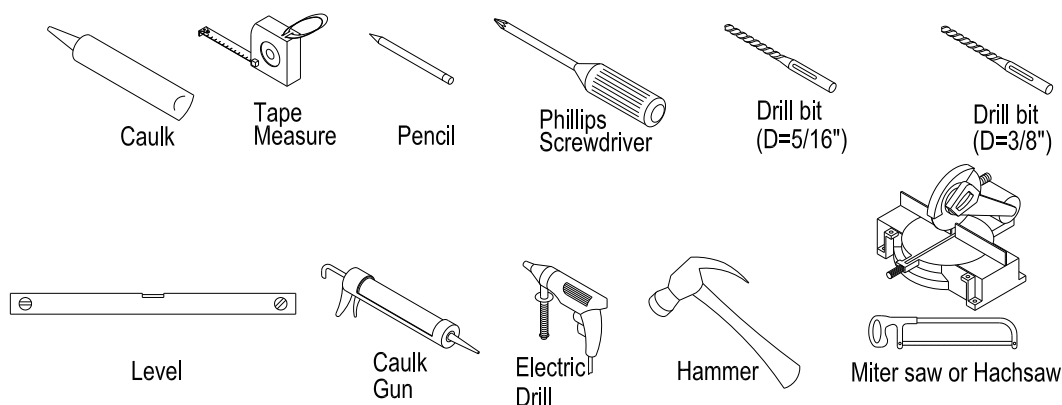
Our product may have changes without prior notice

Attention: This door is extremely heavy and requires professional installation.

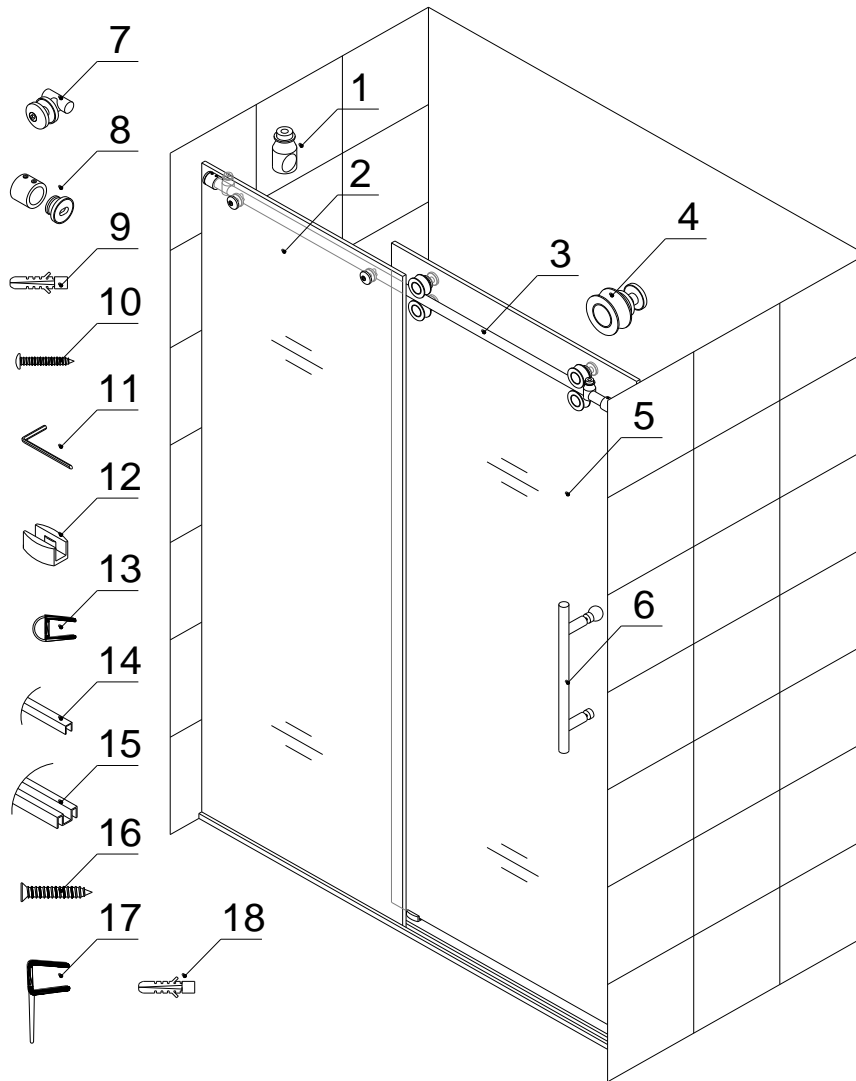
Preparation

1. After opening the boxes, read this introduction carefully, check all the packed parts are complete by cross checking all the components against the "Detailed Diagram of Shower Door Components". Examine for shipping damage. If the unit has been damaged or has a finishing defect, please contact your local distributor within 3 business days. Please note that **Bath Authority™ / DreamLine™ will not replace any damaged product or parts free of charge after 3 business days or if the product has been installed.** Contact your distributor or DreamLine if you have any questions.
2. **Please note that you should consult your local building codes on questions on installation compliance standards. Building and plumbing codes vary by location, and DreamLine is not responsible for code compliance standards for your project.**
3. Please ensure that prior to the installation the floor is leveled and solid. Also make sure the walls are at right angles. While some adjustment in leveling of the door is possible, irregular floor level or improper angle of side walls will result in serious problems for your installation. Please note that there are some adjustments and drilling might be necessary during the installation process.
4. This unit has to be installed against finished floor and walls.
5. This door requires 3 1/2" wide threshold or installation space.
6. **Please note, step 6 is for installation of the door to the wall using anchors. However, the manufacturer strongly suggest to install this heavy doors on preinstalled 2x4 wood reinforcement behind the wall and attach the Wall brackets to it.**

Tools Required



Detailed Diagram of Shower Door Components



Packing List

01	Stopper	2pcs	10	Round head screw ST6×45	2pcs
02	Stationary glass	1pc	11	Allen keys 3mm, 4mm and 5mm	1set
03	Running rail	1pc	12	Guide block	1pc
04	Roller	4pcs	13	Door edge strip	1pc
05	Sliding door	1pc	14	Threshold cover	1pc
06	Handle	1pc	15	Threshold	1pc
07	Glass bracket	2pcs	16	Countersunk screw ST4.2×30	6pcs
08	Wall bracket	2pcs	17	Anti-water strip	2pcs
09	Large anchor 3/8"	2pcs	18	Small anchor 5/16"	6pcs

After you have checked that all components are there, you will be ready to start the installation of your DreamLine shower door.

Installation

1. Measure the distance between two finished walls (**W**) for your shower enclosure. See fig.1 for details.
2. Measure the length of the **Running rail (03)** which is **L**. If $(L + 1\ 3/16") \leq W \leq (L + 1\ 9/16")$, it is unnecessary to cut the rail and you can continue to Step 3. And if $W < (L + 1\ 3/16")$, then you need to cut from the end of the running rail which is farther from the **Glass brackets (07)** hole. The length to cut off will be **L1**: $L1 = (L + 1\ 3/16" - W)$. See fig. 2 for details.
3. Measure the length of the **Threshold (15)** which is **D**. If $D=W$, you don't need to cut it. But if $W < D$, you have to cut the **Threshold** to size. The length to cut off will be **D1**: $D1 = (D - W)$. See fig. 3 for details.
4. Place the **Threshold (15)** into the desired position and mark the holes for drilling on the floor. Remove the rail, drill the holes in the floor and insert **Small anchors 5/16 (18)**. Apply silicone on the bottom of the **Threshold**, place it back into the chosen position and attach it to the floor with **Countersunk screws ST4.2x30 (16)**. See fig. 4 for details.
5. Attach the **Running rail (03)** to the **Stationary glass panel (02)** with the preinstalled **Glass bracket (07)**. Slide the **Stoppers (01)** from each end of the running rail and temporarily secure them on the rail. Then slide the **Wall brackets (08)** on each end of the **Running rail** and temporarily secure them as well. See fig. 5&6 for details.

Before you install the Stationary glass panel (02), you have to take the Sliding door (05) into the shower room and lean it on the wall.

6. a) Place the **Stationary glass panel** on the threshold and push the bottom edge into the groove of the **Threshold**. Push the **Stationary glass panel** against the wall (**Please note that the Running rail shall now be seen inside the enclosure**). Make sure the **Stationary glass** and the **Running rail** are leveled. If a horizontal adjustment is required, adjust it in the **Glass brackets**. See fig. 7 for details.
b) Slide the **Wall brackets** on the rail against the walls and mark their positions with a pencil. Take off the glass panel. Using the **Wall brackets** mark the holes for drilling on the walls and drill the holes. Insert the **Large anchors 3/8" (9)** and screw the male parts of the **Wall brackets** onto both walls using the **Round head screw ST6x45 (10)**. See fig. 8 for details.
c) Apply a small amount of silicone to the **Threshold** channel. Place the **Stationary glass panel** back in position and attach both female parts of the **Wall brackets** to their male parts on the walls. Tighten the fastening screws on the **Wall brackets** to secure the running rail to the walls. See fig. 9 for details.
7. Place the **Guide block (12)** on the floor and parallel it to the **Stationary glass panel** with its edge flush with the glass vertical edge. Take a measurement to ensure the distance from the outer surface of the glass to the center line of the guide block is **2 3 /16"**, hold it firmly and mark hole positions on the floor. Remove the block, drill holes in the floor, insert anchors in and then secure it onto the floor with the **Countersunk screw ST4.2x30**. See fig.10 for details.
8. Attach two top **Rollers (04)** onto the **Sliding door (05)**. Suspend the door by hanging the rollers onto the **Running rail** and slide the bottom edge of the **Sliding door** in the groove of the **Guide block**. Adjust the fasteners on both top rollers to ensure that the bottom edge of the glass does not touch the bottom of the guide block. Then mount two lower **Rollers (04)** onto the door to secure the door to the **Running rail**. See fig. 11&12 for details.
9. Refer to Step 3 to cut the **Threshold cover (14)** to size if necessary. Push the **Threshold cover** onto the threshold when the door is in the opened position. Mount the **Handle (06)** to the door. See fig. 13 for details.

10. Push the **Door edge strip (13)** on the sliding door and also push the **Anti-water strip (17)** on the stationary glass and the sliding door. See fig. 14 for details.
11. Adjust both **Stoppers (01)** to ensure that they are positioned upright and the door is in its maximum opening and closing range. Secure it in place. See fig. 15 for details.
12. Seal with silicone between the glass panels and the walls. See fig. 16 for details.

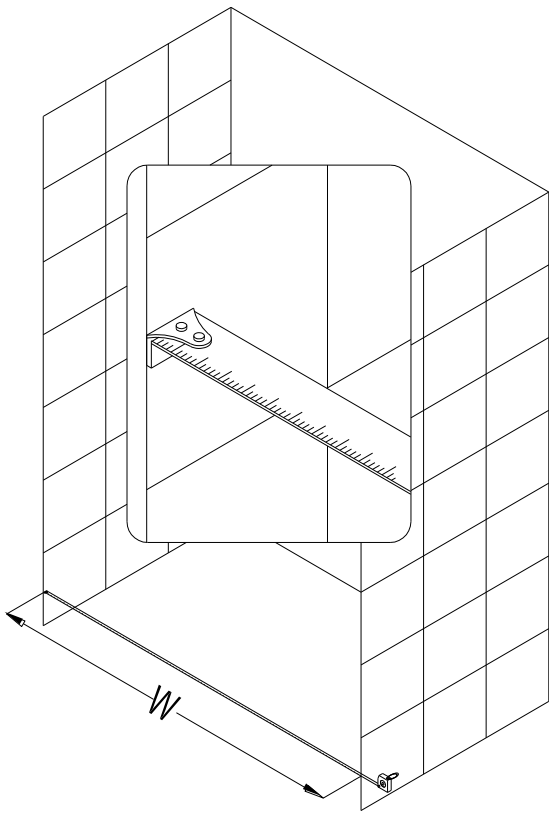


Fig. 1

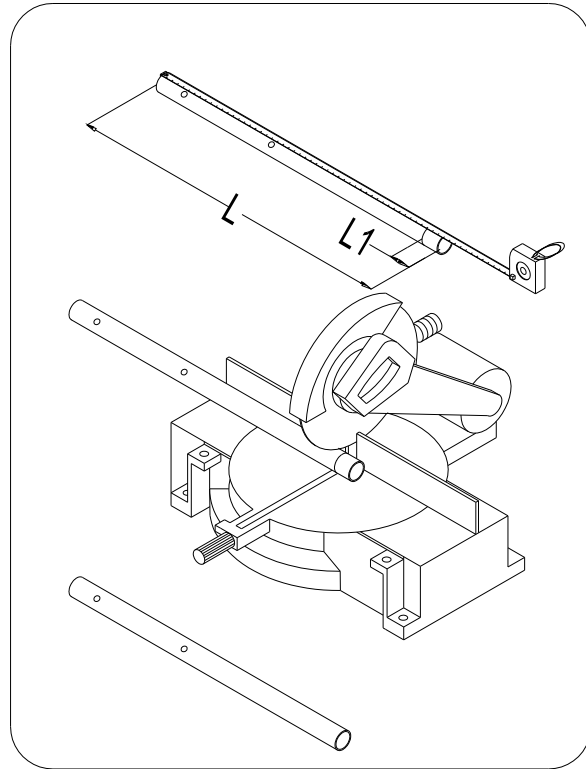


Fig. 2

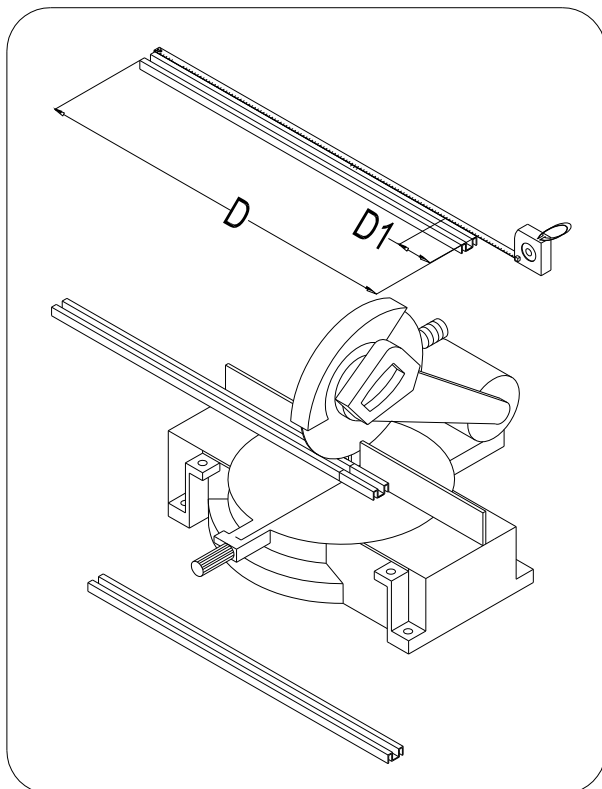


Fig. 3

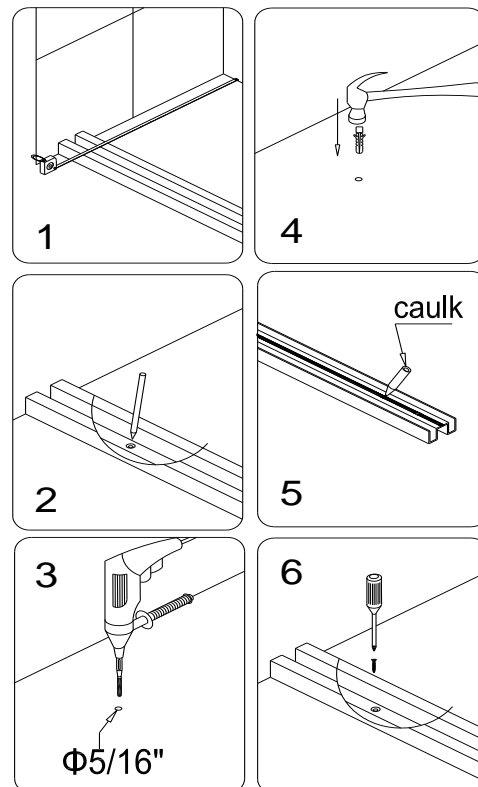


Fig. 4

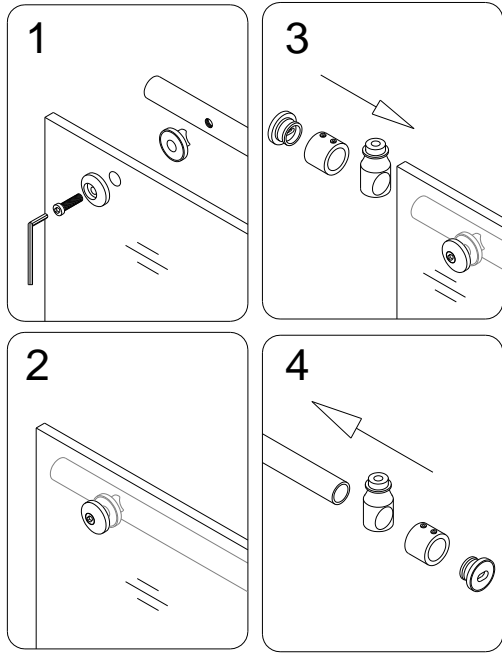


Fig. 5

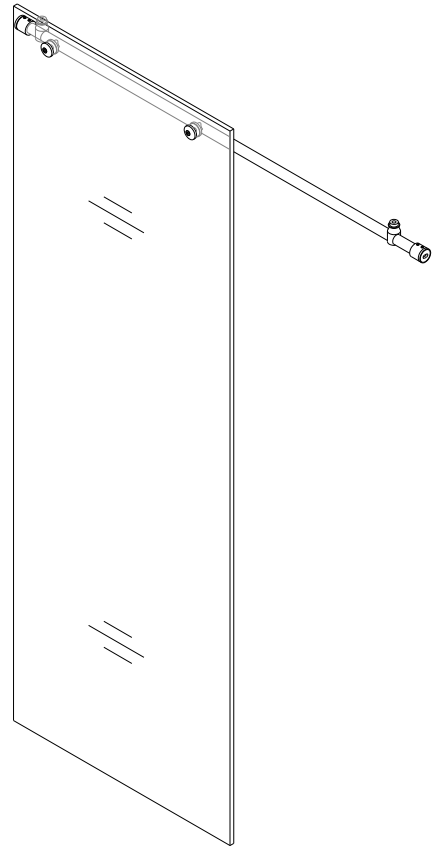


Fig. 6

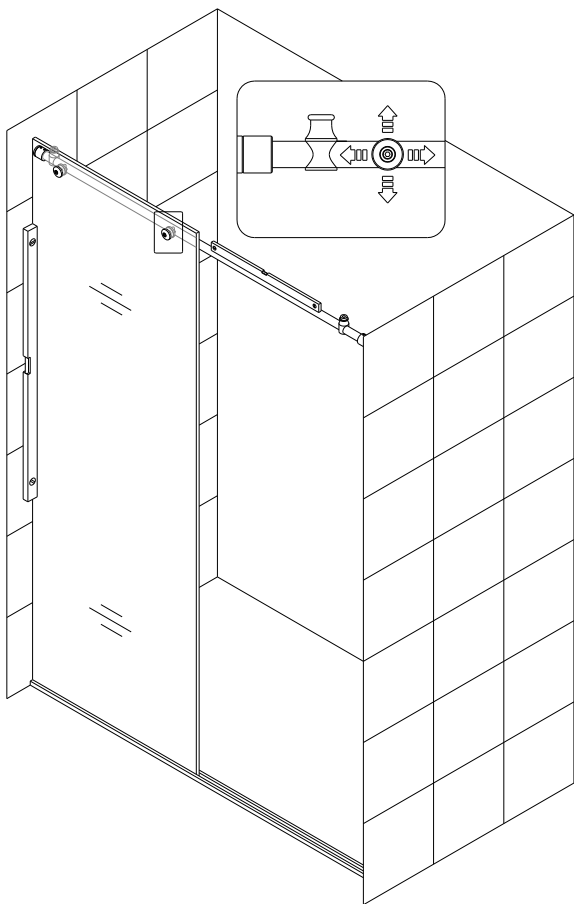


Fig. 7

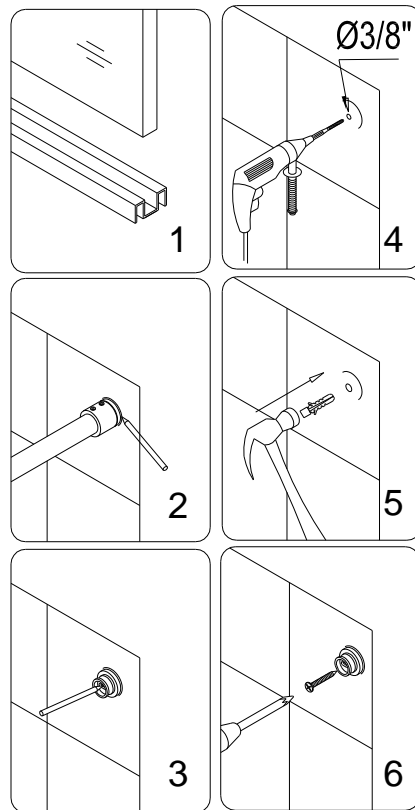


Fig. 8

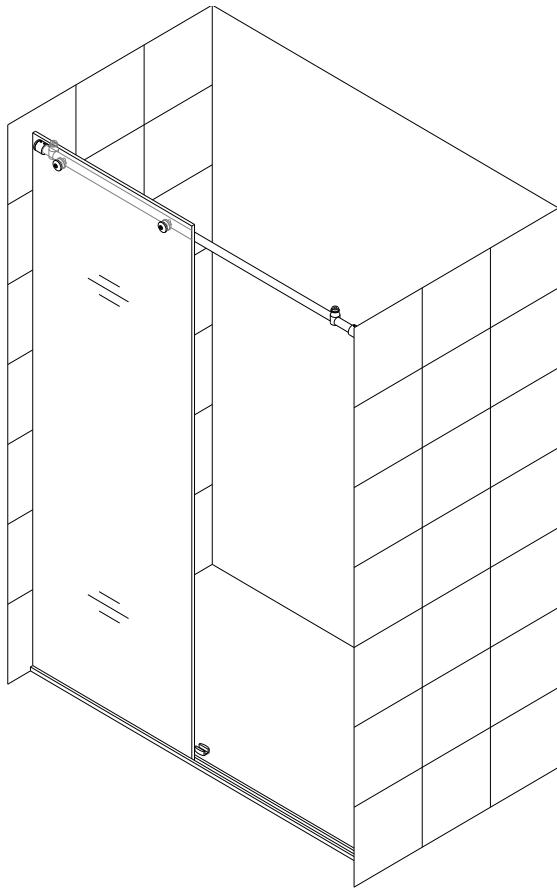


Fig. 9

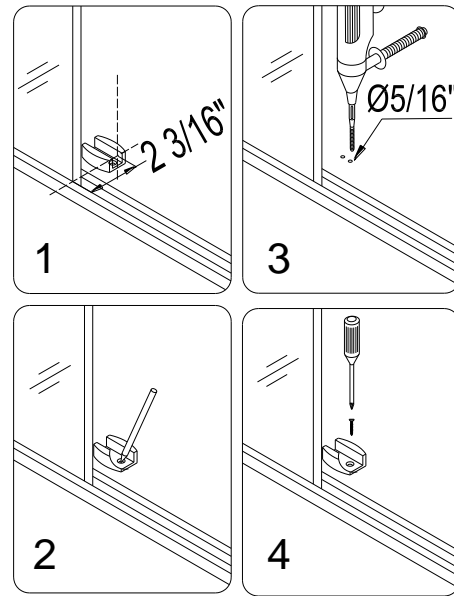


Fig. 10

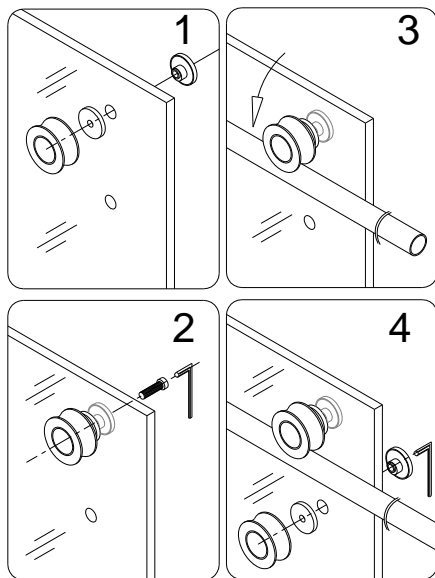


Fig. 11

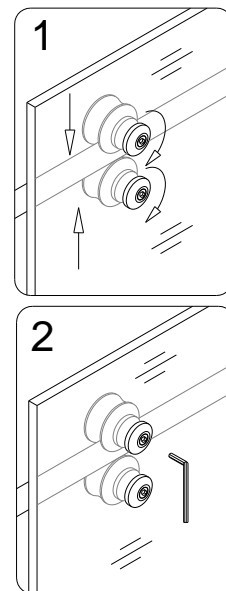


Fig. 12

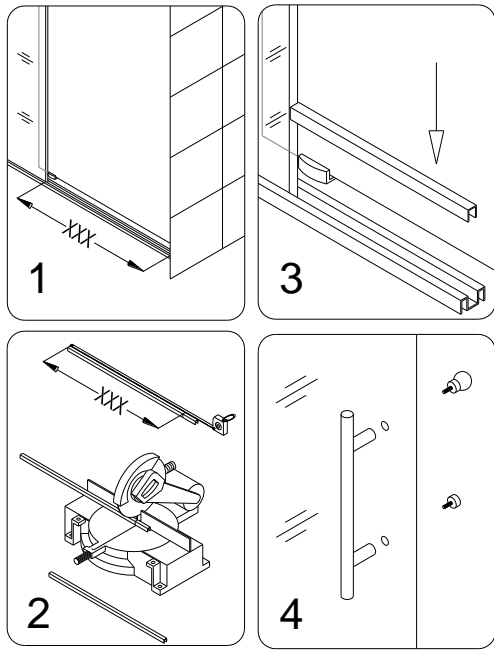


Fig. 13

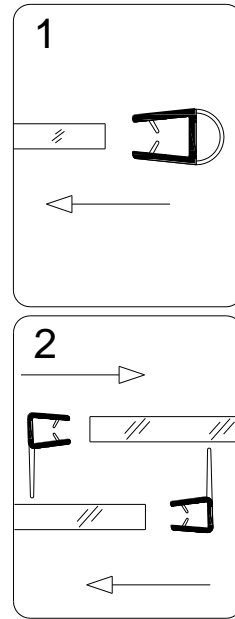


Fig. 14

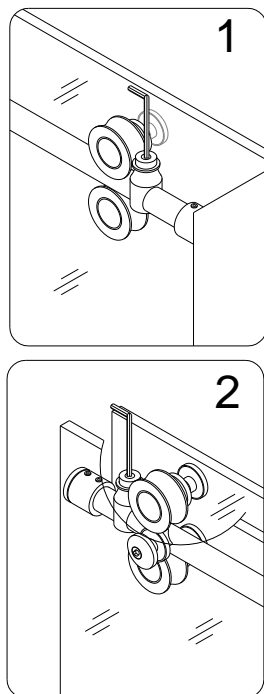


Fig. 15

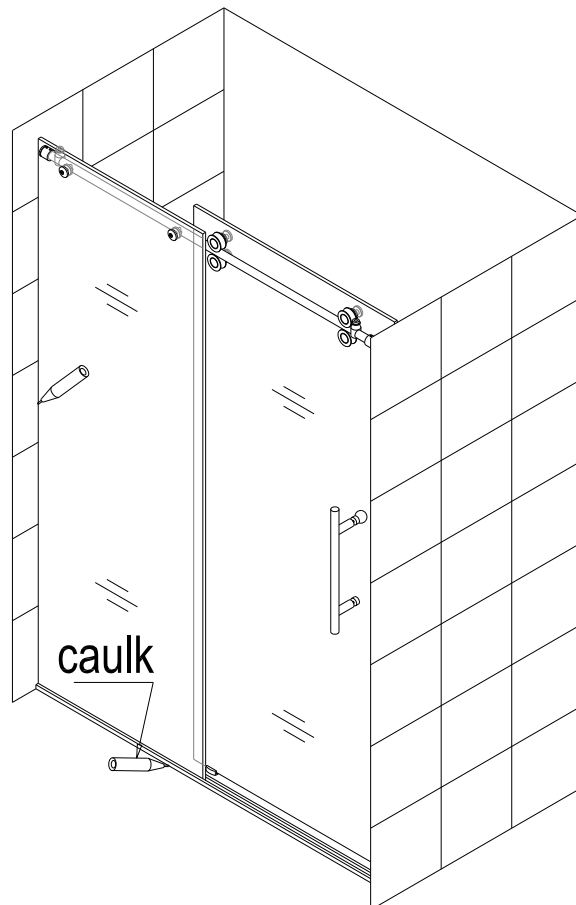


Fig. 16

Maintenance

1. Tempered glass can be cleaned with nonabrasive bathroom cleaner or any glass cleaner you use elsewhere in your home. Rinse off any glass cleaner. Avoid striking it with any sharp or hard objects. Such damage can cause either immediate or delayed breakage of tempered glass.
2. Maintenance of the wheel:
 - A: Use a small amount of the lubricating oil to keep roller movement smooth.
 - B: Adjust wheel screw periodically to guarantee moving door effective bearing and sliding.