

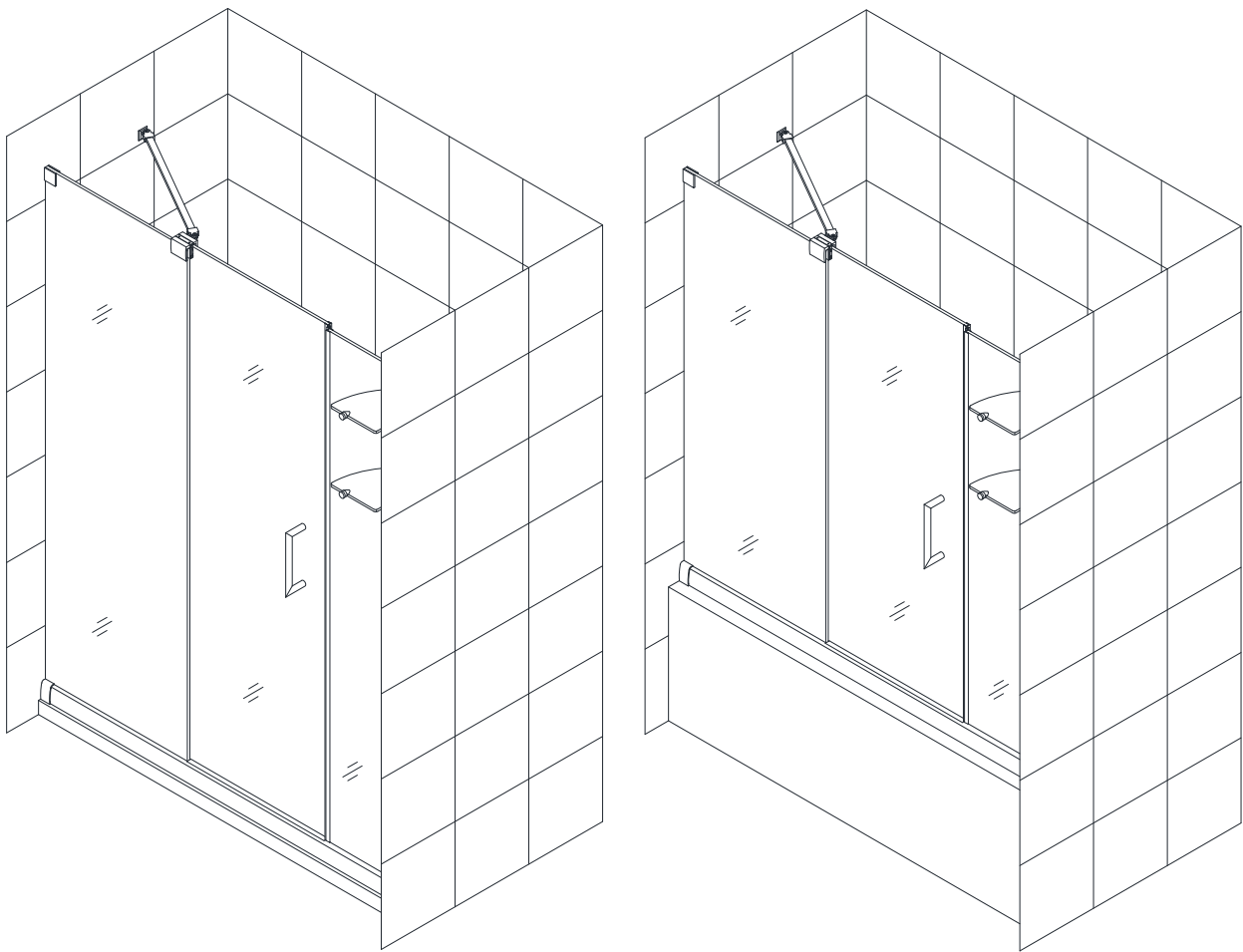


## MIRAGE

### SHOWER DOOR & TUB DOOR INSTALLATION INSTRUCTIONS

#### IMPORTANT

DreamLine™ reserves the right to alter, modify or redesign products at any time without prior notice. For the latest up-to-date technical drawings, manuals or any other details please refer to the [support.BathAuthority.com](http://support.BathAuthority.com) web page.



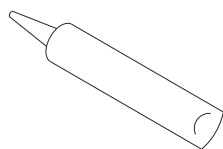
Please carefully read the instructions before installing. If you have any questions regarding installation, please call our technical support specialists Monday through Friday 9:00 AM – 5:00 PM EST at 1-866-731-8378, ext. 3 or e-mail our technical support group at [support@BathAuthority.com](mailto:support@BathAuthority.com).

For more information on [DreamLine™ Shower Doors](http://www.BathAuthority.com) please visit [www.BathAuthority.com](http://www.BathAuthority.com)

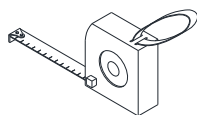
## Preparation

1. After opening all boxes and packages, read this introduction carefully. Check that all of the needed parts are included in the package, by marking all the components on the "Detailed Diagram of Shower Door Components". Examine boxes and packages for shipping damage. If the unit has been damaged, has a finishing defect, or has missing parts, please contact our customer support department within 3 business days of the delivery date. Please note that **DreamLine™ will not replace any damaged products or missing parts free of charge after 3 business days or if the product has been installed.** Feel free to contact DreamLine™ if you have any questions.
2. **Please note that you should consult your local building codes with questions on installation compliance standards. Building and plumbing codes may vary by location, and DreamLine is not responsible for code compliance standards for your project.**
3. Please insure that prior to the installation the installation surface is leveled and solid and will be able to support the total weight of the unit. Also make sure the walls are at right angles. While some adjustment in leveling of the door is possible, irregular installation surface level or improper angle of side walls will result in serious problems for your installation. Please, note that some adjustments and drilling might be necessary during the installation process.
4. **Please, NOTE! This door does not have out-of-plumb adjustment. Make sure your walls are at right angles.**

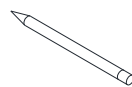
## Tools Required



Caulk



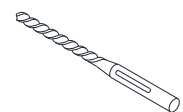
Tape Measure



Pencil



Phillips Screwdriver



Drill bit  
(Ø 5/16")



Level



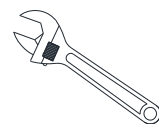
Caulk Gun



Electric Drill

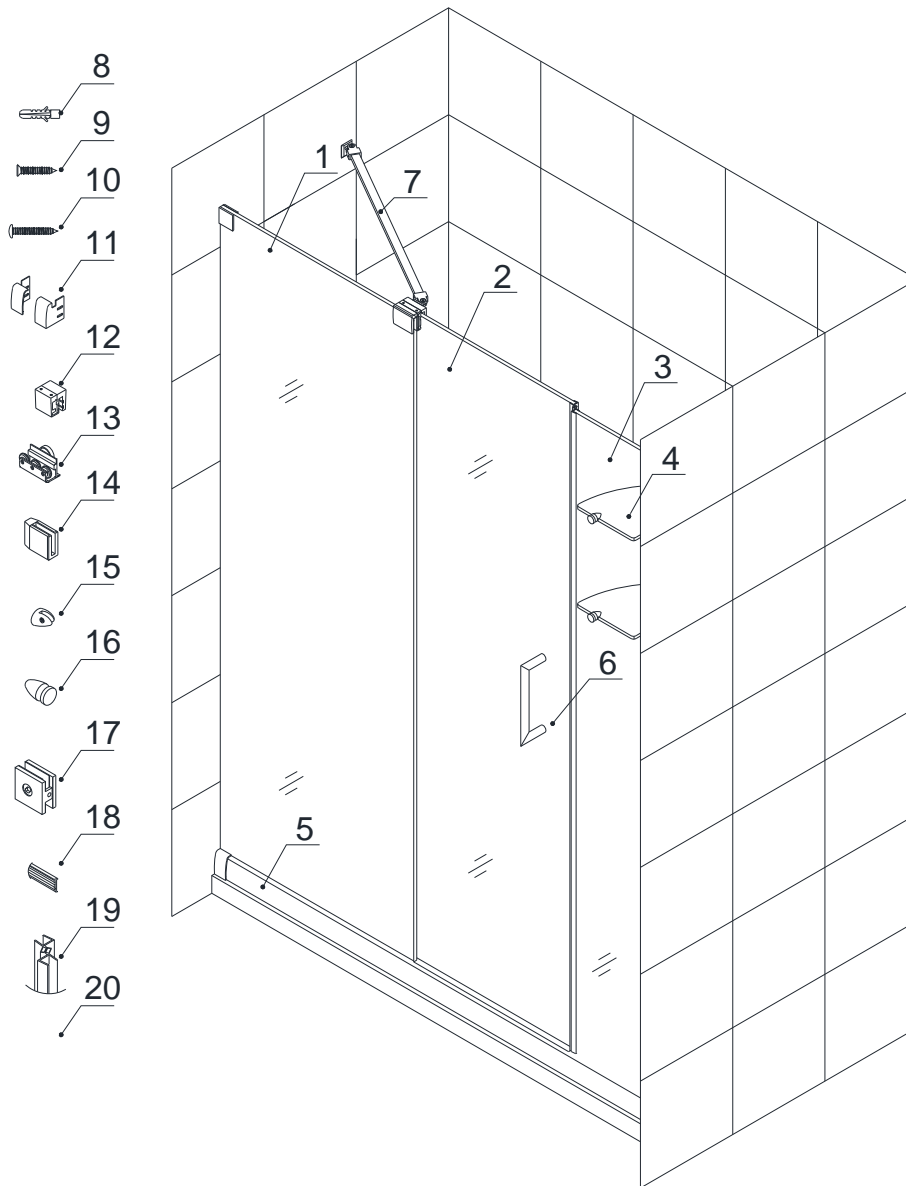


Hammer



Wrench

## Detailed Diagram of Shower/Tub Door Components



### Packing List

01	Stationary glass1	1pc	11	Guide rail connector	1pair
02	Glass door	1pc	12	Sliding Bracket assembly	1pc
03	Stationary glass2	1pc	13	Roller assembly	2pcs
04	Glass shelf	2pcs	14	Stopper block	1pc
05	Guide rail	1pc	15	Shelf bracket (without nut)	4pcs
06	Handle	1pc	16	Shelf bracket (with nut)	2pcs
07	Support bar	1pc	17	Wall Bracket	2pcs
08	Wall anchor	11pcs	18	Single side strip	2pcs
09	Countersunk screw ST4.2×25	4pcs	19	Magnetic strip	1pair
10	Round head screw ST4.2×35	7pcs	20	Seal gasket	1pc

**NOTE:** Unpack your unit carefully and inspect it. Lay it out and identify all parts using parts diagram and part list in your manual as a reference. Before discarding the carton, check for small hardware bags that tend to fall to the bottom of the box. If any parts are damaged or missing, please contact DreamLine™ for replacement.

## Shower/Tub Door Installation

**NOTE:** The door can be installed on the shower base, tub or custom threshold.

1. Measure the distance between two walls. This distance is marked as "**W**".

See Fig. 1 for details.

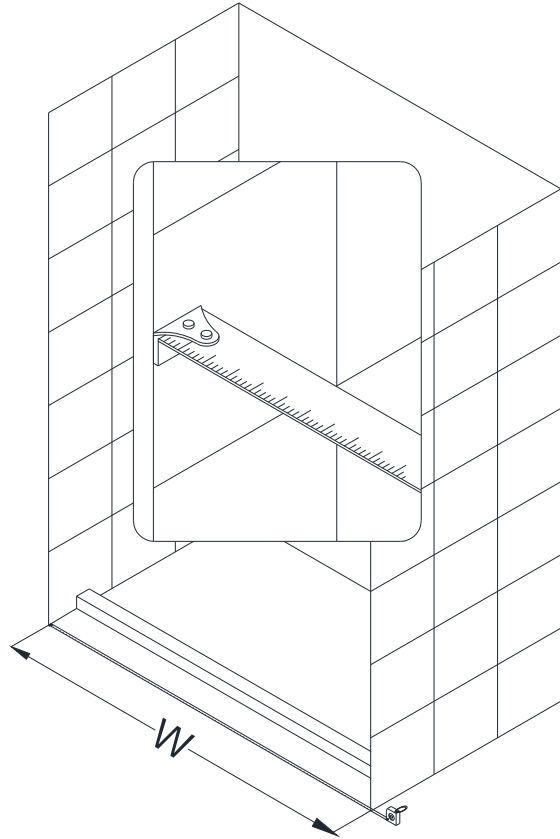


Fig. 1

2. Your **Guide rail (05)** has been precut for installation between the walls with a distance of **60"**.

If **W=60"**, then it is unnecessary to cut the **Guide rail** and you can continue to Step#3.

If **W<60"**, you need to cut the **Guide rail** on one side.

The cutting length will be "**D**"

$$\mathbf{D = (60'' - W)}$$

See Fig. 2 for details.

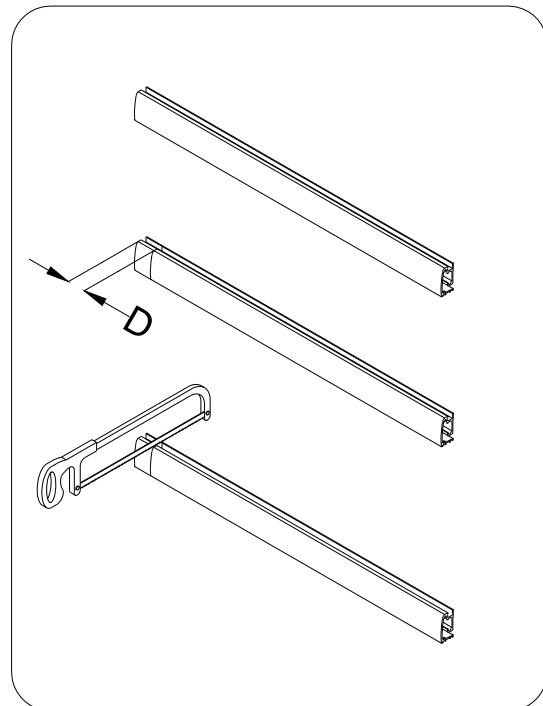


Fig. 2

3. Fasten the **Guide rail connector (11)** to one of the sides of the **Guide rail (05)**. Slide in two **Roller assemblies (13)** from the other end of the **guide rail**. Fasten another **Guide rail connector (11)** to the other side of the **Guide rail**. Place the **Guide rail** in the designated position on the base or the threshold and mark the holes through the predrilled holes on the flange of the **Guide rail connector**. Drill the holes using  $\text{Ø}5/16''$  drill bit and insert the **Wall anchor (08)**. Apply a layer of caulk or silicone to the bottom side of the guide rail. Place the **Guide rail** back on the base or the threshold and secure it with the **Round head screw ST4.2×35 (10)**. See Fig. 3 for details.

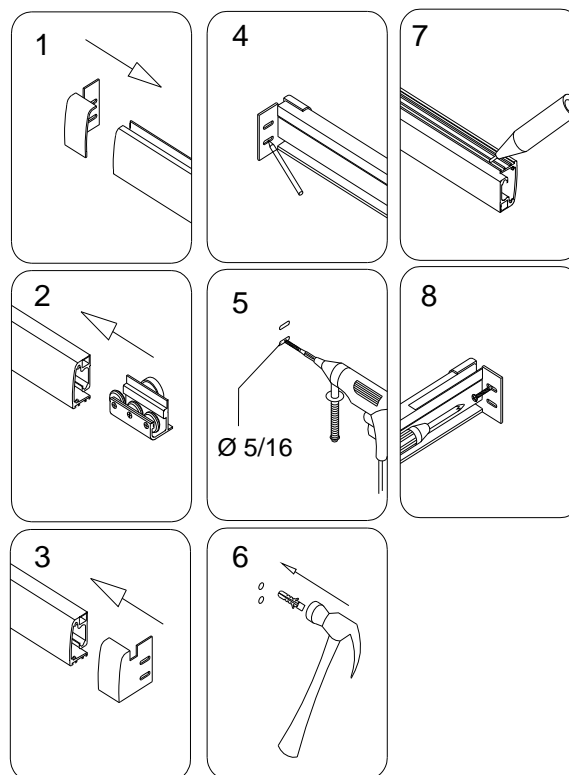


Fig. 3

4. View of the installed **Guide rail (05)** with the **Guide rail connectors (11)**.

See Fig. 4 for details.

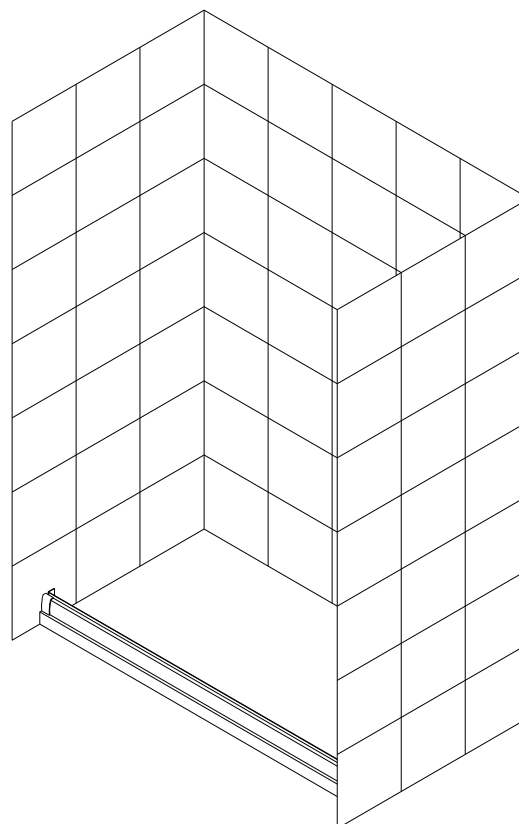


Fig. 4

5. Mount the **Wall Bracket (17)** to the **Stationary glass 1 (01)**.  
Slide the glass into the channel of the guide rail.

See Fig. 5 for details.

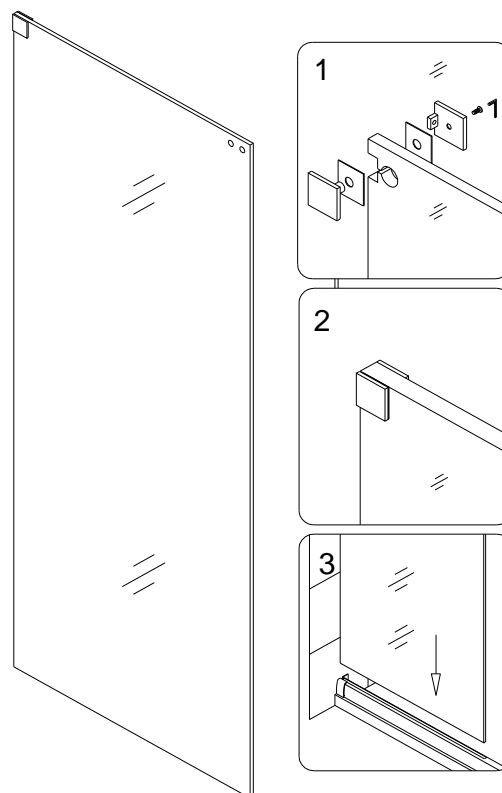


Fig. 5

6. Butt up the **Stationary glass 1 (01)** against the wall and level it vertically

See Fig. 6 for details.

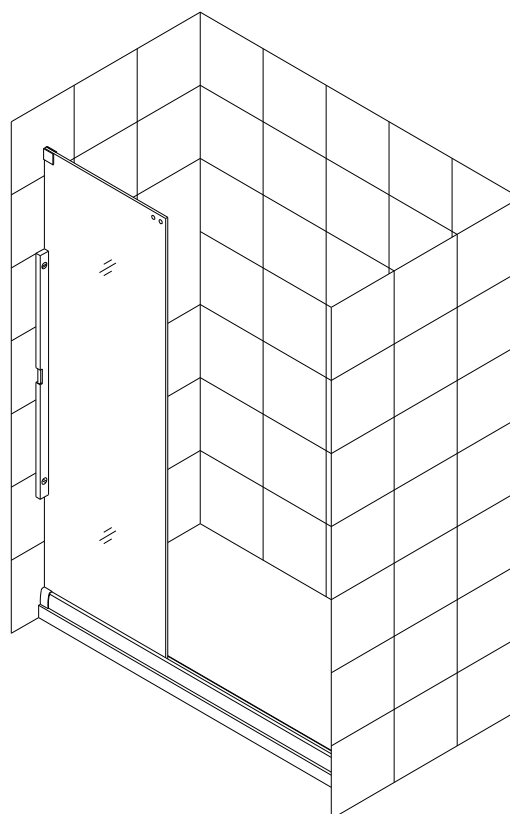


Fig. 6

- Outline the position of the **Wall bracket (17)** on the wall. Set the door aside. Remove the **Wall bracket** from the Stationary glass and by replacing it to the outlined position mark the hole on the wall.

Drill the hole using **Ø 5/16"** drill bit; insert the **Wall anchor (08)** and fasten the **Wall bracket (17)** to the wall with the **Round head screw ST4.2×35(10)**.

Place the **Stationary Glass 1 (01)** back in position and tight it up to the **Wall Bracket (17)**.

See Fig. 7 for details.

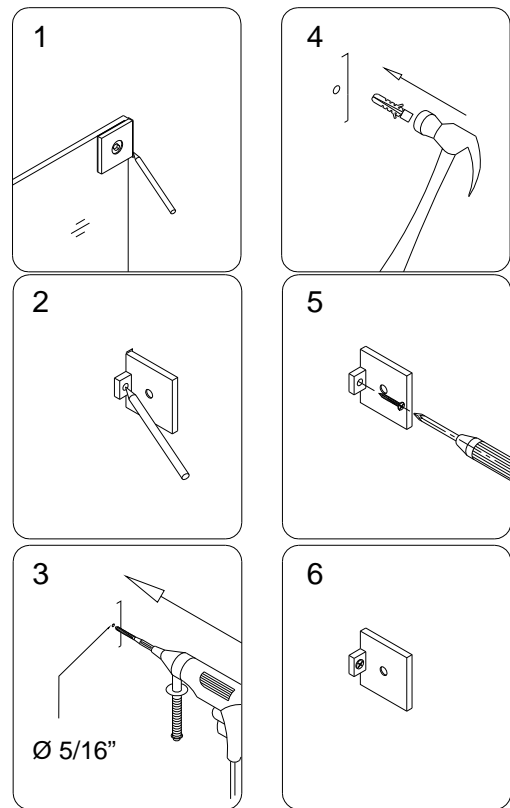


Fig. 7

- Mount the **Wall Bracket (17)** on the **Stationary glass 2 (03)**.

Slide the glass into the channel on the other side of the guide rail.

See Fig. 8 for details.

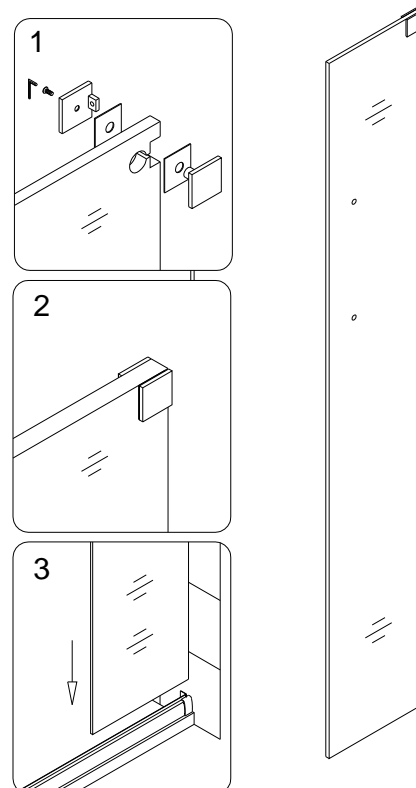


Fig. 8

9. Butt up the **Stationary glass 2 (03)** against the wall and level it vertically.

See fig. 9 for details.

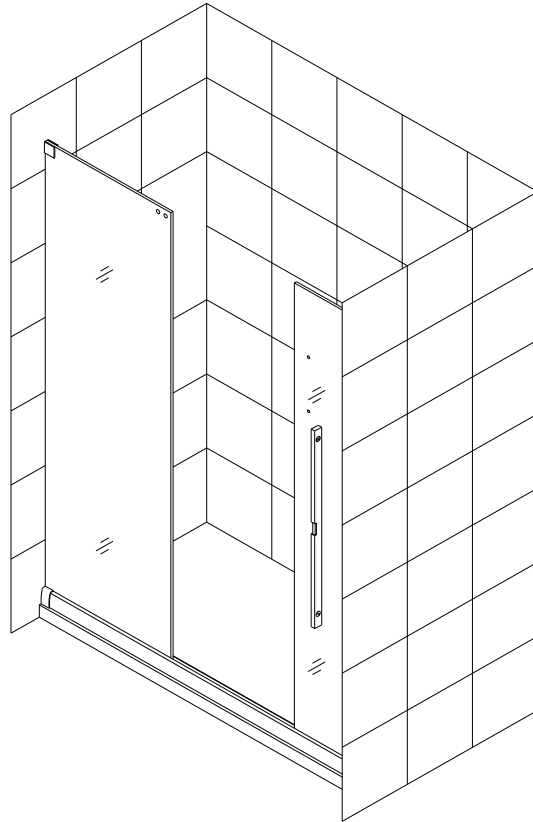


Fig. 9

10. Outline the position of the **Wall bracket (17)** on the wall. Set the door aside. Remove the **Wall bracket** from the Stationary glass and by replacing it to the outlined position mark the hole on the wall.

Drill the hole using  $\text{Ø } 5/16''$  drill bit; insert the **Wall anchor (08)** and fasten the **Wall bracket (17)** to the wall with the **Round head screw ST4.2×35(10)**.

Place the **Stationary Glass 2 (03)** back in position and tight it up to the **Wall Bracket (17)**.

See Fig. 10 for details.

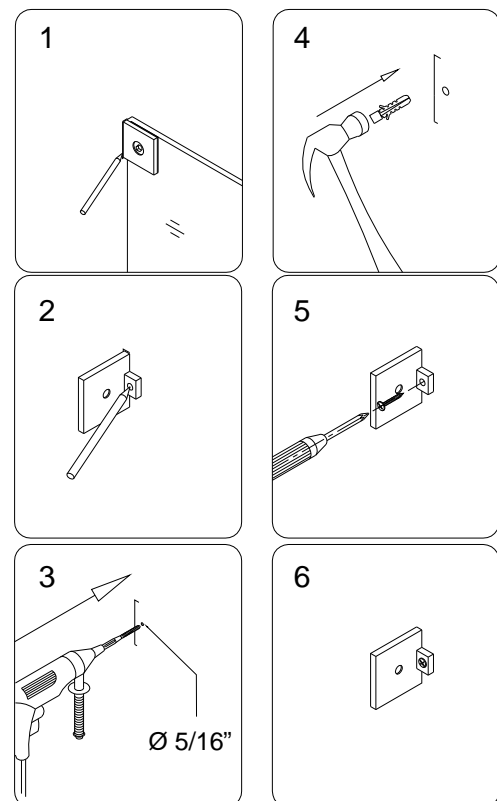


Fig. 10



11. Push the **Single side strip (18)** between the groove of the **Guide rail** and both **Stationary glasses** using wooden shims or other piece of wood.

See fig. 11 for details.

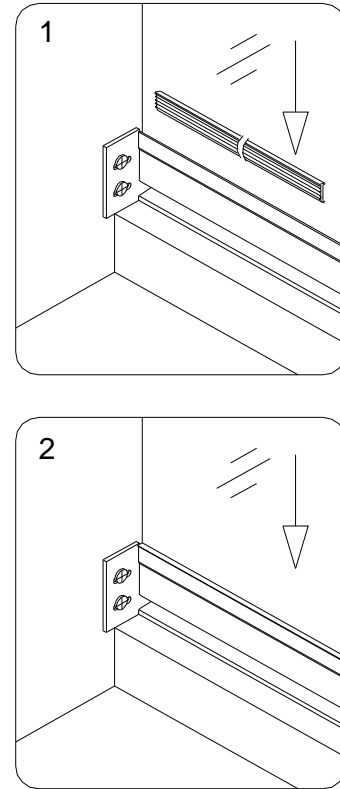


Fig. 11

12. **Glass shelves (04)** are installed to the **Stationary glass 2 (03)**.

Mark the **Glass shelf** position on the wall. According to the measurements in Fig. 12.1, mark drill holes for the shelf brackets.

Drill the holes using  $\varnothing 5/16''$  drill bit and insert the **Wall anchors (08)**.

Attach the **Shelf brackets without nut (15)** to the wall with **Countersunk screw ST4.2×25 (09)** and attach **Shelf brackets with nut (16)** to the **Stationary glass 2**.

Insert the **Glass shelf** into the **Shelf brackets** and tighten the set screws at the bottom of the brackets.

Repeat this step to install the second **Glass shelf (04)**.

See Fig. 12 and Fig. 13 for details.

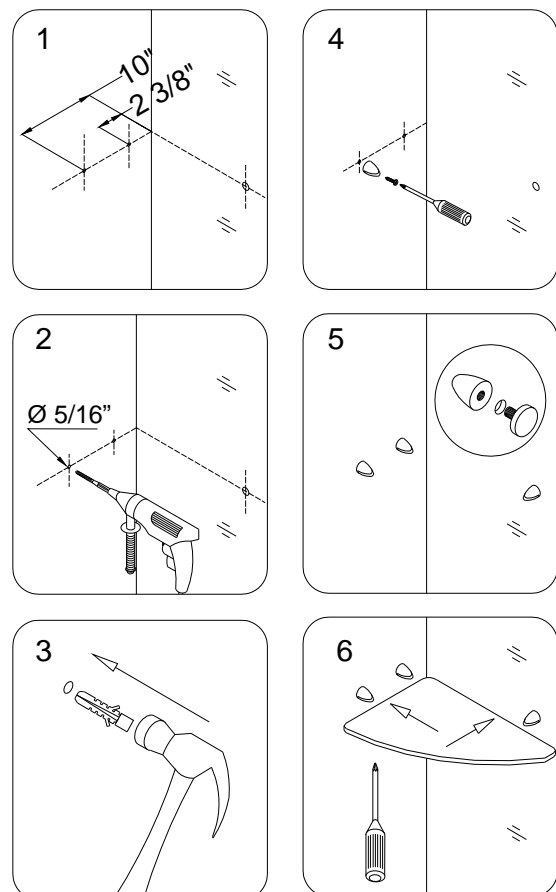


Fig. 12

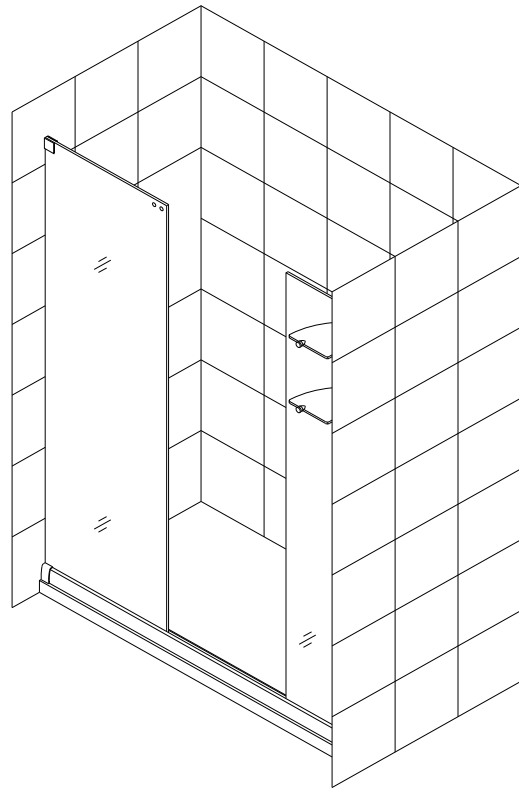


Fig. 13

13. Mount the **Sliding Bracket assembly (12)** on the top of the **Stationary glass 1 (01)**.

See Fig. 14 and Fig. 15 for details.

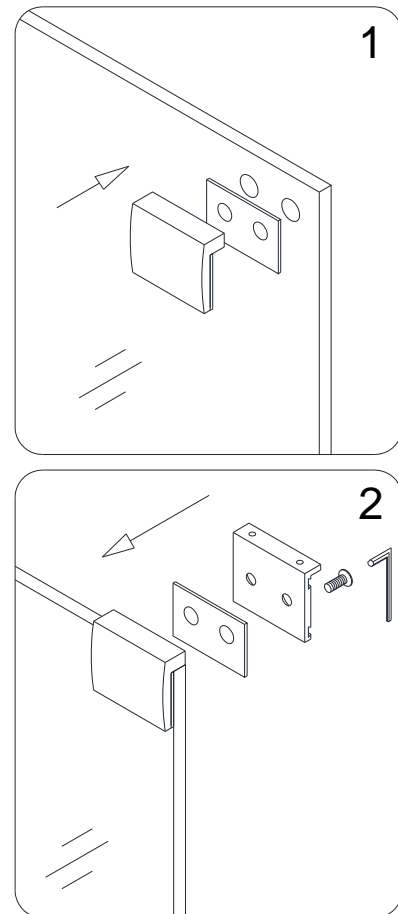


Fig. 14

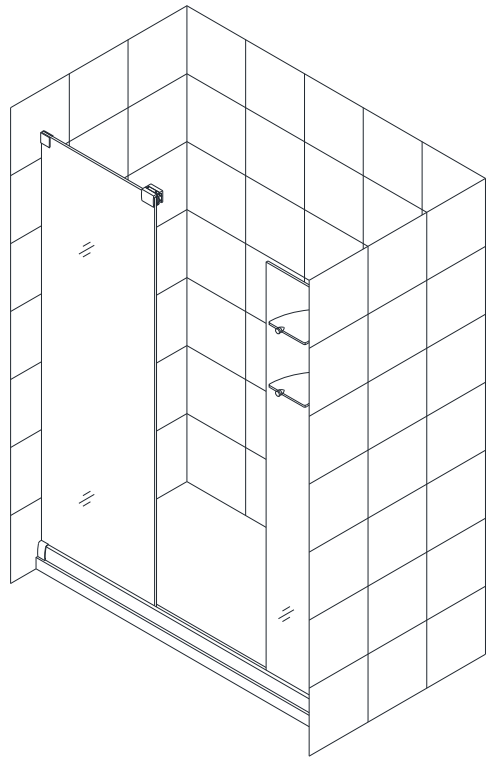


Fig. 15

14. Install the **Stopper block (14)** on the bottom of the **Glass door**.

See fig. 16 for details.

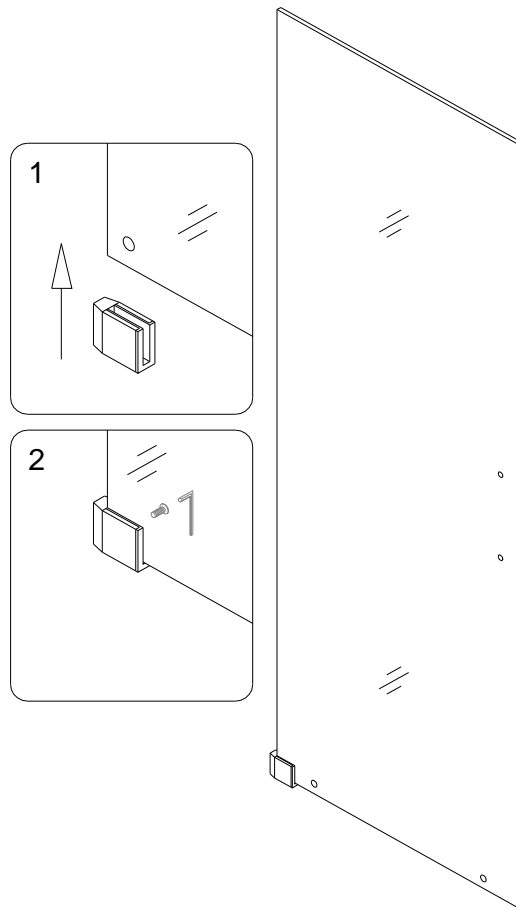


Fig. 16

14. Place the **Glass door (02)** onto the **Guide rail (05)** and fasten the **Roller assembly (13)** to the **Glass door** through the predrilled holes.

See Fig. 17 for details

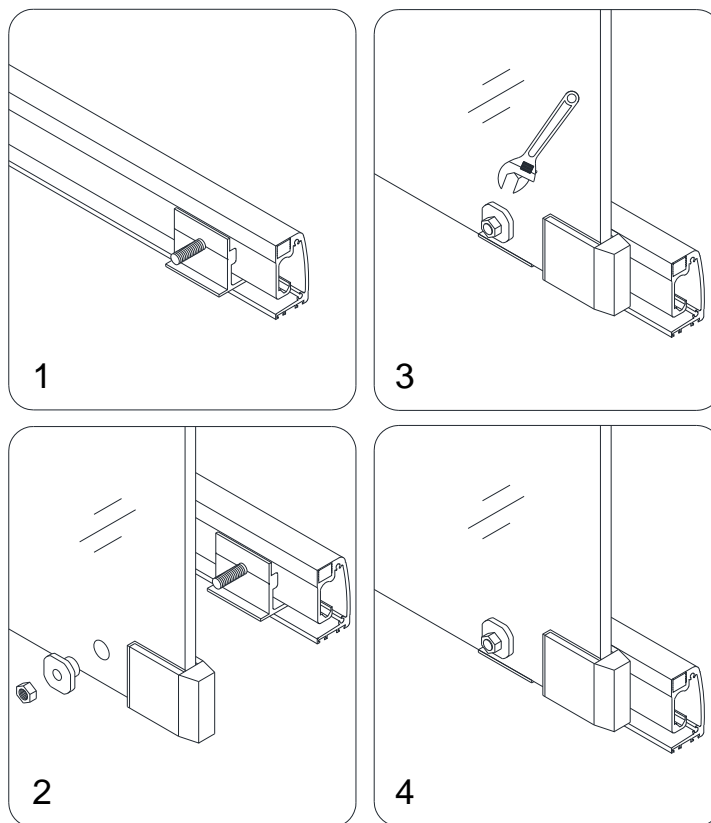


Fig. 17

15. Place the **Sliding Bracket (12)** over the top edge of the **Glass door** and put the **Sliding Bracket assembly** together.

**NOTE:** Sliding Bracket can be installed in left hand and right hand configurations.

See Fig. 18 and Fig. 19 for details.

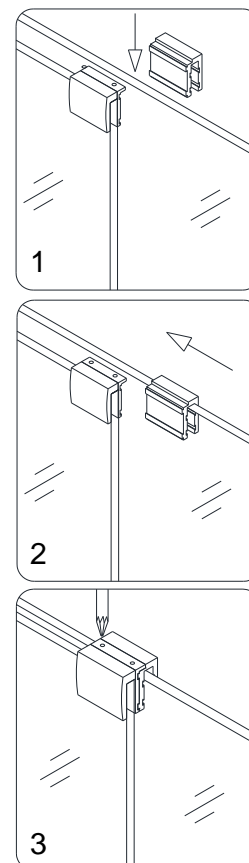


Fig. 18

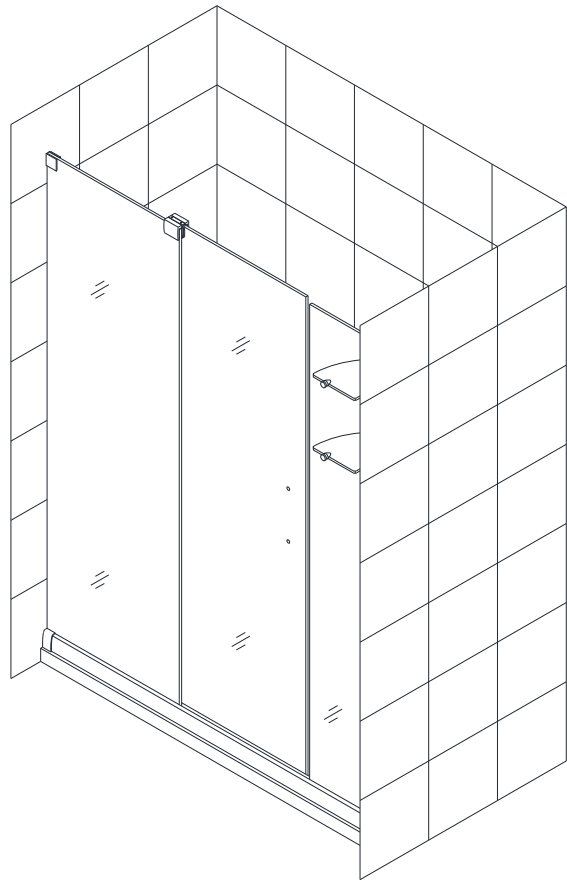


Fig. 19

16. Press the **Magnetic strip (19)** on the vertical edge of the **Glass door** and the **Stationary glass 2**.  
 Push the **Guide rail strip (20)** into the channel of the **Guide rail**.

See Fig. 20 for details.

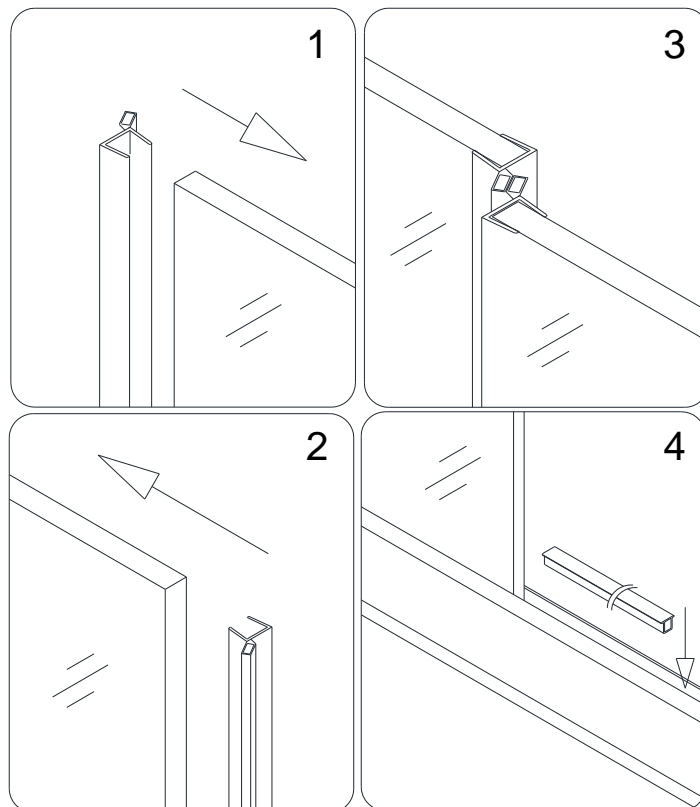


Fig. 20

17. Install the **Handle (06)** onto the **Glass door (02)**.

See fig. 21 for details.

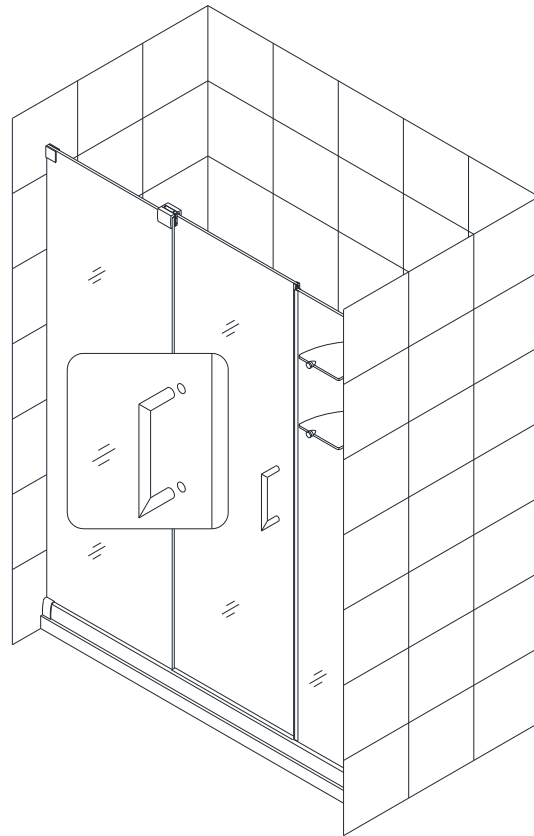


Fig. 21

18. Locate the **Support bar (07)** and temporarily fasten it to the **Sliding Bracket assembly (12)**. Adjust the bar to a proper position and level it horizontally. Hold it firmly and outline the bracket's position on the wall.

Remove the **Support bar** and detach the Wall bracket from it. Place the Wall bracket against its outlined position on the wall and mark the hole for drilling.

Drill the hole using  $\varnothing 5/16''$  drill bit, insert the **Wall Anchor (08)** and fasten the Wall bracket to the wall with the **Round head Screw ST4.2×35 (10)**.

Attach the **Support bar** to the Wall bracket as and tighten the set screws the glass holding screw to secure the glass.

See Fig. 22 for details.

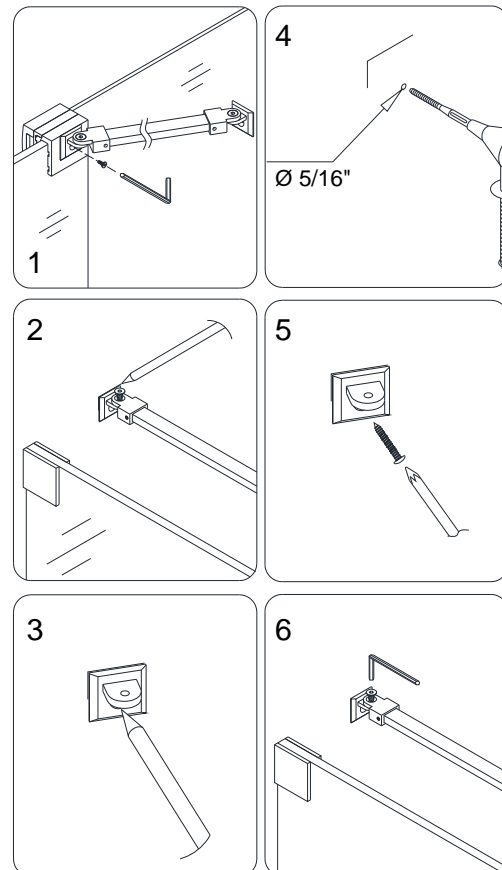


Fig. 22

19. Apply the sealant along the connection of the stationary glasses with wall, as well as between the guide rail and the threshold.

See Fig. 23 and Fig. 24 for details.

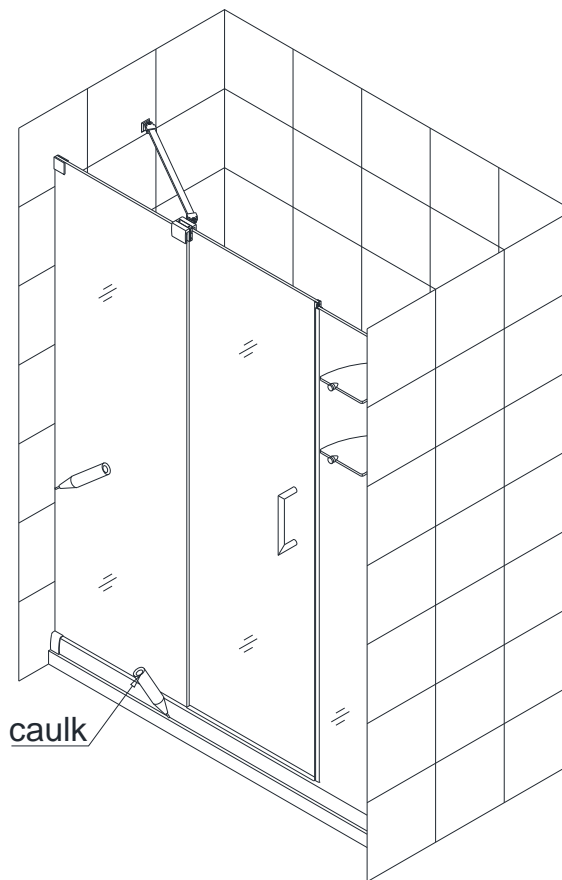


Fig. 23

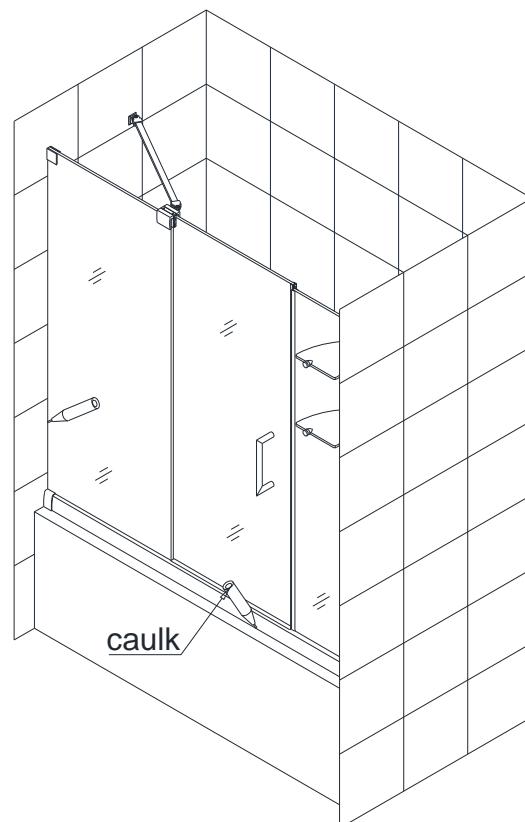


Fig. 24

**NOTICE:** The above installation steps are given for the right-hand configuration.

For the left-hand configuration door, please reverse the two **Stationary glasses**.

See Fig. 25 for details.

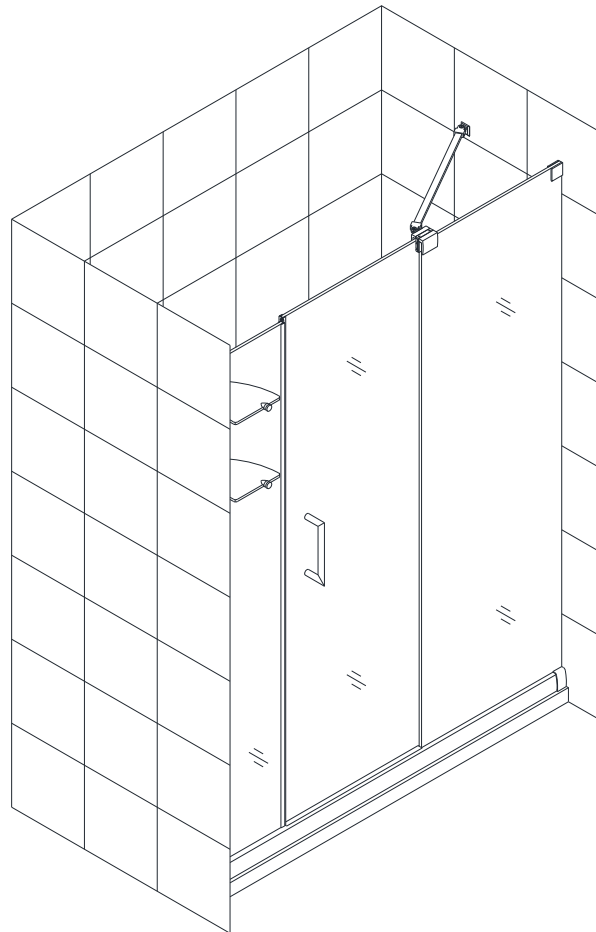


Fig. 25

## **Product Maintenance**

To insure long lasting life for your acrylic back walls, wipe them off after each use with a soft cloth. To clean the acrylic back walls use non-abrasive sprays or cream based cleaners. Never use abrasive cleansers, metal brushes or scrapers that could scratch or dull the surface.

To insure long lasting life for your glass shower products, wipe them off after each use with a soft cloth. Rinse and wipe of the glass using either soft cloth or squeegee to prevent soap buildup. Never use abrasive cleaners and cleaning products that contain scoring agent because this may scratch the surface. Never use bristle brushes or abrasive sponges.

To assure a long lasting finish wipe off the metal parts after each use with a soft cloth. Do not use abrasive cleaners or cleaning products containing ammonia, bleach or acid. If accidentally used, rinse the surface as soon as possible to prevent finish peeling or corrosion. After cleaning the shiny finishes, rinse thoroughly and wipe dry with soft cloth. Clean stainless steel surfaces at least once a week. When applying stainless steel cleaner or polish, work with (not across) the grain. Never use abrasive sponge or cloth, steel wool or wired brushes.



## DREAMLINE™ LIMITED WARRANTY

**This is Bath Authority LLC's ("DreamLine™") exclusive written warranty effective April 2, 2012**

This warranty extends only to the original owner/end-user for household use only and is not transferable to a subsequent owner. This warranty applies only to DreamLine™ products purchased from an authorized dealer and installed in United States or Canada. Proof of purchase (original sales receipt) must be provided with all warranty claims. **In no event shall the liability of DreamLine™ exceed the purchase price of the unit.**

If DreamLine™ shower & tub doors, shower enclosures and shower bases are used commercially, DreamLine™ warrants such products to be free from defects in material and workmanship for one (1) year from initial date of purchase from an authorized dealer, with all other terms of this warranty applying except duration. If DreamLine™ vanities, vessel sinks and shower columns are used commercially, DreamLine™ warrants such products to be free from defects in material and workmanship for three (3) months from initial date of purchase from an authorized dealer, with all other terms of this warranty applying except duration. **DreamLine™ Jetted and Steam Shower Cabins are not intended for commercial use and there is no warranty extended for these products for commercial use.**

DreamLine™ hereby disclaims all warranties for products sold as dealer or store displays. DreamLine™ hereby disclaims all warranties for products used outside of the United States or Canada whether expressed or implied, including but not limited to the implied warranties of merchantability and fitness for a particular purpose.

DreamLine™ will, at its election, repair, replace with product of equal value or make appropriate adjustment where DreamLine's analysis or inspection of warranty claim discloses any such defects occurring in normal usage within the warranty period. DreamLine warranty obligation shall be discharged upon tender of replacement or repair. Purchaser's refusal to accept the tender terminates warranty obligation.

Cost of freight for returning products to DreamLine™ for repairs or replacement under this limited warranty are the responsibility of the customer. Cost of freight associated with shipping of replacement product or parts to the customer may be charged to customer. Any product replaced or repaired during the warranty period will be covered only for the remaining period of the original warranty. In no event will DreamLine be liable for costs of repair or replacement of any installation material, including but not limited to tiles, marble, etc. **DreamLine™ is not responsible for installation, removal or reinstallation costs of any product requiring warranty services.**

Improper modification or alteration of any DreamLine™ products will void the warranty. DreamLine product installations and repairs must be performed by either a DreamLine authorized agent or a licensed experienced professional contractor - installation or repairs performed by any other party shall void the warranty. This warranty shall not apply to breakage or damages caused by normal wear and tear, fault, carelessness, abuse, misuse, misapplication, improper maintenance, alteration or modification of the unit, as well as chemical or natural corrosion, accident, fire, flood, act of God or any other casualty. Improper care and cleaning will void the warranty. Use of cleaners containing abrasive cleansers, ammonia, bleach, acids, waxes, alcohol, solvents or other products not recommended for chrome or similar finish, glass or acrylic will void the warranty. For additional product maintenance instructions please refer to product installation manual. DreamLine™ is not responsible for any issues arising in connection with errors or omissions in information provided on DreamLine's websites. The warranty does not extend to any non-DreamLine™ plumbing or components installed by installers, end users or by any party other than DreamLine™.

**THE FOREGOING WARRANTIES ARE IN LIEU OF ALL OTHER WARRANTIES, EXPRESSED OR IMPLIED, INCLUDING BUT NOT LIMITED TO THE IMPLIED WARRANTIES OF MERCHANTABILITY AND FITNESS FOR A PARTICULAR PURPOSE. BATH AUTHORITY LLC ("DREAMLINE™") AND/OR SELLER DISCLAIM ALL LIABILITY FOR SPECIAL, INCIDENTAL OR CONSEQUENTIAL DAMAGES. DREAMLINE™ IS NOT LIABLE FOR PERSONAL INJURIES OR DEATH TO ANY PERSON OR FOR ANY DIRECT, SPECIAL, INCIDENTAL OR CONSEQUENTIAL DAMAGE, LOSS OF USE, LOSS OF TIME, LOSS OF PROFITS, INCONVENIENCE, INCIDENTAL EXPENSES, LABOR OR MATERIAL CHARGES, OR ANY OTHER COSTS RESULTING FROM THE USE OF ITS PRODUCTS OR PERTAINING TO THE APPLICATION OF THE PRESENT WARRANTY, OR RESULTING FROM THE REMOVAL OR REPLACEMENT OF ANY PRODUCT OR ELEMENT OR PART COVERED BY THIS WARRANTY.**

DreamLine™ is not responsible for product code compliance or for verifying building code restrictions on installation or use and any such compliance is excluded from this warranty. DreamLine™ reserves the right to modify this warranty at any time - such warranty modification will not alter warranty applicable at the time of sale of the products in question. The warranty terms for specific products are:

### **SHOWER & TUB DOORS, SHOWER ENCLOSURES AND SHOWER BASES**

DreamLine™ warrants shower & tub doors, shower enclosures and shower bases to be free from defects in workmanship and materials under normal residential use for a period of five (5) years from the initial date of purchase by the owner/end-user, contractor or builder from an authorized dealer.

### **SHOWER CABINS (JETTED & STEAM)**

DreamLine™ warrants glass, acrylic and finish to be free from defects in workmanship for a period of five (5) years from initial date of purchase by the owner/end-user, contractor or builder from an authorized dealer; and plumbing, electrical and steam generator components for a period of one (1) year from the initial date of purchase by the owner/end-user, contractor or builder from an authorized dealer.

### **SHOWER COLUMNS**

DreamLine™ warrants shower columns to be free from defects in workmanship and materials under normal residential use for a period of one (1) year from the initial date of purchase by the owner/end-user, contractor or builder from an authorized dealer.

### **VANITIES AND VESSEL SINKS**

DreamLine™ warrants bathroom vanities and vessel sinks to be free from defects in workmanship and materials under normal residential use for a period of one (1) year from the initial date of purchase by the owner/end-user, contractor or builder from an authorized dealer.

Some states/provinces do not allow limitations on how long an implied warranty lasts, or the exclusion or limitation of special, incidental or consequential damages, so these limitations and exclusions may not apply to you. This warranty gives you specific legal rights. You may also have other rights, which vary from state/province to state/province.



---

TEL: 866-731-8378 – 215-957-1411

FAX: 866-227-9245 – 215-893-1780

[www.BATHAUTHORITY.COM](http://www.BATHAUTHORITY.COM)

For more information on [DreamLine™ Shower Doors](http://www.BathAuthority.com) please visit [www.BathAuthority.com](http://www.BathAuthority.com)