

# UNIDOOR TOULON

## Installation Manual



**DO NOT RETURN PRODUCT TO STORE. CONTACT DREAMLINE<sup>®</sup> WITH ANY QUESTIONS**

### QUESTIONS?

Please Contact DreamLine Customer Support:

**CALL** 1-866-731-2244

**EMAIL** support@dreamline.com

SEE **DREAMLINE.COM** FOR HOURS OF OPERATION

**CLICK HERE**  
To View Our  
Installation Video

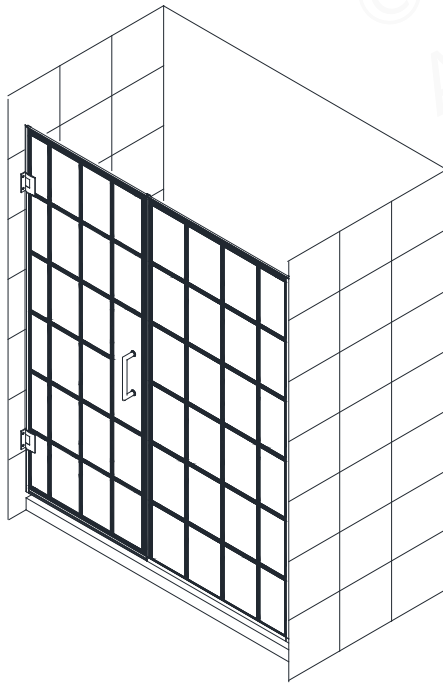


# UNIDOOR TOULON

## SHOWER AND TUB DOOR INSTALLATION INSTRUCTIONS

### IMPORTANT

DreamLine<sup>®</sup> reserves the right to alter, modify or redesign products at any time without prior notice for the purpose of product improvement and customer experience. Please refer to the model's web page on **DreamLine.com** for the latest technical drawings, installation manuals, warranty information or additional product details.



**58" x 72" Shower Model**

**Model #s:**

**SHDR-2434720-##**

**SHDR-2440720-##**

**SHDR-2446720-##**

**SHDR-2452720-##**

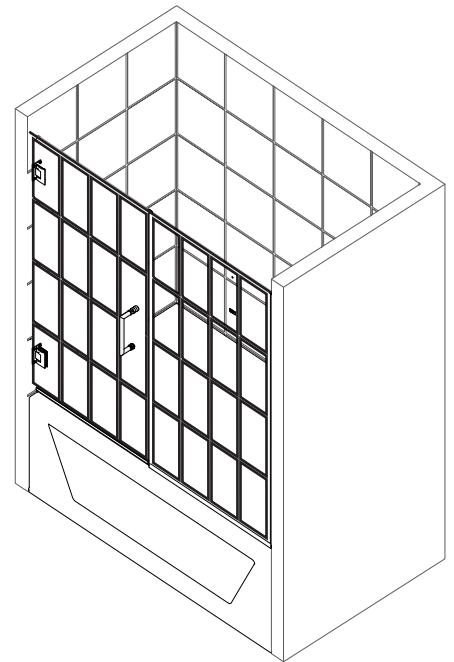
**SHDR-2458720-##**

**## = finish**

**89 = French Black**

[View Our  
Installation Video:](#)

**[CLICK HERE](#)**



**58" x 72" Tub Model**

**Model #:**

**SHDR-2458580-##**

**## = finish**

**89 = French Black**

Left hand door installation shown



### Questions?

Please contact DreamLine Customer Support  
See [DreamLine.com](http://DreamLine.com) for hours of operation

[Support@DreamLine.com](mailto:Support@DreamLine.com)

1-866-731-2244



For more information about DreamLine<sup>®</sup> Shower Doors, Tub Doors & Enclosures, please visit [DreamLine.com](http://DreamLine.com)



**Do not remove ClearMax stickers until glass is installed.**



**This model is treated with DreamLine's exclusive ClearMax™ Glass technology. This is a specially formulated coating that prevents the buildup of soap and water spots.**

**Install the surface with the ClearMax™ label towards the inside of the shower. Please note that depending on the model, the glass may be coated on either one or both surfaces.**

**For best results, squeegee the glass after each use and dry with a soft cloth.**

Record the following purchase information for your records or in the event you need to contact DreamLine®:

Purchase Order Number \_\_\_\_\_

Store/Vendor Purchased From \_\_\_\_\_

Installation Date \_\_\_\_\_

OD Number (optional) \_\_\_\_\_  
\*found on the shipping box or label if available.

Installed By: \_\_\_\_\_

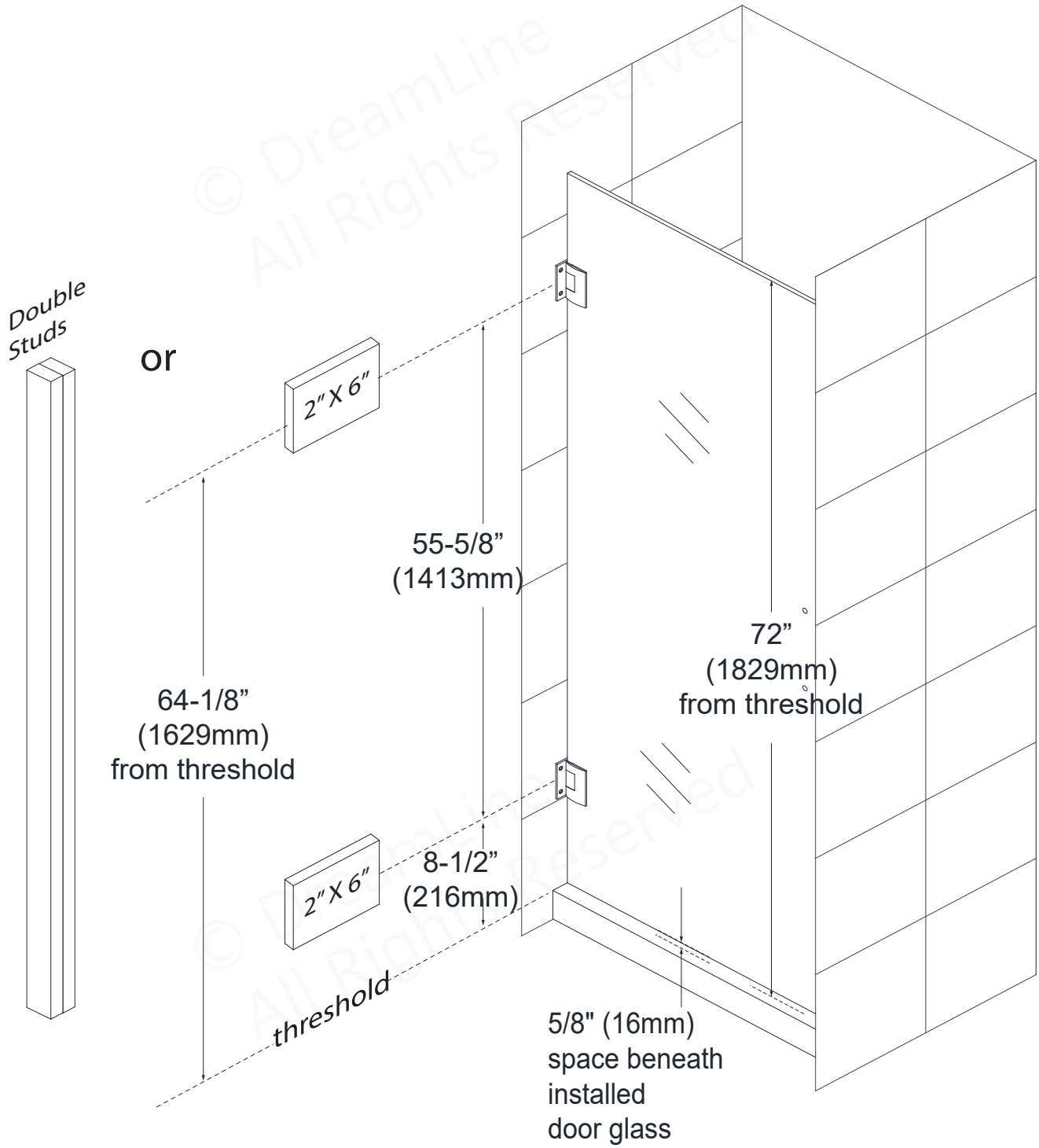
SKU Number \_\_\_\_\_

## Table of Contents

<b>Section Title</b>	<b>Page #</b>
Locations for Required Wall Reinforcement	2
Available Model Sizes	3
Unidoor Glass-to-Wall Hinge and Handle Location	4
Unidoor Glass-to-Wall Hinge - Hole Array	5
Preparation	6
Tools	7
Detailed Diagram of Shower Door Components	8
Parts List	9
Installation Steps	10-23
Vinyl Seals	22-23
Hinge Adjustment	24
Product Maintenance	25
Troubleshooting	26
Factory Parts Information	27-29

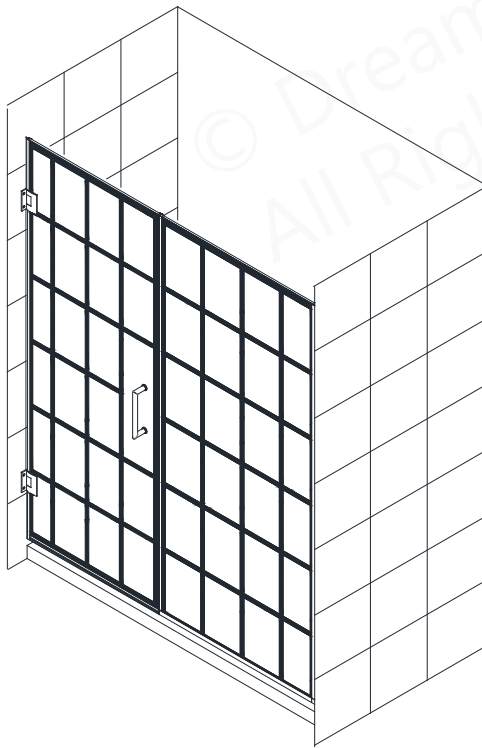
# Locations for Required Wall Reinforcement

Install double studs OR install 2" x 6" wood blocking between the studs where the hinges will attach to the wall

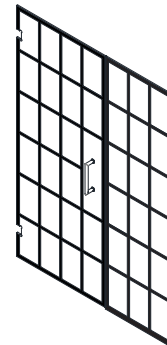


# Available Model Sizes

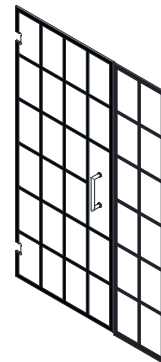
The sizes of the glass pattern will vary based on the model size purchased.



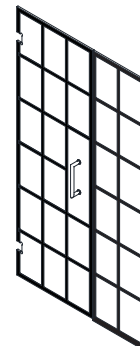
58"



52"



46"



40"



34"

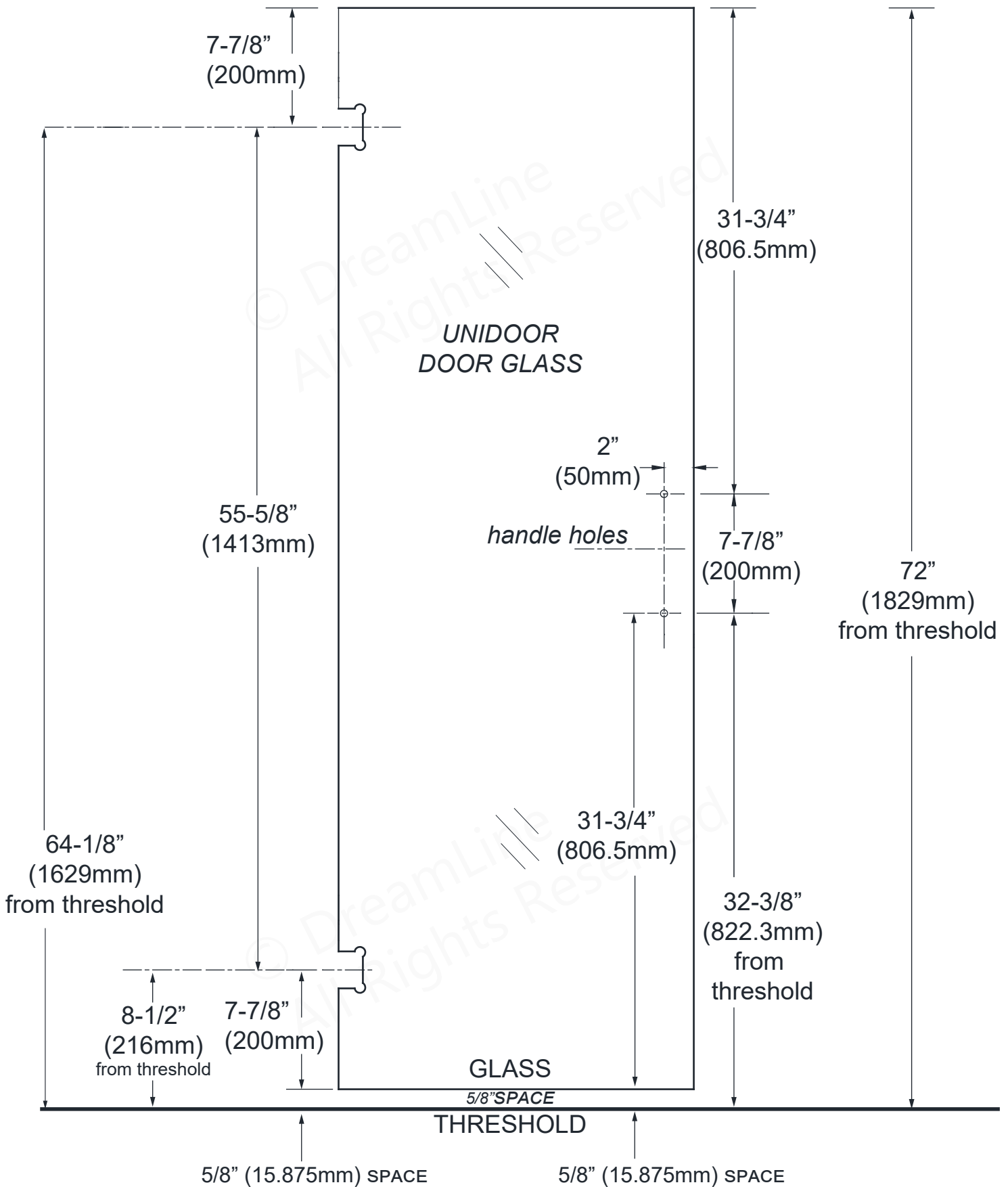
The illustrations in this manual will show the installation of the 58" x 72" Unioor Toulon model as an example.



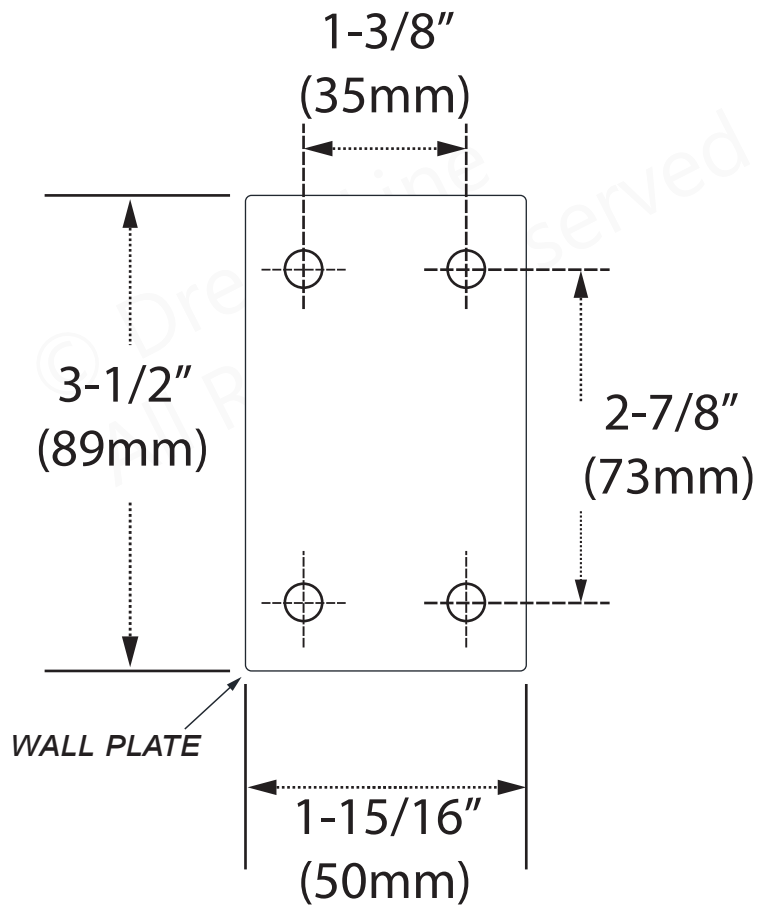
The textured surface with the Toulon Patern must be installed toward the outside of the shower.

**NOTE:** This model is reversible for left or right hand installation. This manual will show the left-hand door installation. For a right hand door installation, simply begin on the opposite wall and reverse the orientation of the parts as necessary.

# Unidoor Glass-to-Wall Hinge and Handle Location



# Unidoor Glass-to-Wall Hinge - Hole Array





# Preparation

1. Prior to installation, examine all boxes and packages for shipping damage and compare the piece count with the packing slip. After opening all boxes and packages read this introduction carefully. Check that all of the necessary parts are included in the package by checking off the components on the "Detailed Diagram of Shower Door Components". If the unit has been damaged, has a finishing defect, or has missing parts, please contact our customer support department within **3 business days** of the delivery date. **Please note that DreamLine® will not replace any damaged products or missing parts free of charge after 3 business days or if the product has been installed.** Feel free to contact DreamLine® if you have any questions, and please provide an order number, job name or other proof of purchase to help identify the original order.

2. **Please note that you should consult your local building codes with questions on installation compliance standards. Building and plumbing codes may vary by location, and DreamLine® is not responsible for code compliance standards for your project and will not accept any returns.**

3. If this unit is going to be installed in a new construction, please install all of the required plumbing and drainage before installing the shower. Use a competent and licensed (if required by local code) plumber for all plumbing installation

4. Please make sure that prior to beginning the installation, the surfaces are leveled and solid and will be able to support the total weight of the unit. Also make sure the walls are at right angles. Irregular installation surface level, radius corners or improper angle of side walls will result in serious problems for your installation. Note that some adjustments and drilling will be necessary during the installation process.

5. **Please protect all primary surfaces of the product during installation.** Never set the glass down directly onto a tile floor. Leave corner protectors in place until necessary to remove them. Always use a piece of wood or cardboard to protect the bottom edge and corners of the glass prior to and during installation.

6. This unit must be installed upon a finished threshold and against finished walls.

7. **This door is extremely heavy and the hinges on this door must be attached into studs or to preinstalled 2" × 6" wood reinforcement behind the wall. See step #5 for details. Installation into metal studs is not recommended.**

8. **Installation of this model requires that you drill down into the threshold or shower base. Contact the manufacturer of the base or threshold material with any questions regarding the drilling of holes into their product.**

9. This model requires a minimum **5/8"** of flat level threshold space for installation.

10. **This model has 1/2" of adjustment within the U-Channel on the stationary panel side for out-of-plumb wall conditions and overall width within the model size. Confirm the finished opening conditions before proceeding with the installation.**

11. **Professional installation recommended.**

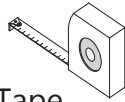


**NOTE: DO NOT** attach the handle to the door glass until instructed. **DO NOT** use the handle to lift the glass during installation. This may result in damage to the glass and/or serious injury. Always use an assistant or a professional grade glass suction cup when handling heavy glass.

## Tools



Level



Tape Measure



Pencil



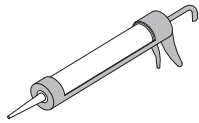
Phillips Screwdriver



Drill bit  
Ø5/16"  
(8mm)



Drill bit  
Ø=1/8"  
(3mm)



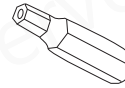
Silicone



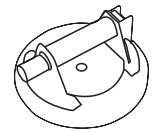
Screw Gun  
or Impact Driver  
w/ #2 Phillips bit



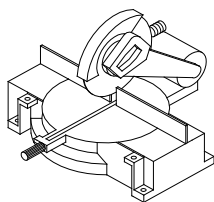
Power  
Drill



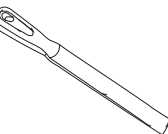
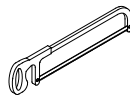
4mm Hex  
Head Driver



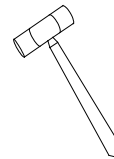
Professional grade  
Glass suction cup



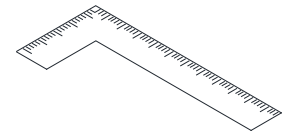
Miter saw or Hacksaw



Metal File



Hammer



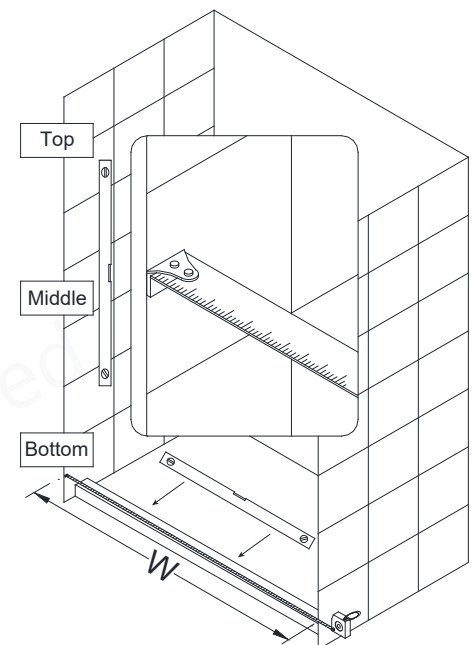
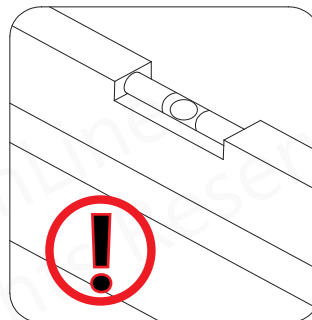
Carpenter's Square

**Tip:** Measure the finished opening before proceeding with the installation to be sure that the correct model size has been ordered.

**Tip:** Prior to installation, cover the shower/tub drain with tape to prevent losing screws or small parts.

**Tip:** Set screw gun clutch to low setting when installing screws and bolts to prevent stripping the heads.

Threshold must be level.

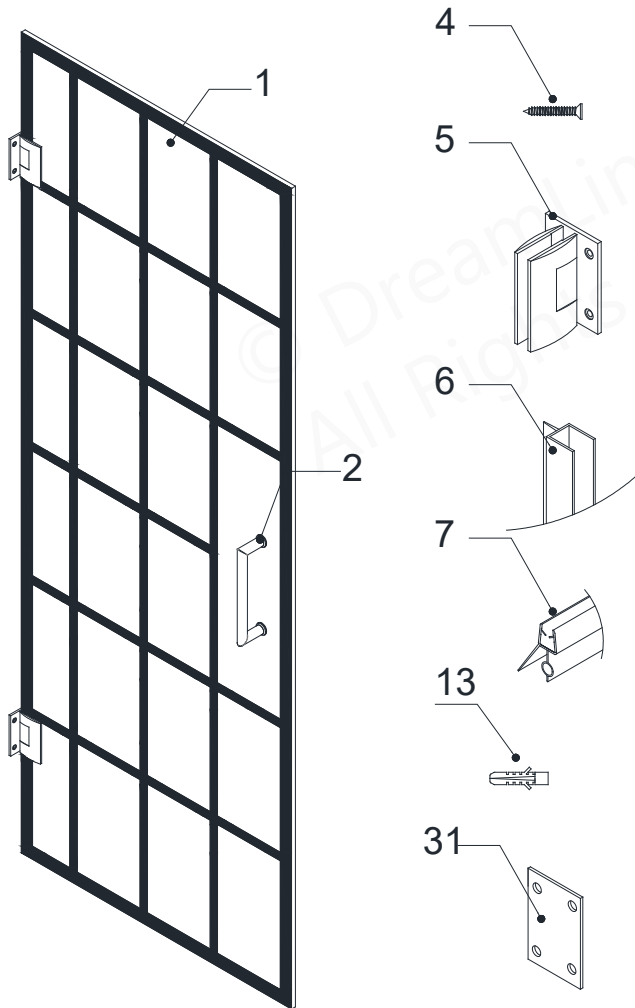


**NOTE:** Unpack your unit carefully and inspect it. Lay it out and identify all parts using the detailed diagram and packing list in this manual as a reference. Before discarding the carton, check for small hardware bags that may have fallen to the bottom of the box. If any parts are damaged or missing, please contact DreamLine® for replacement. The shipping boxes may contain extra parts not used in your model configuration.

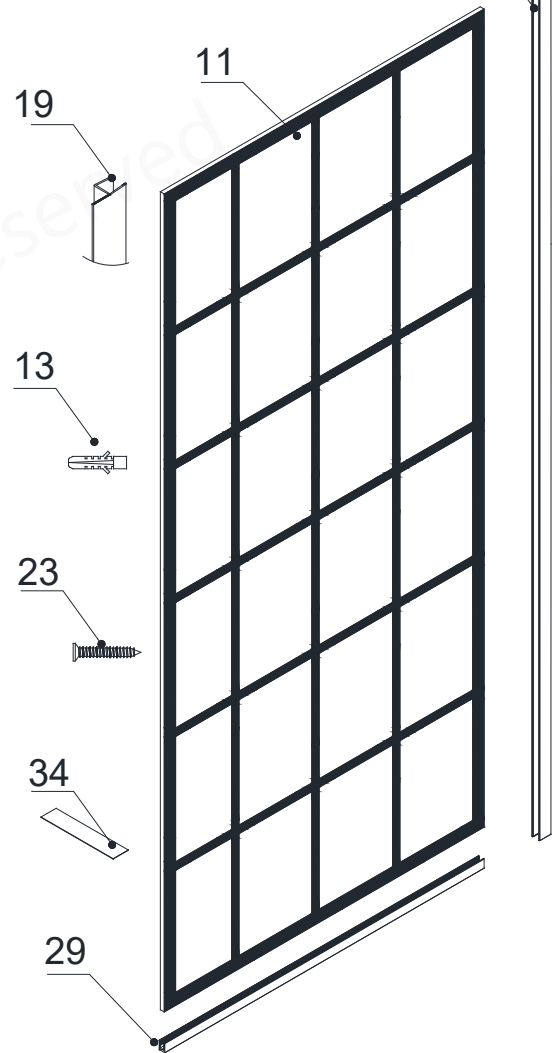
**NOTE:** Retain these installation instructions for future reference.

# Detailed Diagram of shower door components

## DOOR- Part list A



## PANEL - Part list B



Do not remove ClearMax stickers from the glass until installation is complete.

## Part List-A

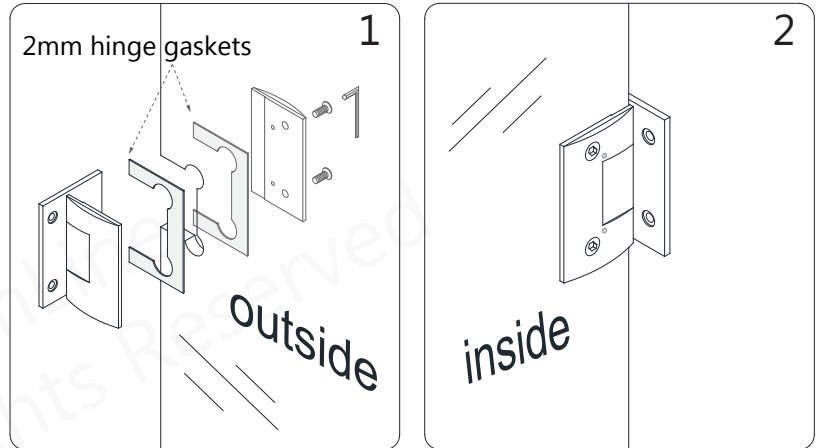
Part#	DESCRIPTION	Qty	Part#	DESCRIPTION	Qty
01	Door Glass	1pc	06	Hinge Side Vinyl Seal	1pc
02	Handle	1pc	07	Sweep Vinyl Seal	1pc
04	ST5×70 Countersunk Screw	8pcs	13	Ø5/16" Wall Anchor	8pcs
05	Hinge with Adjustable Angle	2pcs	31	PVC-Hinge Spacer (1mm, 2mm, 3mm)	4pcs

## Part List-B

Part#	DESCRIPTION	Qty	Part#	DESCRIPTION	Qty
09	U-Channel 1 (73" wall profile)	1pc	23	ST4.2×40 Countersunk Screw	8pcs
11	Stationary Panel Glass	1pc	29	U-Channel 2 (32" bottom profile)	1pc
13	Ø5/16" Wall Anchor	8pcs	34	PVC-Glass Spacer (0.5mm)	1pc
19	Strike Vinyl Seal (inline panel)	1pc			

# Installation Steps

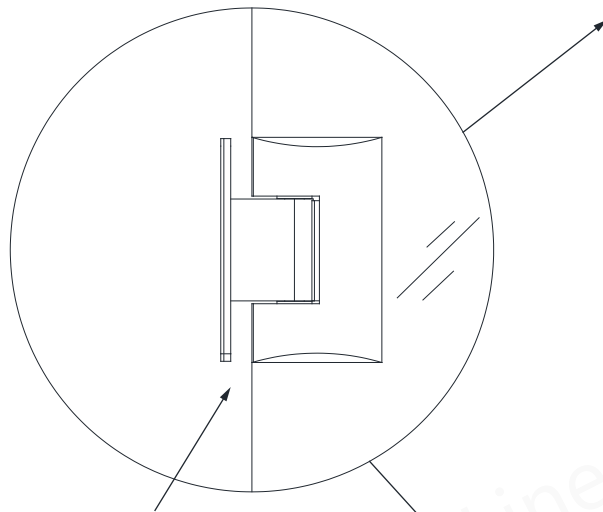
**1.** Attach the **Hinges (#05)** onto the **Door Glass (#01)**, using one (2mm) vinyl hinge gasket per side. Center the hinge in the notch and flush with the edge of the glass. (**Fig 1a and Fig 1b**)



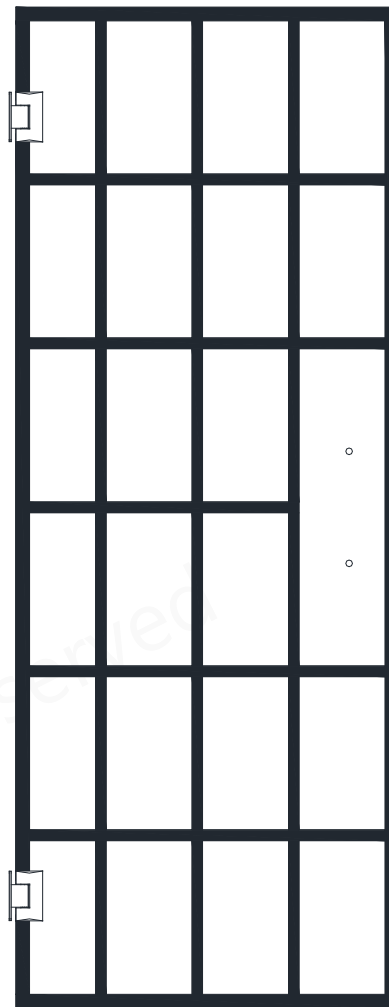
**Fig 1a**



**TIP:** Clean the hinge gaskets and the glass around the hinge notch with an ammonia free glass cleaner prior to attaching the hinges to the glass.



Install the hinges flush with the edge of the Door Glass



**Fig 1b**



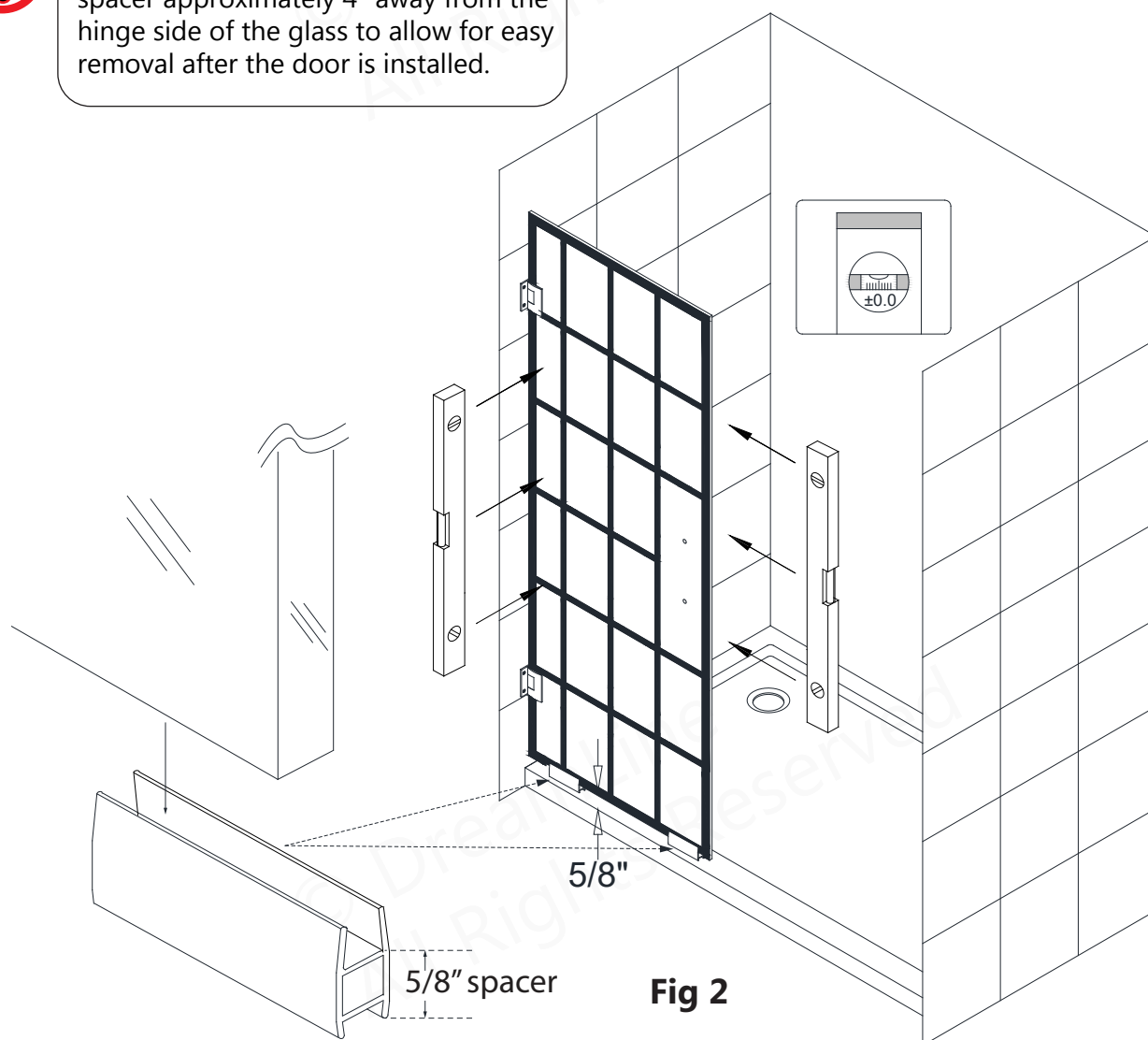
**NOTE: DO NOT** attach the handle to the door glass at this time. **DO NOT** use the handle to lift the glass during installation. This may result in damage to the glass and/or serious injury. Always use an assistant or a professional grade glass suction cup when handling heavy glass.

2. Set the **Door Glass (#01)** (with two **5/8" spacers** attached to the bottom) onto the threshold at the desired location and check for level. The provided **5/8" spacers** will leave the proper spacing at the bottom of the **Door Glass (#01)**. Carefully position the **Door Glass (#01)** with the hinge side against the wall, adjust its position and check for plumb with a level before marking the hinge positions. **(Fig 2)**

**NOTE:** Use a tape measure to confirm that the installed height of the **Door Glass (#01)** will match the height of the **Stationary Panel Glass (#11)** before marking the hinge locations.



**TIP:** Position the hinge-side bottom spacer approximately 4" away from the hinge side of the glass to allow for easy removal after the door is installed.

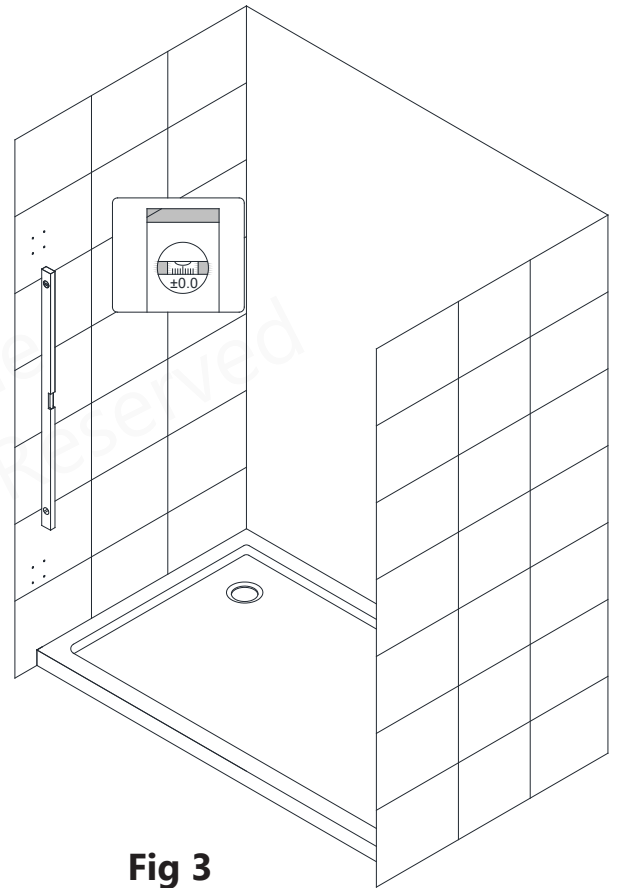
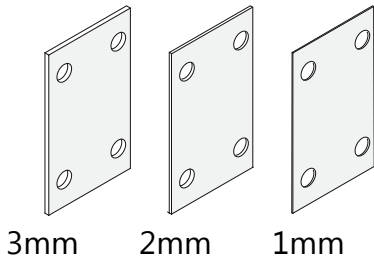


**Never set the glass down directly onto a tile or concrete floor. Always use a piece of wood or cardboard and leave the corner pads and protective shims on the glass until it becomes necessary to remove them. This will protect the bottom edge and corners from damage which could lead to breakage.**

**3.** If the hinge-side wall is out-of-plumb, use the **PVC Hinge Spacers (#31)** to plumb the door. **Do not exceed 1/4" of adjustment. (Fig 3)**

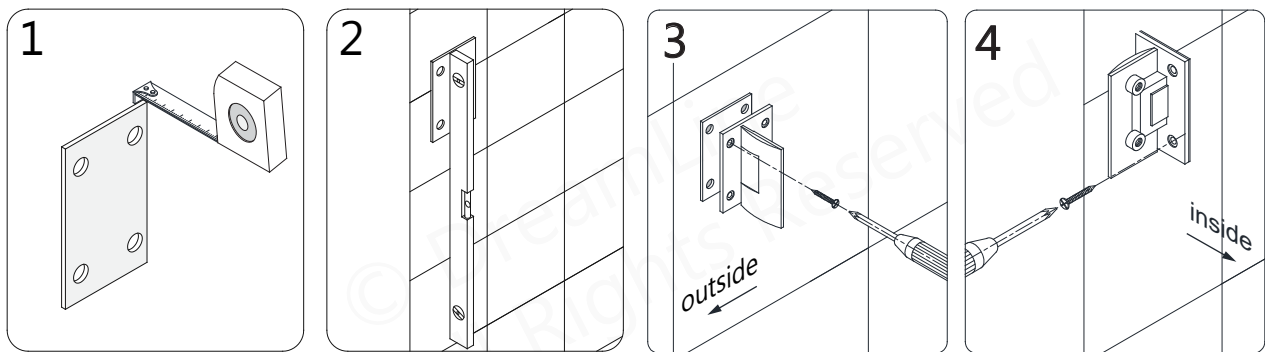


**IMPORTANT:** The included **PVC Hinge Spacers (#31)** are provided to compensate for minor out-of-plumb wall conditions. **Use only as needed** as their use could compromise the opening size of your shower and prevent proper installation.



**Fig 3**

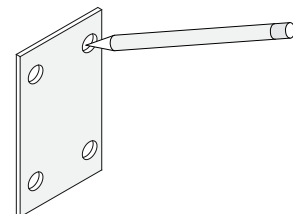
**4.** Check the hinge-side wall with a level to determine if the wall is out-of-plumb. Use the correct **PVC Glass Spacer(s) (#34)** to correct for the condition if it exists. Then use the same spacers during the final installation of the hinges to the wall. **(Fig 4)**



**Use the PVC Hinge Spacer only if necessary to correct for up to 1/4" out-of-plumb on the hinge-side wall.**

**Fig 4**

**TIP:** The PVC hinge spacer can also be used as a template to assist with marking the hinge mounting holes.

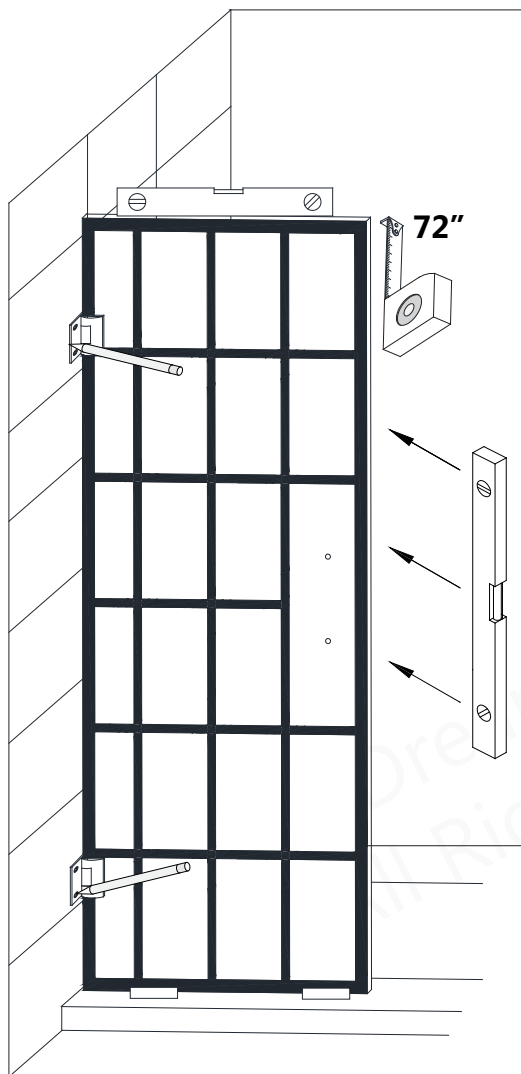




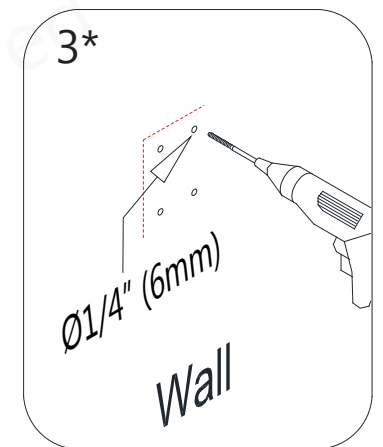
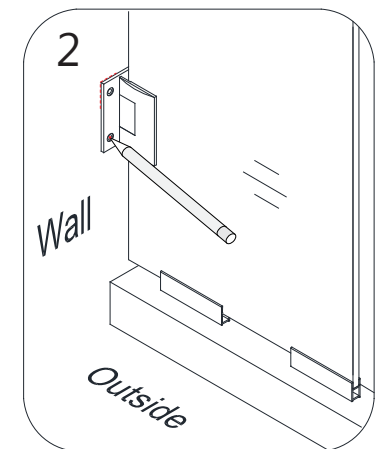
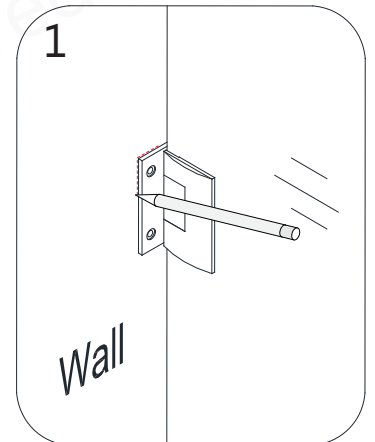
**\*ATTENTION:**

**This door is extremely heavy. The hinges must be installed into studs or to preinstalled 2" × 6" wood reinforcement behind the wall. Installation into metal studs is not recommended.**

**5.** Once the **Door Glass (#01)** is level and plumb, mark the location of the hinge plates and holes on the wall. Remove the **Door Glass (#01)** and drill  $\text{Ø}1/4"$  holes up to the stud and  $\text{Ø}1/8"$  pilot holes into the stud and let the screw bore into the wood. **DO NOT use Wall Anchors when installing into wood reinforcement.** (Fig 5a and Fig 5b)



**Fig 5a**



**Fig 5b**



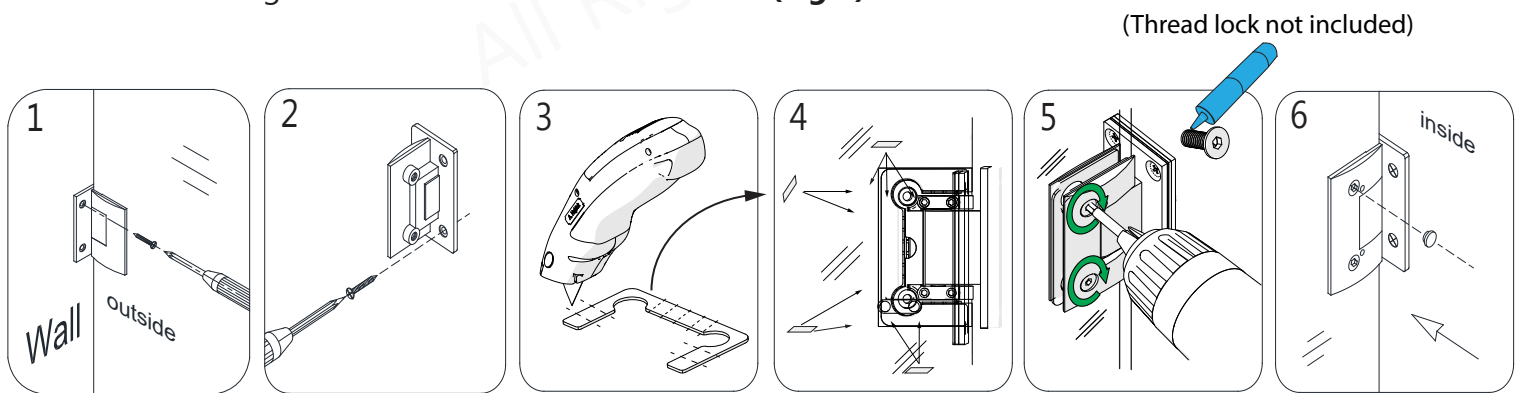
**6.** Install the hinges to the wall using the **ST5x70 Screws (#04)**. Cover the faceplates with tape and use an extension bit holder to prevent scratching the hinge during installation. If necessary, remove the inside hinge cover plate to install the mounting screws that are inside the shower. **(Fig 6.2)**

**INSTALL THE DOOR:**

**Option #1** - Leave the hinges on the **Door Glass (#01)**. Install the outside hinge plate screws first, then open the door slightly and install the inside hinge screws.

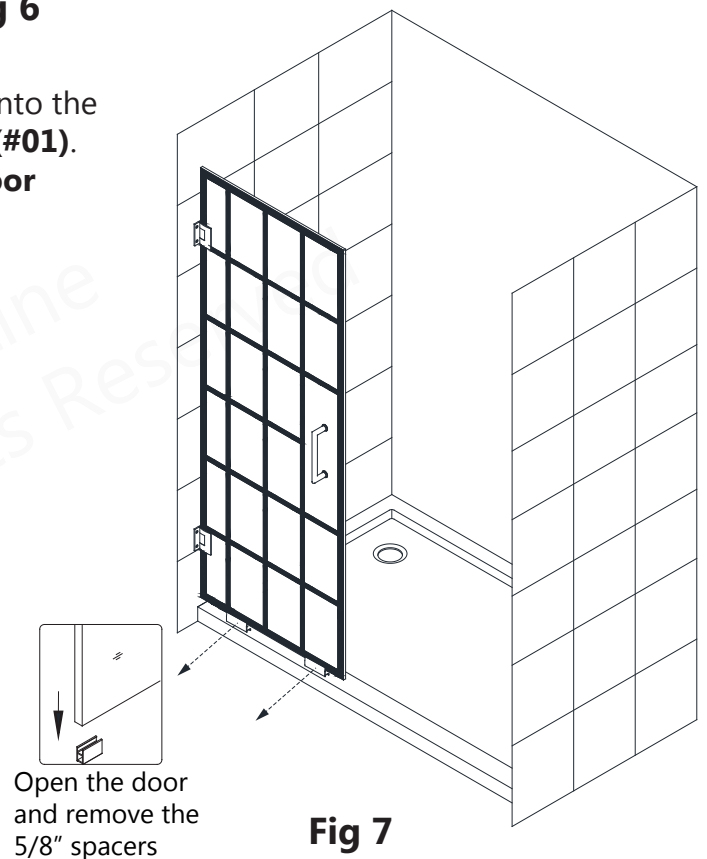
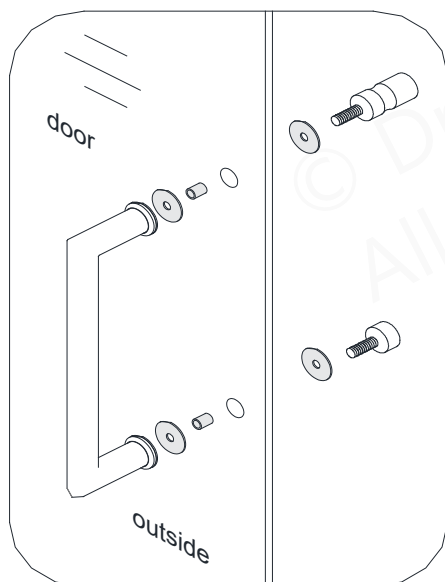
**Option #2** - Remove the hinges from the **Door Glass (#01)**. Install the hinges onto the wall. Attach the **Door Glass (#01)** to the installed hinges.

Use one thicker **2mm** vinyl gasket per hinge side. Cut **3/8"** squares from the extra 1mm gaskets and insert them in any gaps between the hinge body and the glass. Apply a medium-strength thread lock (not included) to the hinge bolts if desired. Tighten the hinge bolts using a screw gun and a 4mm hex bit and cover the hinge bolts with the decorative covers. **(Fig 6)**



**Fig 6**

**7.** After the **Door Glass (#01)** is securely installed onto the hinges, attach the **Handle (#02)** to the **Door Glass (#01)**. Remove the **5/8"** spacers from the bottom of the **Door Glass (#01)**. **(Fig 7)**

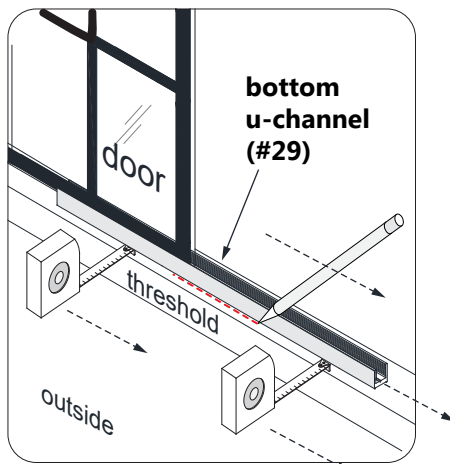
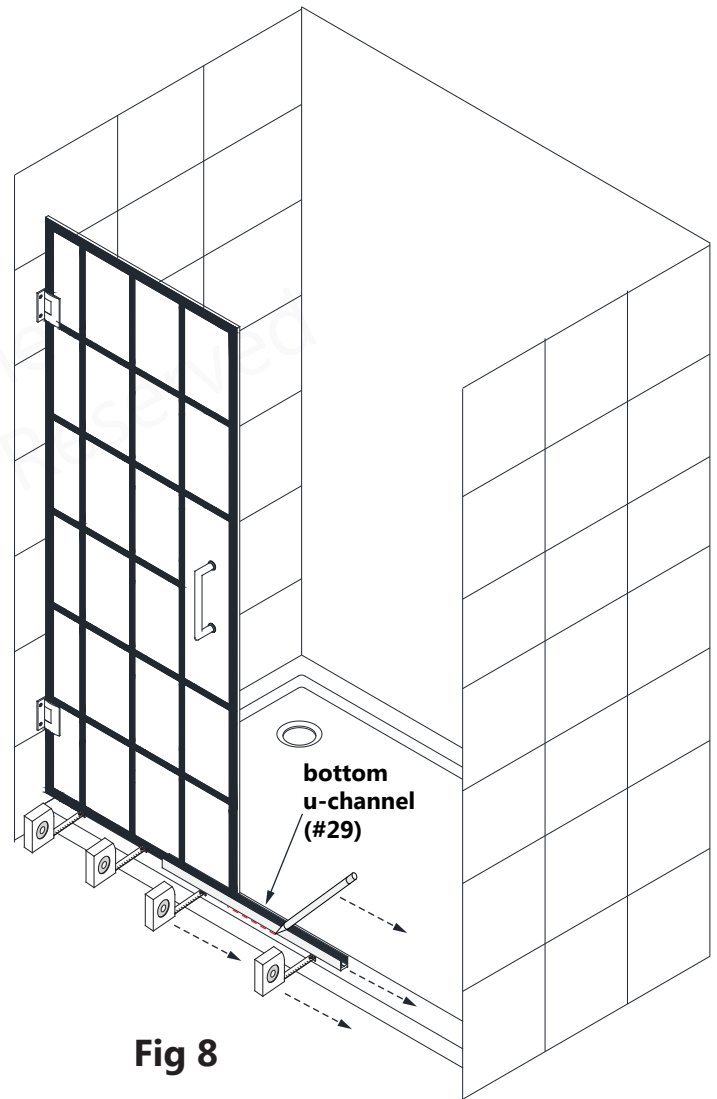


**Fig 7**

**8.** Close the door. Temporarily use the **Bottom U-Channel 1 (#29)** to mark a reference line for the alignment of the inline panel glass. Slide the **U-Channel 1 (#29)** onto the bottom of the installed door glass.

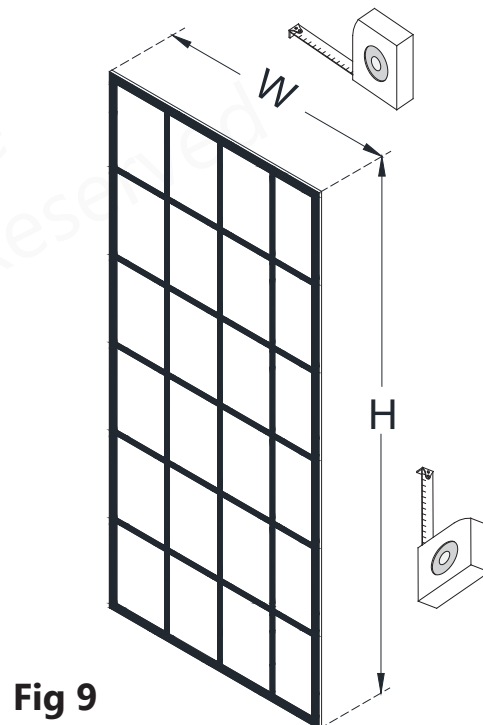
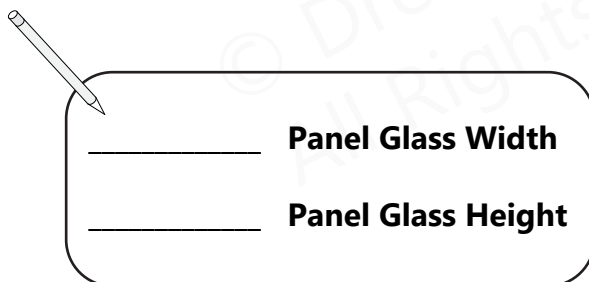
Hold the door in a closed position, parallel to the outside edge of the threshold. Mark the threshold in several places along the U-Channel, checking with a tape measure to stay in-line.

Slide the U-Channel over toward the panel-side wall to mark the rest of the threshold. Use this line as a reference to install the **Bottom U-Channel for the Stationary Panel Glass (#11)**, Remove the Bottom U-Channel from the door glass and proceed to the next step. **(Fig 8)**



Use the bottom U-channel to mark a reference line relative to the door glass

**9.** Measure the actual width and the height of the **Stationary Panel Glass (#11)**. **(Fig 9)**



**10.** Cut the vertical **U-Channel 1 (#09)** to size:

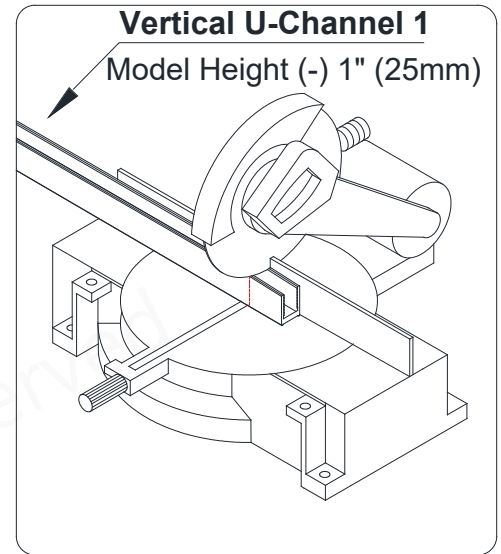
**Glass Height (-) 13/16" OR Model Height (-) 1"**

**Example:**

If the Glass Height = 71-13/16",  
cut the Vertical U-Channel to 71"

If the model height = 72",  
cut the Vertical U-Channel to 71"

(Fig 10)



**Fig 10**

**11.** Cut the Bottom **U-Channel 2 (#29)** to size.

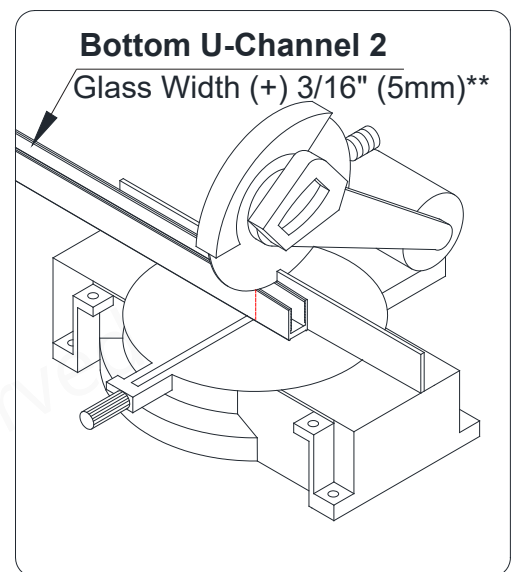
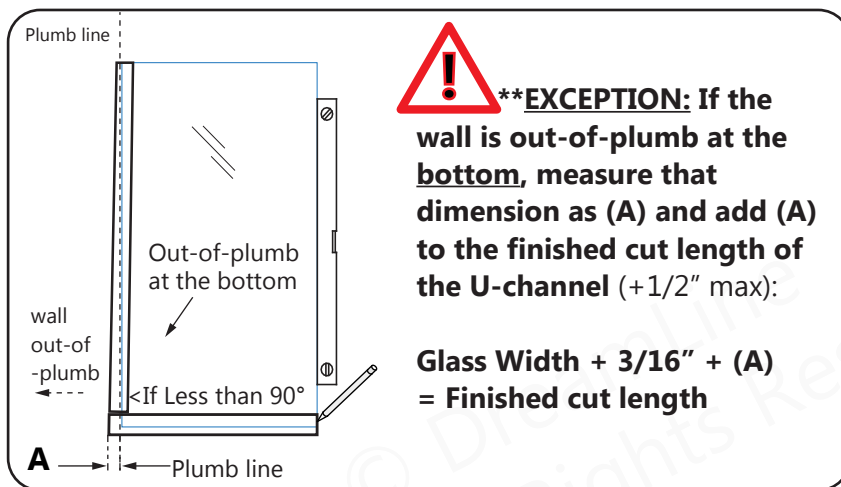
Cut the bottom **U-Channel 2 (#29)** to:

**Glass Width (+) 3/16" (\*\*see exception below)**

**Example:**

If the actual Glass Width = 29-13/16", cut the Bottom U-Channel to: 30"

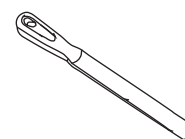
(Fig 11)



**Fig 11**



**TIP:** Use a metal file to remove any burrs from the cut ends of the U-Channels before placing them onto the glass.

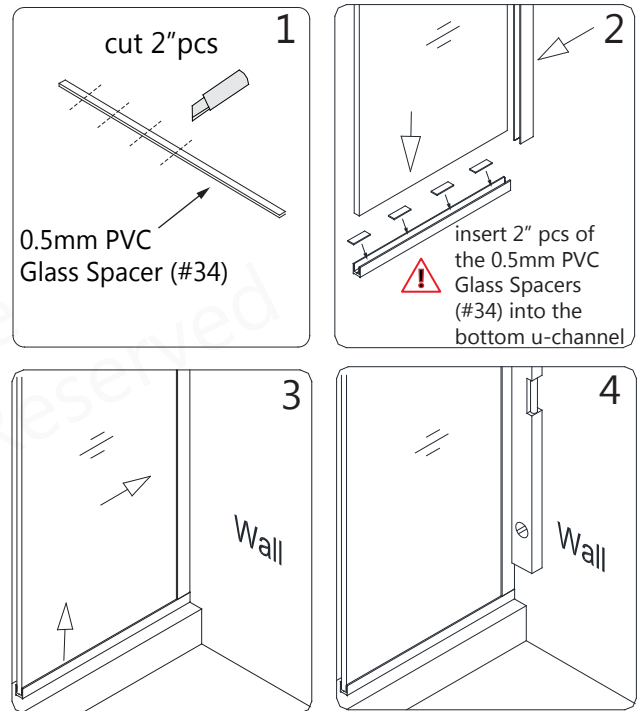


**Metal File**

The **Stationary Panel Glass (#11)** needs to be aligned with the installed **Door Glass (#01)** and the positions of the U-Channels marked for drilling and installation.

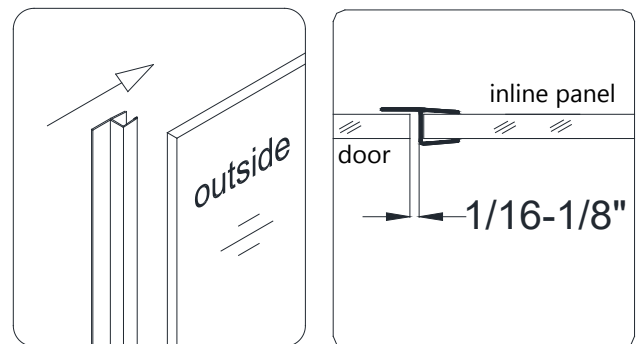
**12.** Dry fit the **Stationary Panel Glass (#11)** and **U-Channels** onto the threshold. Use the mark on the threshold from Step #8 for reference. The install positions of the **U-Channels** need to be marked on the threshold and wall **after** the panel glass is aligned with the Door Glass.

- Open the door and place the Bottom **U-Channel 2 (#29)** onto the threshold.
- Add several **2" pieces** of the **0.5mm PVC Glass Spacers (#34)** into the Bottom **U-Channel 2 (#29)** to protect the bottom corners of the glass. (Fig 12.1)
- Attach the Vertical **U-Channel 1 (#09)** onto the **Stationary Panel Glass (#11)**.
- Place the glass into the Bottom **U-Channel 2 (#29)** and slide the assembly tight to the wall. (**Fig 12**)



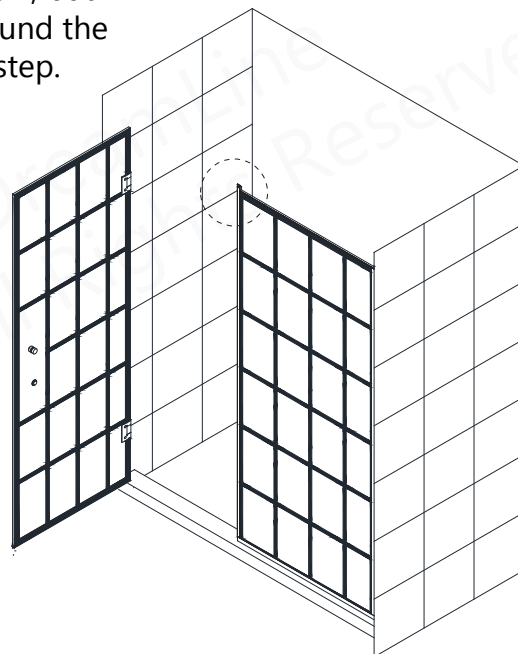
**Fig 12**

**13.** Attach the **Strike Vinyl Seal (#19)** to the edge of the **Stationary Panel Glass (#11)** to protect the edge of the glass and to simulate the proper spacing with the **Door Glass (#01)**. (**Fig 13**)



**Fig 13**

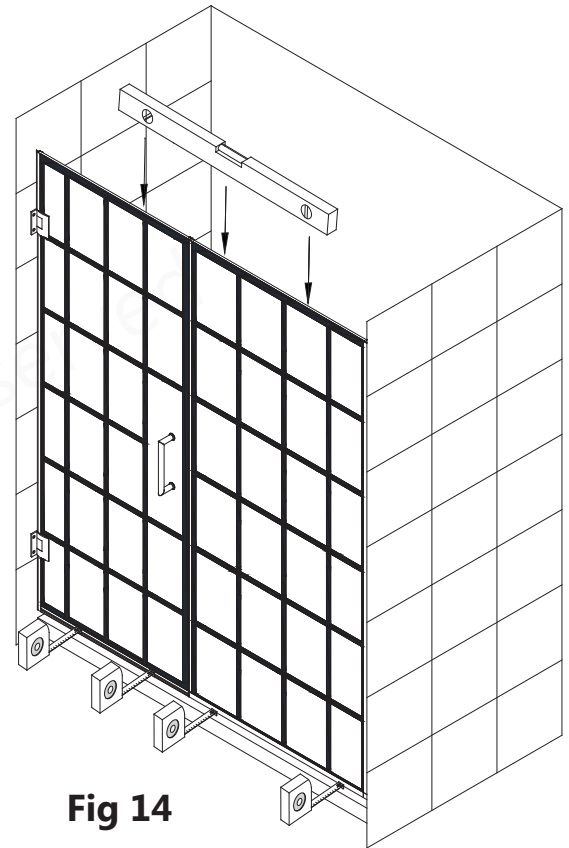
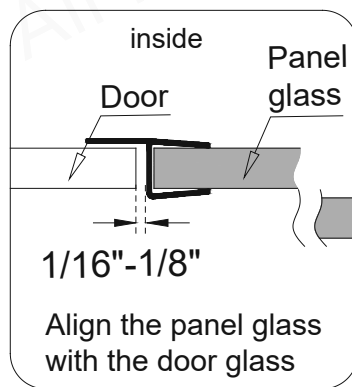
**! NOTE:** The **Strike Vinyl Seal (#19)** will extend above the glass for now, but will need to be notched to fit around the bottom U-Channel in a later step.



**14.** Close the door and align the **Stationary Panel Glass (#11)** with the **Door Glass (#01)** for a tight seal against the **Strike Vinyl Seal (#19)**. Hold the door parallel to the outside edge of the threshold. Use a tape measure in two or more locations to confirm that the bottom **U-Channel 2 (#29)** is also parallel to the outside edge of the threshold. **(Fig 14)**

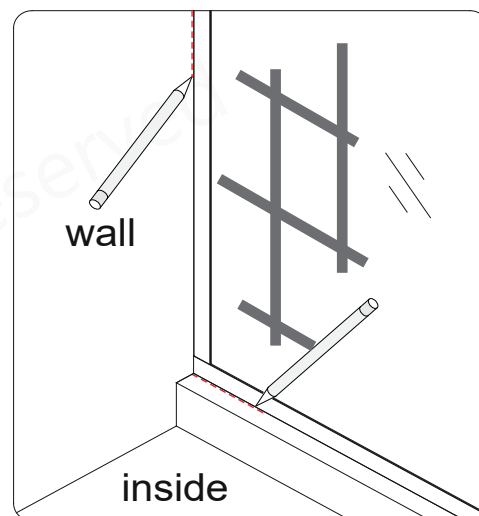


**NOTE:** It is very important that the door glass makes a good seal with the strike vinyl on the stationary panel glass from top to bottom to prevent leakage.



**Fig 14**

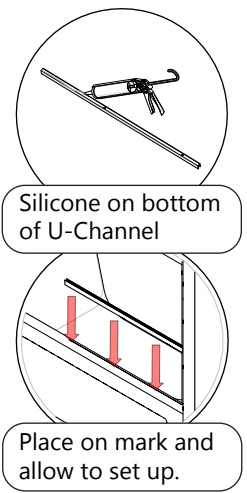
**15.** Once the **Stationary Panel Glass (#11)** is aligned with the **Door Glass (#01)**, mark the positions of the **U-Channels** on the threshold and wall. **(Fig 15)**



**Fig 15**

## Tub Installation Only

**16a. Note: For the Tub Door model only:** The **Bottom U-Channel (#29)** is installed to the tub deck using **clear silicone only**. Open the **Door Glass (#01)** and remove the **Stationary Panel Glass (#11)**. Apply a 1/4" bead of clear silicone to the bottom **U-Channel 2 (#29)** and place it on the mark made earlier on the tub deck. Tape it in place and allow the silicone to set up before continuing (quick-setting silicone recommended). Then place the Wall Profile **U-Channel 1 (#09)** onto the reference mark on the wall, mark the hole locations for drilling through the pre-drilled holes in the **U-Channel** and install it using the instructions in Steps 17 and 18. (Fig 16a)



Silicone on bottom of U-Channel

Place on mark and allow to set up.

Fig 16a

## Shower Installation Only

**16b.** Open the **Door Glass (#01)** and remove the **Stationary Panel Glass (#11)**. Place both **U-Channels (1 and 2)** onto the reference marks on the threshold and the wall and mark the hole locations for drilling through the pre-drilled holes in the **U-Channels**. (Fig 16b)

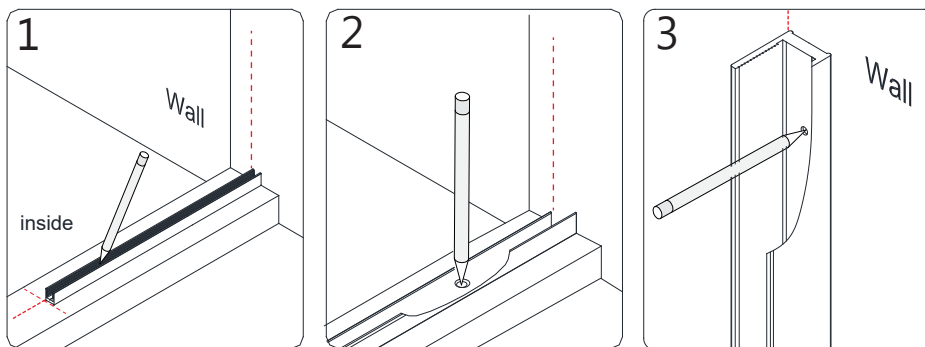


Fig 16b

**17.** Drill the holes into the threshold and wall:

- **Ø1/8"** holes into the threshold for an acrylic base (or **Ø5/16"** holes and **anchors for a tile threshold**)
- **Ø5/16"** holes into the wall and insert the **Wall Anchors (#13)**. (Fig 17)

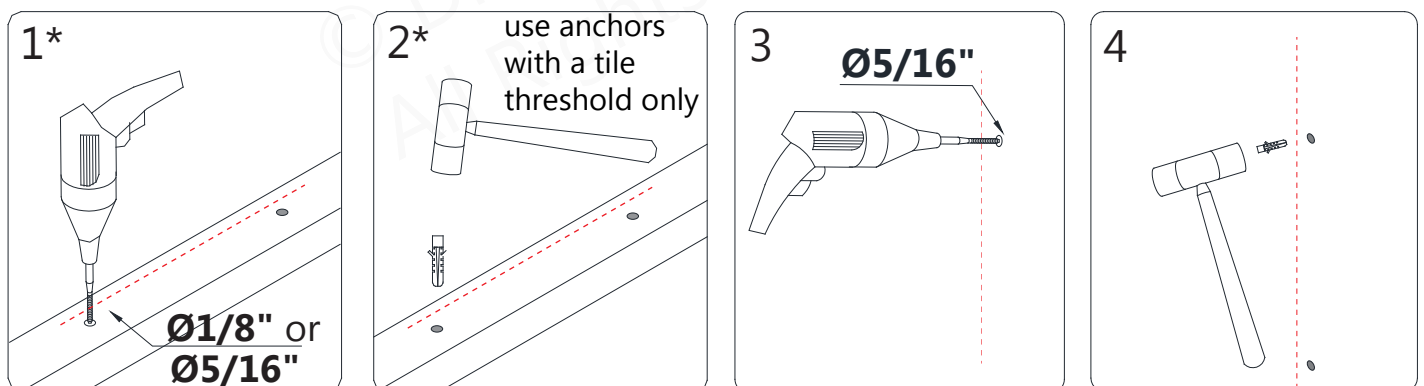
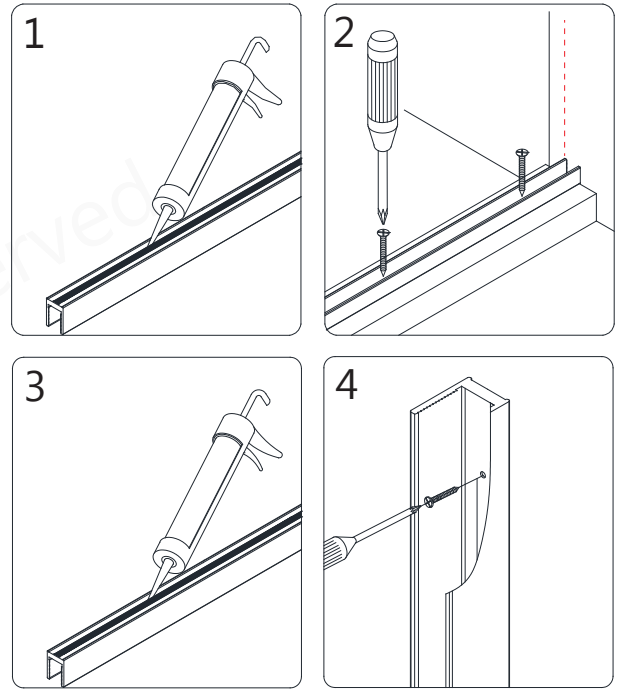


Fig 17

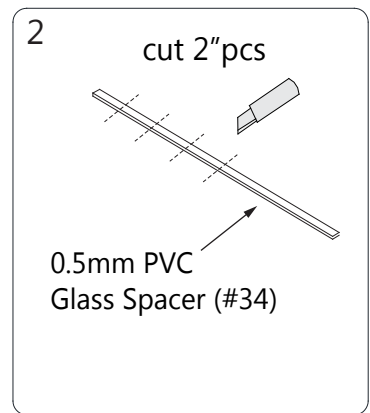
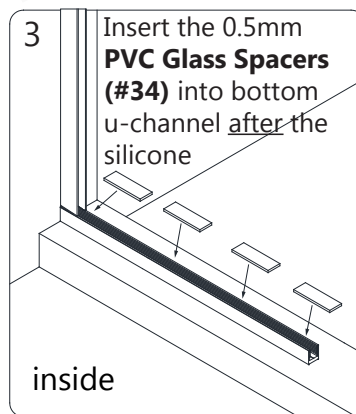
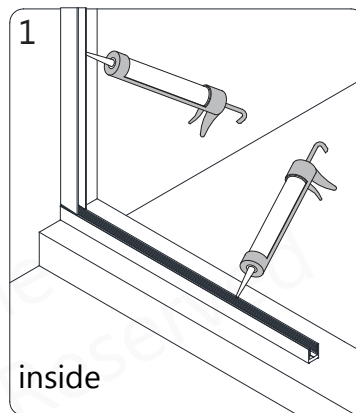
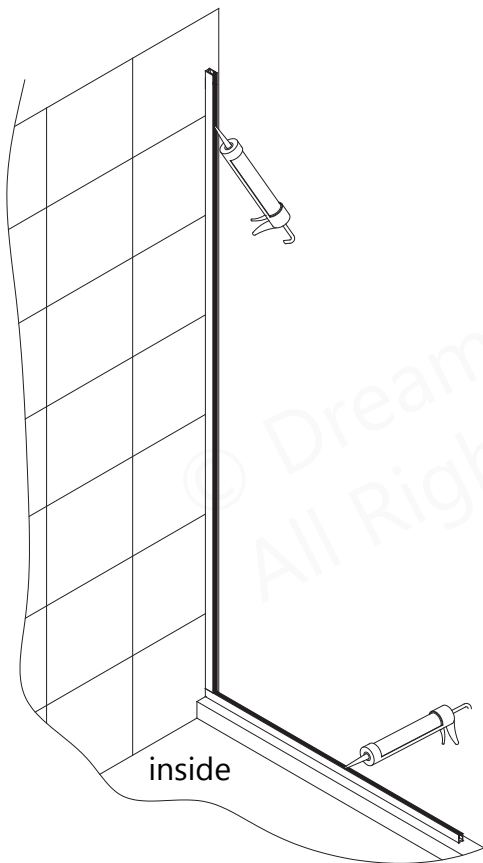
**18.** Add silicone to the back surface of the U-Channels and attach to the wall using the **ST4.2 x 40 Countersunk Screws (#23)** (Fig 18):

- Install the Bottom **U-Channel 2 (#29)** first
- then Install the Vertical **U-Channel 1 (#09)**



**Fig 18**

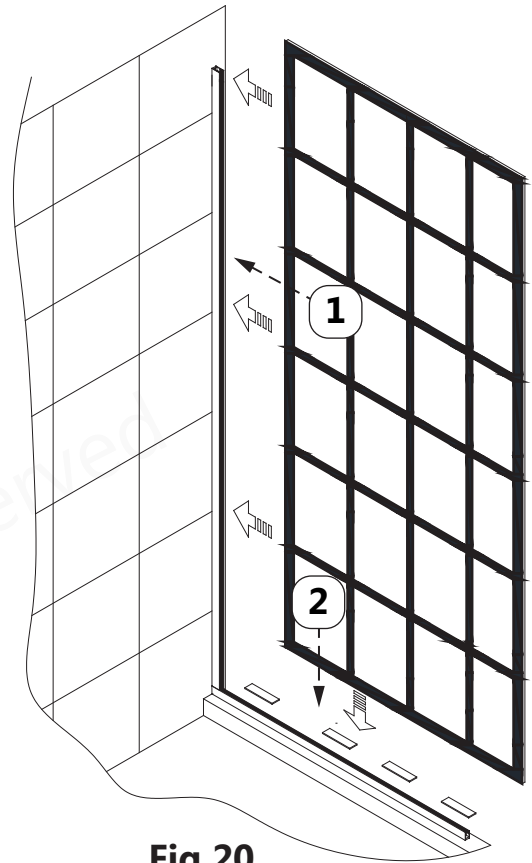
**19.** Apply a good quality mildew-resistant silicone into both U-Channels.  
Trim the **0.5mm PVC Glass Spacer (#34)** into several 2" pieces.  
Add several 2" pieces of the **0.5mm PVC Glass Spacer (#34)** into the **Bottom U-Channel (#29)** to protect the bottom and corners of the glass.  
(Fig 19)



**DO NOT** install one long continuous strip of the **0.5mm PVC Glass spacer** into the bottom rail

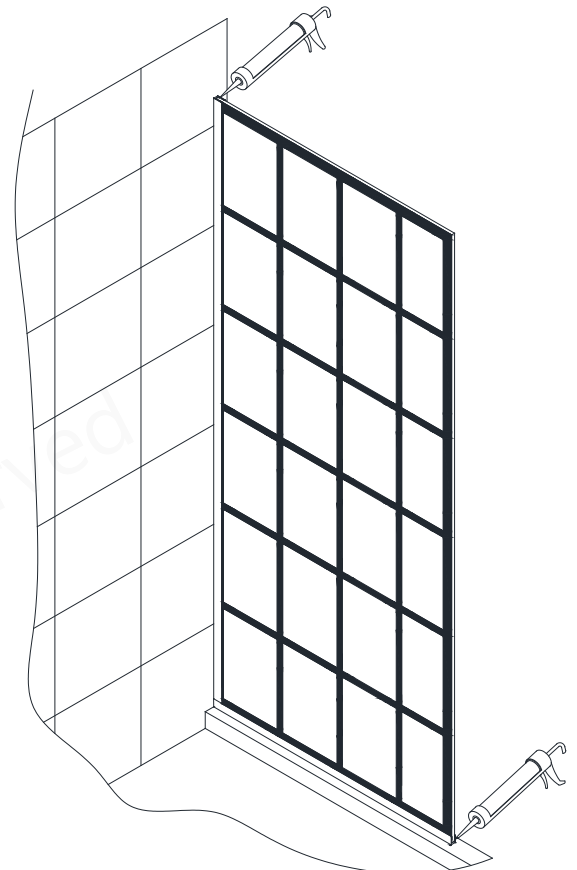
**Fig 19**

**20.** Install the **Stationary Panel Glass (#11)** into the **Vertical U-Channel (#09)** first and then slide it down into the **Bottom U-Channel (#29)** onto the **0.5mm PVC Glass Spacers (#34)**. Push the **Stationary Panel Glass (#11)** tight into the vertical **U-Channel 1 (#09)** so that the edge of the **Stationary Panel Glass (#11)** is flush with the open end of the bottom **U-Channel 2 (#29)**. (**Fig 20**)



**Fig 20**

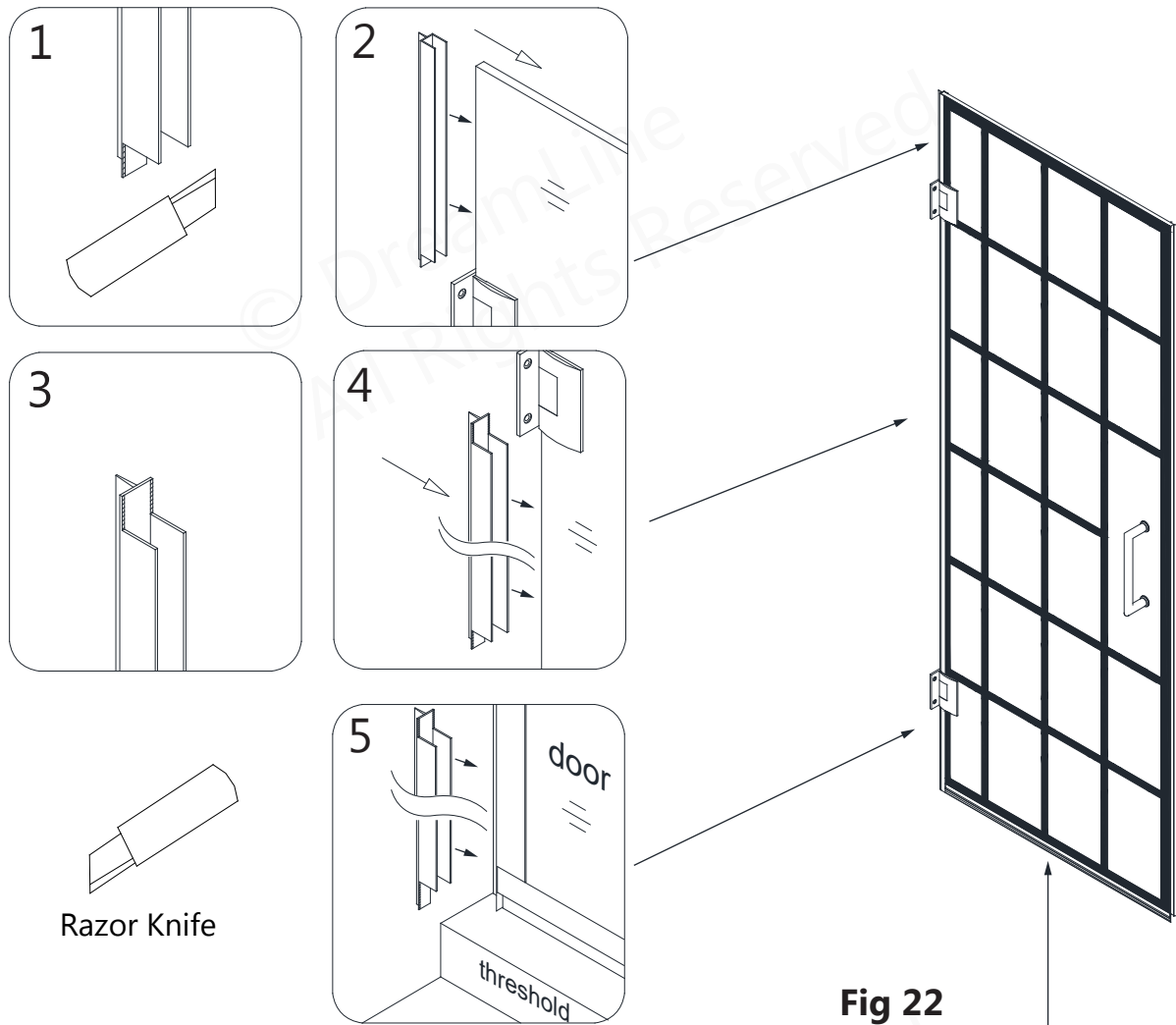
**21.** Apply a small amount of silicone to the exposed ends of the U-Channels. (**Fig 21**)



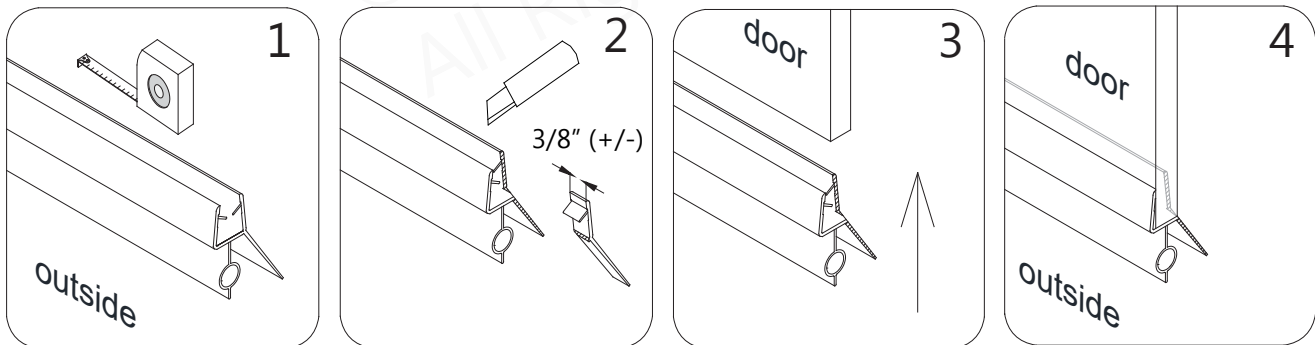
**Fig 21**



**22.** Use a razor knife to notch the **Side Strip (#06)** to fit around the hinges and sweep vinyl as shown. Open the Door and attach the **Side Strip (#06)** to the hinge-side of the **Door Glass (#01)**. (Fig 22)

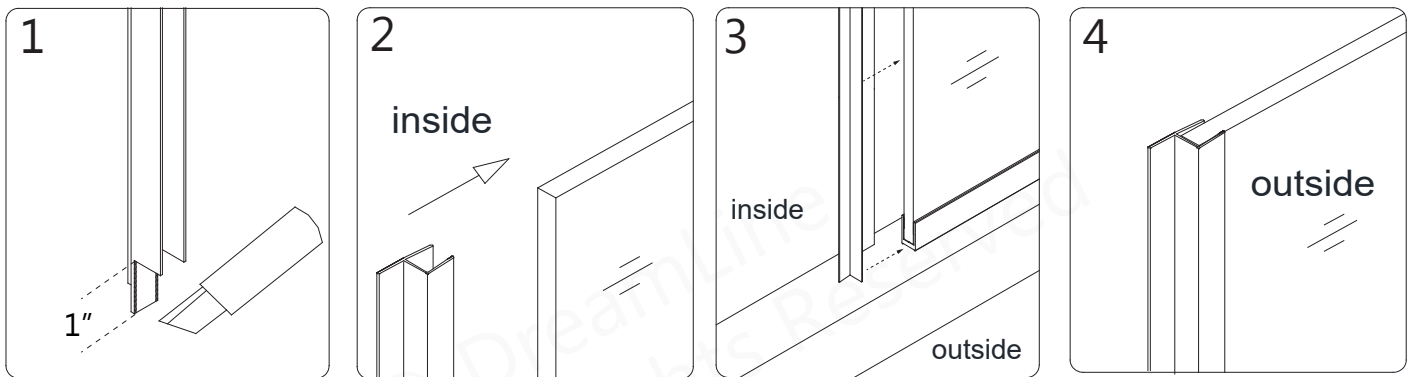


**23.** Cut the **Sweep Vinyl Seal (#07)** to the width of the **Door Glass (#01)**. Notch approximately  $3/8''$  off of the inner side of the **Sweep Vinyl Seal (#07)** where it overlaps the strike vinyl when the door is closed. Press the **Sweep Vinyl Seal (#07)** tightly onto the bottom edge of the **Door Glass (#01)**. (Fig 23)



**Fig 23**

**24.** Notch the **Anti-Water Strip (inline panel) (#19)** to fit around the bottom **U-Channel 2 (#29)** as shown. Push the strike vinyl tightly onto the edge of the **Stationary Panel Glass (#11)**. (**Fig 24**)

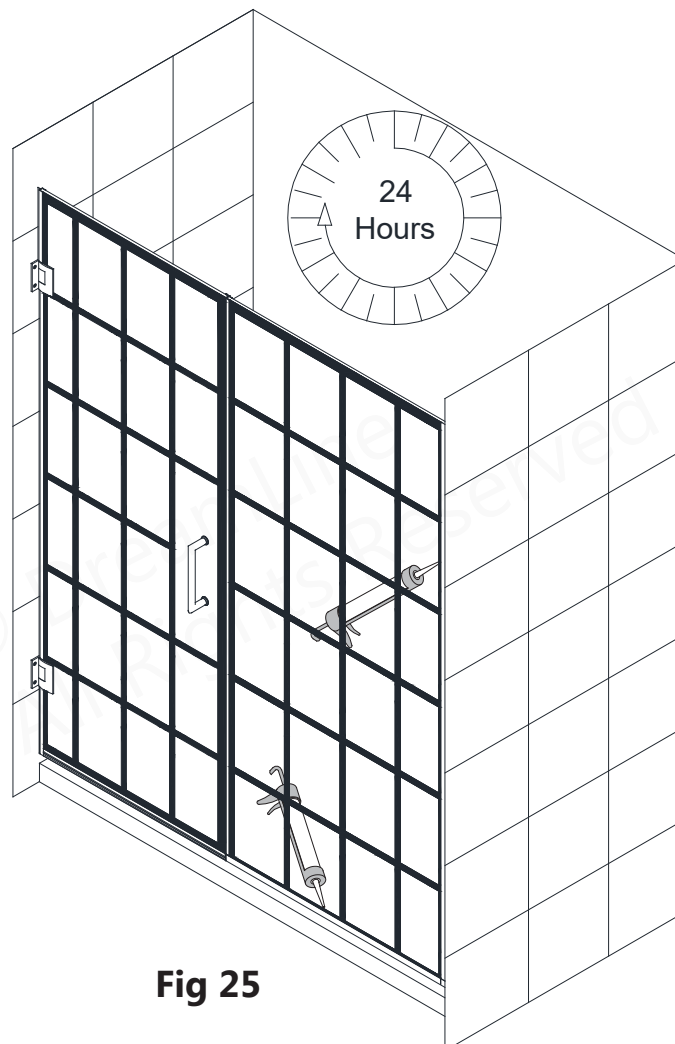


**Fig 24**

**25.** From inside the shower, apply a good quality mildew-resistant silicone where the u-channels meet the walls and threshold. Silicone may also be applied on the outside of the u-channels if desired. (**Fig 25**)



**Allow 24 hours for the silicone to fully cure before using the shower.**



**Fig 25**



## Product Maintenance

**BASES and BACKWALLS:** To ensure long-lasting life for your acrylic back walls, wipe them off after each use with a soft cloth. To clean the acrylic back walls use non-abrasive sprays or cream based cleaners. Avoid the use of aerosol spray cleaners. Never use abrasive cleansers, metal brushes or scrapers that could scratch or dull the surface.

**GLASS:** To ensure long-lasting life for your glass shower products, wipe them off after each use with a soft cloth. Rinse and wipe off the glass using either a soft cloth or a squeegee to prevent soap buildup and water spots (Hard water can etch the surface of the glass over time if left to dry). To prevent scratching the surface: never use abrasive cleaners or cleaning products that contain scouring agents. Never use bristle brushes or abrasive sponges that may scratch the surface.

**HARDWARE:** To ensure a long-lasting finish, wipe off the metal parts after each use with a soft cloth. Do not use abrasive cleaners or cleaning products containing ammonia, bleach or acid. If accidentally used, rinse the surface as soon as possible to prevent damage to the finish (peeling or corrosion). After cleaning the polished finishes, rinse thoroughly and wipe dry with a soft cloth. Clean stainless steel surfaces at least once a week. When applying stainless steel cleaner or polish to stainless steel hardware, work with (not across) the grain. Never use an abrasive sponge or cloth, steel wool or wired brush as these may permanently scratch the surfaces.

**NOTE: To maximize the life of your door, it is important to regularly inspect the glass and all hardware for misalignment, proper attachment, and/or damage. Contact DreamLine® with any questions or concerns.**

**DreamLine® shower doors and enclosures are designed not to leak when installed properly and the flow of water is not pointed directly at the wall mounted hinges or vinyl seals.**

# Troubleshooting

Problem/Symptom	Suggested Solution
Missing Parts	<ul style="list-style-type: none"> <li>•Check all shipping/packaging material for missing parts/components.</li> <li>•If not found, contact DreamLine Customer Support [1-866-731-2244] to order factory part</li> </ul>
<b>Door Glass (#01)</b> 'sags'/leans from the wall; not level across the top of the door glass	<ul style="list-style-type: none"> <li>•Remove the vinyl seals from the <b>Door Glass (#01)</b> and the backplates of the <b>Hinge Assemblies (#05)</b>; remove the glass and set on a protective surface. Remove and clean the clear Hinge Assembly gaskets and the glass around the hinge cutouts and re-install, fully tighten the hinge bolts using a screw gun and a 4mm hex bit. A medium-strength thread lock (not included) can also be applied to the hinge bolts.</li> <li>•Confirm the hinge screws were are installed into wood reinforcement during installation; removal and reinstallation may be necessary.</li> </ul>
<b>Door Glass (#01)</b> does not create a tight seal with the vinyls while in the closed position	<ul style="list-style-type: none"> <li>•Confirm the <b>Door Glass (#01)</b> is plumb with a level; Confirm the <b>Strike Vinyl Seal (#19)</b> is installed in the correct location so the door glass creates a tight seal with the vinyl when in the closed position.</li> <li>•The <b>Door Glass (#01)</b> may need adjustment to reset the <b>Hinge Assemblies (#05)</b> for overclose to achieve a seal, refer to the Hinge Assembly Adjustment Procedure</li> </ul>
Water Leakage: <b>Hinge Assembly (#05)</b>	<ul style="list-style-type: none"> <li>•Confirm the vinyls are notched as instructed and tightly secured to the <b>Door Glass (#01)</b>.</li> <li>•Direct the water flow away from the area</li> </ul>
Water Leakage: <b>Bottom Sweep Vinyl Seal (#07)</b>	<ul style="list-style-type: none"> <li>•Confirm the vinyl is tightly secured to the bottom of the <b>Door Glass (#01)</b>. Also, confirm the distance between the bottom of the <b>Door Glass (#01)</b> and threshold is 5/8" (16mm)</li> <li>•Direct the water flow away from the area</li> </ul>
<b>Handle (#02)</b> rattles or shakes during operation	<ul style="list-style-type: none"> <li>•Confirm the vinyl gaskets are present and the handles are tightly secured to the glass. If applicable, hand tighten the set screws with an allen key until firm.</li> </ul>
<b>Door Glass (#01)</b> does not close flush with the <b>180° Strike Vinyl Seal (#19)</b> and the <b>Stationary Panel Glass (#11)</b>	<ul style="list-style-type: none"> <li>•Inspect the <b>Strike Vinyl Seal (#19)</b> and make sure it is correctly installed on the <b>Stationary Panel Glass (#11)</b> with the fin toward the inside of the shower.</li> <li>•Check that the reveal between the <b>Door Glass (#01)</b> and the <b>Stationary Panel Glass (#11)</b> is consistent from top to bottom. If correction is needed, use a level and adjust the assembly. Removal and re-installation of the <b>Door Glass (#01)</b> and the <b>Stationary Panel Glass (#11)</b> may be necessary.</li> </ul>
Leaks from beneath the <b>Bottom U-Channel (#29)</b> and <b>Stationary Panel Glass (#11)</b>	<ul style="list-style-type: none"> <li>•Confirm that all screws in the <b>Bottom U-Channel (#29)</b> are tightly secured to the threshold. Inspect the silicone and make sure a complete application has been applied, both under the <b>Bottom U-Channel (#29)</b> and along the inside edge. If new silicone is needed, allow 24 hours for the silicone to cure before using the shower</li> </ul>



Prior to contacting DreamLine® Customer Service, please have the following information readily available:

- Purchase Order Information
  - Name, PO Number, Dealer/Vendor Name, etc.
- SKU/Model Number
- Factory Part Information

# Factory Parts Information

UNIDOOR PLUS TOULON SHOWER DOOR		FACTORY PARTS INFORMATION	
SHDR-2434720-##		34" X 72" Shower Door	
ITEM #	FACTORY PART NUMBER	ITEM DESCRIPTION	QTY
01	010137142	Door Glass	1
02	0722 <b>X</b> 041	Handle	1
04	092131	ST5 x 70mm Countersunk Screw	8
05	0741 <b>X</b> 027	Adjustable Hinge	2
06	063011102-1829	Hinge-side Vinyl Seal	1
07	063015102-0747	Sweep Vinyl	1
13	07552148	Wall Anchor	8
31	07550079, 07550080, 07550081	PVC Hinge Spacer (1mm, 2mm, 3mm)	8 pcs
09	041540 <b>X</b> 1-1854PF	Vertical U-Channel	1
11	010137143	Stationary Panel Glass	1
19	063010102-1829	Strike Vinyl	1
23	092108	ST4.2 x 40mm Countersunk Screw	11
29	041540 <b>X</b> 1-0283PF	Bottom U-Channel	1
34	07550083	PVC Glass Spacer Strip	1

UNIDOOR PLUS TOULON SHOWER DOOR		FACTORY PARTS INFORMATION	
SHDR-2440720-##		40" x 72" Shower Door	
ITEM #	FACTORY PART NUMBER	ITEM DESCRIPTION	QTY
01	010137144	Door Glass	1
02	0722 <b>X</b> 041	Handle	1
04	092131	ST5 x 70mm Countersunk Screw	8
05	0741 <b>X</b> 027	Adjustable Hinge	2
06	063011102-1829	Hinge-side Vinyl Seal	1
07	063015102-0747	Sweep Vinyl	1
13	07552148	Wall Anchor	8
31	07550079, 07550080, 07550081	PVC Hinge Spacer (1mm, 2mm, 3mm)	8 pcs
09	041540 <b>X</b> 1-1854PF	Vertical U-Channel	1
11	010137145	Stationary Panel Glass	1
19	063010102-1829	Strike Vinyl	1
23	092108	ST4.2 x 40mm Countersunk Screw	11
29	041540 <b>X</b> 1-0459PF	Bottom U-Channel	1
34	07550083	PVC Glass Spacer Strip	1

**BOLD digit indicates finish color:**

**1 or 8 = Polished SS**

**4 or 5 or 7 = Brushed SS**

**6 = Oil Rubbed Bronze**

**9 = Satin Black**

# Factory Parts Information

UNIDOOR PLUS TOULON SHOWER DOOR		FACTORY PARTS INFORMATION	
SHDR-2446720-##		46" x 72" Shower Door	
ITEM #	FACTORY PART NUMBER	ITEM DESCRIPTION	QTY
01	010137140	Door Glass	1
02	0722 <b>X</b> 041	Handle	1
04	092131	ST5 x 70mm Countersunk Screw	8
05	0741 <b>X</b> 027	Adjustable Hinge	2
06	063011102-1829	Hinge-side Vinyl Seal	1
07	063015102-0755	Sweep Vinyl	1
13	07552148	Wall Anchor	8
31	07550079, 07550080, 07550081	PVC Hinge Spacer (1mm, 2mm, 3mm)	8 pcs
09	041540 <b>X</b> 1-1854PF	Vertical U-Channel	1
11	010137141	Stationary Panel Glass	1
19	063010102-1829	Strike Vinyl	1
23	092108	ST4.2 x 40mm Countersunk Screw	11
29	041540 <b>X</b> 1-0449PF	Bottom U-Channel	1
34	07550083	PVC Glass Spacer Strip	1

UNIDOOR PLUS TOULON SHOWER DOOR		FACTORY PARTS INFORMATION	
SHDR-2452720-##		52" x 72" Shower Door	
ITEM #	FACTORY PART NUMBER	ITEM DESCRIPTION	QTY
01	010137139	Door Glass	1
02	0722 <b>X</b> 041	Handle	1
04	092131	ST5 x 70mm Countersunk Screw	8
05	0741 <b>X</b> 027	Adjustable Hinge	2
06	063011102-1829	Hinge-side Vinyl Seal	1
07	063015102-0747	Sweep Vinyl	1
13	07552148	Wall Anchor	8
31	07550079, 07550080, 07550081	PVC Hinge Spacer (1mm, 2mm, 3mm)	8 pcs
09	041540 <b>X</b> 1-1854PF	Vertical U-Channel	1
11	010137138	Stationary Panel Glass	1
19	063010102-1829	Strike Vinyl	1
23	092108	ST4.2 x 40mm Countersunk Screw	11
29	041540 <b>X</b> 1-0617PF	Bottom U-Channel	1
34	07550083	PVC Glass Spacer Strip	1

**BOLD digit indicates finish color:**

**1 or 8 = Polished SS**

**4 or 5 or 7 = Brushed SS**

**6 = Oil Rubbed Bronze**

**9 = Satin Black**

# Factory Parts Information

UNIDOOR PLUS TOULON SHOWER DOOR		FACTORY PARTS INFORMATION	
SHDR-2458720-##		58" x 72" Shower Door	
ITEM #	FACTORY PART NUMBER	ITEM DESCRIPTION	QTY
01	010137126	Door Glass	1
02	0722 <b>X</b> 041	Handle	1
04	092131	ST5 x 70mm Countersunk Screw	8
05	0741 <b>X</b> 027	Adjustable Hinge	2
06	063011102-1829	Hinge-side Vinyl Seal	1
07	063015102-0747	Sweep Vinyl	1
13	07552148	Wall Anchor	8
31	07550079, 07550080, 07550081	PVC Hinge Spacer (1mm, 2mm, 3mm)	8 pcs
09	041540 <b>X</b> 1-1854PF	Vertical U-Channel	1
11	010137125	Stationary Panel Glass	1
19	063010102-1829	Strike Vinyl	1
23	092108	ST4.2 x 40mm Countersunk Screw	11
29	041540 <b>X</b> 1-0813PF	Bottom U-Channel	1
34	07550083	PVC Glass Spacer Strip	1

UNIDOOR PLUS TOULON TUB MODEL		FACTORY PARTS INFORMATION	
SHDR-2458580-##		34" x 72" Tub Door	
ITEM #	FACTORY PART NUMBER	ITEM DESCRIPTION	QTY
01	010137198	Door Glass	1
02	0722 <b>X</b> 041	Handle	1
04	092131	ST5 x 70mm Countersunk Screw	8
05	0741 <b>X</b> 027	Adjustable Hinge	2
06	063011102-1829	Hinge side vinyl seal	1
07	063015102-0747	Sweep Vinyl	1
13	07552148	Wall Anchor	8
31	07550079, 07550080, 07550081	PVC Hinge Spacer (1mm, 2mm, 3mm)	8 pcs
09	041540 <b>X</b> 1-1453PF	Vertical U-Channel	1
11	010137197	Stationary Panel Glass	1
19	063010102-1829	Strike Vinyl	1
23	092108	ST4.2 x 40mm Countersunk Screw	11
29	041540 <b>X</b> 1-0813PF	Bottom U-Channel	1
34	07550083	PVC Glass Spacer Strip	1

**BOLD digit indicates finish color:**

**1 or 8 = Polished SS**

**4 or 5 or 7 = Brushed SS**

**6 = Oil Rubbed Bronze**

**9 = Satin Black**



© DreamLine  
All Rights Reserved



© DreamLine  
All Rights Reserved

TEL: 866-731-2244  
FAX: 866-857-3638  
DREAMLINE.COM



For more information on DreamLine® Shower Doors and Enclosures please visit **DreamLine.com**