

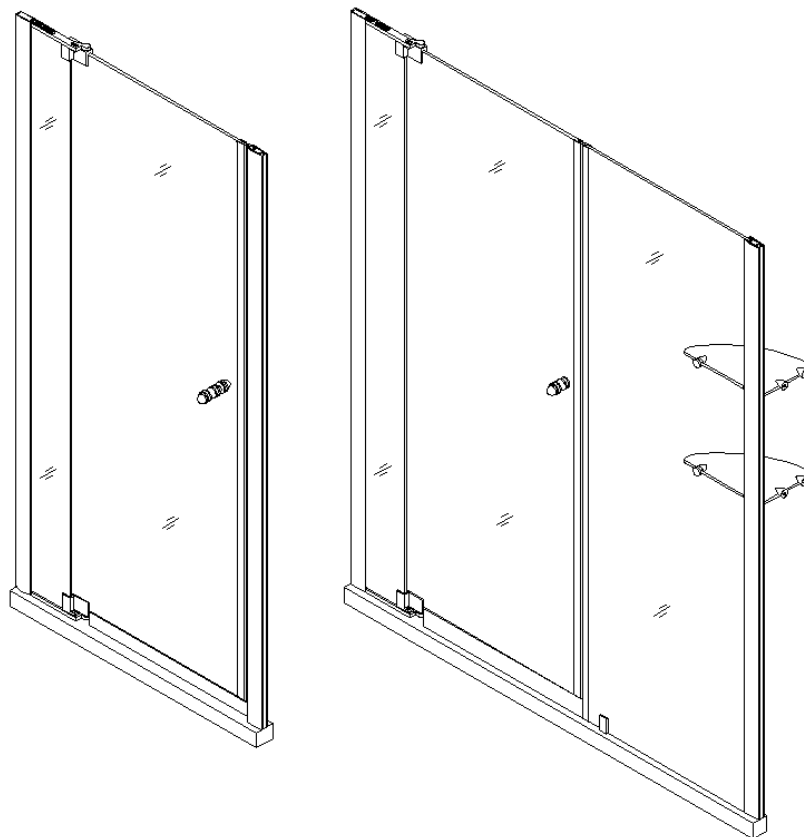


ALLURE

SHOWER DOOR INSTALLATION INSTRUCTIONS

IMPORTANT

DreamLine™ reserves the right to alter, modify or redesign products at any time without prior notice. For the latest up-to-date technical drawings, manuals or any other details please refer to the support.BathAuthority.com web page.



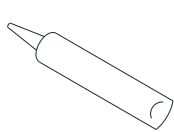
Please read these instructions carefully before installing. If you have any questions regarding installation, please call our technical support specialists Monday through Friday 9:00 AM – 5:00 PM EST at Phone: [1-866-731-2244](tel:1-866-731-2244), Fax: [1-866-227-1533](tel:1-866-227-1533) or e-mail our technical support group at support@BathAuthority.com.

For more information on [DreamLine™ Shower Doors](http://www.BathAuthority.com) please visit www.BathAuthority.com

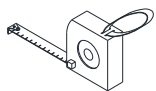
Preparation

1. After opening all boxes and packages, read this introduction carefully. Check that all of the needed parts are included in the package by marking all the components on the "Detailed Diagram of Shower Door Components". Examine boxes and packages for shipping damage. If the unit has been damaged, has a finishing defect, or has missing parts, please contact our customer support department within 5 business days of the delivery date. Please note that **DreamLine™ will not replace any damaged products or missing parts free of charge after 5 business days or if the product has been installed.** Feel free to contact DreamLine™ if you have any questions.
2. **Please note that you should consult your local building codes with questions on installation compliance standards. Building and plumbing codes may vary by location, and DreamLine is not responsible for code compliance standards for your project and will not accept any returns.**
3. If this unit is going to be installed in a new construction, please, install all of the required plumbing and drainage before installing the shower. **Use a competent and licensed (if required by local code) plumber for all plumbing installation**
4. Prior to the installation, please ensure that the installation surface is level and solid and will be able to support the total weight of the unit. Also make sure that the walls are plumb. Depending on the type of unit you are installing, some adjustments in leveling may be possible. However, irregular installation, surface level or out of square conditions can result in serious problems for your installation. Please note that some adjustments and drilling may be necessary. Please protect all primary surfaces of the product during installation. **Never set your glass down directly onto a tile floor.** Always use a piece of wood or cardboard to protect the bottom edge and corners of the glass.
5. **Please, NOTE! This door has 1" width or out-of-plumb adjustment in wall profile and 6" width adjustment in pivot hardware.**
6. a) If the width of your door is less than **37³/₄"** and you are installing the door without stationary glass, you only need to refer to **(Diagram A)** with **(Packing List A)**.
b) If the width of your door is **37¹/₄"** and over, and you are installing the door and stationary glass with glass shelves, you have to use **(Diagram A and B)** with **(Packing List A and B)** to complete the installation

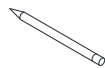
Tools Required



Caulk



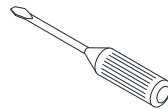
Tape Measure



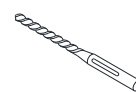
Pencil



Phillips Screwdriver



Flat Screwdriver



Drill bit (Ø=5/16")



Drill bit (Ø=1/8")



Level



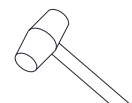
Caulk Gun



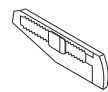
Electric Drill



Hammer



Mallet

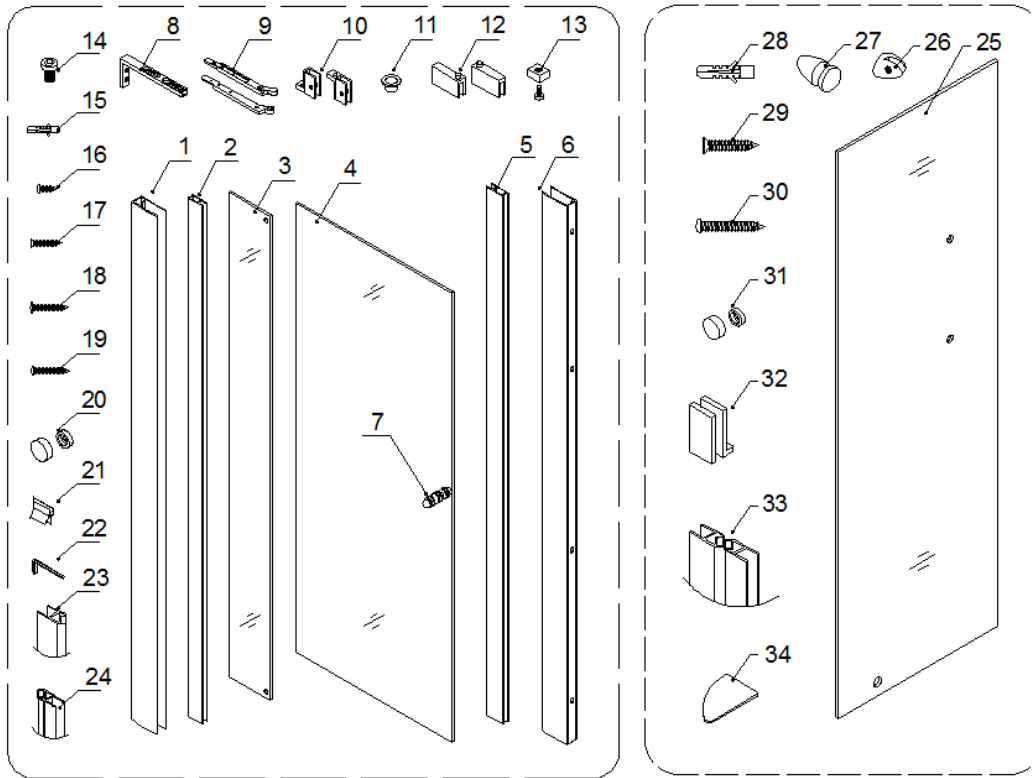


Knife

Detailed Diagrams of Shower Door Components

Diagram A

Diagram B



Packing List A

01	Wall profile for small stationary glass	1pc	13	Fixing nut with M4×12 screw	1set
02	Glass profile for small stationary glass	1pc	14	Socket head screw M6×6	2pcs
03	Small stationary glass	1pc	15	Wall anchor	12pcs
04	Glass door	1pc	16	Flat head screw ST4.2×16	6pcs
05	Glass profile	1pc	17	Flat head screw ST4.2×25	2pcs
06	Wall profile	1pc	18	Round head screw ST4.2×40	12pcs
07	Handle	1pair	19	Round head screw ST4.2×25	1pc
08	Pivot retainer	2pcs	20	Decorative cover	6pcs
09	Pivot bracket (upper and bottom)	1pair	21	Bottom anti-water strip	1pc
10	Glass fixer (upper and bottom)	1pair	22	Hex wrench	1pc
11	Washer	2pcs	23	Magnetic strip on door	1pc
12	Pivot assembly (upper and bottom)	1pair	24	Magnetic strip on jamb	1pc

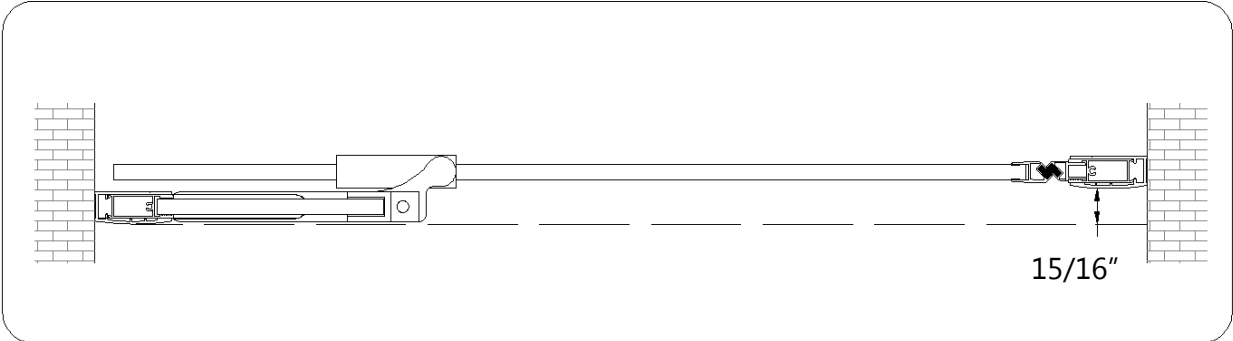
Packing List B (Only for door with stationary glass)

25	Stationary glass	1pc	30	Round head screw ST4.2×25	1pc
26	Shelf bracket (without nut)	4pcs	31	Decorative cover	1pc
27	Shelf bracket (with nut)	2pcs	32	Bracket	1pc
28	Wall anchor	4pcs	33	Magnetic strip	1pair
29	Flat head screw ST4.2×25	4pcs	34	Glass shelf	2pcs

NOTE: Unpack your unit carefully and inspect it. Lay it out and identify all parts using parts diagram and part list in your manual as a reference. Before discarding the carton, check for small hardware bags that tend to fall to the bottom of the box. If any parts are damaged or missing, please contact DreamLine™ for replacement.

NOTE: Retain these installation instructions for future reference.

Shower Door Top View Diagram



Shower Door Installation

1. Place the **Wall profile for small stationary glass (01)** on the threshold vertically and align against the finished wall. Adjust the **Wall profile for small stationary glass** position and level it.
Mark the drilling holes on the wall through the predrilled holes in the **Wall profile for small stationary glass**.
Now drill the holes in the wall using $\text{Ø } 5/16''$ drill bit and insert the **Wall anchor (15)**.

See Fig. 1 for details.

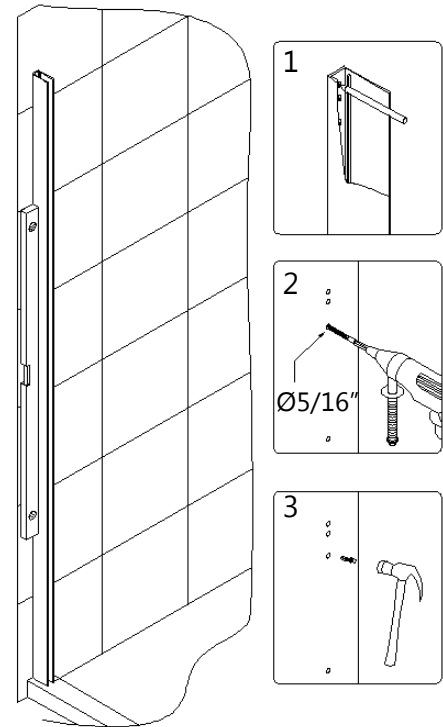


Fig. 1

2. Push the **Pivot retainer (08)** into both ends of the **Wall profile for small stationary glass (01)**.

See Fig. 2 for details.

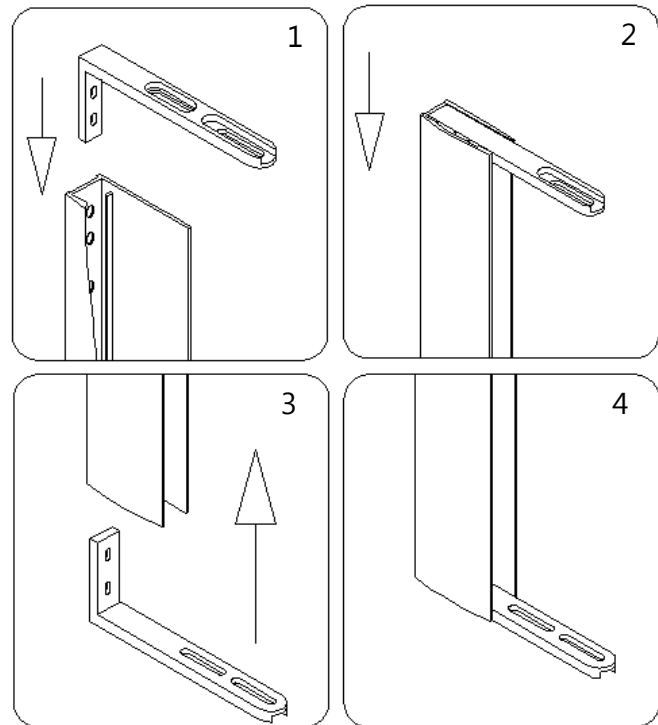


Fig. 2

3. Run a silicone bead along the holes on the wall.
Attach the **Wall profile for small stationary glass (01)** and **Pivot retainer (08)** to the wall using **Round head screws ST4.2×40 (18)**.

See Fig. 3 for details.

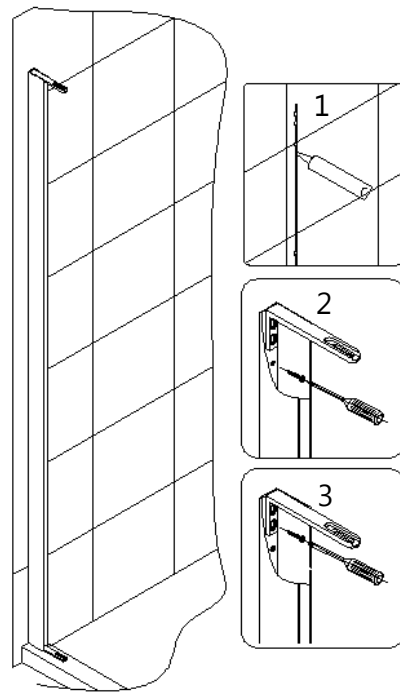


Fig. 3

4. Apply clear silicone along the inner channel of the **Glass profile for small stationary glass (02)** and push the **Small stationary glass (03)** inside the channel.

NOTE: The small hole on the short side of the **Small stationary glass** should be located at the bottom and away from the wall.

NOTE: If you have difficulty sliding the Glass profile over the Stationary glass, you can slightly tap on the Glass profile with a rubber mallet and a piece of wood. Please do not strike directly on the profile or on the edge of the glass panel.

See Fig. 4 for details.

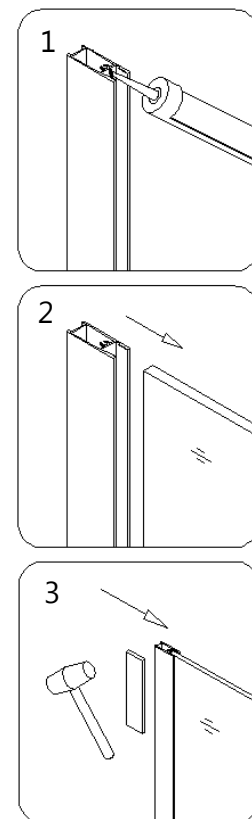


Fig. 4

- Attach the **Pivot brackets (09)** to the top and the bottom end of the assembled **Small stationary glass (03)** and the **Glass profile for small stationary glass (02)** with the **Flat head screws ST4.2×25 (17)**.

See Fig. 5 for details.

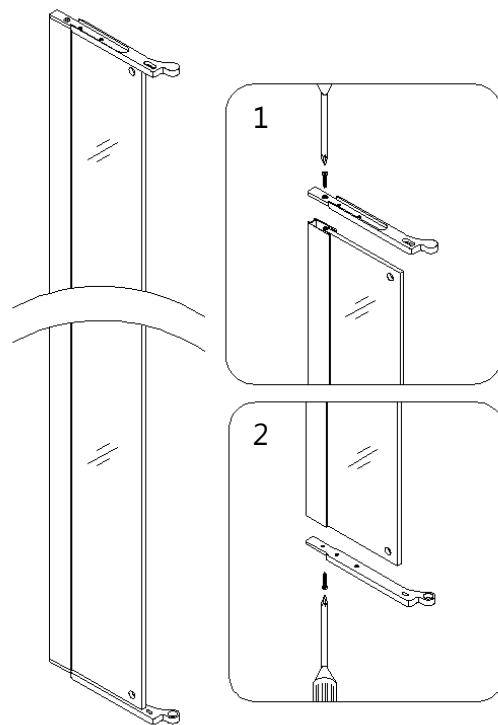


Fig. 5

- Assemble the **Glass fixer (10)** to the top and the bottom hole of the **Small stationary glass (03)**. Fasten the top **Glass fixer (10)** to the top **Pivot bracket (09)** using **Fixing nut with M4×12 screw (13)** and cover screw location with decorative cover.

See Fig. 6 for details.

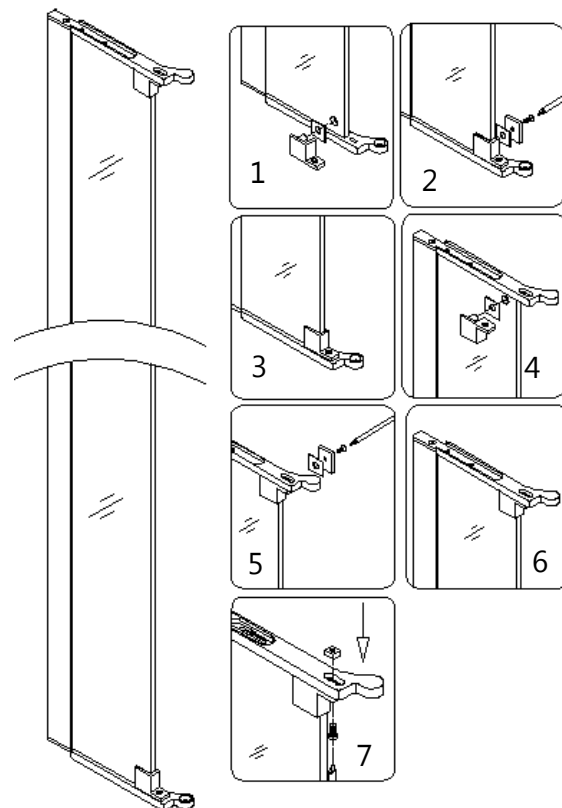


Fig. 6

- Slide the **Small stationary glass assembly** into the groove of the **Wall profile for small stationary glass (01)**.

See Fig. 7 for details.

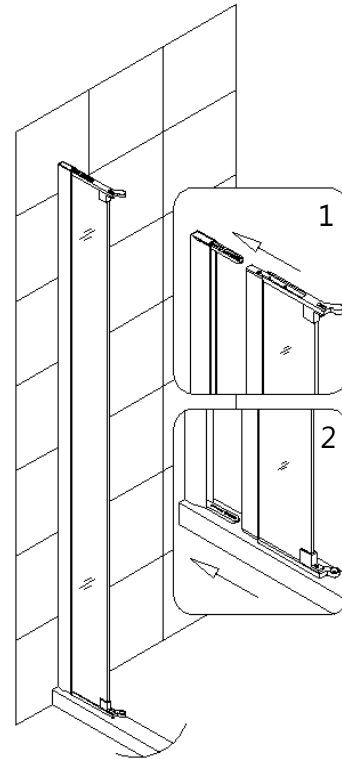


Fig. 7

- Secure the upper **Pivot bracket (09)** to the upper **Pivot retainer (08)** with **Socket head screw M6×6 (14)**.

Adjust the **Small stationary glass (03)** vertically using a level and fix it in the place by tightening the **Socket head screw M6×6**.

Drill hole into the Shower base through the predrilled hole in the **Glass fixer (10)** and the **Pivot bracket (09)** using $\text{Ø } 1/8''$ drill and fasten it using **Round head screws ST4.2×25 (19)**.

Cover screw location with **Decorative cover (20)**.

See Fig. 8 for details.

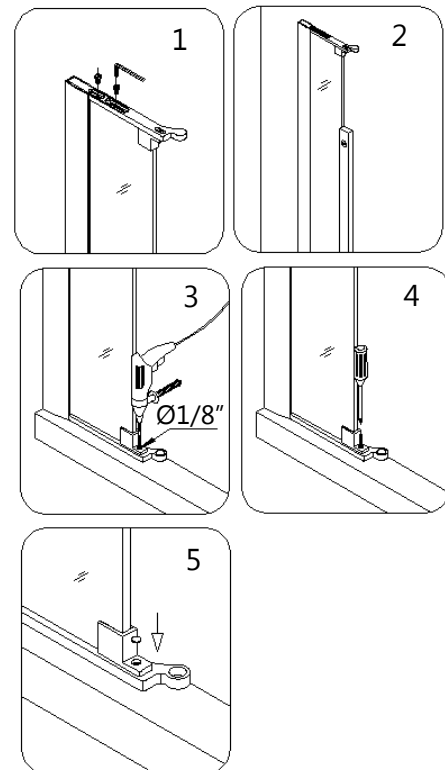


Fig. 8

9. Attach the top and the bottom **Pivot assemblies (12)** to the **Pivot brackets (09)**. Make sure the **Washer (11)** is in between **Pivot assemblies** and **Pivot brackets** and the rubber gaskets between the glass and the metal parts. Slide the **Glass door (04)** into groove of the **Pivot assemblies** and tighten the provided fasten bolts. Push the **Magnetic strip on door (23)** on the vertical edge of the **Glass door**.

See Fig. 9 for details.

NOTE:

Smaller cut out on the Glass door panel must be on the bottom and deeper cut out must be on the top.

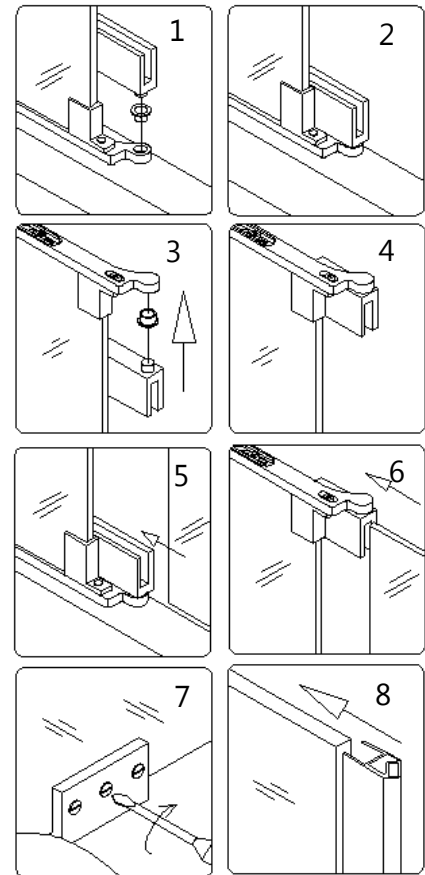


Fig. 9

ATTENTION:

- a) If the width of your door is less than **37¾"** and you are installing the door without stationary glass, you only need to refer to **(Diagram A)** with **(Packing List A)** and follow to Steps 10-13
- b) If the width of your door is **37¾"** and over, and you are installing the door and stationary glass with glass shelves, you have to use **(Diagram A and B)** with **(Packing List A and B)** to complete the installation and follow to Steps 14-21

10. Push the **Glass profile (05)** into the groove of the **Wall profile (06)** and push the **Magnetic strip on jamb (24)** into the groove of the **Glass profile**.

Close the **Glass door (04)**. Adjust the position of the **Glass door** and position of the **Wall profile** on the wall to ensure the **Magnetic strips** are able to contact each other properly. In this process, you have to use a level to ensure that the **Glass door** is absolutely vertical.

Draw a line along the vertical edge of the **Wall profile** on the wall. Detach the **Wall profile** from the **Glass profile**. Place the **Wall profile** to the outlined position and mark the drilling holes through the predrilled holes in the **Wall profile**. Now drill the holes using **Ø 5/16"** drill bit in the wall and insert the **Wall anchors (15)** into the holes.

Apply silicone along the **Wall profile** and around the holes. Fasten the **Wall profile** to the wall with the **Round head Screw ST4.2×40 (18)**. Then push the **Glass profile** assembly into the **Wall profile**.

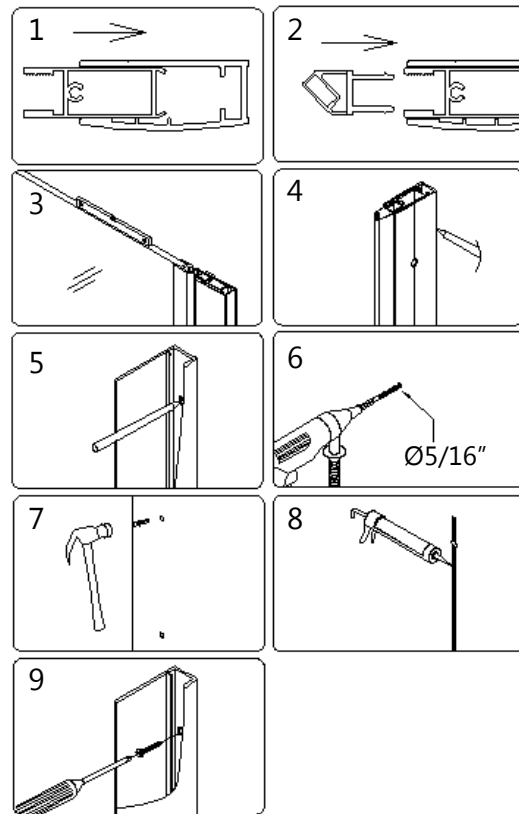


Fig. 10

See Fig. 10 for details.

11. After final adjustments of the **Assembled unit** drill six holes, three on each side, through the first layer of the **Wall profiles** and the **Glass profiles** using **Ø 1/8"** drill bit.

Use **Flat head screws ST4.2×10 (16)** to secure the **Glass profiles** inside of the **Wall profiles**. Cover the exposed screw holes with **Decorative cover (20)**.

See Fig. 11 for details.

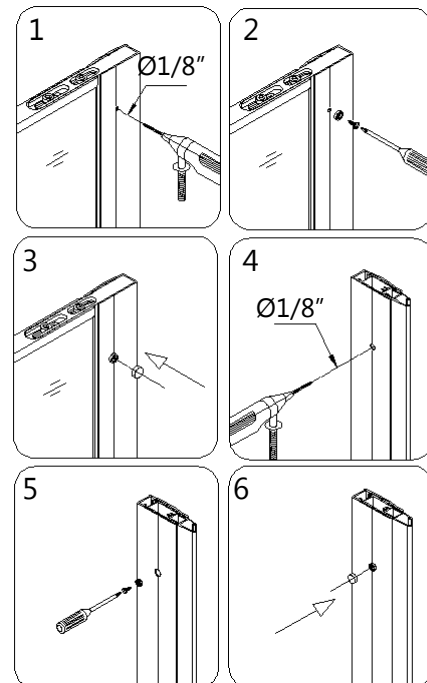


Fig. 11

12. Mount the **Handle (07)** onto the **Glass door (01)**.
Attach the **Bottom anti-water strip (21)** onto the glass door. (You can cut the strip to size by using a knife).

See Fig. 12 for details.

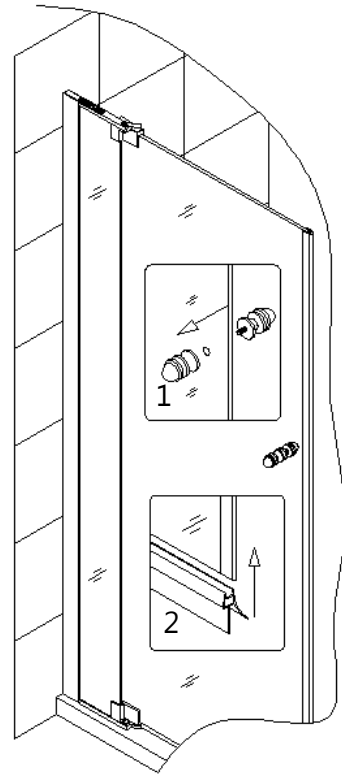


Fig. 12

13. Apply silicone sealant between the tray or threshold and the pivot bracket. Also, apply silicone between the wall and the wall profiles.

See Fig. 13 for details.

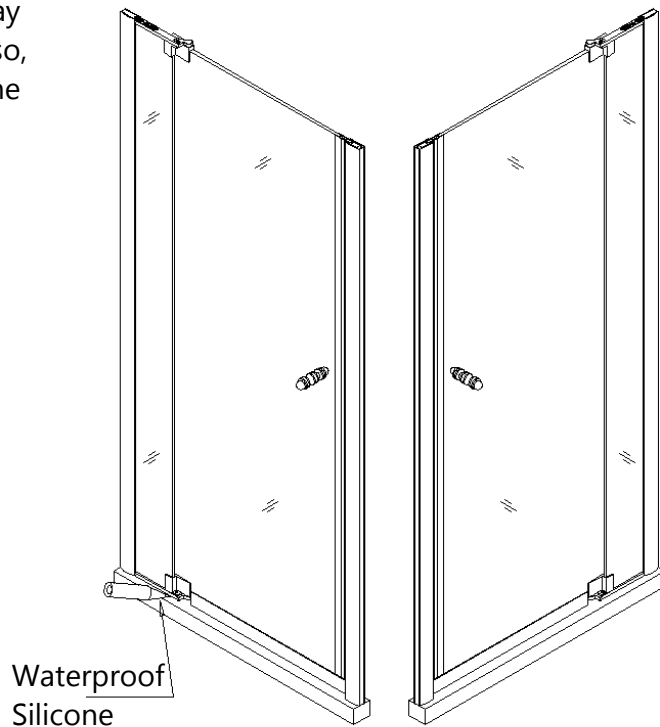


Fig. 13

Stationary Glass Installation

14. Push the **Magnetic strip (33)** on the vertical edge of the **Glass door (04)**.

Apply clear silicone along the inner channel of the **Glass profile (05)** and push the **Stationary glass (25)** inside the channel.

NOTE: If you have difficulty sliding the **Glass profile** over the **Stationary glass**, you can slightly tap on the **Glass profile** with a rubber mallet and a piece of wood. Please do not strike directly on the profile or on the edge of the glass panel.

Slide the **Stationary glass** with the **Glass profile** into the groove of the **Wall profile (06)**. Push the **Magnetic strip (33)** on the vertical edge of the **Stationary glass**. Close the **Glass door**. Adjust the width of the opening section of the **Glass door** by loosen the holding screws on the pivots. Level the **Glass door** and the **Stationary glass** position to ensure the **Magnetic strips** are able to contact each other properly.

See Fig. 14 for details.

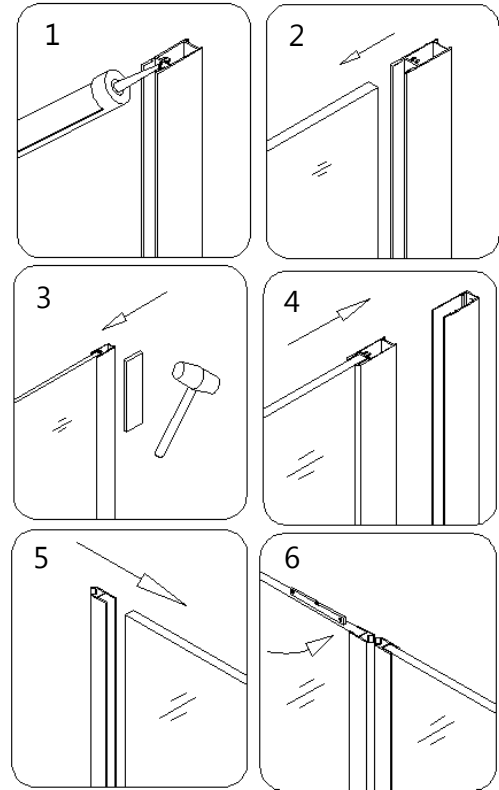


Fig. 14

15. Draw a line along the vertical edge of the **Wall profile (06)** on the wall. Detach the **Wall profile** from the **Glass profile (05)**. Place the **Wall profile** to the outlined position and mark the drilling holes through the predrilled holes in the **Wall profile**.

Now drill the holes using $\varnothing 5/16''$ drill bit in the wall and insert the **Wall anchors (15)** into the holes.

Apply silicone along the **Wall profile** and around the holes. Fasten the **Wall profile** to the wall with the **Round head Screw ST4.2×40 (18)**.

See Fig. 15 for details.

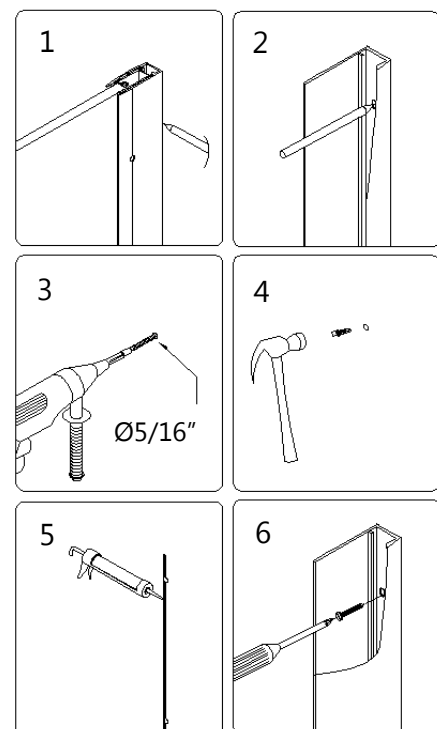


Fig. 15

16. Slide the **Stationary glass (04)** with the **Glass profile (05)** back into the groove of the **Wall profile (06)**.

Readjust the **Glass door (04)** to ensure that **Magnetic strips (33)** work as desired.

See Fig. 16 for details.

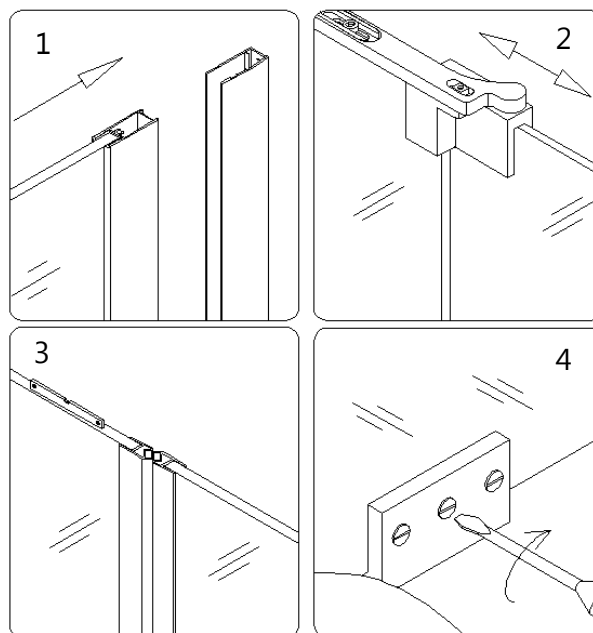


Fig. 16

17. Install the **Bracket (32)** onto the stationary glass and drill the hole into the Shower base or the threshold using $\text{Ø } 1/8''$ drill bit.

Use **Round head screws ST4.2×25 (30)** to attach the **Bracket** to the Shower base or the threshold.

Cover the screw location with **Decorative cover (31)**.

See Fig. 17 for details.

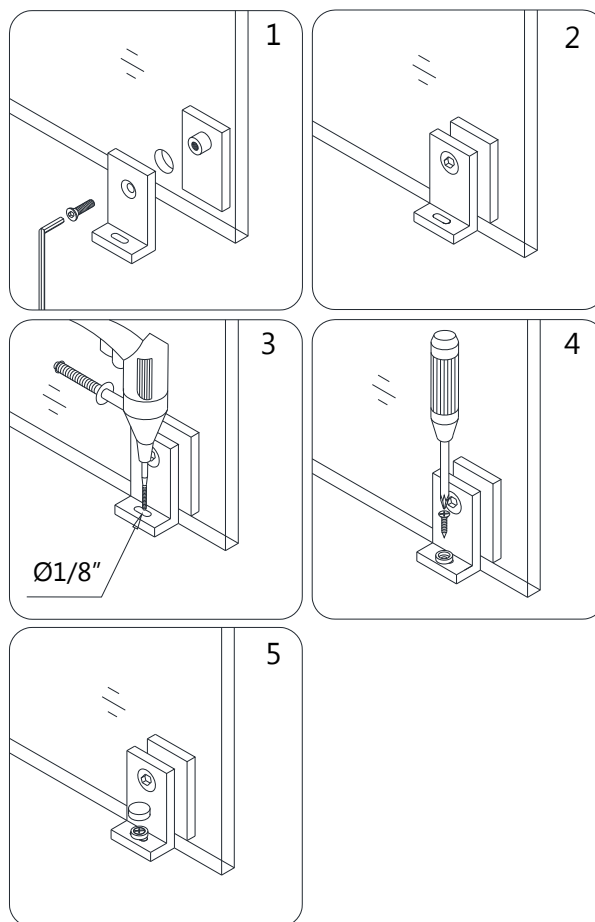


Fig. 17

18. After final adjustments of the **Assembled unit** drill six holes, three on each side, through the first layer of the **Wall profiles** and the **Glass profiles** using $\text{Ø } 1/8''$ drill bit.

Secure the **Wall profile (06)** and the **Glass profile (05)** with **Flat head screws ST4.2×10 (16)**.

Cover the screw locations with **Decorative cover (20)**.

See fig. 18 for details

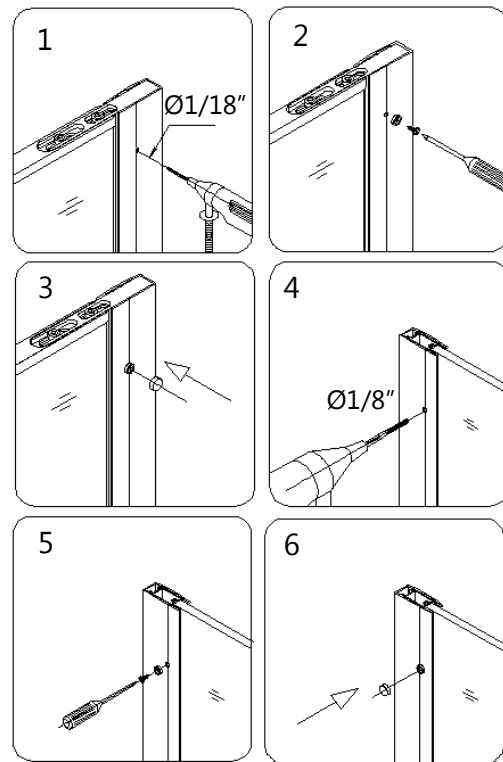


Fig. 18

19. Mount the **Handle (07)** to the **Glass door (05)**.

Press the **Bottom anti-water strip (21)** on the bottom edge of the **Glass door**. (You can cut the strip to size by using a knife).

See Fig. 19 for details

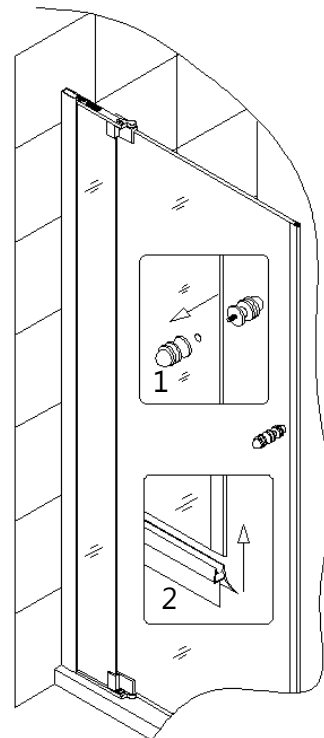


Fig. 19

Glass shelves installation

20. Mark the **Glass shelf (34)** position on the wall. According to the measurements in Fig. 19.1, mark the drilling holes on the wall for the **Shelf brackets (26)**. Drill the holes using $\text{Ø } 5/16''$ drill bit and insert the **Wall anchors (28)**.

Attach the **Shelf brackets (26)** to the wall using the **Flat head screw ST4.2×25 (29)** and attach the **Shelf brackets (27)** to the **Stationary glass (25)**.

Insert the **Glass shelves** into the **Shelf brackets** and fasten the screws at the bottom of the brackets.

See Fig. 20 and Fig. 21 for details.

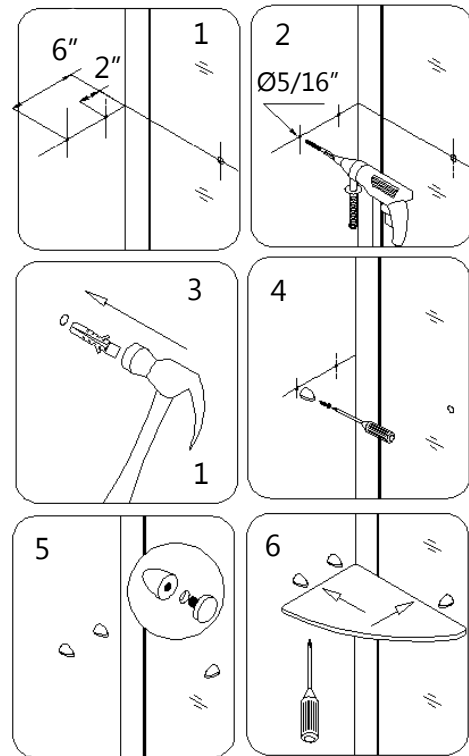


Fig. 20

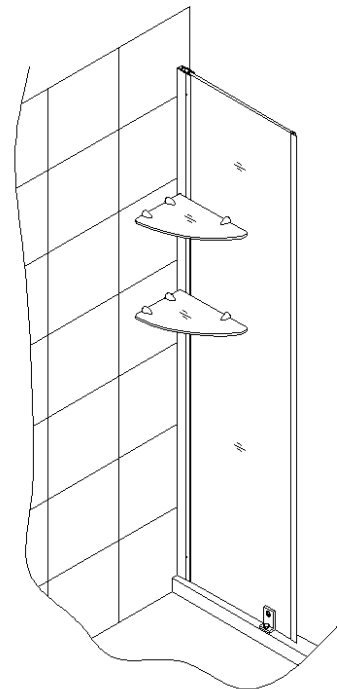


Fig. 21

21. Apply silicone sealant between the tray or threshold, the stationary glass and the accessory.
Also, apply silicone between the wall and the wall profiles.

See Fig. 22 for details.

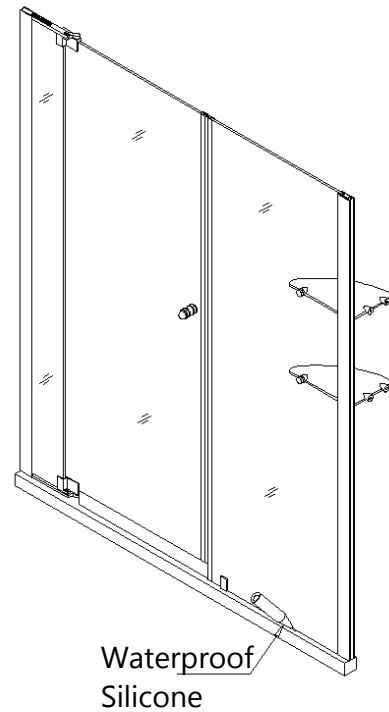


Fig. 22

NOTE: If you need another direction for the door opening, you need only to exchange the position of the pivot assembly (12).

See Fig. 22 & Fig. 23

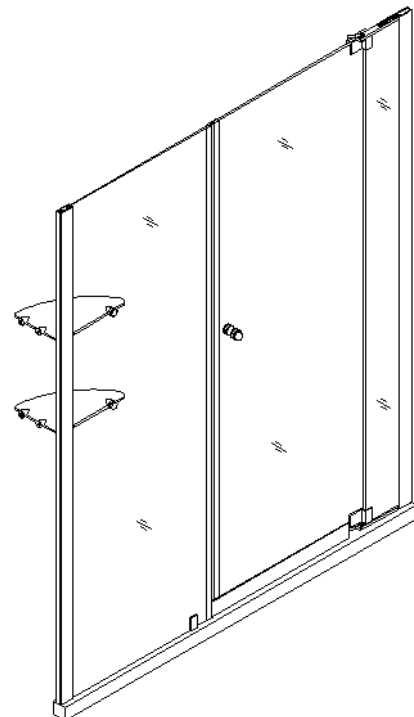


Fig. 23

Maintenance

To insure long lasting life for your acrylic back walls, wipe them off after each use with a soft cloth. To clean the acrylic back walls use non-abrasive sprays or cream based cleaners. Never use abrasive cleansers, metal brushes or scrapers that could scratch or dull the surface.

To insure long lasting life for your glass shower products, wipe them off after each use with a soft cloth. Rinse and wipe of the glass using either soft cloth or squeegee to prevent soap buildup. Never use abrasive cleaners and cleaning products that contain scoring agent because this may scratch the surface. Never use bristle brushes or abrasive sponges.

To assure a long lasting finish wipe off the metal parts after each use with a soft cloth. Do not use abrasive cleaners or cleaning products containing ammonia, bleach or acid. If accidentally used, rinse the surface as soon as possible to prevent finish peeling or corrosion. After cleaning the shiny finishes, rinse thoroughly and wipe dry with soft cloth. Clean stainless steel surfaces at least once a week. When applying stainless steel cleaner or polish, work with (not across) the grain. Never use abrasive sponge or cloth, steel wool or wired brushes.

DREAMLINE™ EXCLUSIVE LIMITED WARRANTY AS OF MAY 6, 2013

This warranty extends only to the original owner/end-user for household use only and is not transferable to a subsequent owner. This warranty extends for a designated period of time, so long as it remains in use in its original place of installation. This warranty applies only to DreamLine products purchased from an authorized dealer in United States or Canada. Proof of purchase (original sales receipt) from the original consumer purchase must be provided with all warranty claims.

IN NO EVENT SHALL THE LIABILITY OF DREAMLINE EXCEED THE PURCHASE PRICE OF THE UNIT.

DreamLine products must be installed by a fully insured and licensed professional. Installation of DreamLine product by anyone other than fully insured licensed professionals shall **VOID THE WARRANTY**. DreamLine recommends that such licensed professionals have experience in the installation of bathroom products. Installation of certain products, including, without limitation, glass products (i.e., shower and tub doors) by an inexperienced installer may result in glass breakage and, consequently, cause personal injury or death.

PARTS ONLY WARRANTY

This warranty is extensive in that it covers replacement of all defects. LABOR CHARGES AND/OR DAMAGE INCURRED IN INSTALLATION, REPAIR, OR REPLACEMENT, AS WELL AS ANY OTHER KIND OF LOSS OR DAMAGE ARE EXCLUDED

COMMERCIAL USE AND OTHER EXCLUSIONS

This warranty excludes all industrial, commercial and business usage, whose purchasers are hereby extended a one (1) year limited warranty from the date of purchase for shower and tub doors, a three (3) month limited warranty from the date of purchase for vanities and sinks, with all other terms of this warranty applying except the duration of the warranty.

DREAMLINE JETTED AND STEAM SHOWER CABINS, DREAMLINE SHOWER COLUMNS AND DREAMLINE SHOWER SEATS ARE NOT INTENDED FOR COMMERCIAL USE AND THERE IS NO WARRANTY EXTENDED FOR THESE PRODUCTS FOR COMMERCIAL USE.

DreamLine hereby disclaims all warranties for products sold as dealer or store displays. DreamLine hereby disclaims all warranties for products used outside of the United States or Canada whether expressed or implied, including but not limited to the implied warranties of merchantability and fitness for a particular purpose.

WARRANTY TERMS

DreamLine will, at its election, repair or replace the product found by DreamLine in its sole judgment, to be defective within the warranty period under normal residential use and maintenance. The replacement of a product is limited to supplying a replacement product or part (same as existing or if not available, comparable product). DreamLine warranty obligation shall be discharged upon tender of parts, replacement or repair of the product. Purchaser's refusal to accept the tender terminates all warranty obligations and **VOIDS THE WARRANTY**. Cost of freight for returning products to DreamLine for repairs or replacement under this limited warranty are the responsibility of the customer. Cost of freight associated with shipping of replacement product or parts to the customer may be charged to customer. Any product replaced or repaired during the warranty period will be covered only for the remaining period of the original warranty. In no event will DreamLine be liable for costs of repair or replacement of any installation material, including but not limited to tiles, marble, etc.

DREAMLINE IS NOT RESPONSIBLE FOR INSTALLATION, REMOVAL OR REINSTALLATION COSTS OF ANY PRODUCT REQUIRING WARRANTY SERVICES.

Any modification or alteration of any DreamLine products will void the warranty. DreamLine product installations and repairs must be performed by either a DreamLine authorized agent or a licensed, insured and experienced professional contractor - installation or repairs performed by any other party shall void the warranty. This warranty shall not apply to breakage or damages caused by normal wear and tear, fault, carelessness, abuse, misuse, misapplication, improper maintenance, alteration or modification of the unit, as well as chemical or natural corrosion, accident, fire, flood, act of God or any other casualty. Improper care and cleaning will void the warranty. Use of cleaners containing abrasive cleansers, ammonia, bleach, acids, waxes, alcohol, solvents or other products not recommended for chrome or similar finish, glass or acrylic will void the warranty. For additional product maintenance instructions please refer to product installation manual. DreamLine is not responsible for any issues arising in connection with errors or omissions in information provided on DreamLine's websites. The warranty does not extend to any non-DreamLine plumbing or components installed by installers, end users or by any party other than DreamLine.

THE FOREGOING WARRANTIES ARE IN LIEU OF ALL OTHER WARRANTIES, EXPRESSED OR IMPLIED, INCLUDING BUT NOT LIMITED TO THE IMPLIED WARRANTIES OF MERCHANTABILITY AND FITNESS FOR A PARTICULAR PURPOSE. BATH AUTHORITY LLC ("DREAMLINE") AND/OR SELLER DISCLAIMS ALL LIABILITY FOR SPECIAL, INCIDENTAL OR CONSEQUENTIAL DAMAGES. DREAMLINE IS NOT LIABLE FOR PERSONAL INJURIES OR DEATH TO ANY PERSON OR FOR ANY DIRECT, SPECIAL, INCIDENTAL OR CONSEQUENTIAL DAMAGE, LOSS OF USE, LOSS OF TIME, LOSS OF PROFITS, INCONVENIENCE, INCIDENTAL EXPENSES, LABOR OR MATERIAL CHARGES, OR ANY OTHER COSTS RESULTING FROM THE USE OF ITS PRODUCTS OR PERTAINING TO THE APPLICATION OF THE PRESENT WARRANTY, OR RESULTING FROM THE REMOVAL OR REPLACEMENT OF ANY PRODUCT OR ELEMENT OR PART COVERED BY THIS WARRANTY.

PRODUCT WARRANTY PERIODS

DreamLine is not responsible for product code compliance or for verifying building code restrictions on installation or use and any such compliance is excluded from this warranty. DreamLine reserves the right to modify this warranty at any time - such warranty modifications will not alter the warranty applicable at the time of sale of the products in question. The warranty terms for specific products for consumer (non-industrial, non-commercial, non-business use only) are:

SHOWER BACKWALL, SHOWER CABINS (JETTED & STEAM)

DreamLine warrants shower backwalls and shower cabins to be free from defects in workmanship for a period of one (1) year from initial date of purchase by the owner/end-user, contractor or builder from an authorized dealer.

SHOWER & TUB DOORS, SHOWER ENCLOSURES

DreamLine warrants shower doors, tub doors and shower enclosures to be free from defects in workmanship and materials under normal residential use for a period of five (5) years from the initial date of purchase by the owner/end-user, contractor or builder from an authorized dealer. Warranty for plastic strips shall be limited to one (1) year. Warranty for any part in Oil Rubbed Bronze finish shall be limited to one (1) year.

SHOWER BASES

DreamLine warrants shower bases to be free from defects in workmanship and materials under normal residential use for as long as the original consumer purchaser owns their home in which their product is installed.

SHOWER COLUMNS

DreamLine warrants shower columns to be free from defects in workmanship and materials under normal residential use for a period of one (1) year from the initial date of purchase by the owner/end-user, contractor or builder from an authorized dealer.

SHOWER SEATS

DreamLine warrants shower seats to be free from defects in workmanship and materials under normal residential use for a period of one (1) year from the initial date of purchase by the owner/end-user, contractor or builder from an authorized dealer. Warranty shall be VOID if the shower seat is not professionally installed on a properly reinforced wall.

VANITIES AND VESSEL SINKS

DreamLine warrants bathroom vanities and vessel sinks to be free from defects in workmanship and materials under normal residential use for a period of one (1) year from the initial date of purchase by the owner/end-user, contractor or builder from an authorized dealer.

STATE LAWS AND THIS WARRANTY

Some states/provinces do not allow limitations on how long an implied warranty lasts, or the exclusion or limitation of special, incidental or consequential damages, so these limitations and exclusions may not apply to you. This warranty gives you specific legal rights. You may also have other rights, which vary from state/province to state/province.

WARRANTY SERVICE

The following information will be required for you to file a Warranty claim:

1. Your name, address and telephone number
2. Product model number
3. Brief description of problem (please note that additional information such as photos may be required to fully process your warranty claim)
4. Proof of purchase

You may submit this information by e-mail, mail or fax to:

DreamLine
Warranty Service Center
75 Hawk Road
Warminster, PA 18974
F:1-866-857-3638
T:1-866-731-2244
Warranty@bathauthority.com



TEL: [866-731-2244](tel:866-731-2244)

FAX: [866-227-1533](tel:866-227-1533)

www.BATHAUTHORITY.COM

For more information on [DreamLine™ Shower Doors](http://www.BathAuthority.com) please visit www.BathAuthority.com