

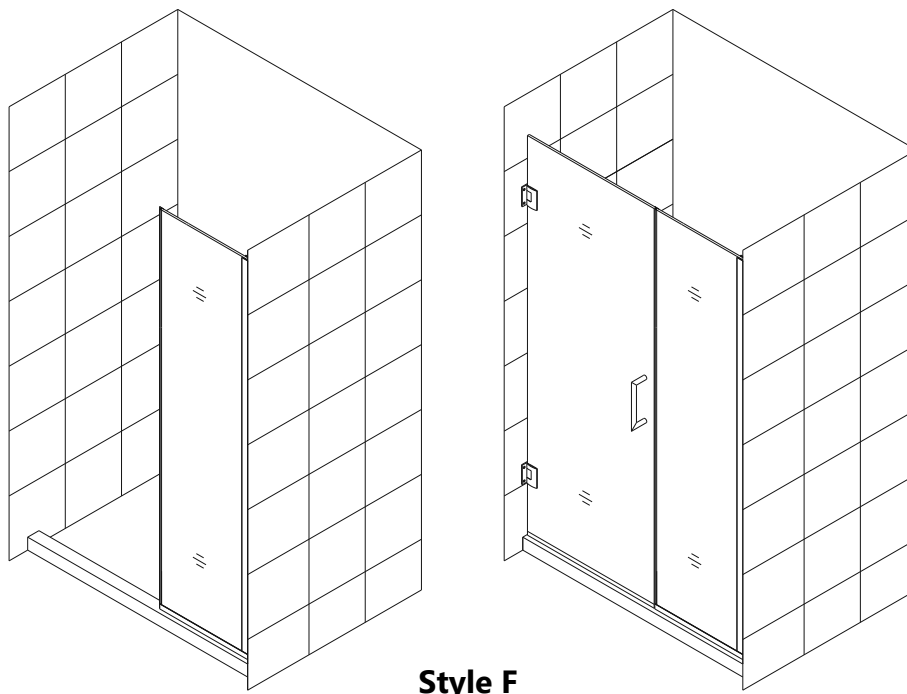


UNIDOOR PLUS (STYLE F)

SHOWER DOOR GLASS PANEL INSTALLATION INSTRUCTIONS

IMPORTANT

DreamLine® reserves the right to alter, modify or redesign products at any time without prior notice. For the latest up-to-date technical drawings, manuals, warranty information or additional details please refer to your model's web page on **DreamLine.com**



Right side panel installation shown

ATTENTION: This model is also available with the Half Frosted Band glass option. Please see specific installation instructions on page 2 when applicable.

Please read these instructions carefully before installing. If you have any questions regarding installation, please contact our technical support specialists Monday through Friday 8AM – 7PM and Saturday 9AM-5PM EST at Phone: **1-866-731-2244**, Fax: **1-866-857-3638** or e-mail our technical support group at Support@DreamLine.com

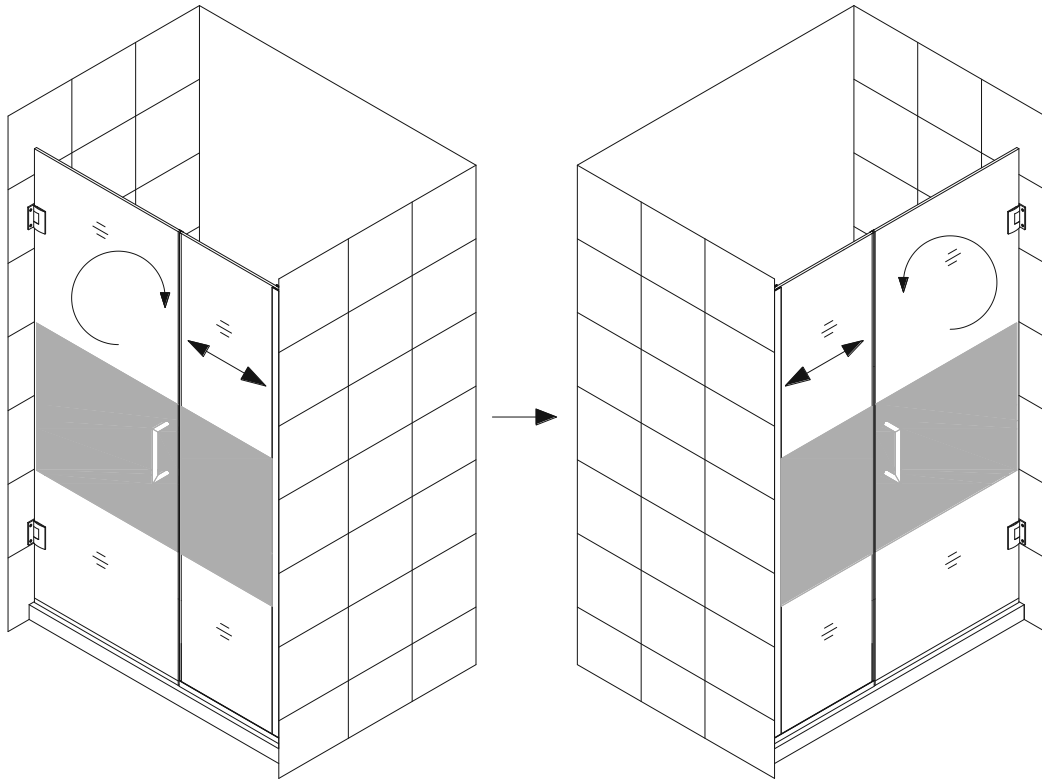
For more information about DreamLine® products please visit DreamLine.com

Style "F":

Half Frosted Band Glass Installation

NOTE: This model features the half frosted glass option. Hinged Left installation shown. To install for hinged Right, flip the door and panel to the proper handing.

NOTE: The textured surface of both the stationary glass and door glass should face outside of the shower.



Hinged Left installation

Hinged Right installation

Model#s:

SHDR-242907210
 SHDR-242957210
 SHDR-243007210
 SHDR-243057210
 SHDR-243107210
 SHDR-243157210
 SHDR-243207210
 SHDR-243257210
 SHDR-243307210
 SHDR-243357210
 SHDR-243407210
 SHDR-243457210
 SHDR-243507210
 SHDR-243557210
 SHDR-243607210
 SHDR-243657210
 SHDR-243707210
 SHDR-243757210
 SHDR-243807210
 SHDR-243857210
 SHDR-243907210
 SHDR-243957210
 SHDR-244007210
 SHDR-244057210
 SHDR-244107210
 SHDR-244157210
 SHDR-244207210
 SHDR-244257210
 SHDR-244307210
 SHDR-244357210
 SHDR-244407210
 SHDR-244457210
 SHDR-242907210-HFR
 SHDR-242957210-HFR
 SHDR-243007210-HFR
 SHDR-243057210-HFR
 SHDR-243107210-HFR
 SHDR-243157210-HFR
 SHDR-243207210-HFR
 SHDR-243257210-HFR
 SHDR-243307210-HFR
 SHDR-243357210-HFR
 SHDR-243407210-HFR
 SHDR-243457210-HFR
 SHDR-243507210-HFR
 SHDR-243557210-HFR

Model#s:

SHDR-244507210
 SHDR-244557210
 SHDR-244607210
 SHDR-244657210
 SHDR-244707210
 SHDR-244757210
 SHDR-244807210
 SHDR-244857210
 SHDR-244907210
 SHDR-244957210
 SHDR-245007210
 SHDR-245057210
 SHDR-245107210
 SHDR-245157210
 SHDR-245207210
 SHDR-245257210
 SHDR-245307210
 SHDR-245357210
 SHDR-245407210
 SHDR-245457210
 SHDR-245507210
 SHDR-245557210
 SHDR-245607210
 SHDR-245657210
 SHDR-245707210
 SHDR-245757210
 SHDR-245807210
 SHDR-245857210
 SHDR-245907210
 SHDR-245957210
 SHDR-246007210
 SHDR-246057210
 SHDR-243707210-HFR
 SHDR-243757210-HFR
 SHDR-243807210-HFR
 SHDR-243857210-HFR
 SHDR-243907210-HFR
 SHDR-243957210-HFR
 SHDR-244007210-HFR
 SHDR-244057210-HFR
 SHDR-244107210-HFR
 SHDR-244157210-HFR
 SHDR-244207210-HFR
 SHDR-244257210-HFR
 SHDR-244307210-HFR
 SHDR-244357210-HFR

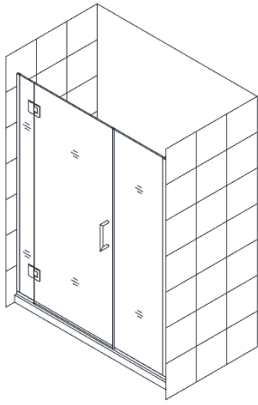
Model#s:

SHDR-244457210-HFR
 SHDR-244557210-HFR
 SHDR-244607210-HFR
 SHDR-244657210-HFR
 SHDR-244707210-HFR
 SHDR-244757210-HFR
 SHDR-244807210-HFR
 SHDR-244857210-HFR
 SHDR-244907210-HFR
 SHDR-244957210-HFR
 SHDR-245007210-HFR
 SHDR-245057210-HFR
 SHDR-245107210-HFR
 SHDR-245157210-HFR
 SHDR-245207210-HFR
 SHDR-245257210-HFR
 SHDR-245307210-HFR
 SHDR-245357210-HFR
 SHDR-245407210-HFR
 SHDR-245457210-HFR
 SHDR-245507210-HFR
 SHDR-245557210-HFR
 SHDR-245607210-HFR
 SHDR-245657210-HFR
 SHDR-245707210-HFR
 SHDR-245757210-HFR
 SHDR-245807210-HFR
 SHDR-245857210-HFR
 SHDR-245907210-HFR
 SHDR-245957210-HFR
 SHDR-246007210-HFR
 SHDR-246057210-HFR

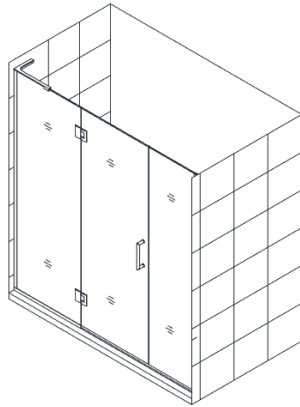
Finishes:

-01 = Chrome
 -04 = Brushed Nickel
 -06 = Oil Rubbed Bronze
 -09 = Satin Black
 HFR = Half Frosted Band

ADDITIONAL MODEL CONFIGURATIONS for UNIDOOR-X GLASS-TO-GLASS HINGE DOORS



Style M1⁶



Style M1²⁴

Model#s:

| | | |
|--------------|------------|------------|
| D12306572-## | D12530572 | D3250672L |
| D1230672 | D1253072 | D3250672R |
| D12314572 | D12606572 | D32514572L |
| D1231472 | D1260672 | D32514572R |
| D12322572 | D12614572 | D3251472L |
| D1232272 | D1261472 | D3251472R |
| D12330572 | D12622572 | D32606572L |
| D1233072 | D1262272 | D32606572R |
| D12406572 | D12630572 | D3260672L |
| D1240672 | D1263072 | D3260672R |
| D12414572 | D12706572 | D32614572L |
| D1241472 | D1270672 | D32614572R |
| D12422572 | D12714572 | D3261472L |
| D1242272 | D1271472 | D3261472R |
| D12430572 | D12722572 | D32622572L |
| D1243072 | D1272272 | D32622572R |
| D12506572 | D12730572 | D3262272L |
| D1250672 | D1273072 | D3262272R |
| D12514572 | D12806572 | D32706572L |
| D1251472 | D1280672 | D32706572R |
| D12522572 | D12814572 | D3270672L |
| D1252272 | D1281472 | D3270672R |
| | D12822572 | D32714572L |
| | D1282272 | D32714572R |
| | D12830572 | D3271472L |
| | D1283072 | D3271472R |
| | D12906572 | D32806572L |
| | D1290672 | D32806572R |
| | D12914572 | D3280672L |
| | D1291472 | D3280672R |
| | D12922572 | D32814572L |
| | D1292272 | D32814572R |
| | D12930572 | D3281472L |
| | D1293072 | D3281472R |
| | D13006572 | D32906572L |
| | D1300672 | D32906572R |
| | D13014572 | D3290672L |
| | D1301472 | D3290672R |
| | D13022572 | D32914572L |
| | D1302272 | D32914572R |
| | D13030572 | D3291472L |
| | D1303072 | D3291472R |
| | D32306572L | D33006572L |
| | D32306572R | D33006572R |
| | D3230672L | D3300672L |
| | D3230672R | D3300672R |
| | D32314572L | D33014572L |
| | D32314572R | D33014572R |
| | D3231472L | D3301472L |
| | D3231472R | D3301472R |
| | D32406572L | |
| | D32406572R | |
| | D3240672L | |
| | D3240672R | |
| | D32414572L | |
| | D32414572R | |
| | D3241472L | |
| | D3241472R | |
| | D32506572L | |
| | D32506572R | |

Finishes:

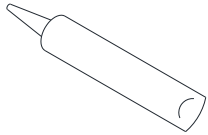
- 01 = Chrome
- 04 = Brushed Nickel
- 06 = Oil Rubbed Bronze
- 09 = Satin Black

Preparation

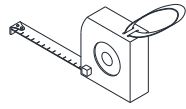
1. Prior to installation, examine all boxes and packages for shipping damage and compare the piece count with your packing slip. After opening all boxes and packages read this introduction carefully. Check that all of the needed parts are included in the package by checking off the components on the "Detailed Diagram of Shower Door Components". If the unit has been damaged, has a finishing defect, or has missing parts, please contact our customer support department within **3 business days** of the delivery date. Please note that **DreamLine® will not replace any damaged products or missing parts free of charge after 3 business days or if the product has been installed.** Feel free to contact DreamLine® if you have any questions, and please provide an order number, job name or other proof of purchase to help us identify your original order.
2. **Please note that you should consult your local building codes with questions on installation compliance standards. Building and plumbing codes may vary by location, and DreamLine® is not responsible for code compliance standards for your project and will not accept any returns.**
3. If this unit is going to be installed in new construction, please install all of the required plumbing and drainage before installing the shower. **Use a competent and licensed (if required by local code) plumber for all plumbing installation.**
4. Prior to the installation, please ensure that the installation surface is level and solid and will be able to support the total weight of the unit. Also make sure that the walls are plumb. Depending on the type of unit you are installing, some adjustments in leveling may be possible. However, irregular installation, surface level or out of square conditions can result in serious problems for your installation. Please note that some adjustments and drilling may be necessary. Please protect all primary surfaces of the product during installation. **Never set your glass down directly onto a tile floor.** Always use a piece of wood or cardboard to protect the bottom edge and corners of the glass.
5. **Note: The installation of this unit requires that you drill down into the threshold.**
6. **This model requires a minimum 5/8" of flat threshold space for installation.**
7. **This model has 1/2" of adjustment within the u-channel on the stationary panel side for out-of-plumb wall conditions and overall width within the model size. Confirm the finished opening conditions before proceeding with the installation.**
8. **Professional installation recommended.**

NOTE: This model is reversible for left or right hand installation. This manual will show the right side panel installation. For a left side panel installation, simply begin on the opposite wall and reverse the orientation of the parts as necessary.

Tools Required



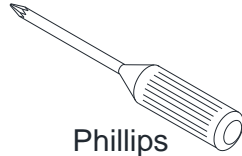
Caulk



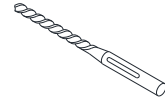
Tape Measure



Pencil



Phillips Screwdriver



Drill bit (Ø=5/16")



Drill bit (Ø=1/8")



Level



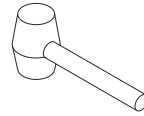
Caulk Gun



Electric Drill



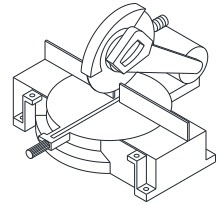
Hammer



Mallet

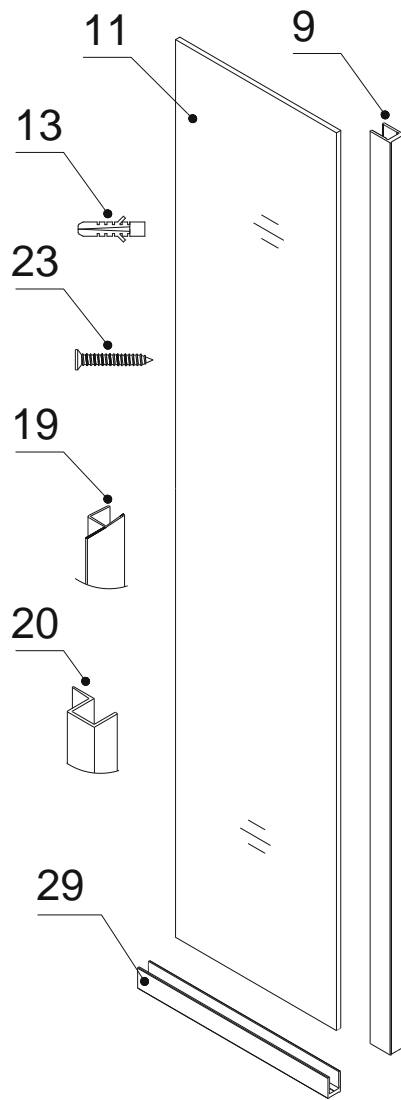


Wood



Miter saw

Detailed Diagram of Glass Panel Components



The glass surface with the **ClearMax™** label must be installed to face inside of the shower

Packing List

| | | | | | |
|----|---------------------------------|-------|----|-----------------------------------|-------|
| 09 | U-channel 1 (76", wall profile) | 1pc | 20 | Anti-Water strip (enclosure) * | 1pc |
| 11 | Stationary glass | 1pc | 23 | Countersunk screw ST4.2x40 | 14pcs |
| 13 | Ø5/16" Wall anchor | 14pcs | 29 | U-channel 2 (44", bottom profile) | 1pc |
| 19 | Anti-Water strip (inline panel) | 1pc | | | |

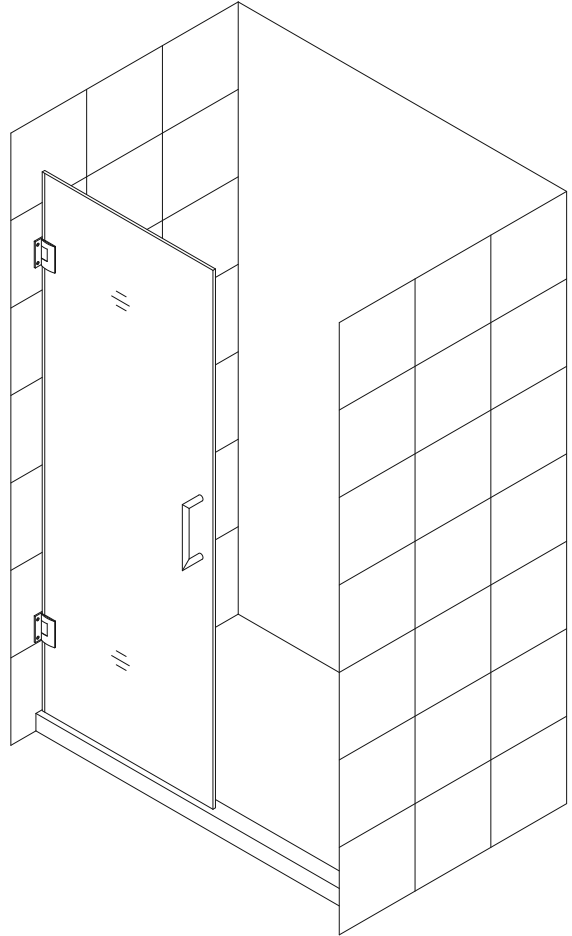
NOTE: Unpack your unit carefully and inspect it. Lay it out and identify all parts using the detailed diagram and packing list in your manual as a reference. Before discarding the carton, check for small hardware bags that may have fallen to the bottom of the box. If any parts are damaged or missing, please contact DreamLine® for replacement. The shipping boxes may contain extra parts not used in your model configuration.

NOTE: Retain these installation instructions for future reference.

*** ATTENTION: The Anti-Water strip (enclosure) (part #20) is used for 30" - 34" stationary return panel installation (STYLE L) only.**

Style "F": 6"-34" In-Line Stationary Panel Installation

NOTE: The Unidoor shower door needs to be installed prior to proceeding with the following Stationary Glass installation instructions. Please see the Single Shower Door installation manual in the door packaging (or the Style M Glass-to-Glass hinge door installation manual included with the hinge panel glass) for complete shower door installation instructions. Before you begin the installation, please recheck your shower opening size. Specific size information can be found on our website at DreamLine.com



NOTE: The Unidoor hinge is factory set to over-close 8°. The following procedure is recommended to ensure proper alignment of the panel glass and door.

1. Align and hold the **Door** so that it is perpendicular to the wall and parallel to the threshold. Measure across the bottom span of the **Door** and threshold on the outside of the shower and determine an equal value. Mark a line on the threshold base on the handle side to assist with aligning the inline panel glass.

See Fig. 1 for details.

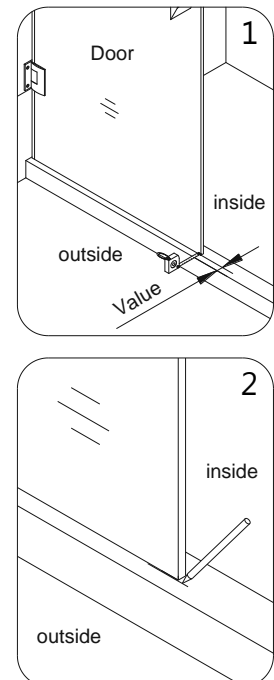


Fig. 1

NOTE: Use parts from “Detailed Diagram of Glass Panel Components” for the Stationary Glass assembly and installation.

2. Measure the actual width of your stationary glass panel.

NOTE: You will be doing straight cuts for this stationary panel installation.

***It may be necessary to remove any burrs from the cut end of the U-channels with a metal file before placing the U-channel onto the glass.**

Use a miter saw to rough cut the **U-channel 2 (44”, bottom profile) (29)** to the actual width of the glass (+) 1”.

See Fig. 2 & 3 for details.

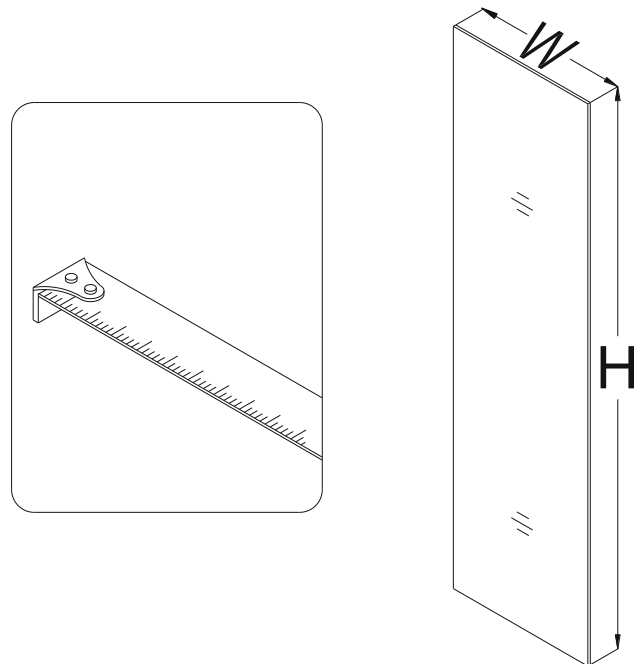


Fig. 2

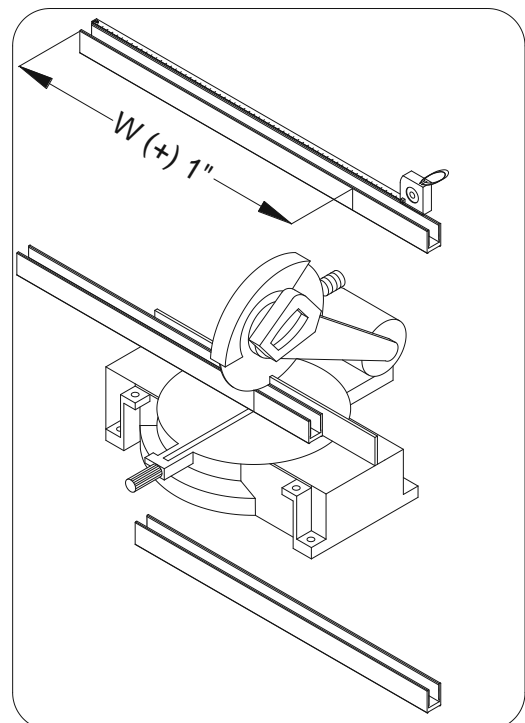


Fig. 3

3. Slip the cut **U-channel 2 (44", bottom profile) (29)** and uncut **U-channel 1 (76", wall profile) (09)** onto the **Stationary glass (11)** in the shown locations. With the door open place the **Stationary glass** on threshold opposite of door. Adjust the **Stationary glass** and **U-channel 1 (wall profile)** against the wall to compensate for any out of plumb conditions ensuring that the **Stationary glass** is level vertically and **U-channel 1** is flush with the wall. Mark the **U-channel 2 (bottom profile)** end opposite of the wall at the exposed vertical glass edge. Remove the **U-channel 2 (bottom profile)**. Leave the **U-channel 1 (wall profile)** on the **Stationary glass**. Set the **Stationary glass** aside. Cut the **U-channel 2 (bottom profile)** at the mark. Slip the **U-channel 2 (bottom profile)** back onto the **Stationary glass**.

See Fig. 4 for details.

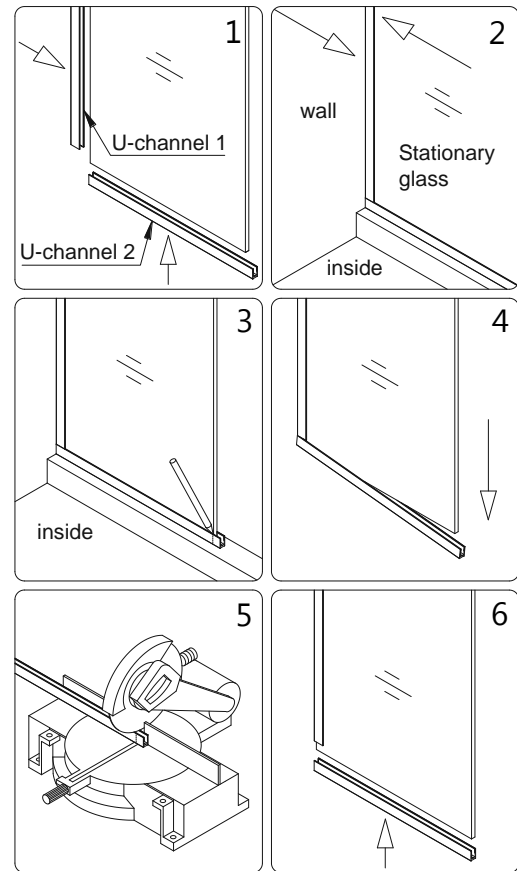


Fig. 4

4. Press the **Anti-Water strip (inline panel) (19)** on the vertical edge of the **Stationary glass (11)**. Align the **Stationary glass** with the threshold **Door** mark and then close the **Door**. If needed adjust the position of the **Stationary glass** so that the **Anti-water strip** makes tight contact to the **Glass Door** from top to bottom.

NOTE: The top of the Stationary glass must be leveled with the Glass door.

Outline the position of the **Stationary glass** along the inside edge of both **U-channels** on the wall and threshold base.

Mark the **U-channel 1 (wall profile)** at the top horizontal glass edge.

See Fig. 5 for details.

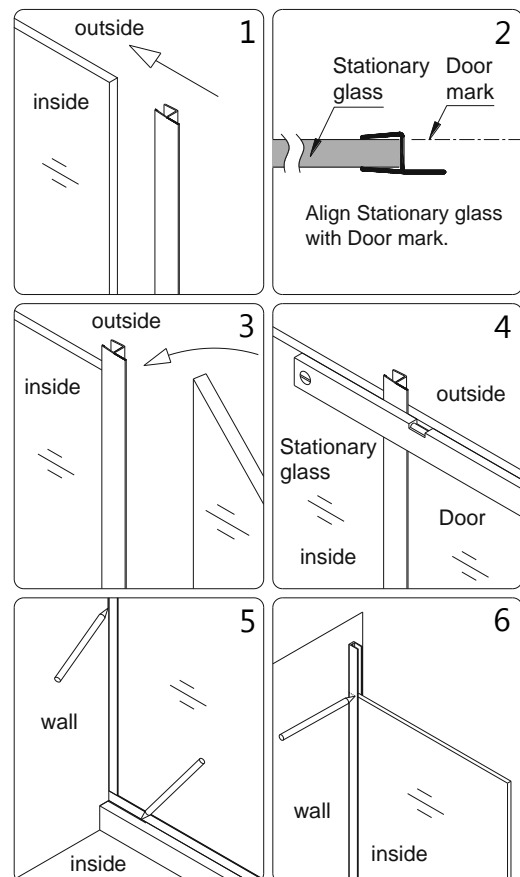


Fig. 5

5. Remove the **U-channel 1 (76", wall profile) (09)**, **U-channel 2 (44", bottom profile) (29)** and **Anti-Water strip (inline panel) (19)** from the **Stationary glass (11)** and set the **Stationary glass** aside.

Place the **U-Channel 2 (bottom profile)** onto the threshold base in line with the inside threshold mark.

Mark the drill holes on the threshold through the predrilled holes in the **U-Channel 2** and drill the holes using **Ø1/8" drill bit**.

Apply waterproof silicone along the bottom surface and around the holes of the **U-Channel 2** and fasten it to the base with the **Countersunk screws ST4.2×40 (23)**.

NOTE: The surface needs to be clean and free of debris before applying silicone.

See Fig. 6 & 7 for details.

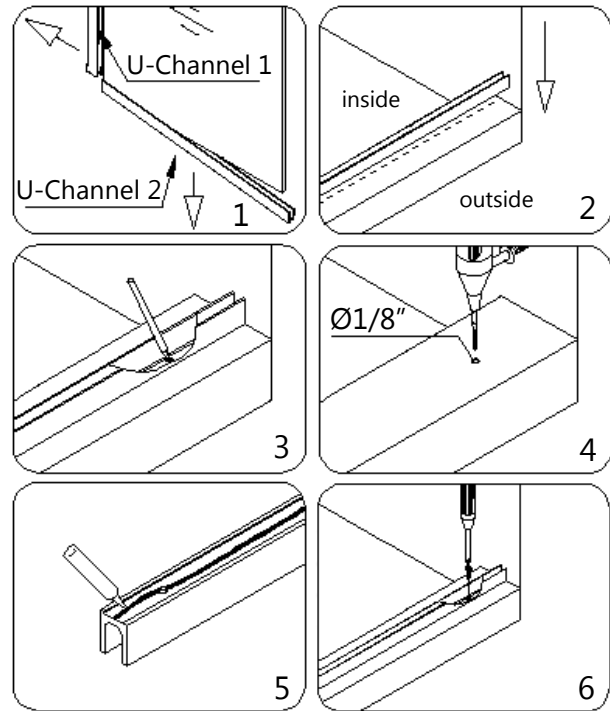


Fig. 6

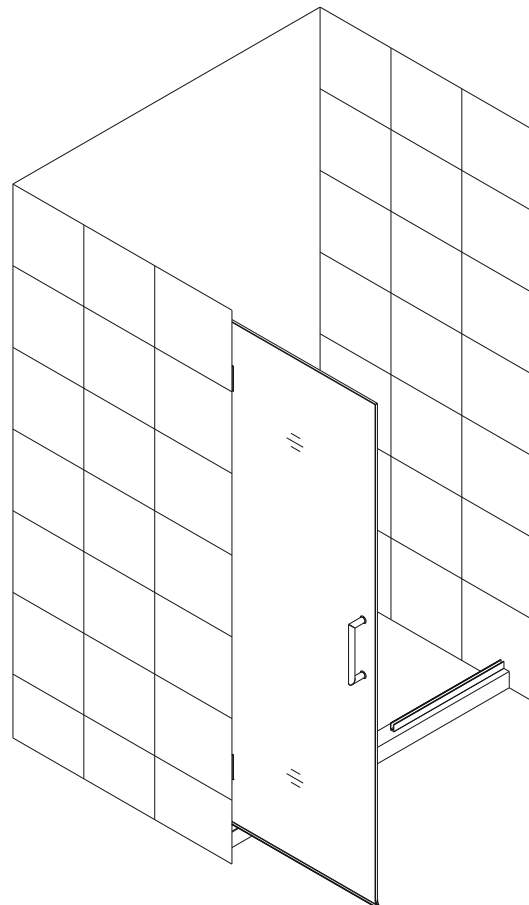


Fig. 7

6. Cut the **U-channel 1 (76", wall profile) (09)** at the top mark that was made in step #4.

Place the **U-Channel 1 (wall profile) (09)** on the **U-Channel 2 (44", bottom profile) (29)** and align vertically with wall mark.

Mark the drill holes on the wall through the predrilled holes in the **U-Channel 1**.

Now drill holes in the wall using **Ø5/16 drill bit** and insert the **Ø5/16" Wall anchors (13)**.

See Fig. 8 for details.

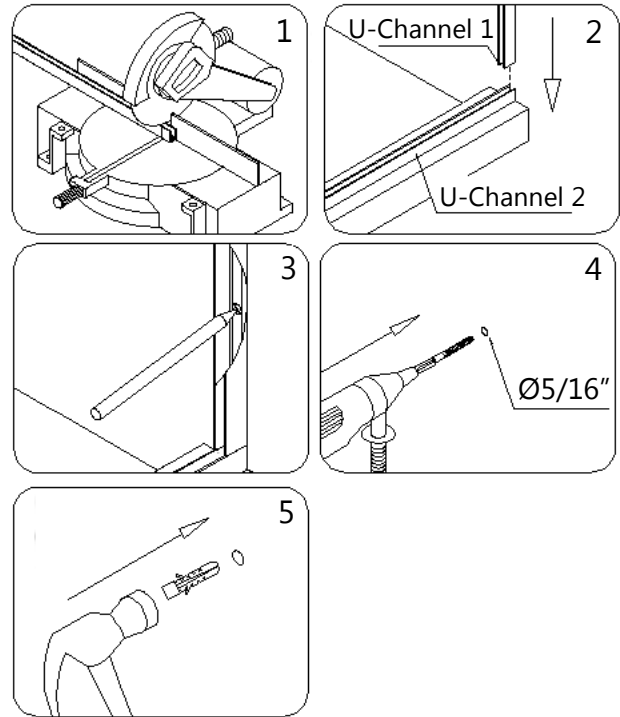


Fig. 8

7. Apply waterproof silicone along the bottom surface and around the holes of the **U-Channel 1 (76", wall profile) (09)**.

Fasten the **U-Channel 1** to the wall with the **Countersunk screw ST4.2x40 (23)**.

Apply Waterproof silicone into the groove of both **U-Channels**.

NOTE: The surface needs to be clean and free of debris before applying silicone

See Fig. 9 & 10 for details

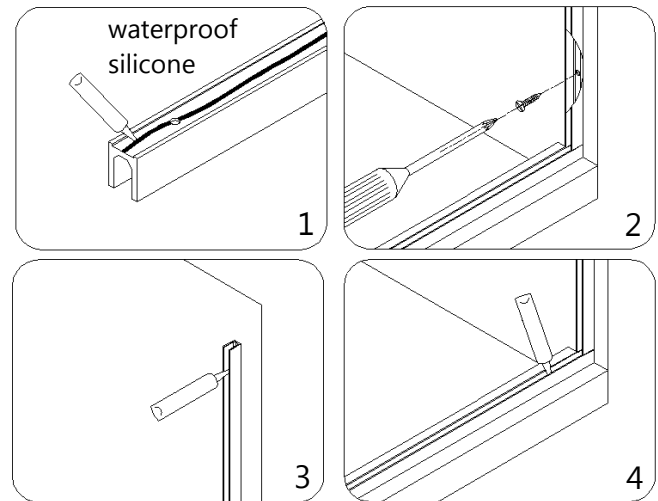


Fig. 9

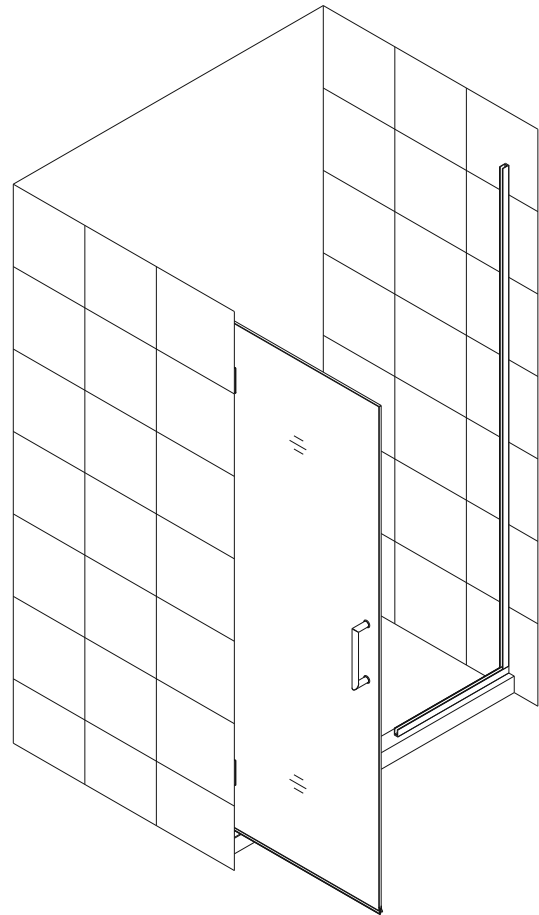


Fig. 10

8. Slide the **Stationary glass (11)** into the groove of both **U-Channels**.

NOTE:

If you have difficulty sliding the **Stationary glass** into the **U-Channels**, you can slightly tap on the **Stationary glass** with a rubber mallet and a piece of wood.

Apply a bead of silicone on both open ends of the **U-Channels**, and its connection.

See fig. 11 for details.

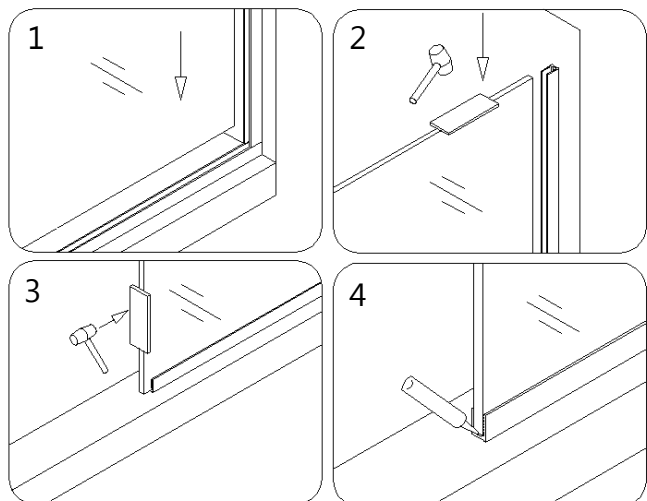


Fig. 11

9. Apply a good quality mildew-resistant waterproof silicone along the connection of both **U-Channels** to the wall and threshold on the inside of shower. Allow 24 hours for the silicone to fully cure before using the shower.

See Fig. 12 for details.

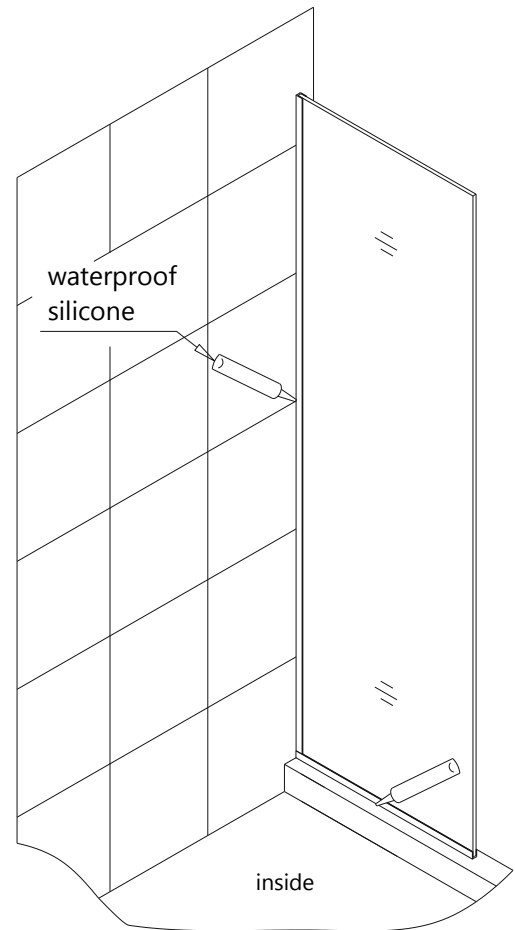


Fig. 12

10. Notch the **Anti-Water strip (inline panel) (19)** 1" at the base to fit around bottom **U-channel**. Press the **Anti-Water strip (Door) (19)** onto the vertical edge of the **Stationary glass (11)**.

See Fig. 13 for details.

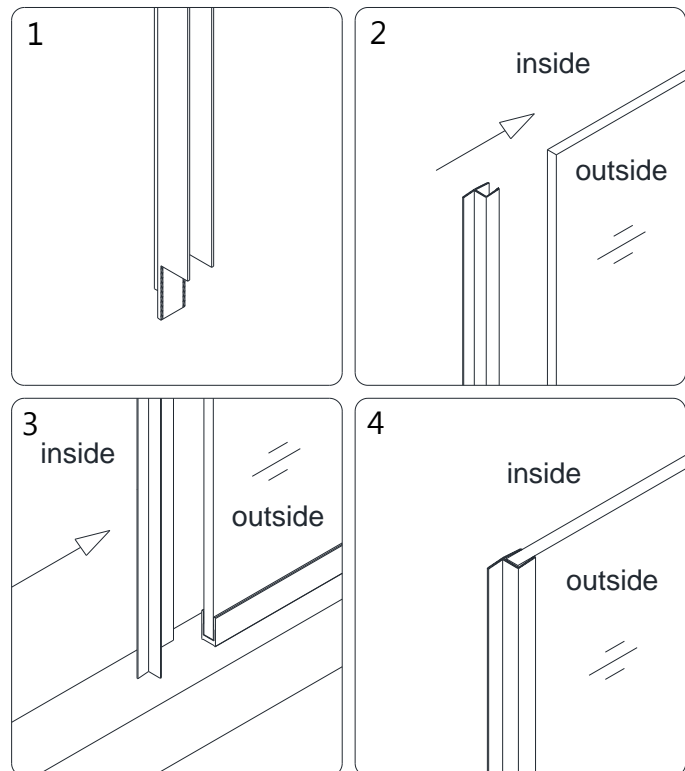


Fig. 13

Product Maintenance

BASES and BACKWALLS: To ensure long lasting life for your acrylic back walls: wipe them off after each use with a soft cloth. To clean the acrylic back walls use non-abrasive sprays or cream based cleaners. Avoid the use of aerosol spray cleaners. Never use abrasive cleansers, metal brushes or scrapers that could scratch or dull the surface.

GLASS: To ensure long lasting life for your glass shower products: wipe them off after each use with a soft cloth. Rinse and wipe off the glass using either a soft cloth or a squeegee to prevent soap buildup and water spots (Hard water can etch the surface of the glass over time if left to dry). To prevent scratching the surface: never use abrasive cleaners or cleaning products that contain scouring agents. Never use bristle brushes or abrasive sponges that may scratch the surface.

HARDWARE: To ensure a long lasting finish: wipe off the metal parts after each use with a soft cloth. Do not use abrasive cleaners or cleaning products containing ammonia, bleach or acid. If accidentally used, rinse the surface as soon as possible to prevent damage to the finish (peeling or corrosion). After cleaning the polished finishes, rinse thoroughly and wipe dry with soft cloth. Clean stainless steel surfaces at least once a week. When applying stainless steel cleaner or polish to stainless steel hardware, work with (not across) the grain. Never use an abrasive sponge or cloth, steel wool or wired brush as these may permanently scratch the surfaces.

NOTE: To maximize the life of your door, it is important to regularly inspect the glass and other hardware for misalignment, proper attachment, and/or damage. Contact DreamLine with any questions or concerns.



TEL: [866-731-2244](tel:866-731-2244)

FAX: [866-857-3638](tel:866-857-3638)

DREAMLINE.COM

For more information on [DreamLine® Shower Doors](#) and [Enclosures](#) please visit DreamLine.com