

28 041 980



Fits: IMO, LULU, MEM, SYMETRICS, CL.1, CYO

- rain shower 300 x 240mm
 - Rain flow, max. flow rate 6,8 l/min
 - Spray flow, max. flow rate 6,8 l/min
 - with anti-scale system
 - This product reduces water consumption by % (compared to requirements of EPAct '92)
 - This product can contribute to Water Use Reduction in LEED® Green Building Rating
- Three-way diverter ensures that the product does not exceed the max. flow rate of 2.5 gpm at any setting. It does not permit the use of two functions simultaneously.**
Three-way diverter trim is sold separately

Three-way diverter ensures that the product does not exceed the max. flow rate of 2.5 gpm at any setting. It does not permit the use of two functions simultaneously.

Three-way diverter trim is sold separately

	Brushed Platinum	28 041 980-06 0010
	Chrome	28 041 980-00 0010
	Platinum	28 041 980-08 0010
	Matte White	28 041 980-10 0010
	Brushed Durabrass (23kt Gold)	28 041 980-28 0010
	Matte Black	28 041 980-33 0010
	Brushed Champagne (22kt Gold)	28 041 980-46 0010
	Champagne (22kt Gold)	28 041 980-47 0010
	Brushed Chrome	28 041 980-93 0010
	Brushed Dark Platinum	28 041 980-99 0010

Required miscellaneous

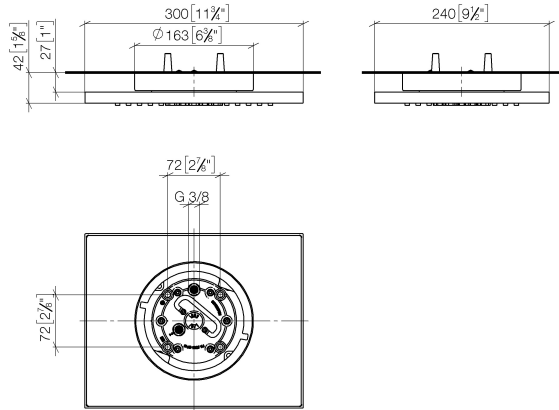


Concealed ceiling installation box for surface-mounted ceiling installation 35 041 970-90 0010

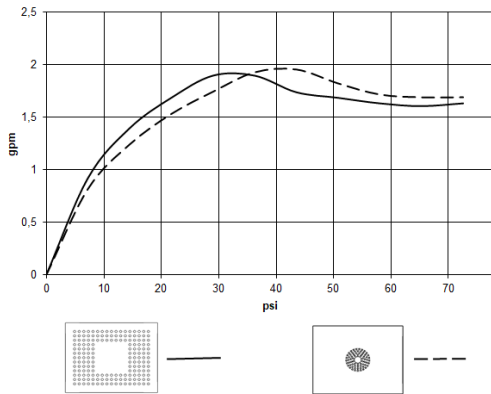
- min. recess depth 90 mm
- max. recess depth 115 mm

28 041 980

mm [inches]



Flow rate chart



Spare parts list

No.	Item Number	Name	Quantity used	Delivery time
1	90 17 20 263 00 90	fixing set	1	2
2	90 24 03 309 02 90	connection	2	2