

Linear Convactor Heater

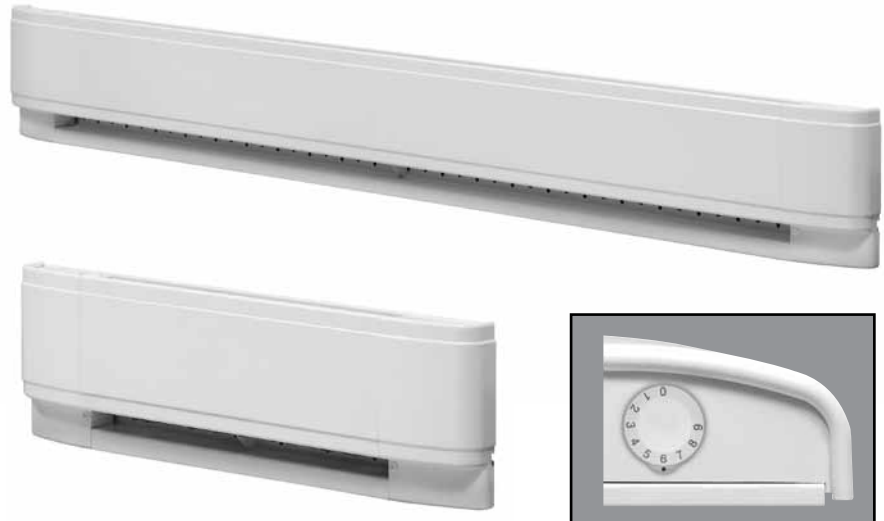
Revolutionary design provides a sleek, compact heater profile, while improving heater performance, reducing energy consumption, and improving comfort.

Features

- Faster heating of the room than a conventional baseboard due to rapid vertical laminar air flow, directing heat to the ceiling, speeding dispersal of warm air into the center of the room
- Improved performance and reduced length through use of top heat discharge and new fin design
- Superior shark-fin blade design on a steel tubular element for improved heat transfer and longer life
- Discreet styling, reduced length and added versatility of placement provide more options when designing a room
- May be used with wall, or top mounted built-in thermostat (not included)
- Full length automatic overheat reset for safety

Applications

- All residential applications, commercial offices, lobbies, washrooms



Top mounted thermostat can be installed on either side of LC (optional)

Specifications

Voltage	120, 208, 240, 347V
Wattage	Sizes ranging from 500W to 2500W
Colour	White or Almond
Finish	Specially-formulated epoxy / polyester powder coating is environmentally friendly, and resists fading and abrasion.
Construction	Robust, 20 gauge steel construction.
Heating Element	A nickel chromium element is totally enclosed within a steel sheath, providing superior life expectancy and resistance to rust. Shark-fin shaped aluminum fins are firmly staked in an upright position to provide directional wicking for top discharge heat transfer.
Installation	Easily removed front caps, knock-outs on both sides of the convactor, and pre-stamped mounting holes make installation easy.
Warranty	Ten year element warranty. One year warranty on complete unit. CSA certified for use in Canada and the U.S.



Ordering Guide

Cat. No.	Watts	Volts	BTU	Length (mm/in.)	Weight (kg/lbs.)
LC2005W11	500	120	1706	508/20	1.7/3.75
LC2005W21	500	208	1706	508/20	1.7/3.75
LC2005W31	500/375	240/208	1706/1280	508/20	1.7/3.75
LC2005W51	500	347	1706	508/20	1.7/3.75
LC2507W11	750	120	2559	635/25	2/4.40
LC2507W21	750	208	2559	635/25	2/4.40
LC2507W31	750/563	240/208	2559/1919	635/25	2/4.40
LC2507W51	750	347	2559	635/25	2/4.40
LC3010W11	1000	120	3412	762/30	2.3/5.00
LC3010W21	1000	208	3412	762/30	2.3/5.00
LC3010W31	1000/750	240/208	3412/2559	762/30	2.3/5.00
LC3010W51	1000	347	3412	762/30	2.3/5.00
LC3512W11	1250	120	4265	889/35	2.9/6.40
LC3512W21	1250	208	4265	889/35	2.9/6.40

Cat. No.	Watts	Volts	BTU	Length (mm/in.)	Weight (kg/lbs.)
LC3512W31	1250/938	240/208	4265/3199	889/35	2.9/6.40
LC3512W51	1250	347	4265	889/35	2.9/6.40
LC4015W11	1500	120	5118	1016/40	3.2/7.50
LC4015W21	1500	208	5118	1016/40	3.2/7.50
LC4015W31	1500/1125	240/208	5118/3839	1016/40	3.2/7.50
LC4015W51	1500	347	5118	1016/40	3.2/7.50
LC5020W21	2000	208	6824	1270/50	3.7/8.20
LC5020W31	2000/1500	240/208	6824/5120	1270/50	3.7/8.20
LC5020W51	2000	347	6824	1270/50	3.7/8.20
LC6025W21	2500	208	8530	1524/60	4.4/9.70
LC6025W31	2500/1875	240/208	8530/6398	1524/60	4.4/9.70
LC6025W51	2500	347	8530	1524/60	4.4/9.70

Note: 1) Standard colour is White.
2) To order Almond omit "W" in Cat. No.

Control Options (field installed)

Thermostat Kits

Cat. No.	Description	Rating
DTK-SP	Single pole built-in thermostat kit (adjustable)	120-240V, 17A 347V, 14A
DTK-DP	Double pole built-in thermostat (adjustable)	120-240V, 17A 347V, 11A
DTKT-SP	Single pole built-in tamperproof thermostat kit	120-240V, 17A 347V, 11A
DTKT-DP	Double pole built-in tamperproof thermostat kit	120-240V, 25A 347V, 11A

Note: Each adjustable kit contains white and almond control knobs and hardware

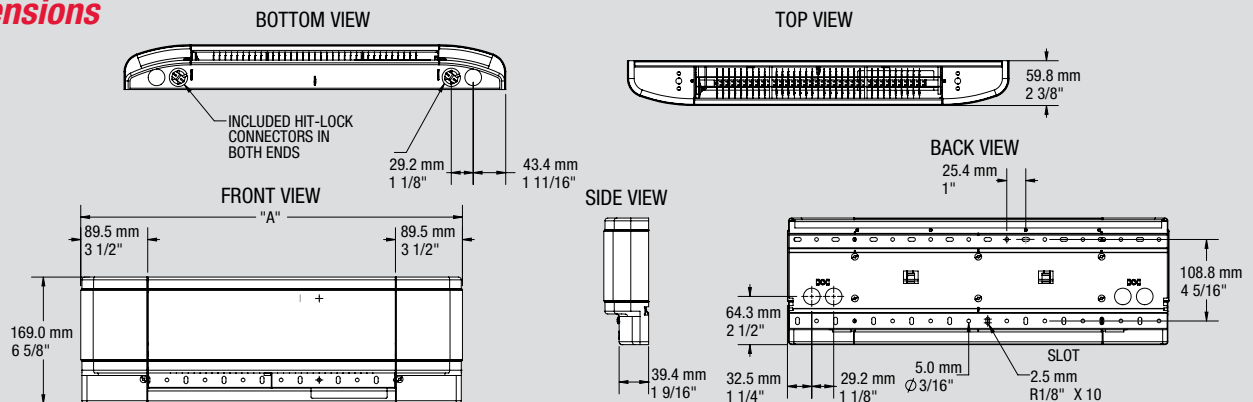
Relays - Mechanical

Cat. No.	Description	Rating
BLLVC11	Low voltage relay & transformer kit	120V, 22A
BLLVC21	Low voltage relay & transformer kit	208V, 22A
BLLVC31	Low voltage relay & transformer kit	240V, 22A
BLLVC51	Low voltage relay & transformer kit	347V, 17A
BLLVD	Low voltage relay less transformer kit	120/208/240, 22A 347V, 17A
BUS2	Disconnect switch, double pole	277V, 25A

Relays - TRIAC

CCT-06-1-S	Without transformer	600V, 6A
CCT-15-1-S	Without transformer	347V, 15A
CCT-15-1-S-T	Comes with transformer	347V, 15A
CCT-15-1-S-T240	Comes with transformer	208/240V, 15A

Dimensions



"A" - see Length in Ordering Guide

NOTE: ALL KNOCK OUTS ARE 7/8" FOR 1/2" CONDUIT