

CAMBRIDGE Dummy Knob

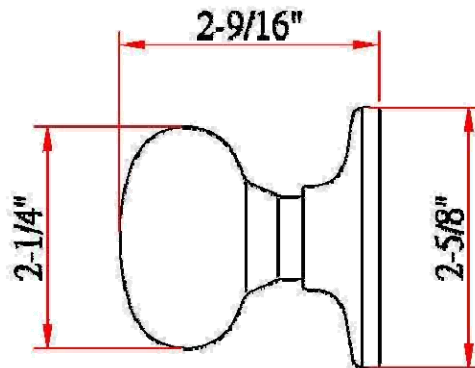


Specifications

Latch Type	—
Door Prep	—
Backset	—
Door Thickness	—
Cylinder	—
Faceplate	—
Strike	—
Latch Bolt	—
Door Handing	Non-handed. Reversible for Left or Right hand doors.
Keyway	—
Keyed Alike	—



Dimensions



Warranty & Compliances

Warranty	Limited Lifetime Mechanical / 5 year Finish
ANSI/BHMA	Meets ANSI Grade 3 specification
ADA	N/A
UL	N/A



Order Codes

Box Pack	2W	
Satin Nickel (US15)	753293	
Polished Brass (US3)	753251	
Oil Rubbed Bronze (US10B)	753434	
Antique Brass (US5)	755157	
Rustic Pewter	701029	

Type:

Job:

Order Code:

Approvals:

Design House reserves the right to make changes in materials, specifications & models at any time. Design House also reserves the right to discontinue product without notice or obligation.