

Keypad Entry Lever

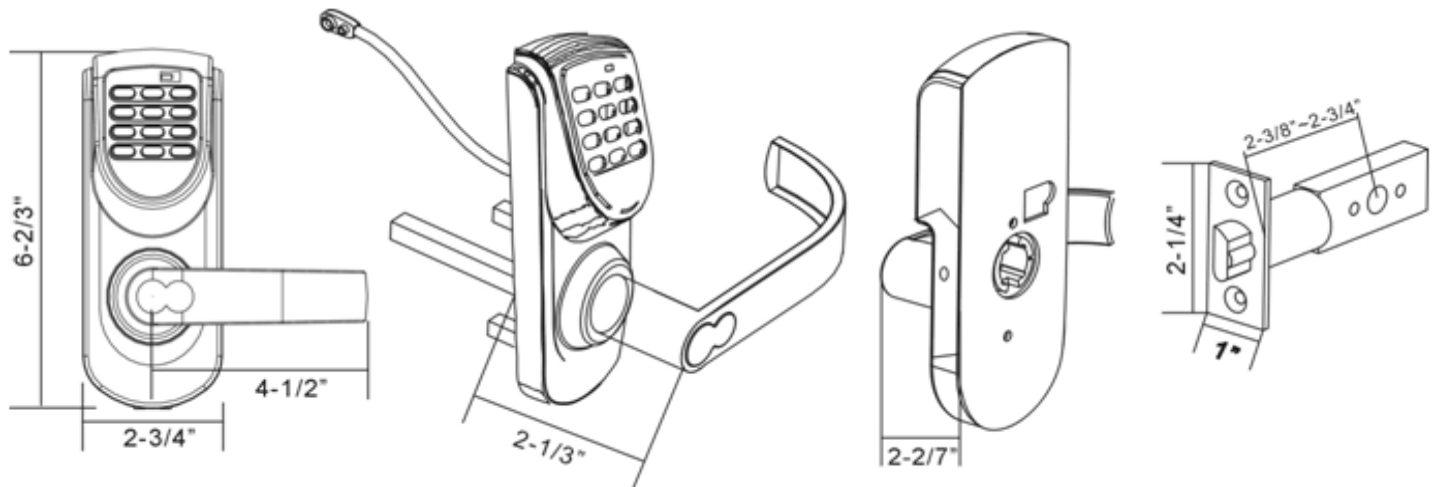


Specifications

| | |
|-----------------------|--|
| Materials | Rubber gasket, Zinc Alloy housing. |
| Latch Type | 2-way |
| Door Prep | Cross bore 2-1/8" dia (54mm). Edge bore 1" dia. (25mm) |
| Backset | Fixed latch 2-3/8" or 2-3/4" (both included) |
| Door Thickness | 1-3/8" to 1-3/4" door standard |
| Cylinder | Mechanical override key (included); KW1 keyway |
| Faceplate | 1" x 2-1/4" square corner. |
| Strike | Square corner |
| Latch Bolt | 1/2" throw |
| Door Handing | Specify Left or Right |
| Keyway | KW1 |
| Passcodes | Up to 300 passcodes |
| Batteries | Uses 4 x AA batteries (Average 1 year life) |
| Keypad | Glow in the dark keypad |



Dimensions



Warranty & Compliances

| | |
|------------------|--|
| Warranty | Limited Lifetime Mechanical / 1 year electronics |
| ANSI/BHMA | Meets ANSI Grade 2 specification |
| ADA | compliant |
| UL | N/A |



Order Codes

| | right lever | left lever | |
|----------------------------------|-------------|------------|--|
| Satin Nickel (US15) | 702944 | 702951 | |
| Oil Rubbed Bronze (US10B) | 702969 | 702977 | |

Type:

Job:

Order Code:

Approvals:

Design House reserves the right to make changes in materials, specifications & models at any time. Design House also reserves the right to discontinue product without notice or obligation.