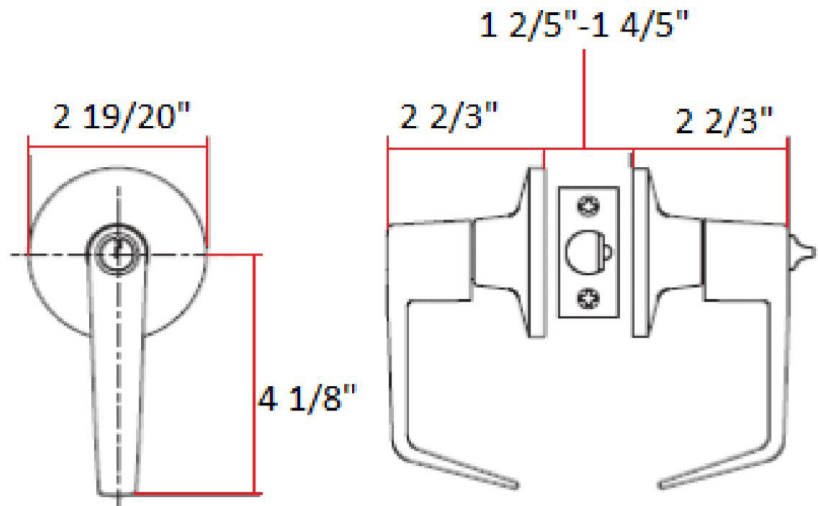
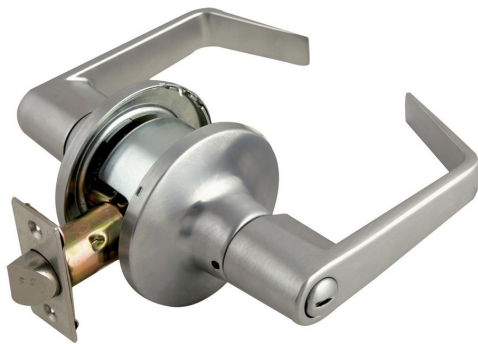


C-Series 2-Way Adjustable Privacy Door Handle Satin Chrome



SPECIFICATIONS

MATERIAL CONSTRUCTION:	Steel/Zinc	KEYWAY:	N/A
LOCK FUNCTION:	Privacy	REMOVABLE CORE:	No
DEADBOLT FUNCTION:	N/A	LATCH FACEPLATE I:	Square Corner
EXTERIOR MAX PROJECTION:	2.85"	LATCH BACKSET:	Adj; 2-3/8" - 2-3/4"
INTERIOR MAX PROJECTION:	2.85"	LATCH TYPE:	2 Way (fixed faceplate)
KOB VS. LEVER:	Lever	LATCHBOLT THROW DISTANCE:	0.5"
KNOB DIMENSIONS:	N/A	# PINS IN CYLINDER:	N/A
LEVER LENGTH:	4.13"	ANTI-BUMP PIN INSTALLED:	N/A
ROSE DIMENSIONS:	1.2" H x 2.95" W x 2.95" D	# KEYS INCLUDED:	N/A
ROSETTE / ESCUTCHEON SHAPE:	Round	SPINDLE TYPE:	Square
CROSS BORE:	N/A	MOUNTING HARDWARE INCLUDED:	Yes
EDGE BORE:	N/A	TOOLS NEEDED FOR INSTALLATION:	Phillips Screwdriver
HANDING:	Reversible	ASSEMBLED WEIGHT:	2.4 lbs.
REKEYABLE?:	No		

WARRANTY:	5-Year limited warranty
ANSI CERTIFICATION:	Grade 2
BHMA GRADE:	No
FIRE RATED:	Yes
ADA COMPLIANT:	Yes



TYPE:
JOB:
ORDER CODE:
APPROVALS: