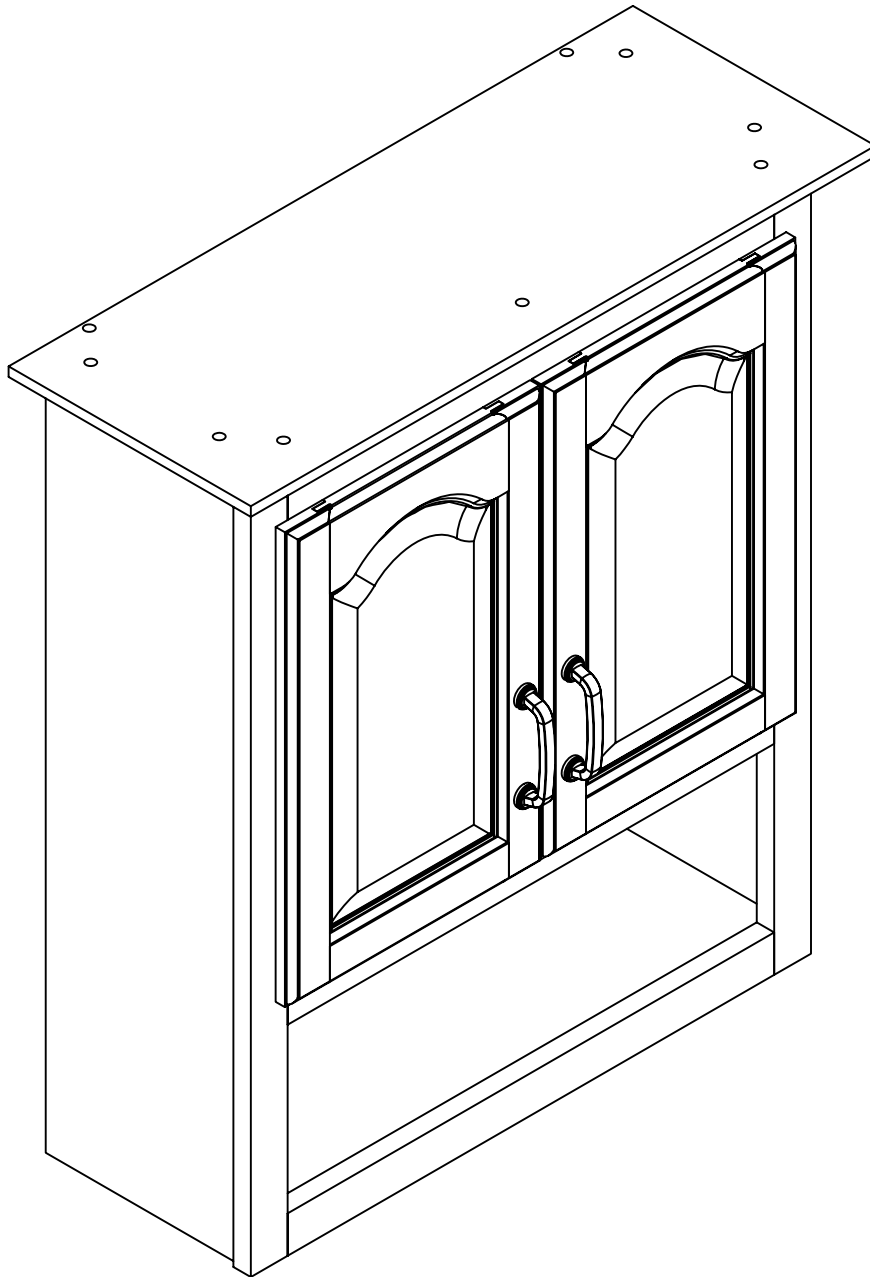




[www.todaysdesignhouse.com](http://www.todaysdesignhouse.com)

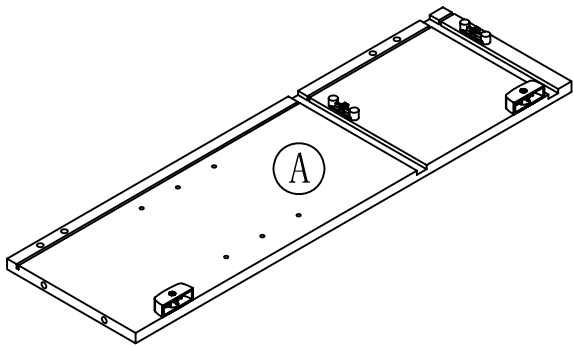


552844

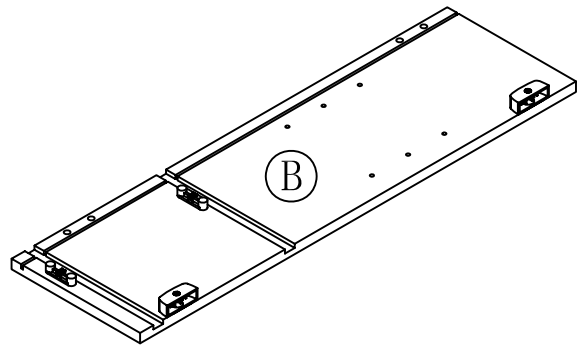
# ASSEMBLY INSTRUCTIONS

DHI Corp. • 5205 W. Donges Bay Rd. • Mequon, WI 53092 • 800.558.8700

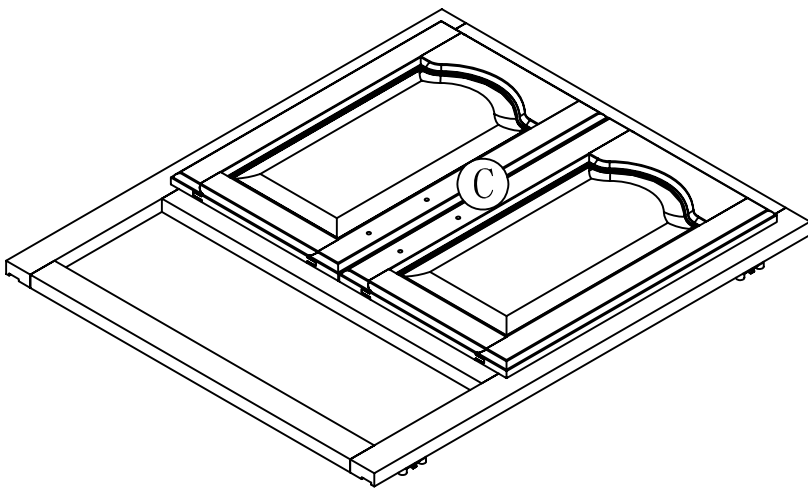
PARTS LIST:



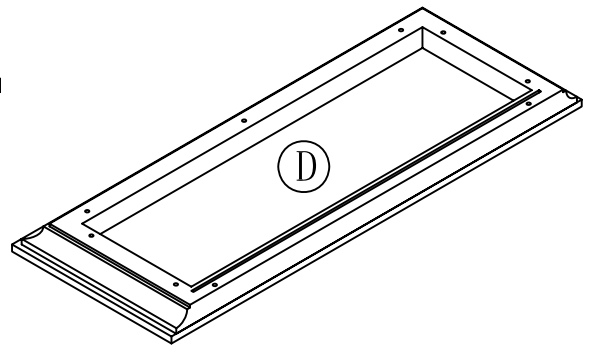
LEFT SIDE PANEL 1PC



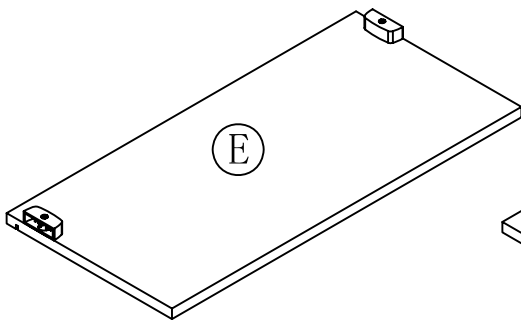
RIGHT SIDE PANEL 1PC



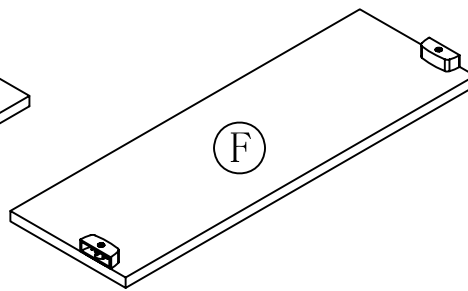
FRONT FRAME 1PC



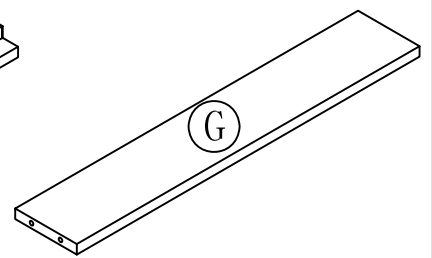
TOP PANEL 1PC



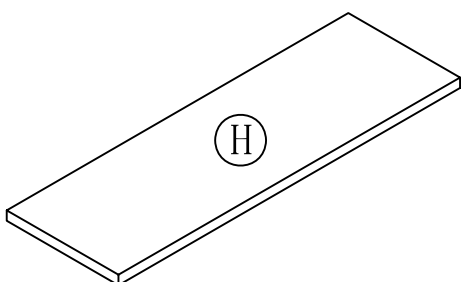
BOTTOM PANEL 1PC



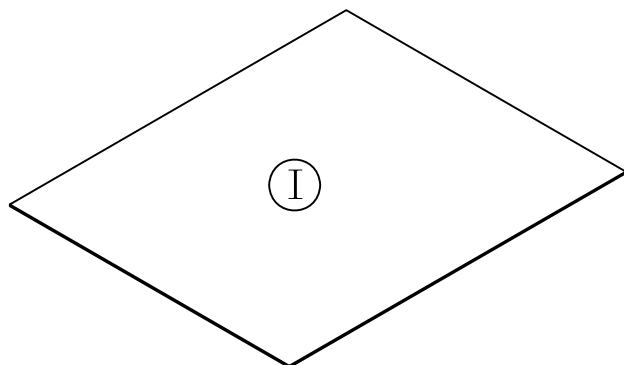
FIXED PANEL 1PC



BACK CROSS BRACE 2PCS



ADJUSTABLE PANEL 1PC



BACK PANEL 1PC

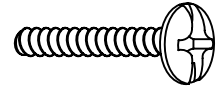
# HARDWARE LIST:



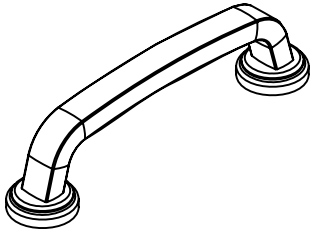
a. WOOD DOWEL 12PCS



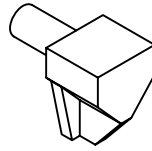
b. 1-1/2" L FLAT HEAD  
SCREW 10PCS



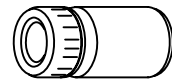
c. HANDLE BOLT 4PCS



d. HANDLE 2PC

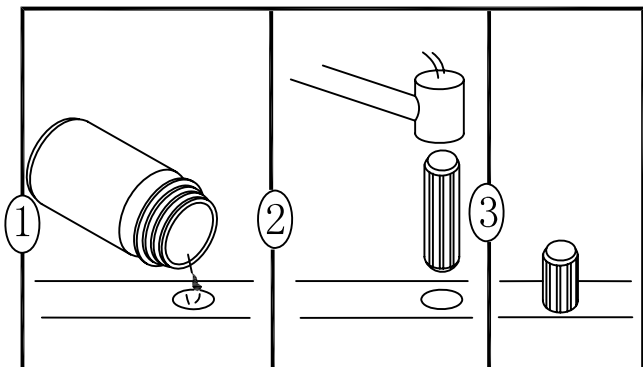
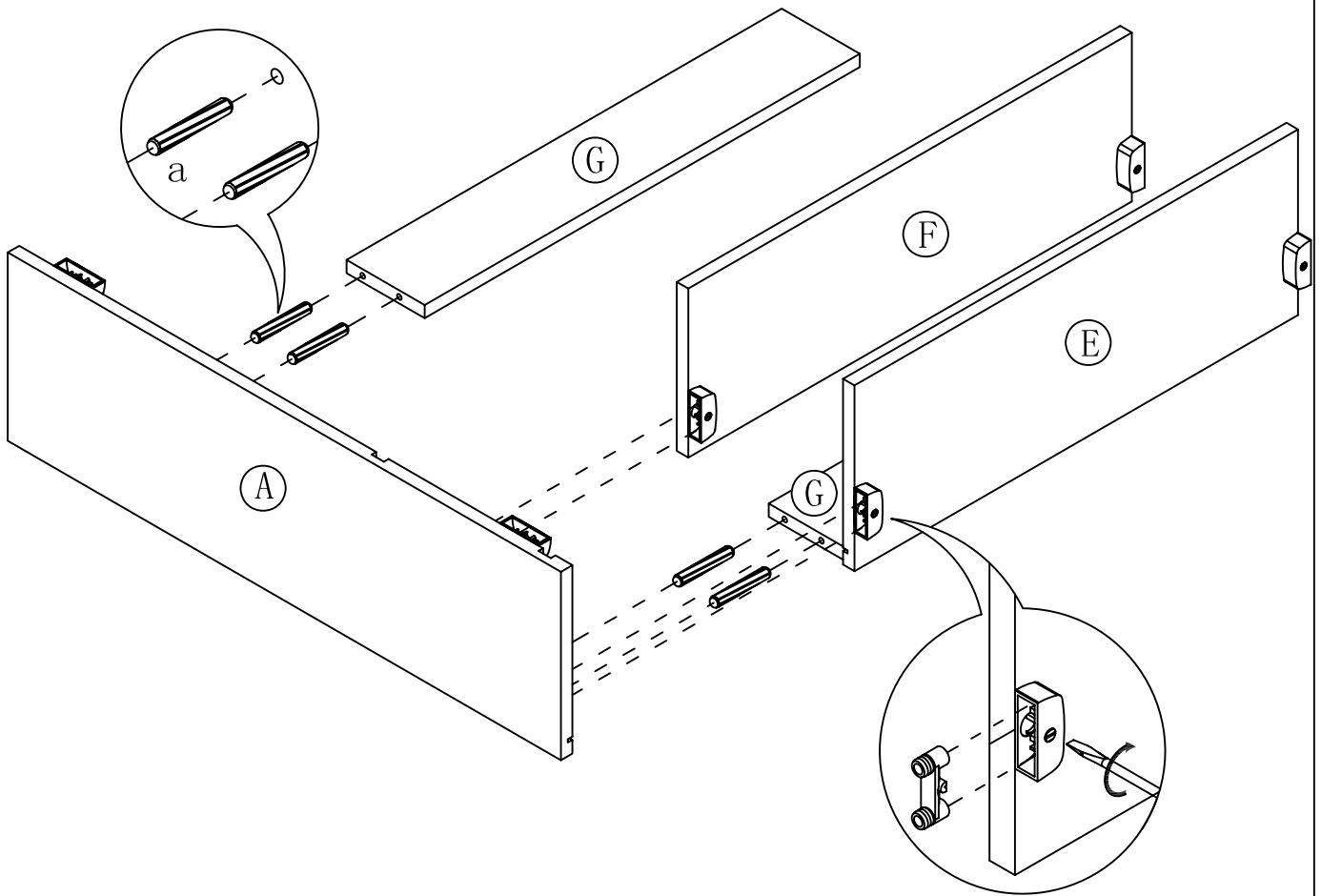


e. PIN 4PCS

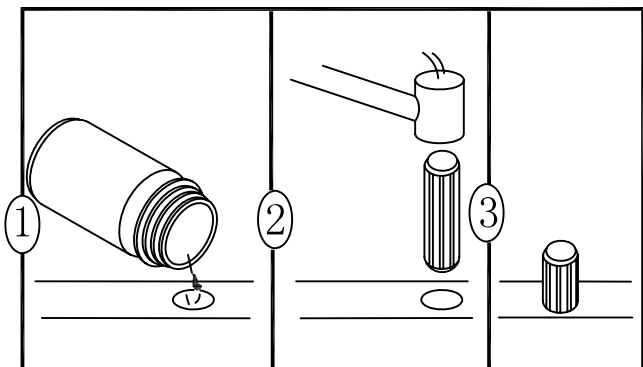
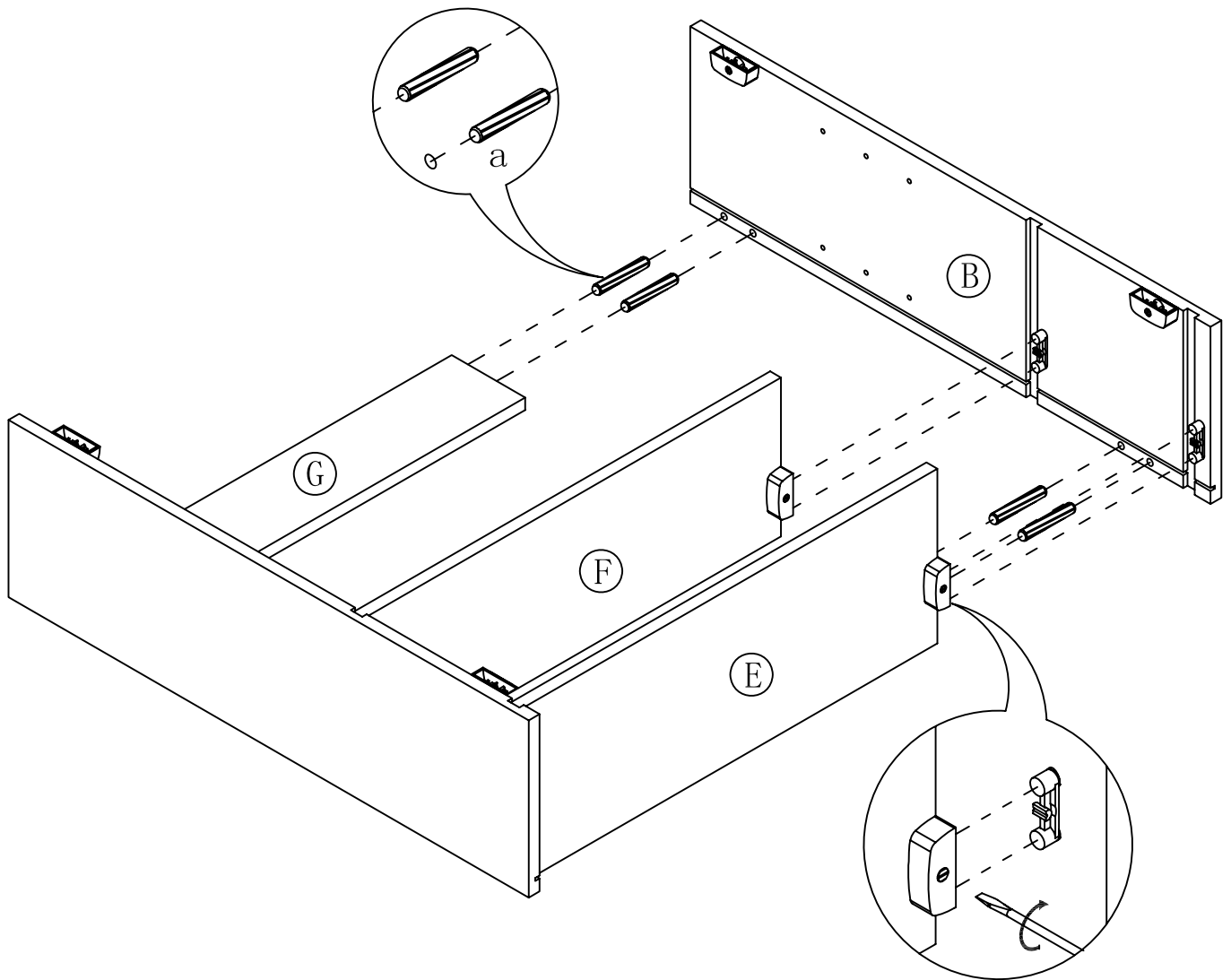


f. GLUE 1PC

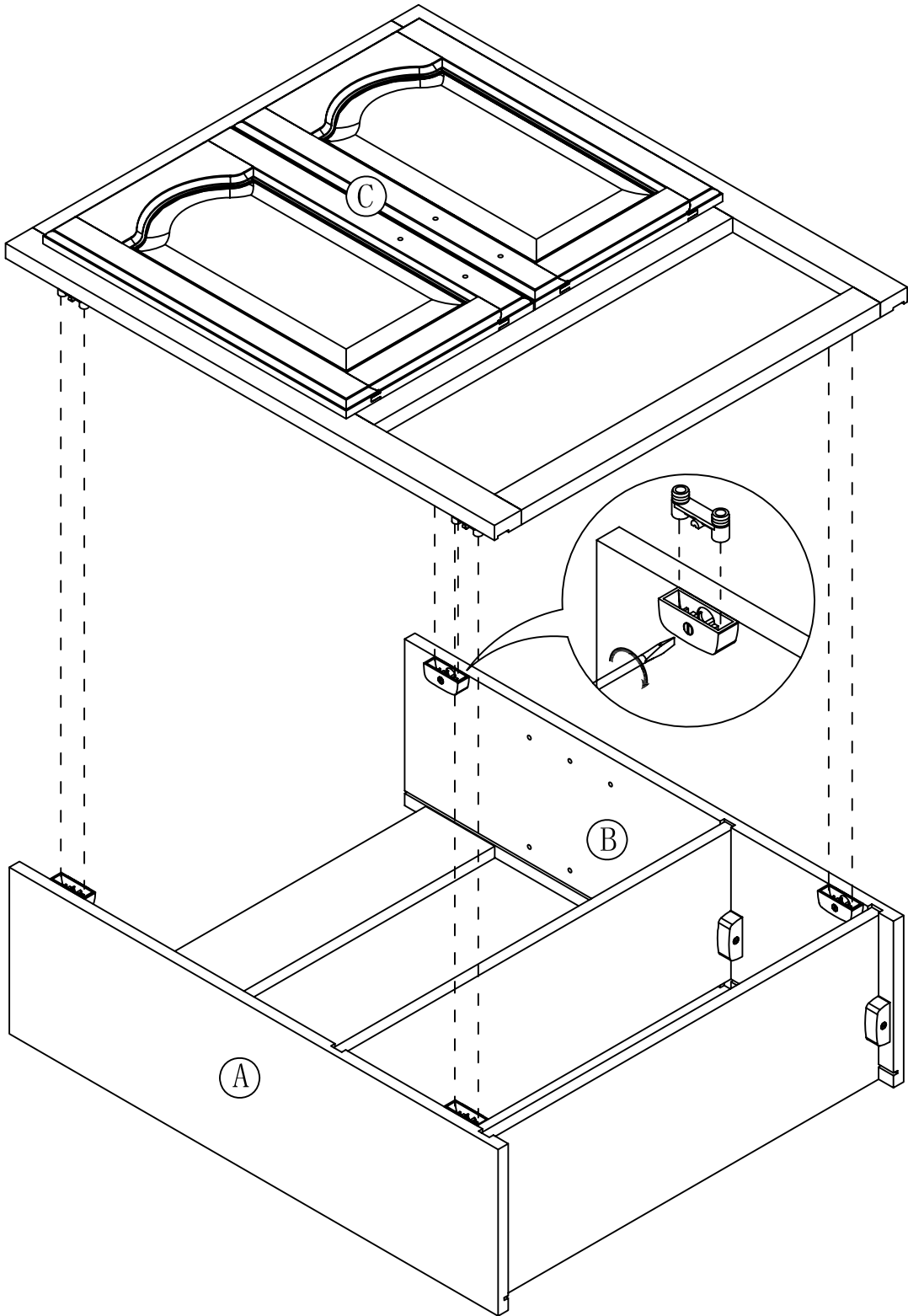
# STEP 1



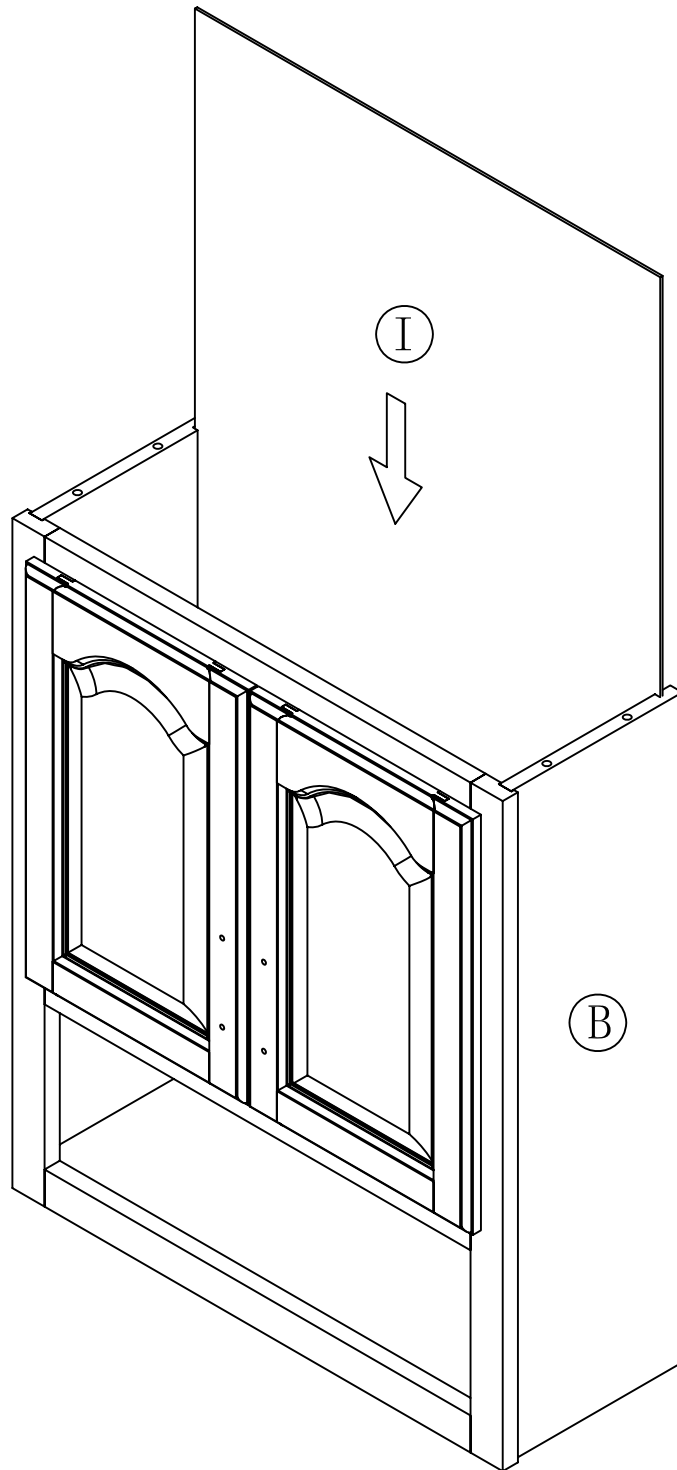
# STEP 2



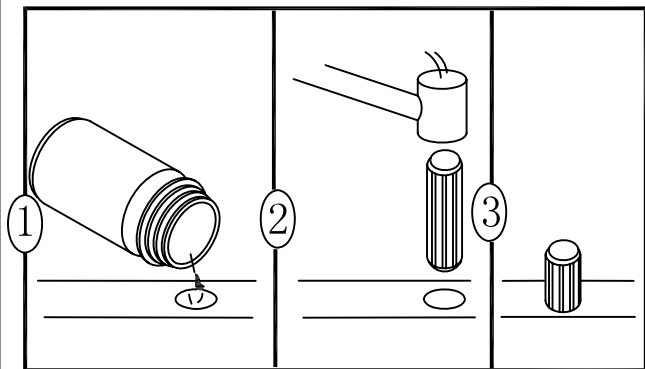
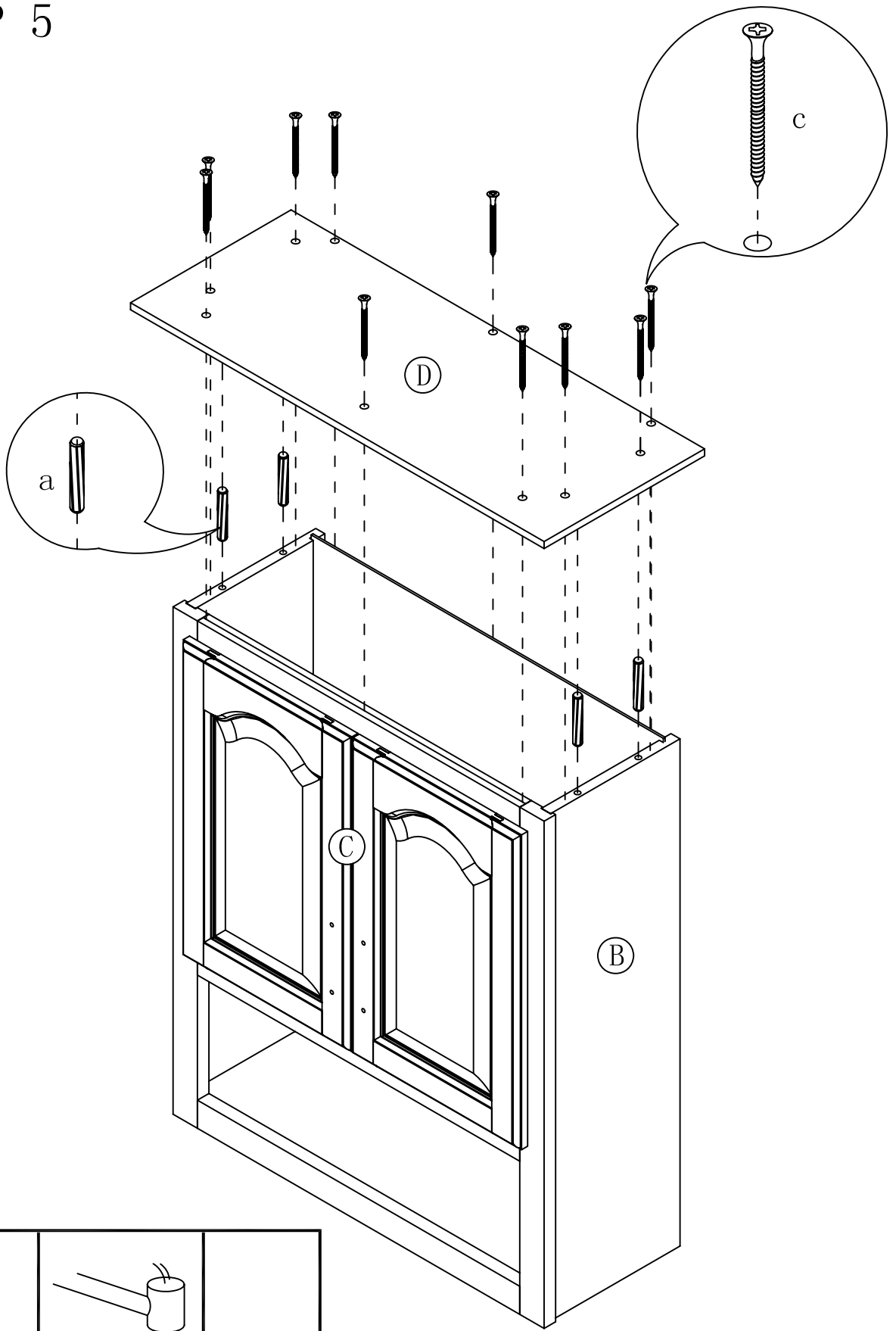
# STEP 3



# STEP 4

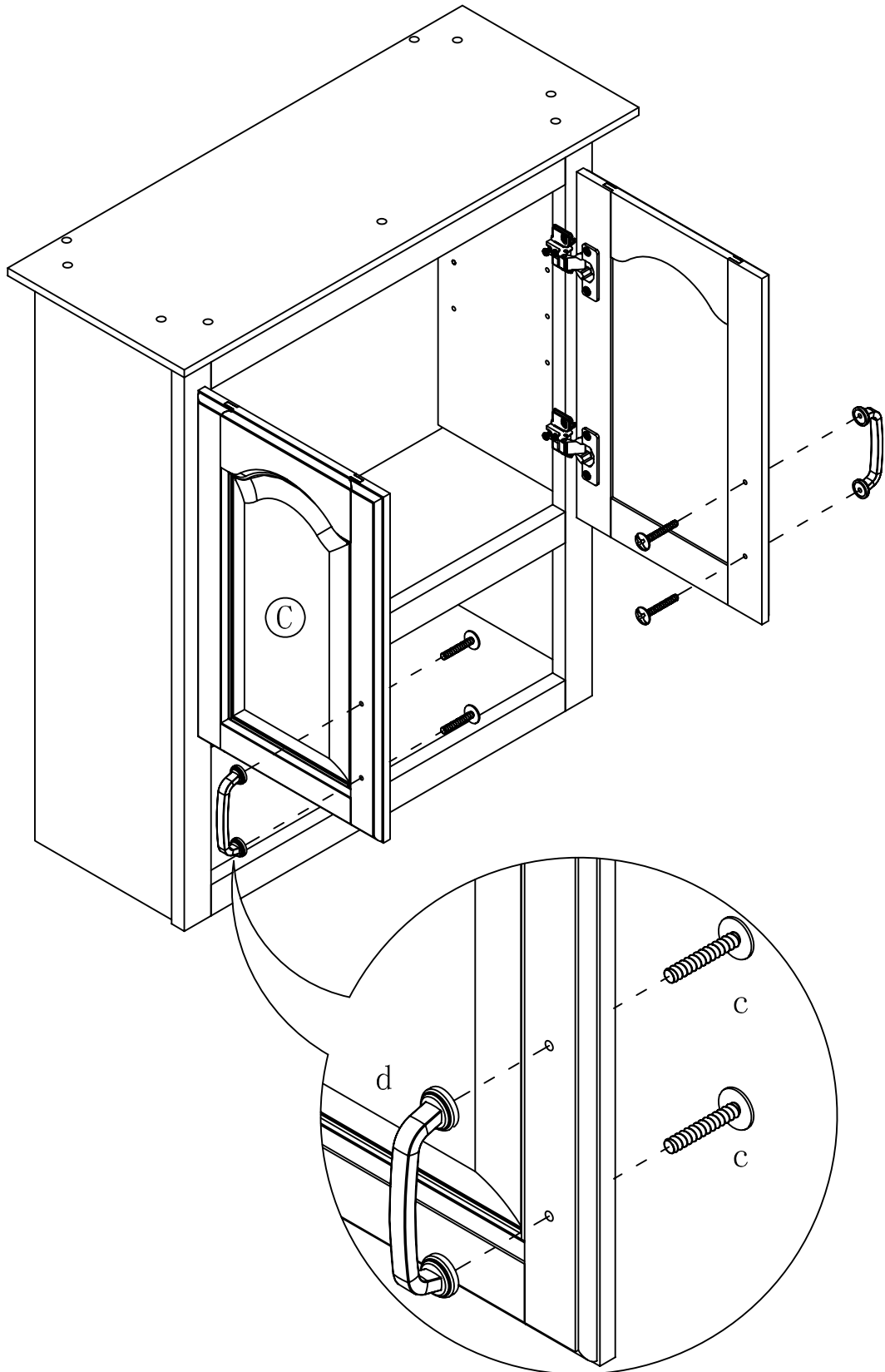


# STEP 5





# STEP 6



# STEP 7

