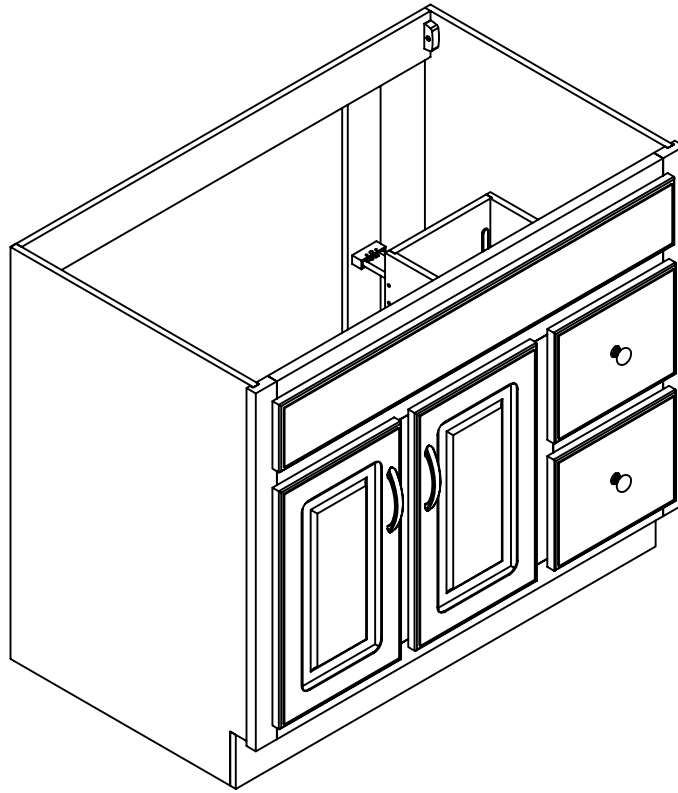




www.todaysdesignhouse.com

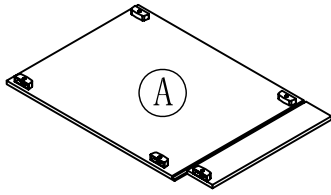


531293 541052

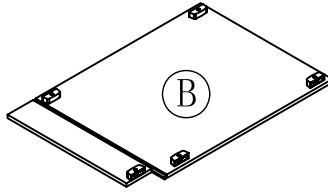
ASSEMBLY INSTRUCTIONS

DHI Corp. • 5205 W. Donges Bay Rd. • Mequon, WI 53092 • 800.558.8700

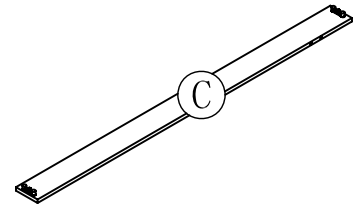
PARTS LIST:



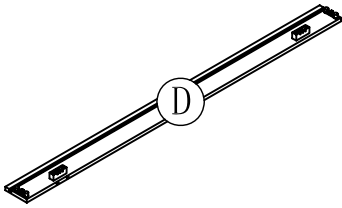
LEFT SIDE PANEL 1PC



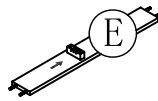
RIGHT SIDE PANEL 1PC



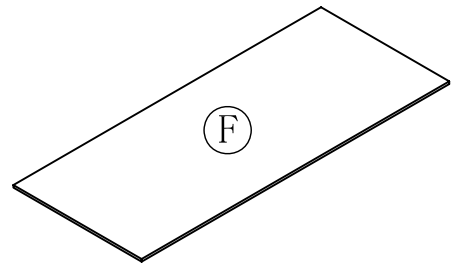
BACK UP CROSS
BRACE 1PC



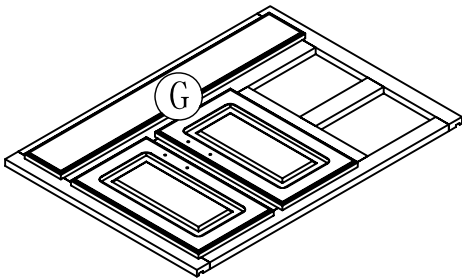
BACK DOWN CROSS
BRACE 1PC



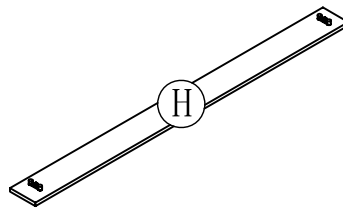
BACK PARTITION
PANEL 1PC



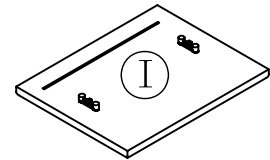
BOTTOM PANEL 1PC



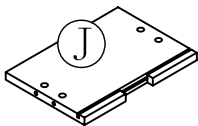
FRONT FRAME 1PC



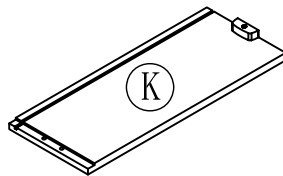
TOE KICK PANEL 1PC



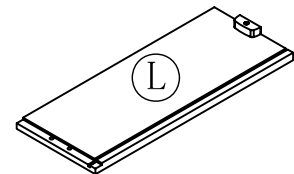
DRAWER FRONT
PANEL 2PCS



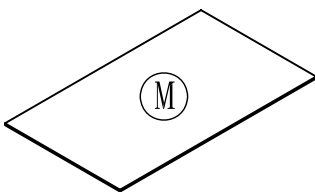
DRAWER BACK
PANEL 2PCS



DRAWER LEFT
SIDE PANEL 2PCS

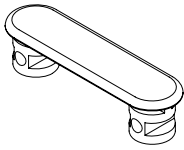


DRAWER RIGHT
SIDE PANEL 2PCS

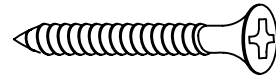


DRAWER BOTTOM
PANEL 2PCS

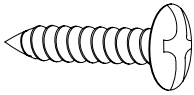
HARDWARE LIST:



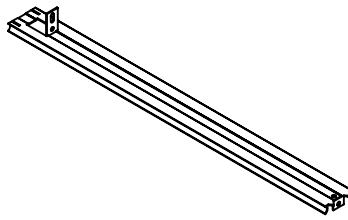
b. PLASTIC ANCHORS 4PCS



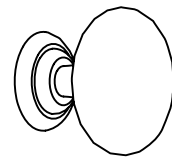
e. 1-1/4" L FLAT HEAD
SCREW 8PCS



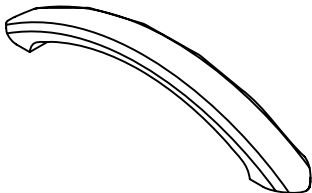
g. ROUND HEAD SCREW
(FOR DRAWER GUIDE) 6PCS



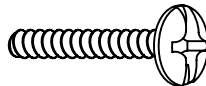
i. DRAWER GUIDE (1) 2PCS



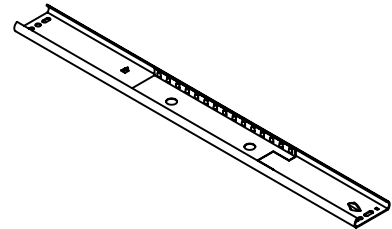
l. KNOB 2PCS



m. HANDLE 2PCS

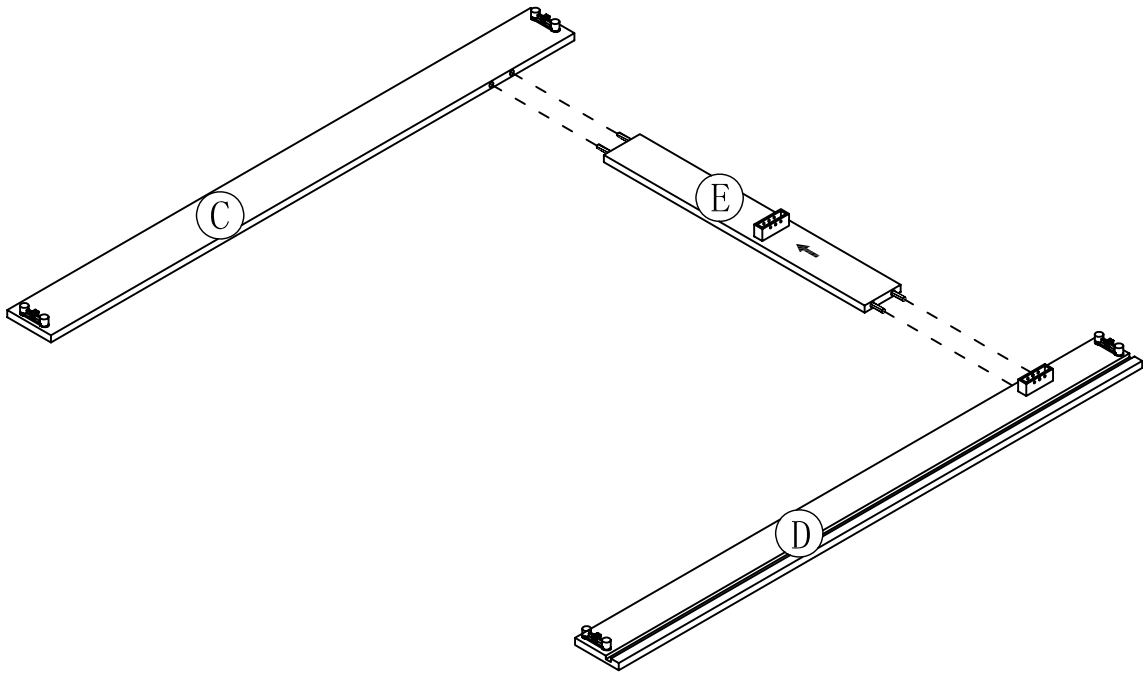


n. HANDLE (KNOB)
BOLT 6PCS

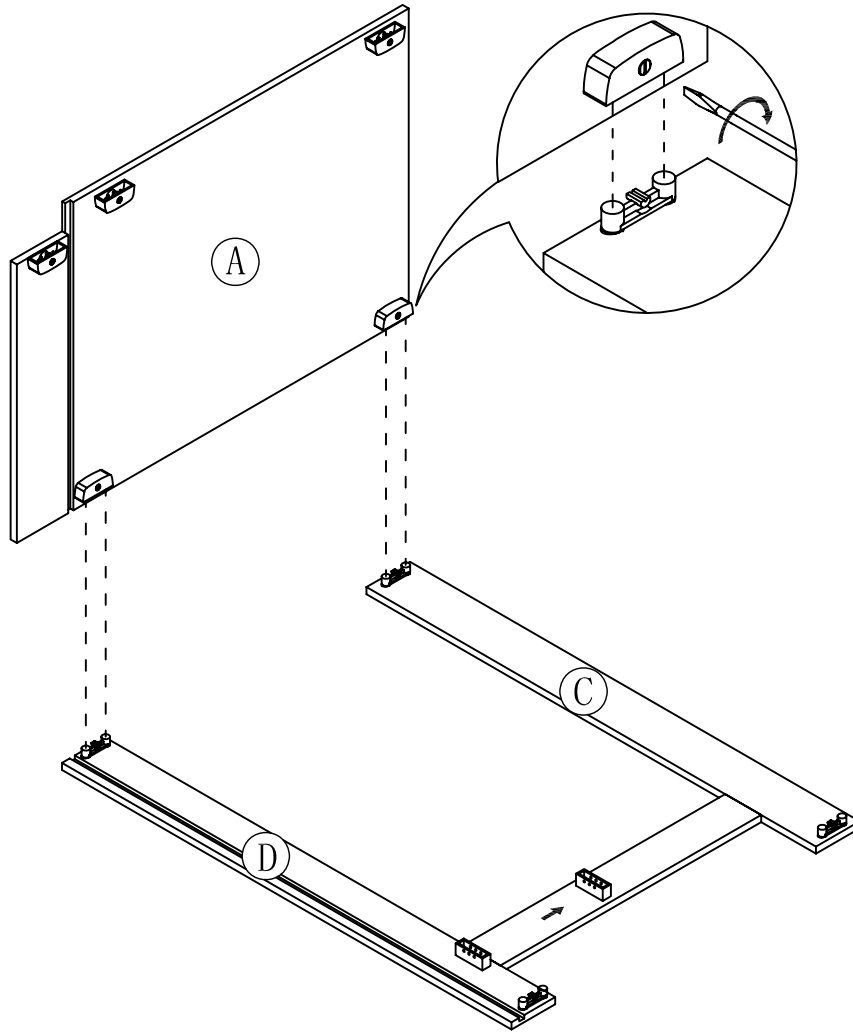


y. DRAWER GUIDE (2) 2PCS

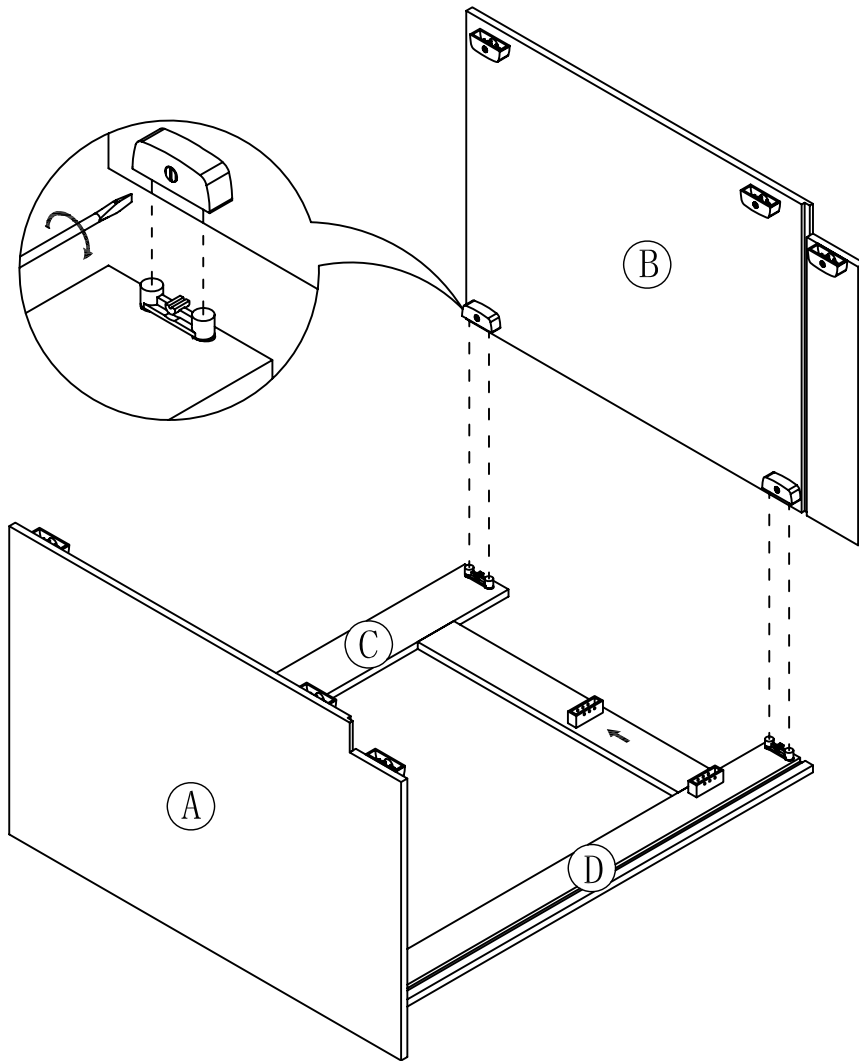
STEP 1



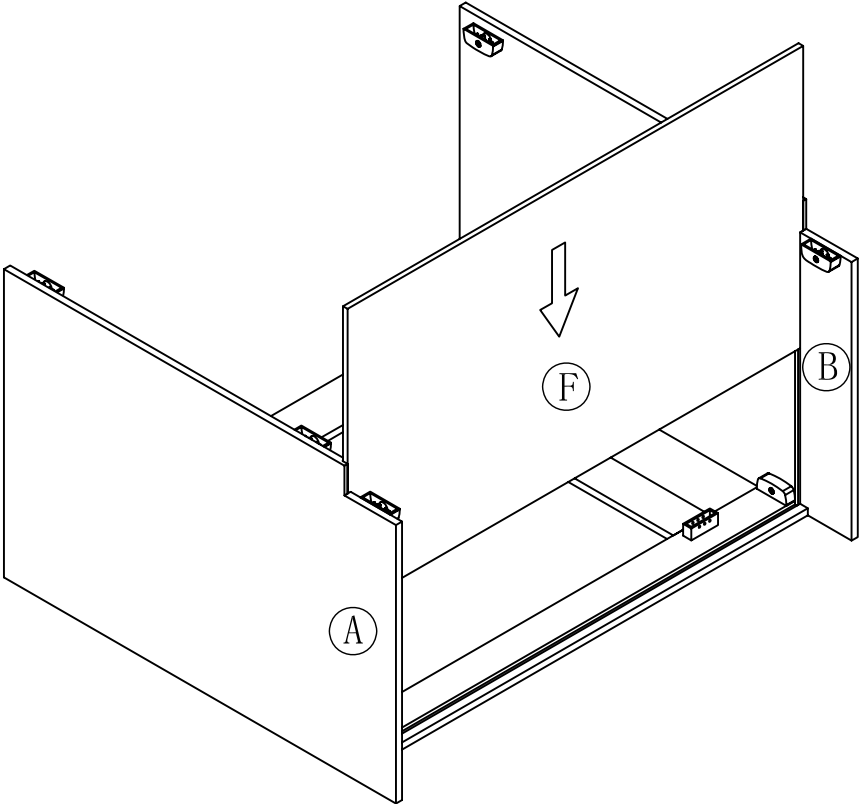
STEP 2



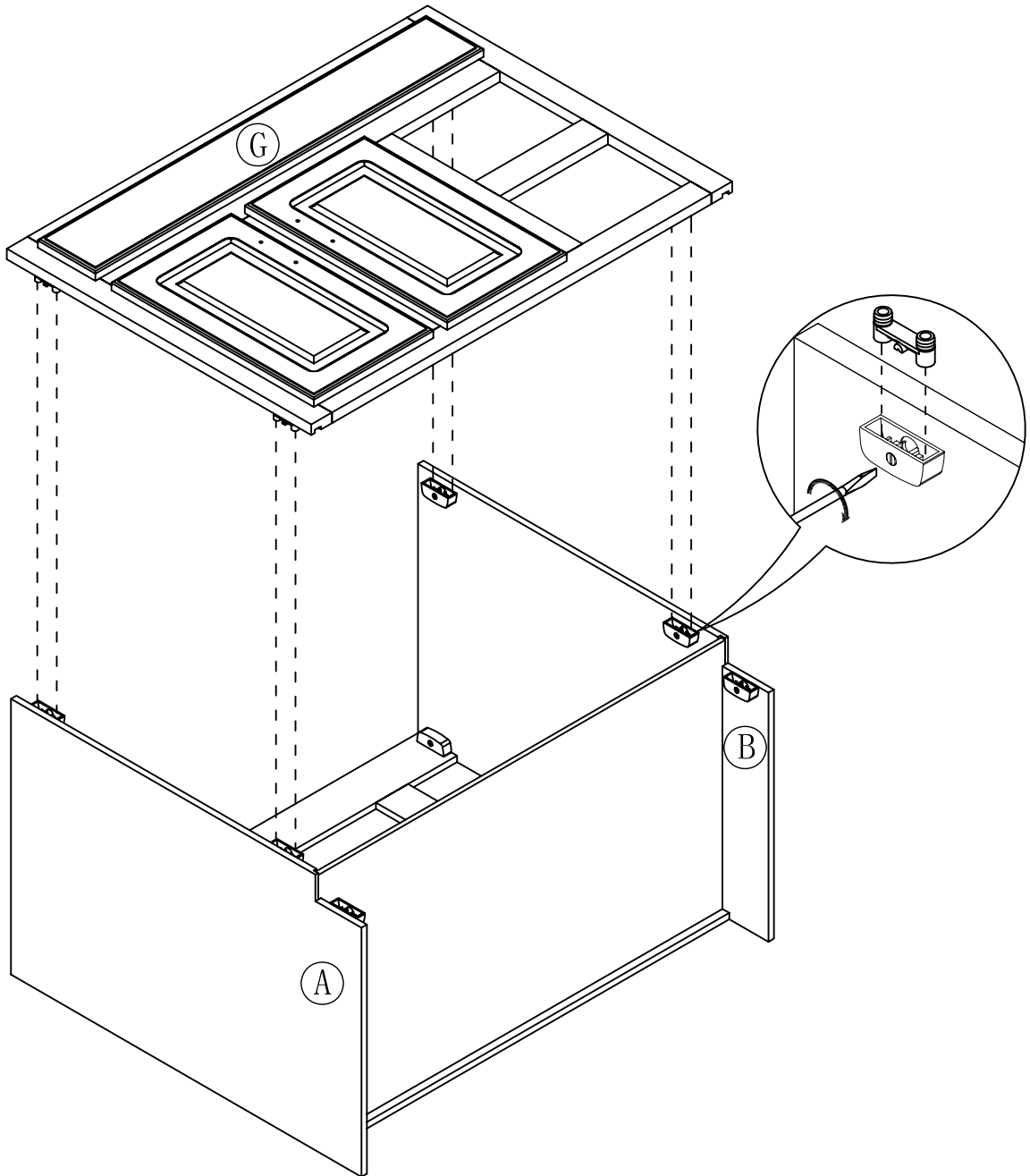
STEP 3



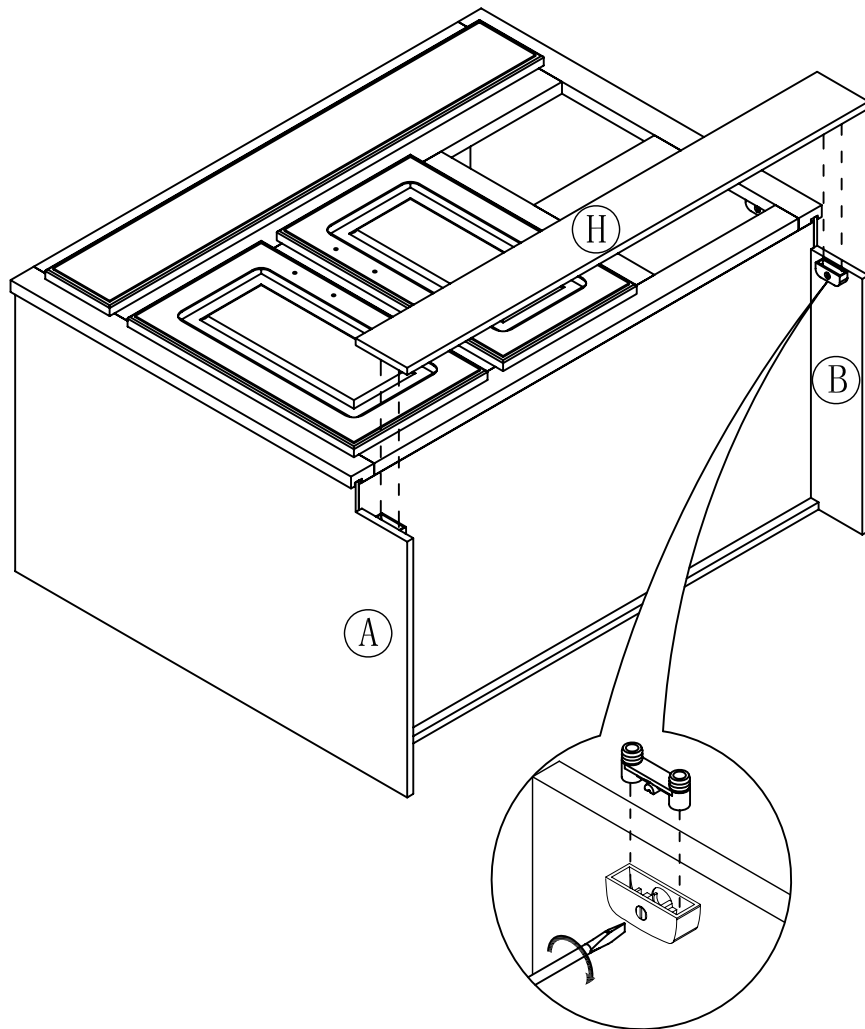
STEP 4



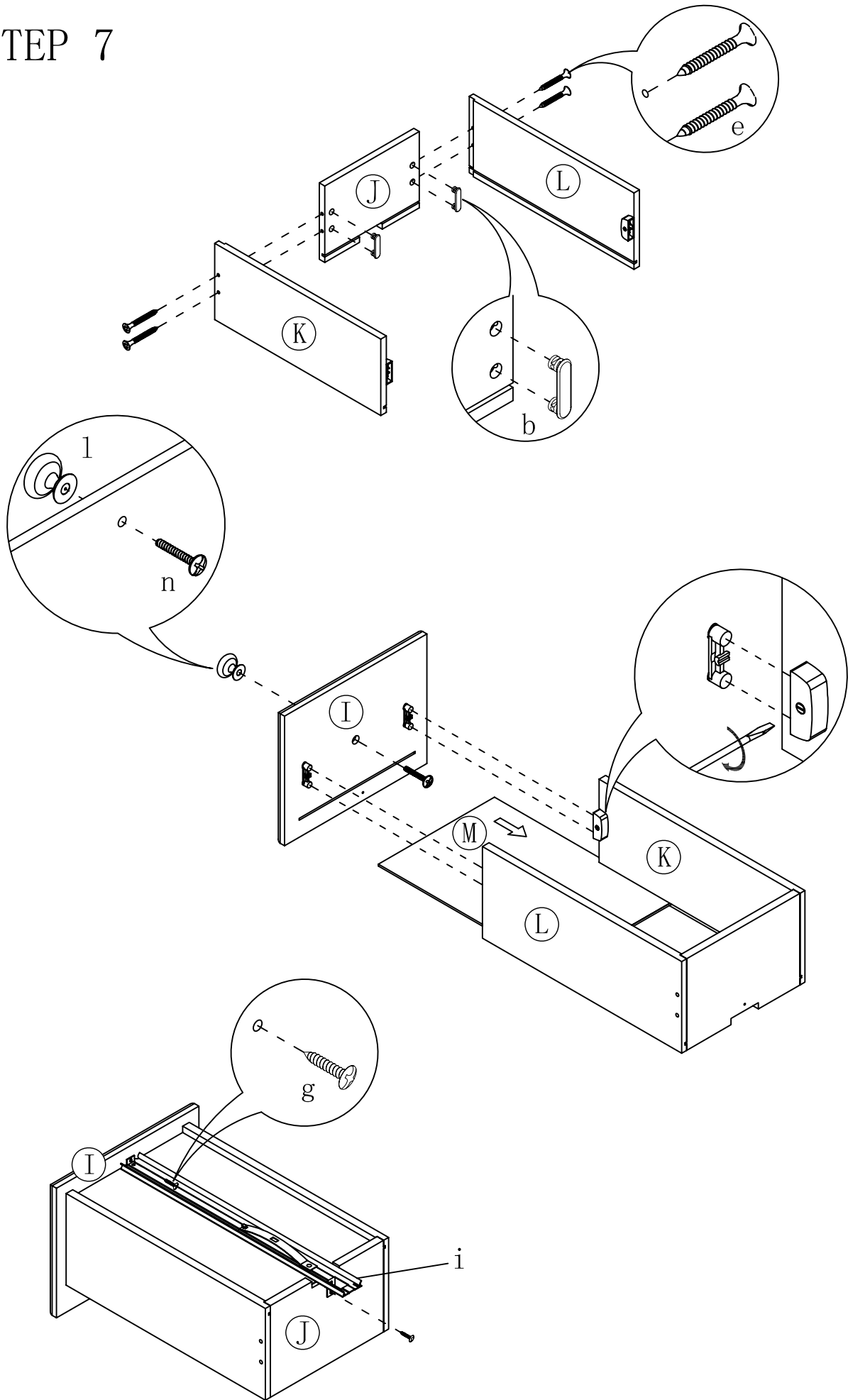
STEP 5



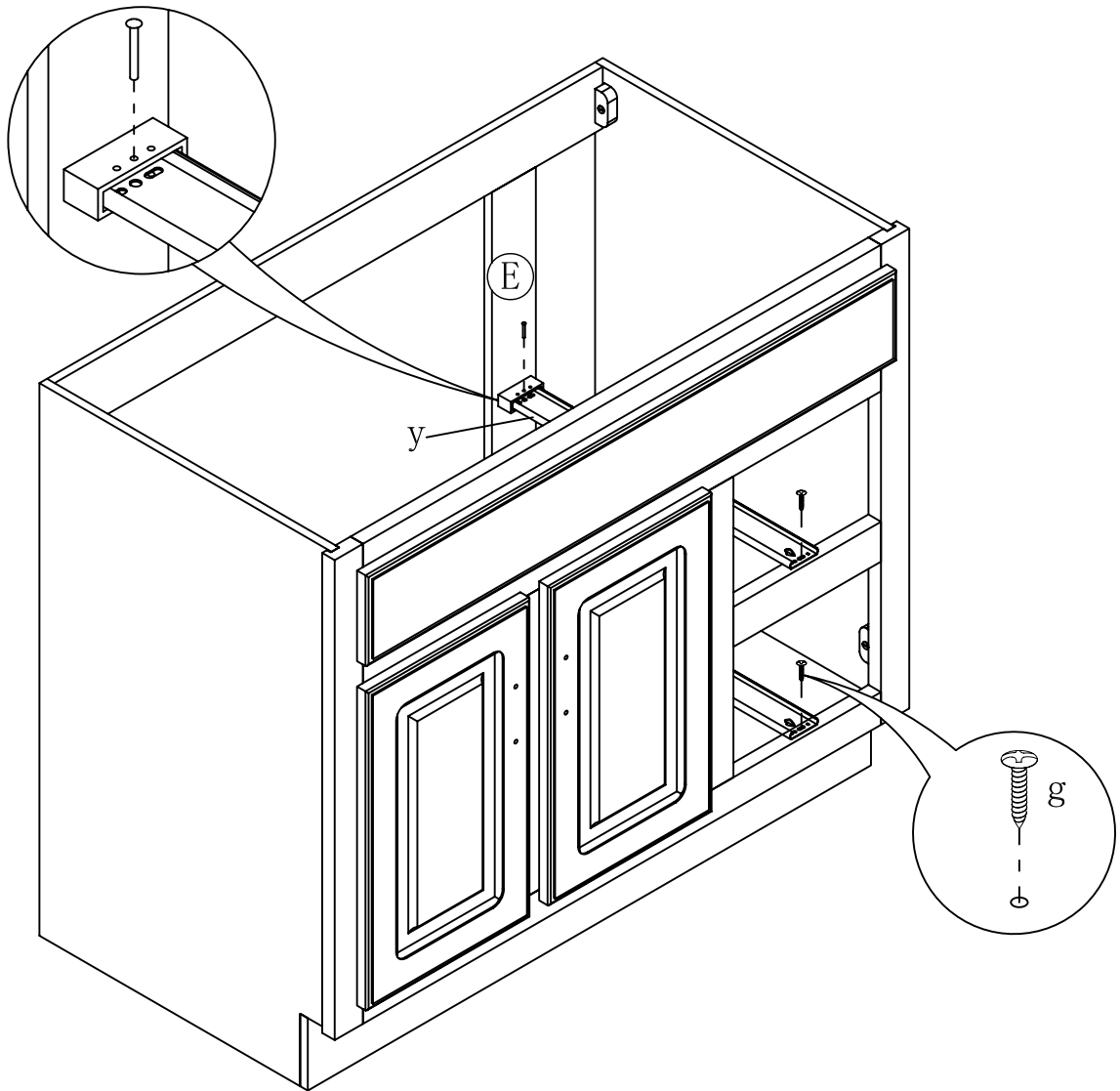
STEP 6



STEP 7



STEP 8



STEP 9

