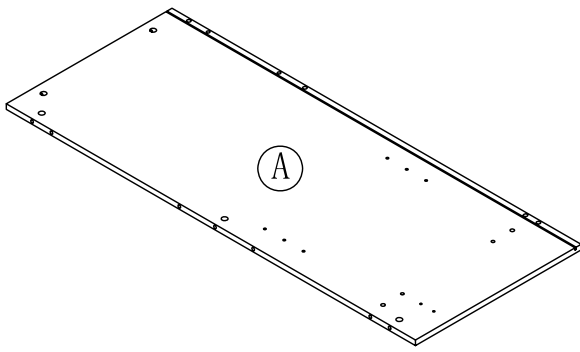


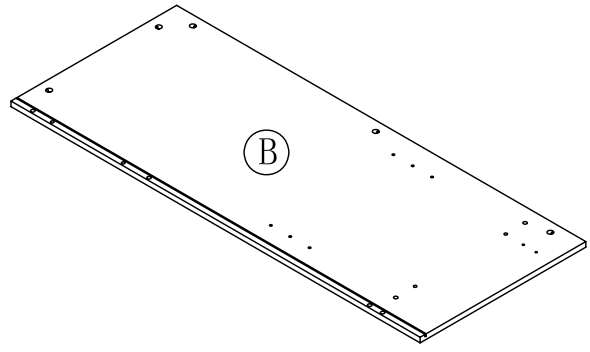
541003

ASSEMBLY INSTRUCTIONS

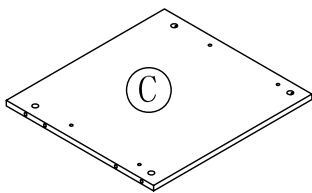
PARTS LIST:



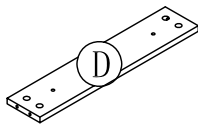
LEFT SIDE PANEL 1PC



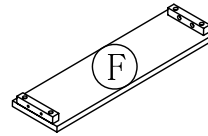
RIGHT SIDE PANEL 1PC



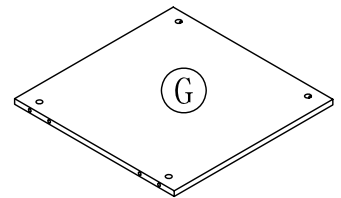
BACK UP CROSS BRACE 1PC



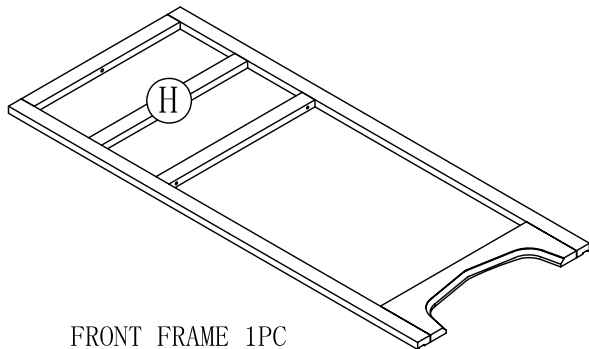
BACK DOWN CROSS BRACE 1PC



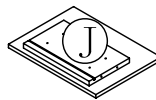
TOE KICK PANEL 1PC



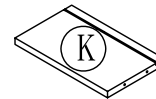
BOTTOM PANEL 1PC



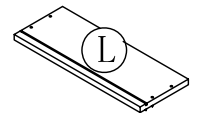
FRONT FRAME 1PC



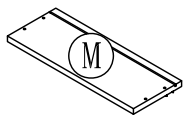
DRAWER FRONT PANEL 2PCS



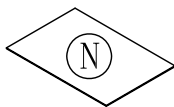
DRAWER BACK PANEL 2PCS



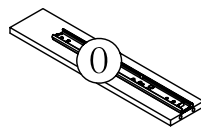
DRAWER LEFT SIDE PANEL 2PCS



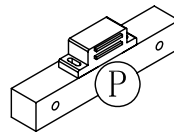
DRAWER RIGHT SIDE PANEL 2PCS



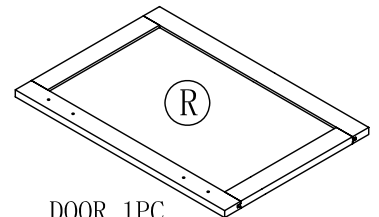
DRAWER BOTTOM PANEL 2PCS



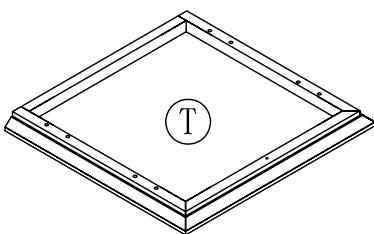
SUPPORT PANEL 4PCS



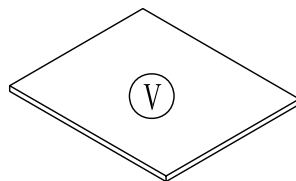
MAGNET 1PC



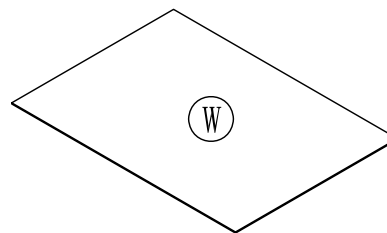
DOOR 1PC



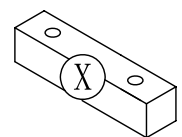
TOP PANEL 1PC



ADJUSTABLE PANEL 1PC



BACK PANEL 1PC

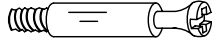


STOPPER 1PC

HARDWARE LIST:



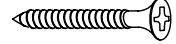
a. WOOD DOWEL 36PCS



b. CAM LOCK SCREW
22PCS



c. CAM LOCK 22PCS



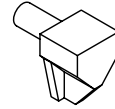
d. 1" L FLAT HEAD
SCREW 9PCS



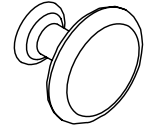
e. 1-1/2" L FLAT HEAD
SCREW 22PCS



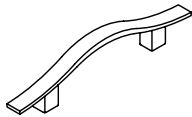
g. 1/2" L FLAT HEAD SCREW
(FOR HINGE) 4PCS



k. PIN 4PCS



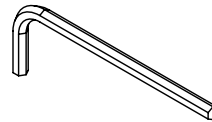
l. KNOB 2PCS



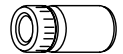
m. HANDLE 1PC



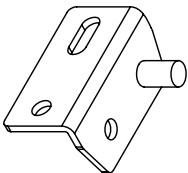
n. HANDLE (KNOB)
BOLT 4PCS



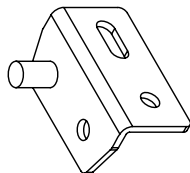
o. WRENCH 1PC



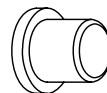
p. GLUE 1PC



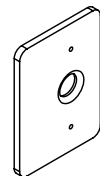
q. HINGE(1) 1PC



r. HINGE(2) 1PC



s. PLASTIC PLUG 2PC



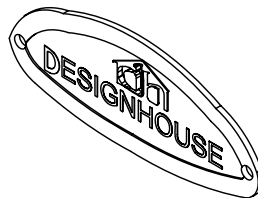
t. METAL PLATE 1PC



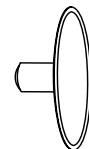
u. 3/8" L FLAT HEAD
SCREW 1PC



v. SMALL SCREW
(FOR LOGO) 2PCS

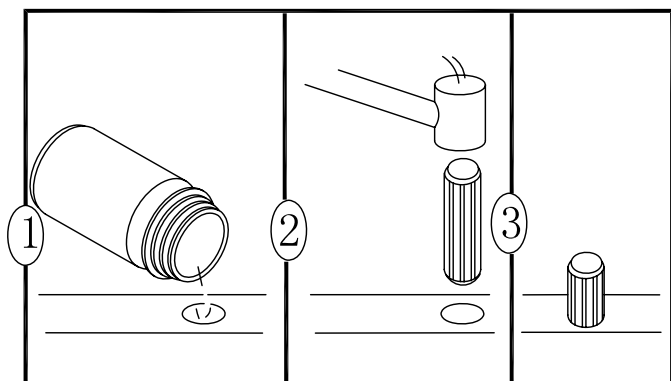
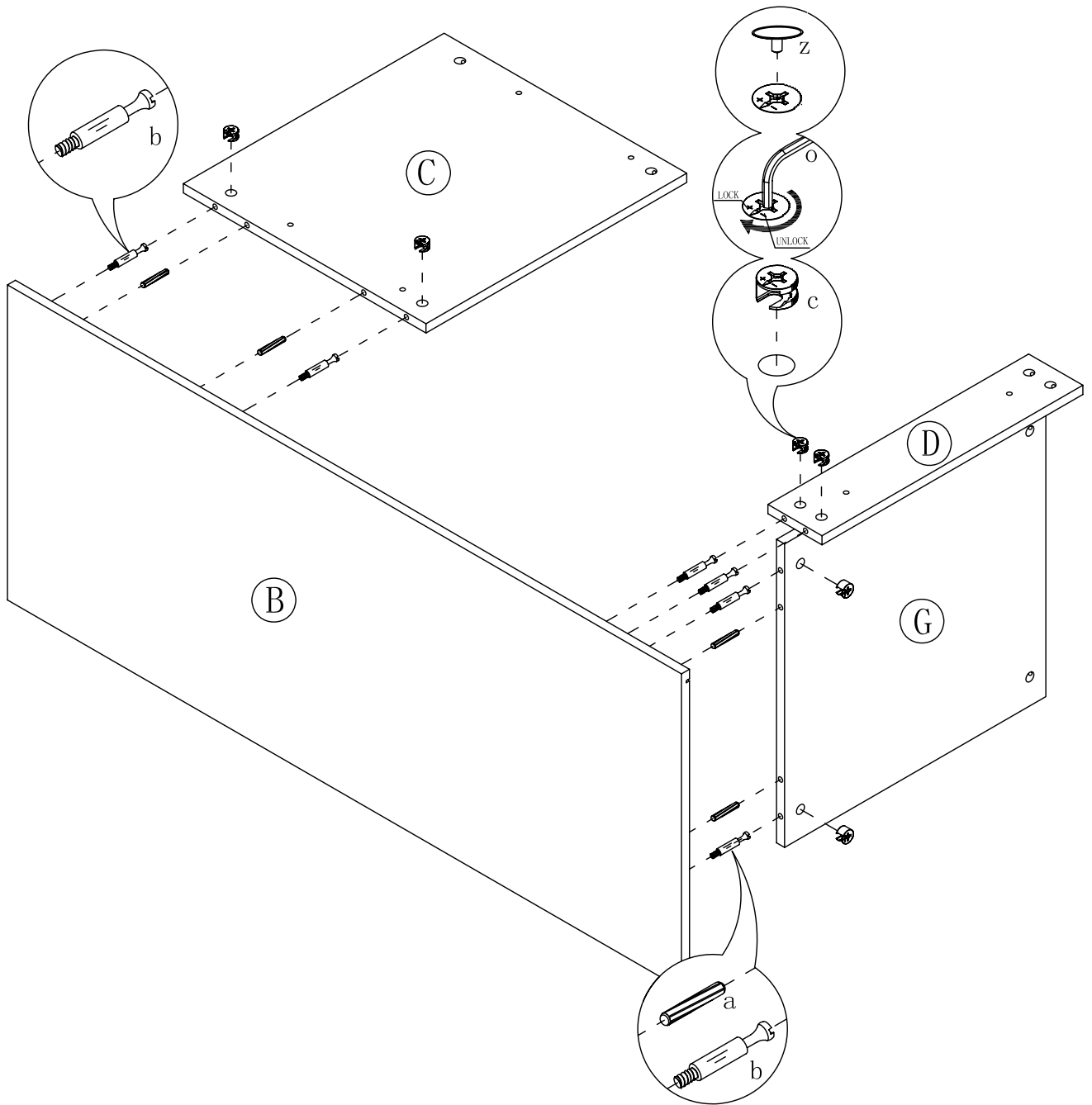


x. LOGO 1PC

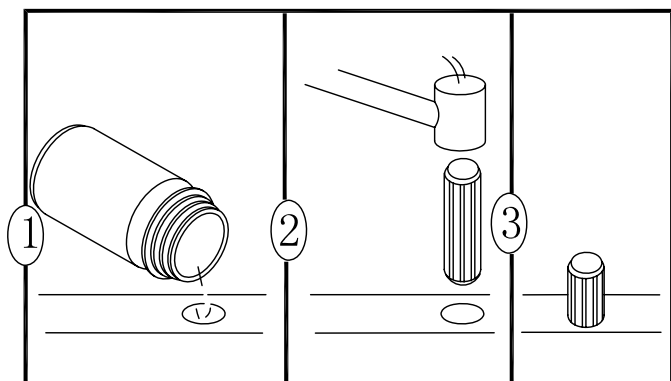
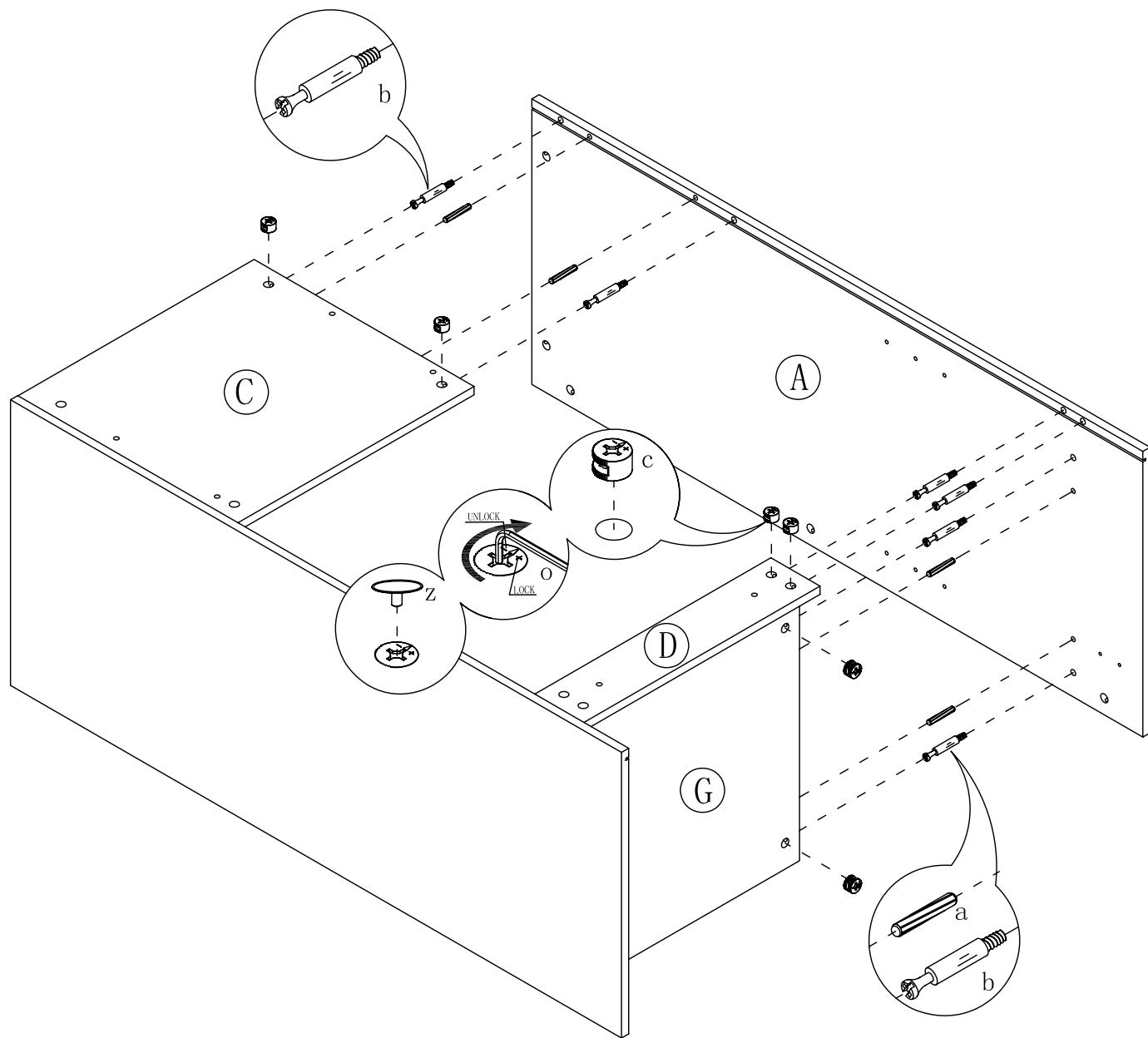


z. PLASTIC COVER 22PCS

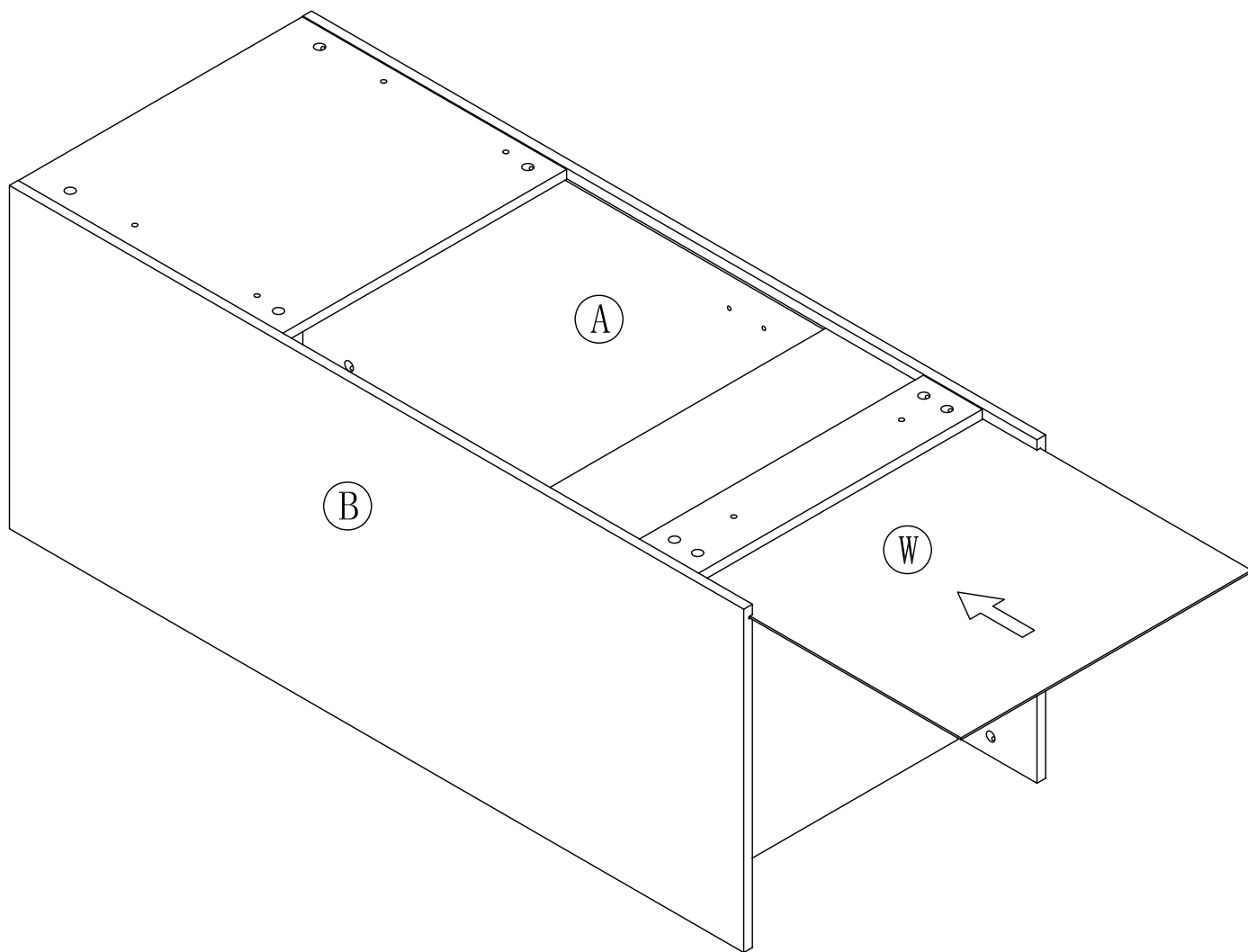
STEP 1



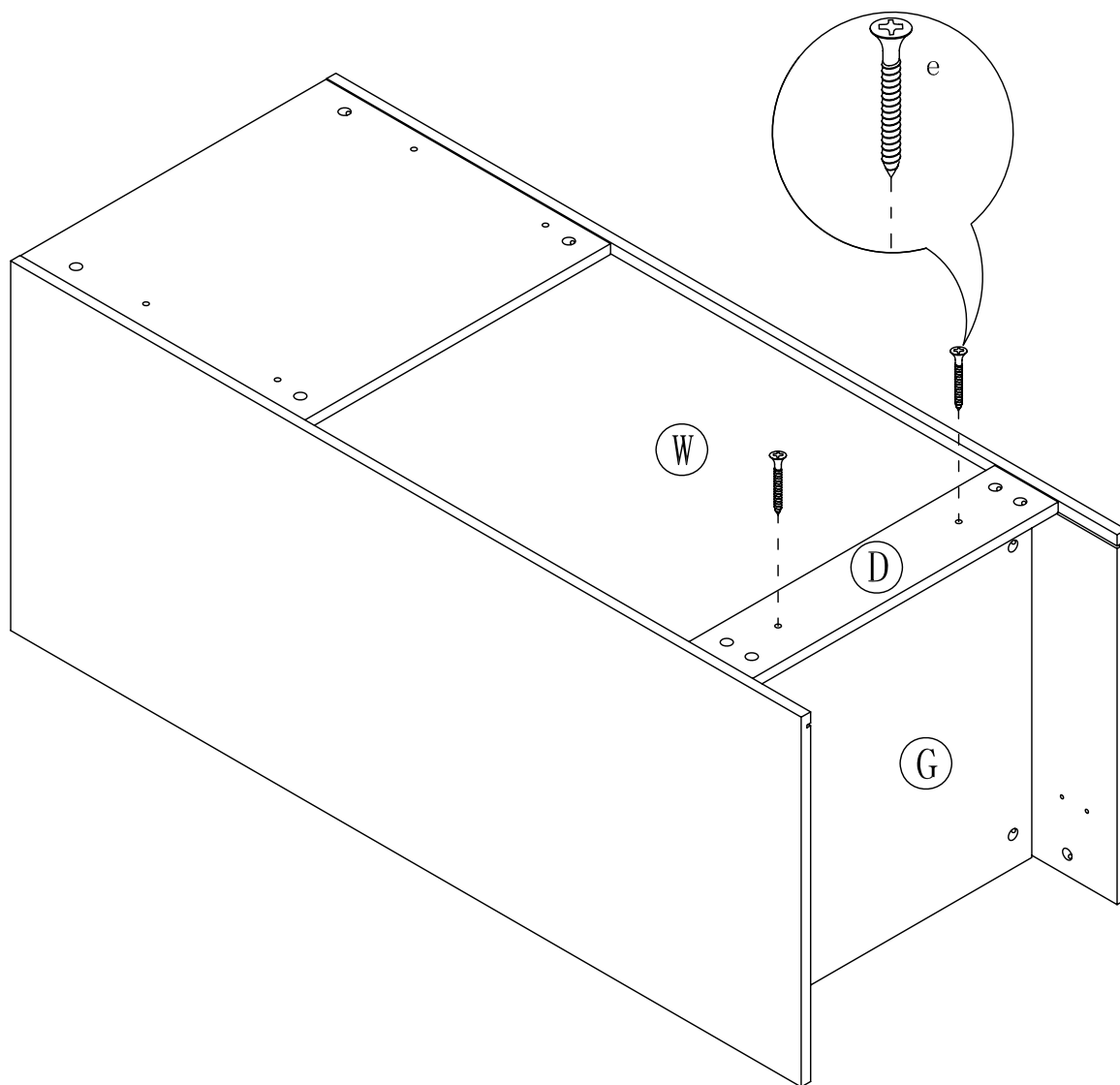
STEP 2



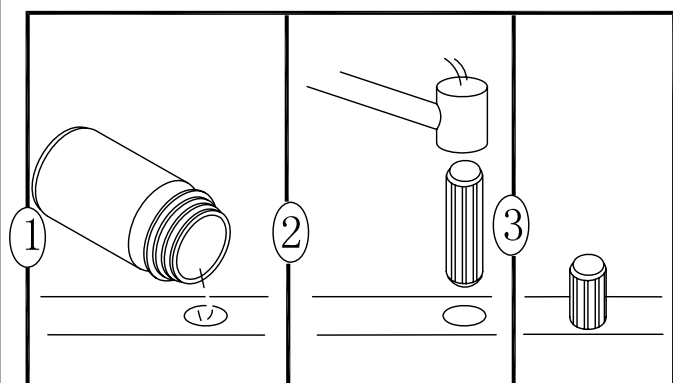
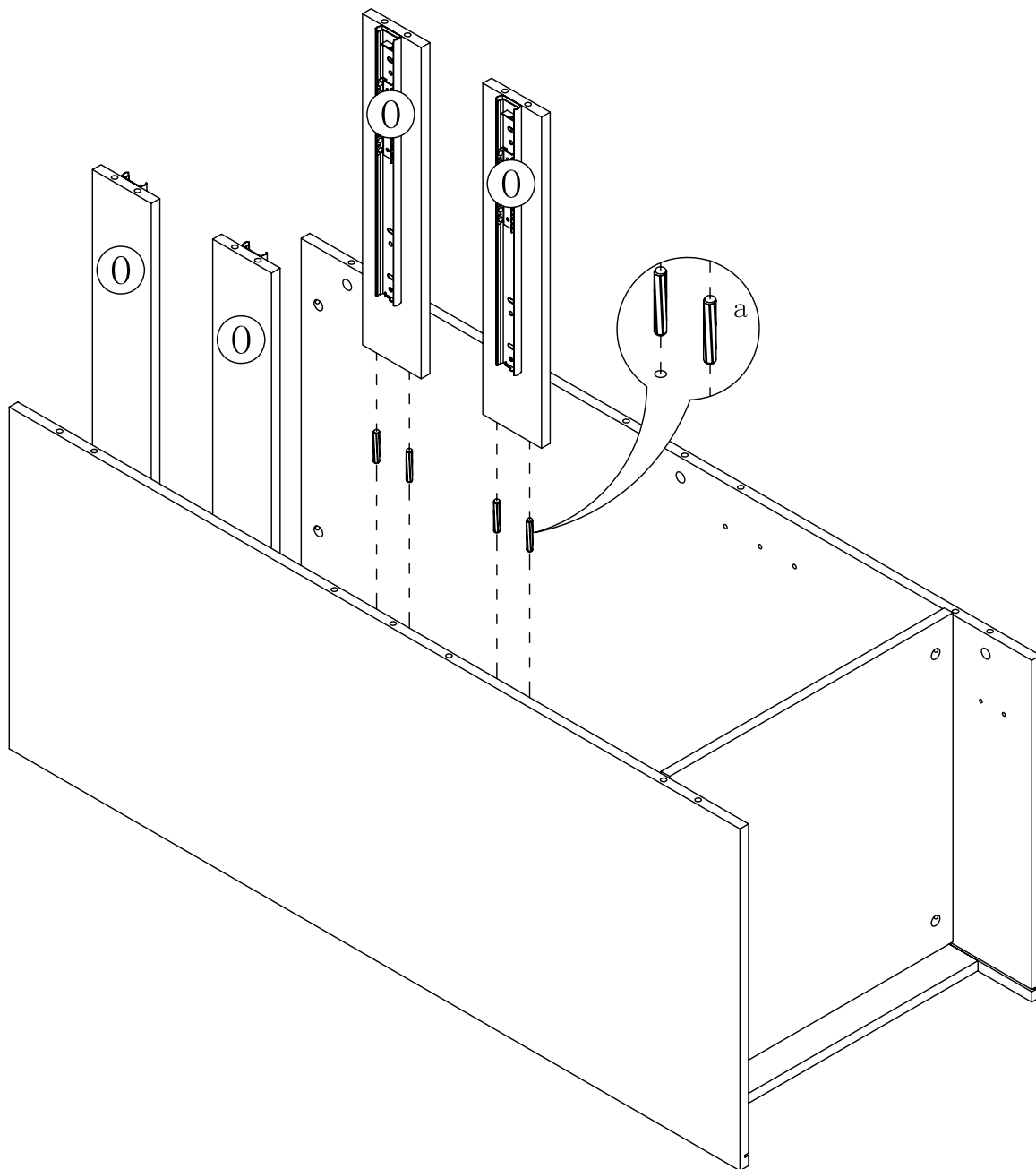
STEP 3



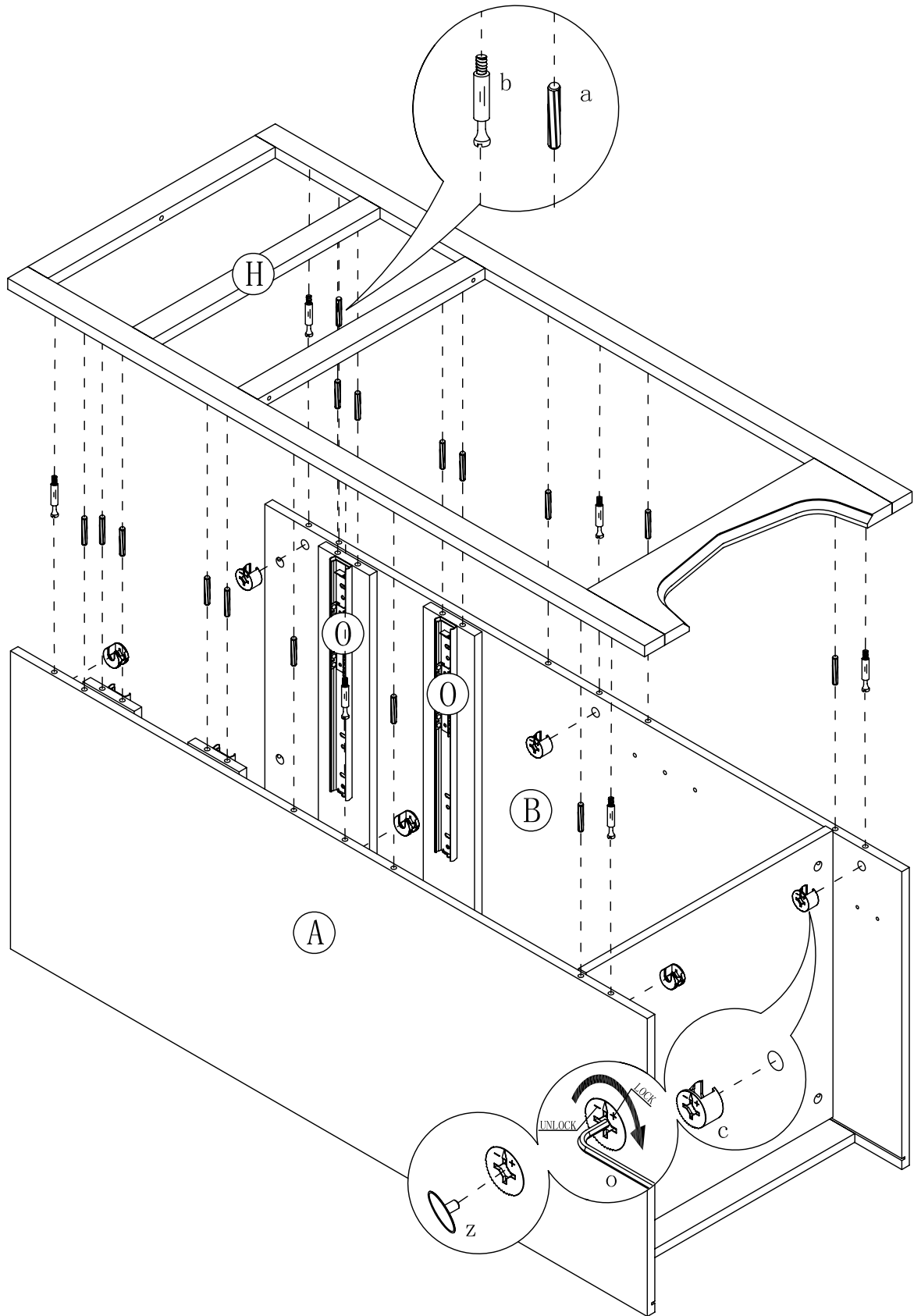
STEP 4



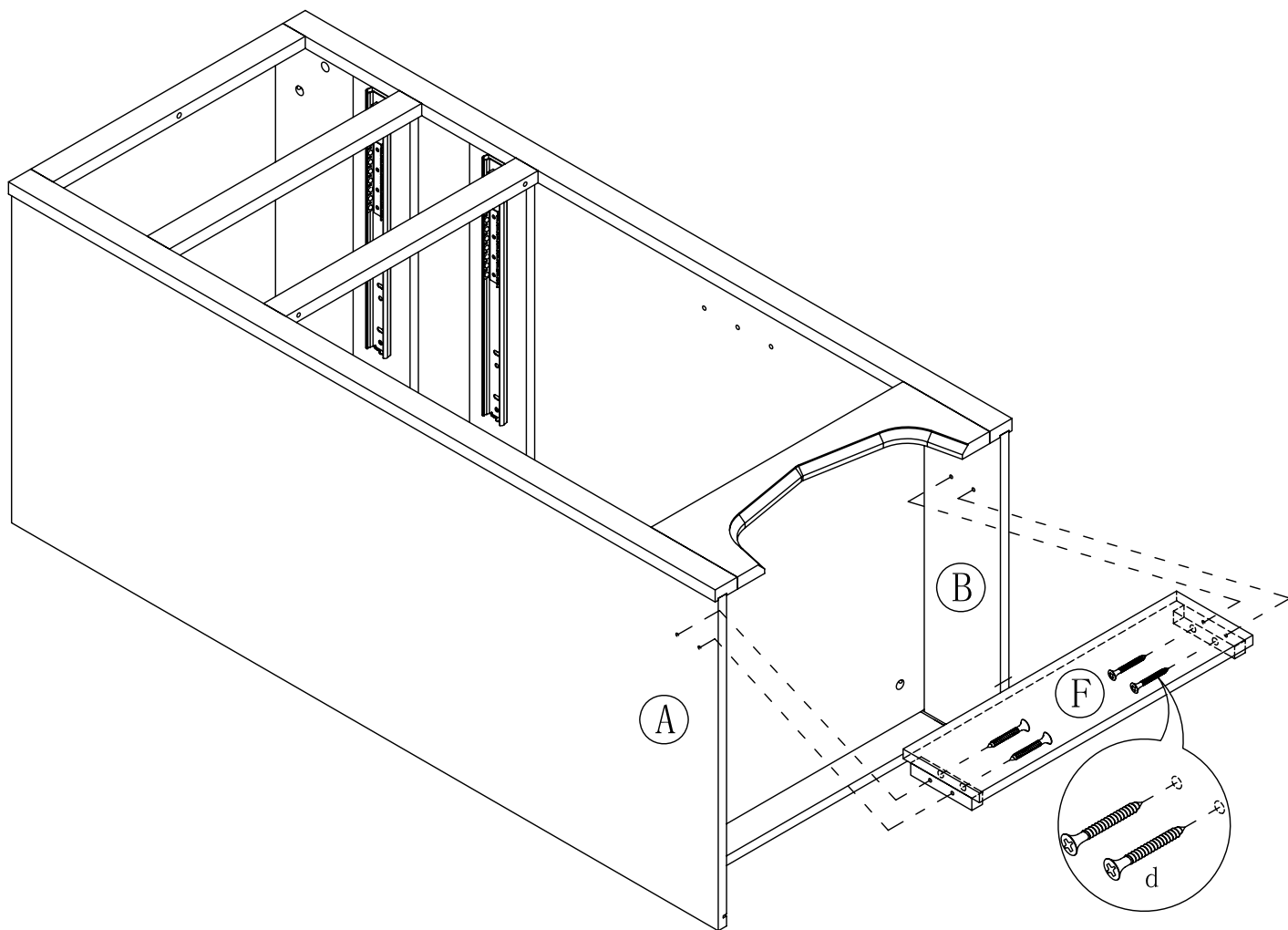
STEP 5



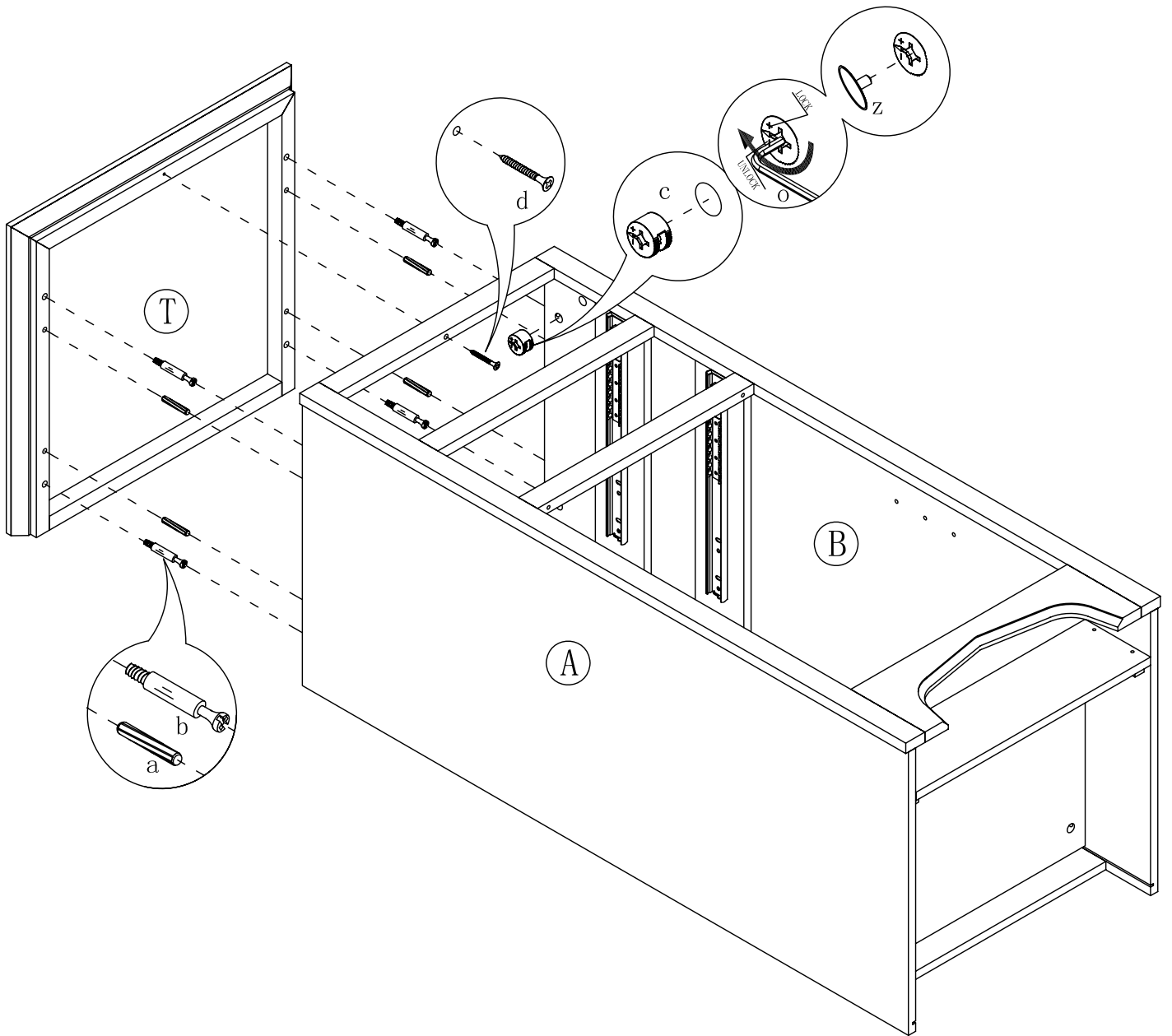
STEP 6



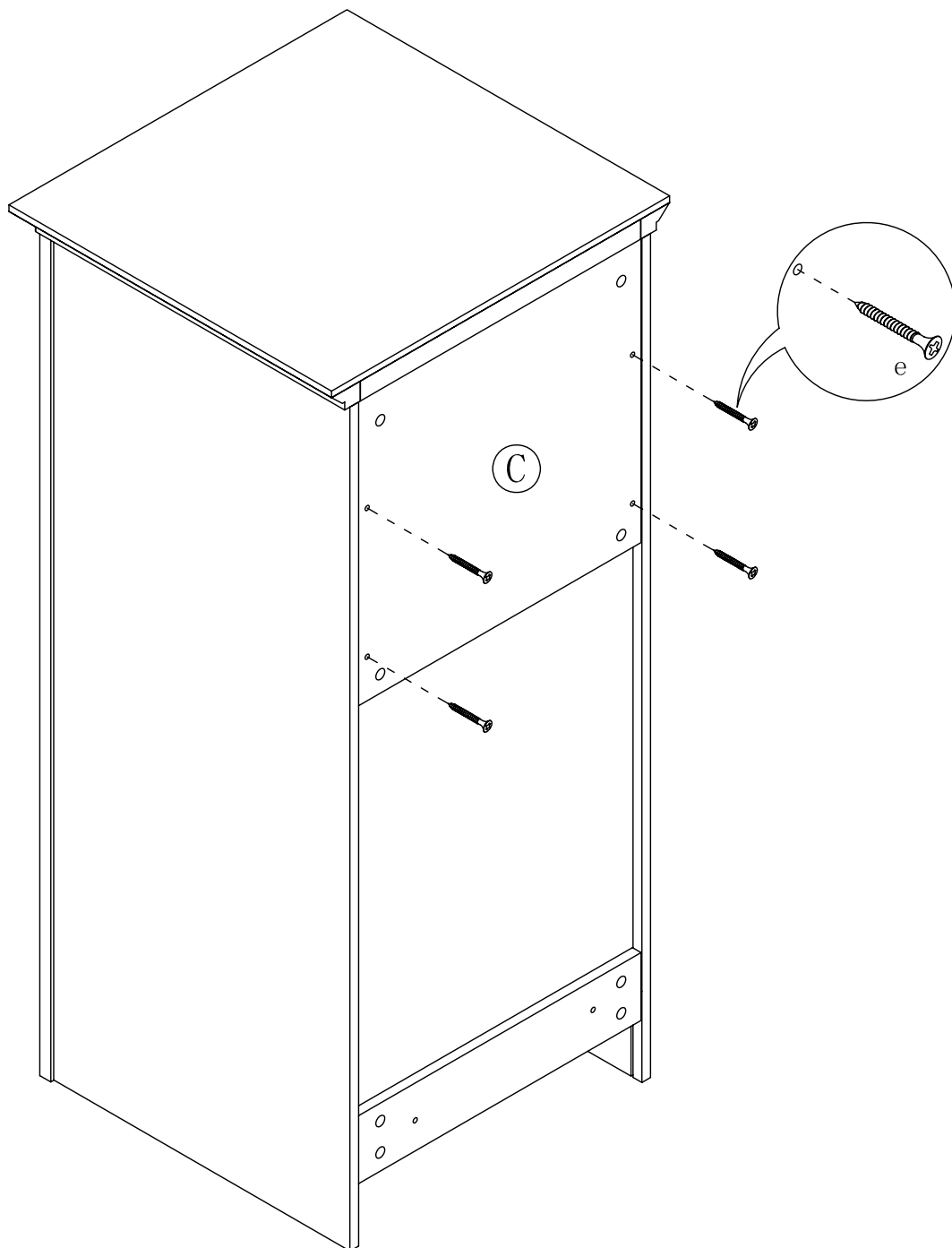
STEP 7



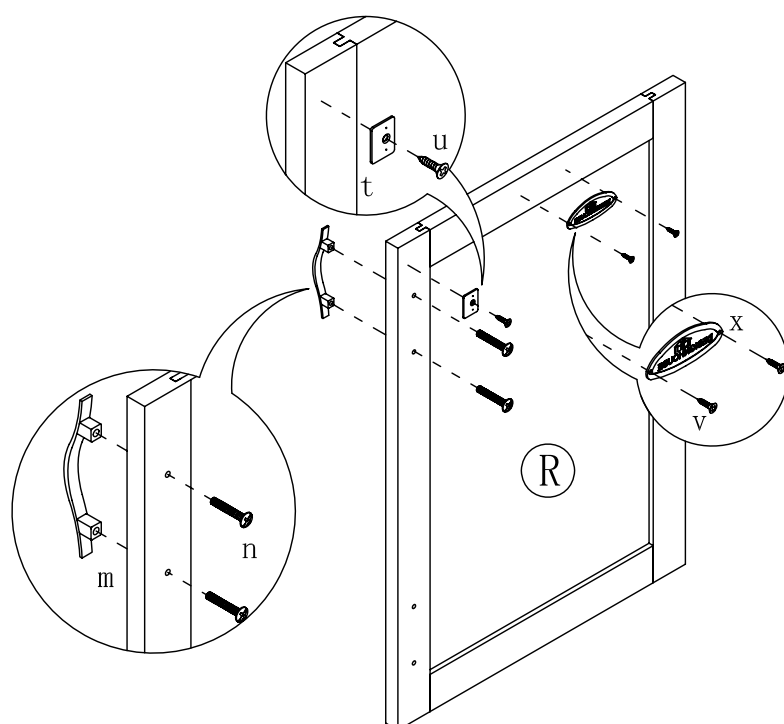
STEP 8



STEP 9

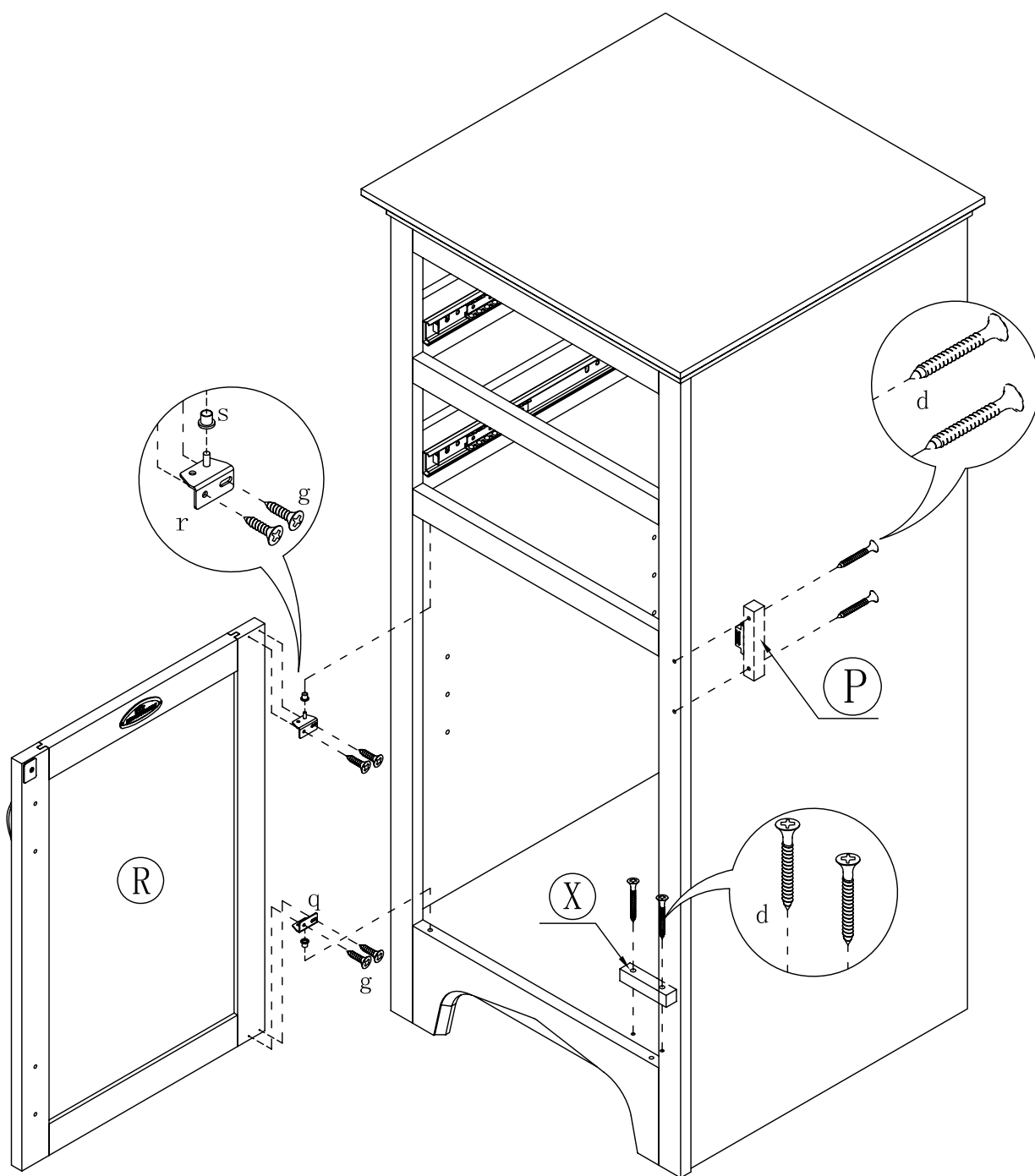


STEP 10

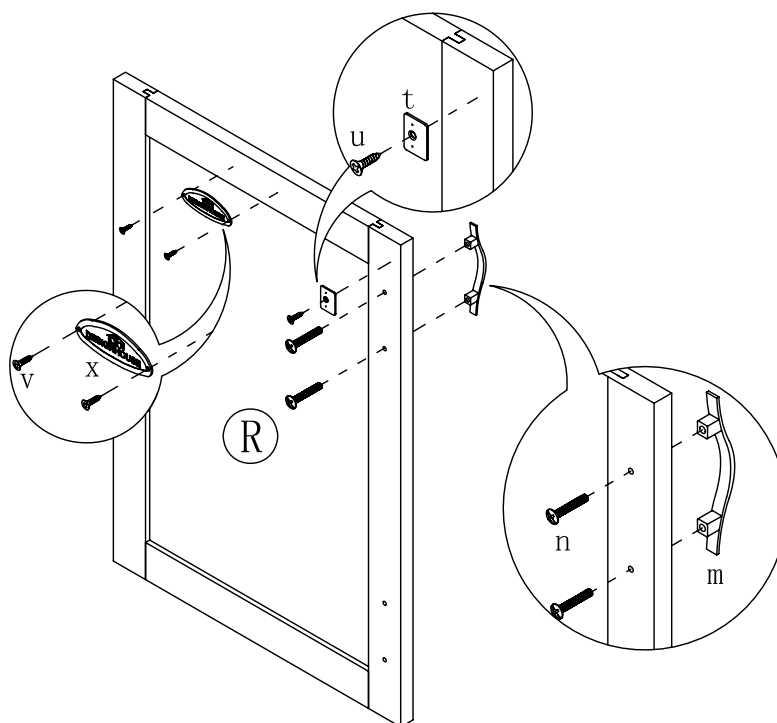


PLEASE FOLLOW STEP10~STEP11 IF
YOU WOULD LIKE THE DOOR OPEN
FROM THE LEFT

STEP 11

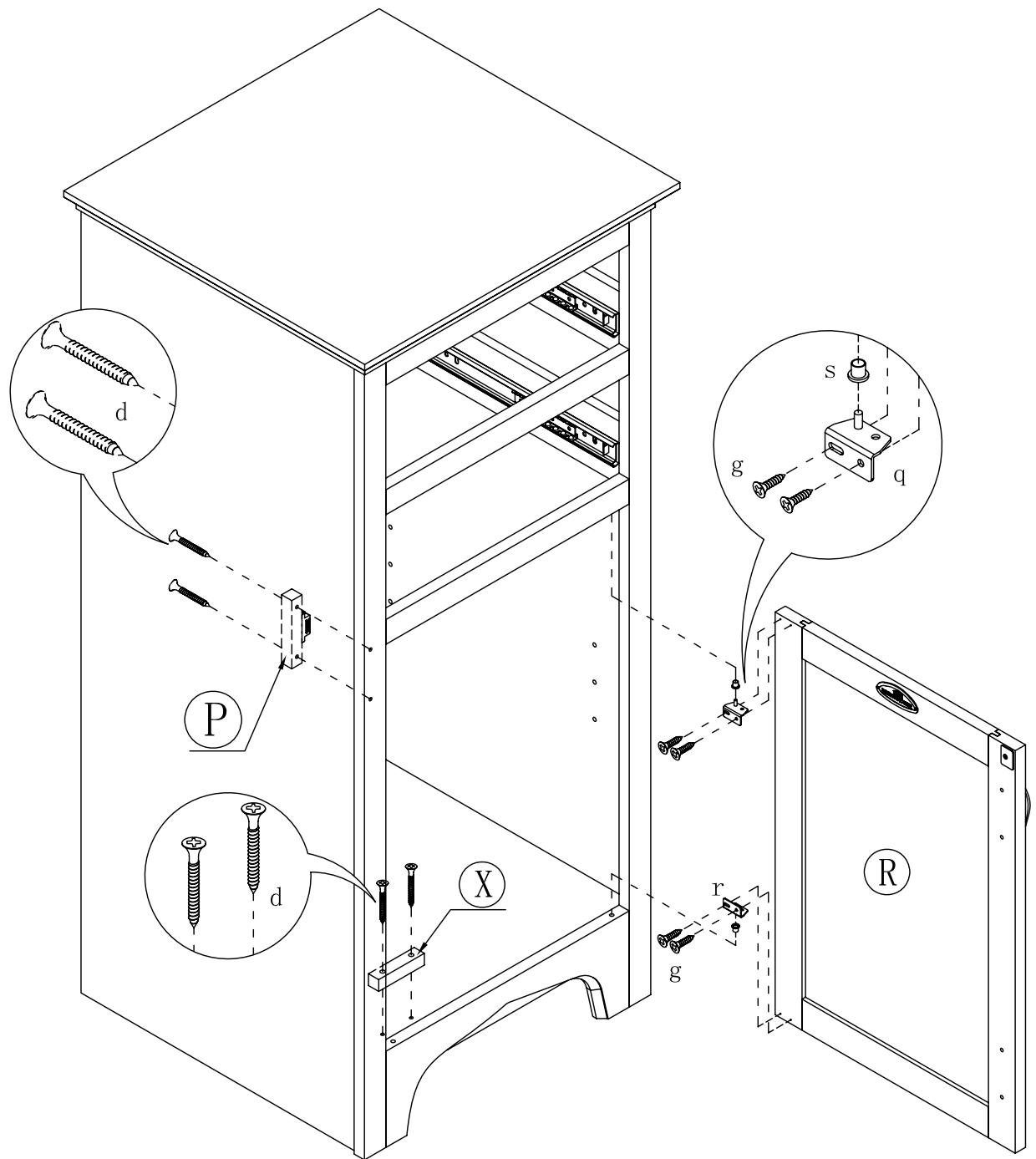


STEP 12

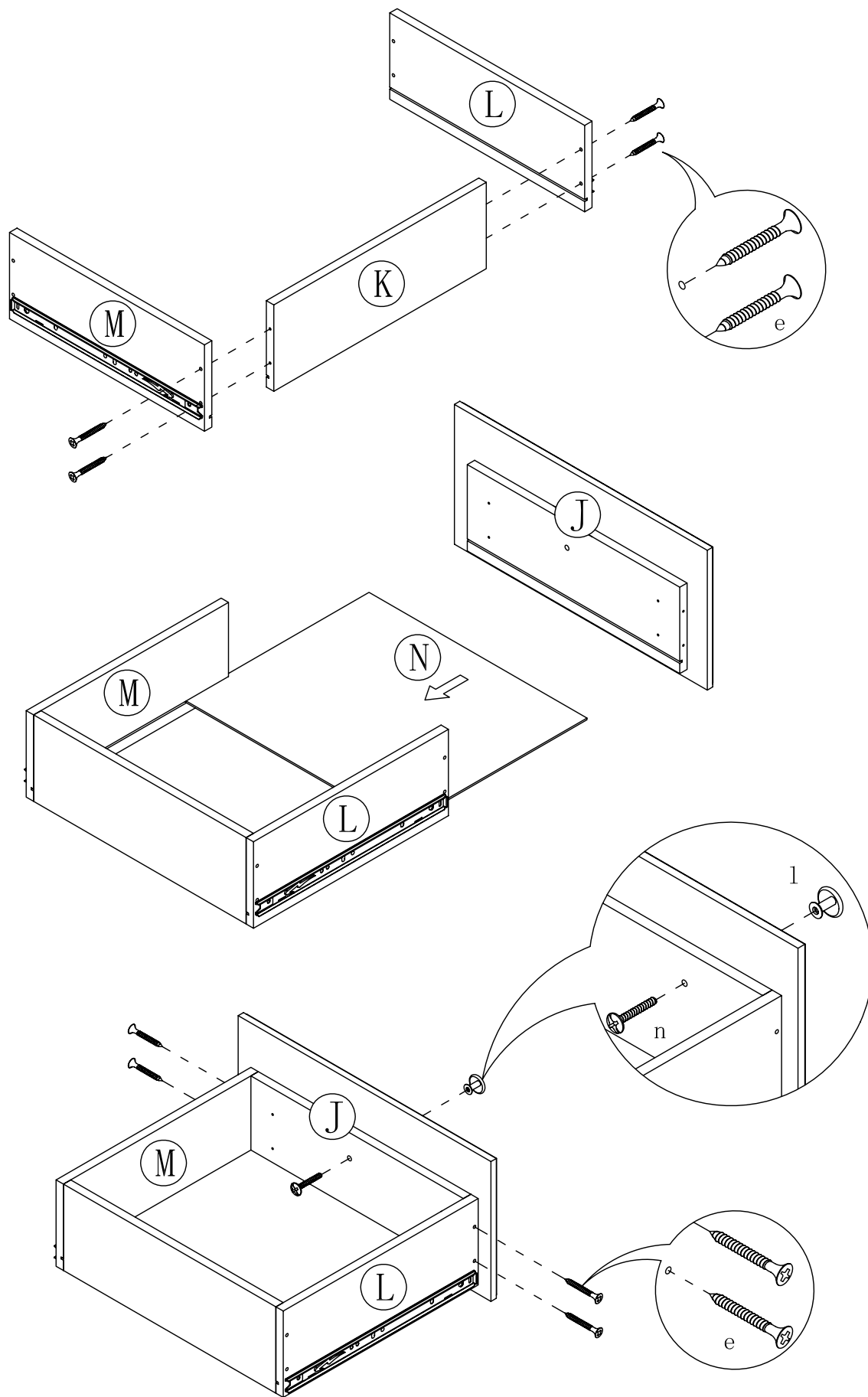


PLEASE FOLLOW STEP12~ STEP13 IF
YOU WOULD LIKE THE DOOR OPEN
FROM THE RIGHT

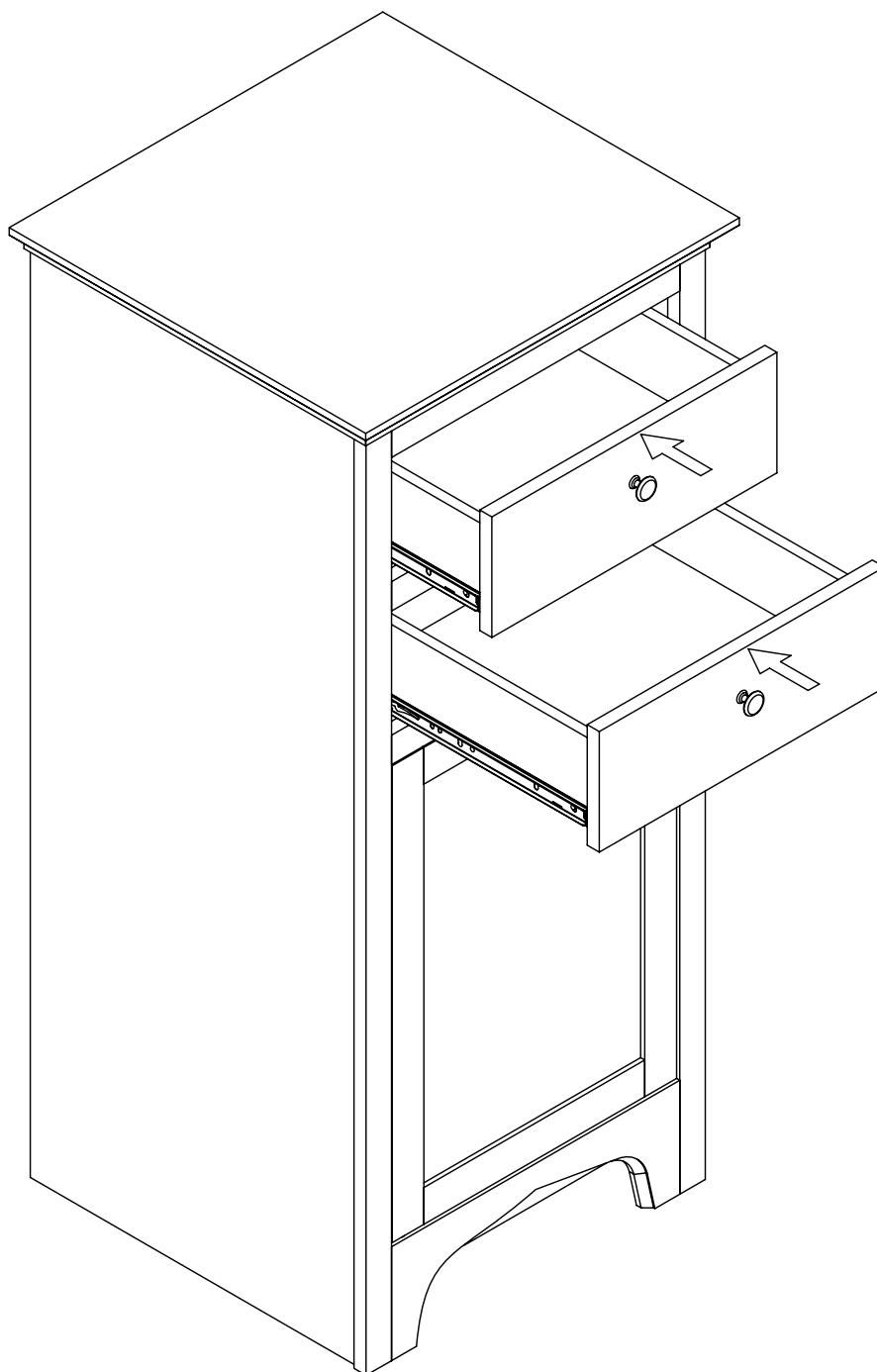
STEP 13



STEP 14



STEP 15



STEP 16

