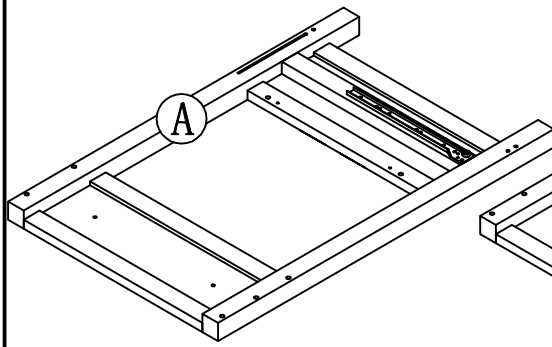


541532

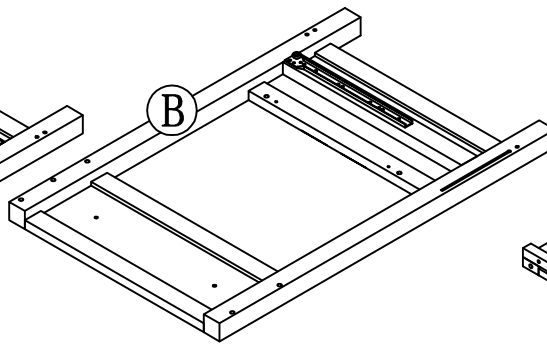
ASSEMBLY INSTRUCTIONS

DHI Corp. • 5205 W. Donges Bay Rd. • Mequon, WI 53092 • 800.558.8700

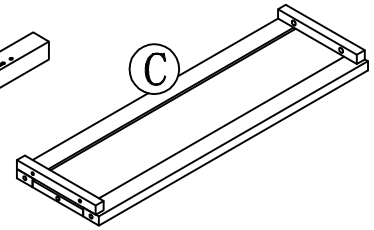
PARTS LIST:



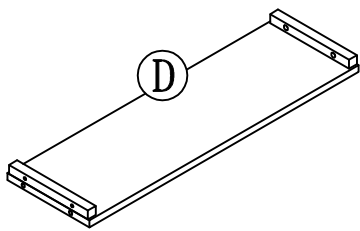
LEFT SIDE PANEL 1PC



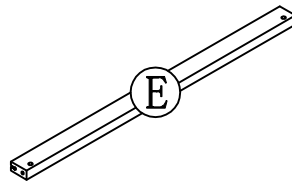
RIGHT SIDE PANEL 1PC



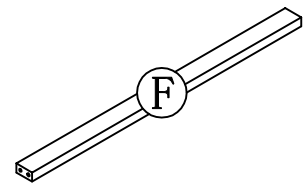
FRONT FRAME 1PC



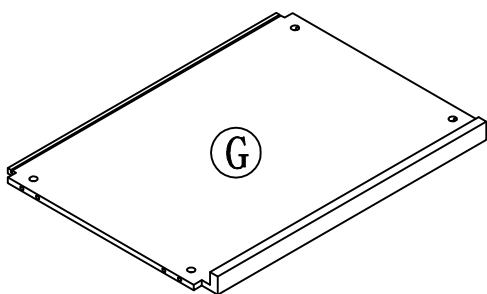
BACK UPPER PANEL 1PC



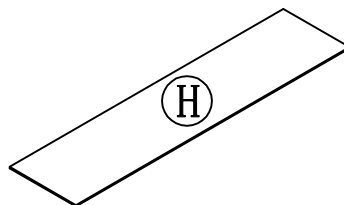
BACK LOWER CROSS BAR 1PC



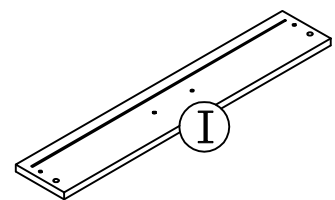
FRONT CROSS BAR 1PC



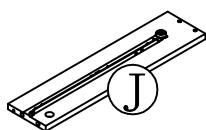
FIXED PANEL 1PC



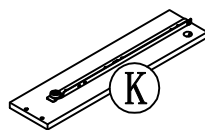
BACK PANEL 1PC



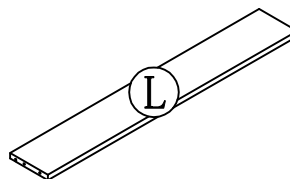
DRAWER FRONT PANEL 1PC



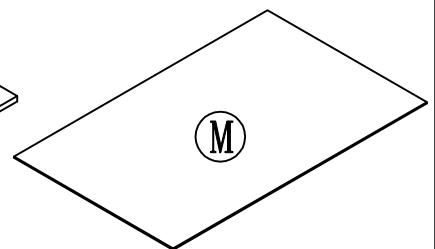
DRAWER LEFT SIDE
PANEL 1PC



DRAWER RIGHT SIDE
PANEL 1PC



DRAWER BACK
PANEL 1PC

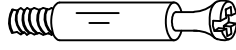


DRAWER BOTTOM
PANEL 1PC

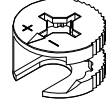
HARDWARE LIST:



a. WOOD DOWEL 18PCS



b. CAM LOCK SCREW 6PCS



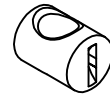
c. CAM LOCK 6PCS



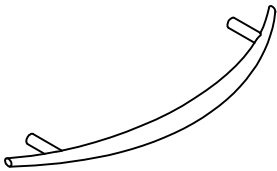
d. PHILIP HEAD SCREW 4PCS



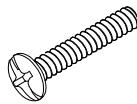
e. FLAT HEAD SCREW 12PCS



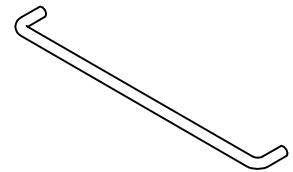
f. 4PCS



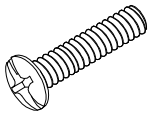
g. HANDLE (1) 1PC



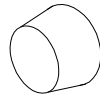
h. $\phi 5/32$ " HANDLE BOLT 2PCS



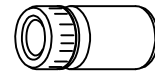
i. HANDLE (2) 2PCS



j. $\phi 3/16$ " HANDLE BOLT 4PCS



k. WOOD PLUG 4PCS

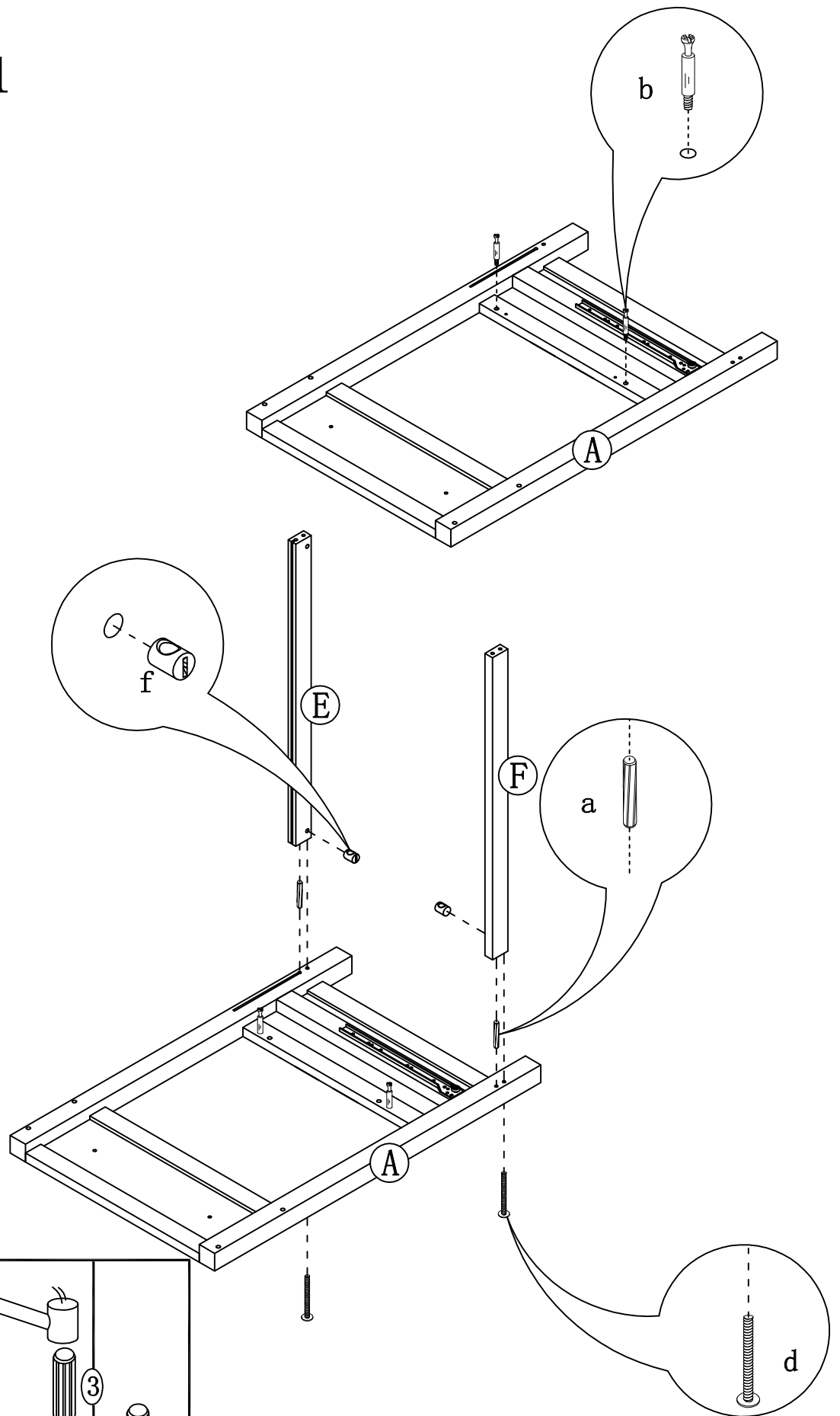


l. GLUE 1PC

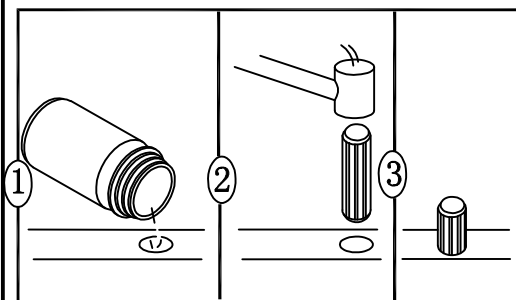
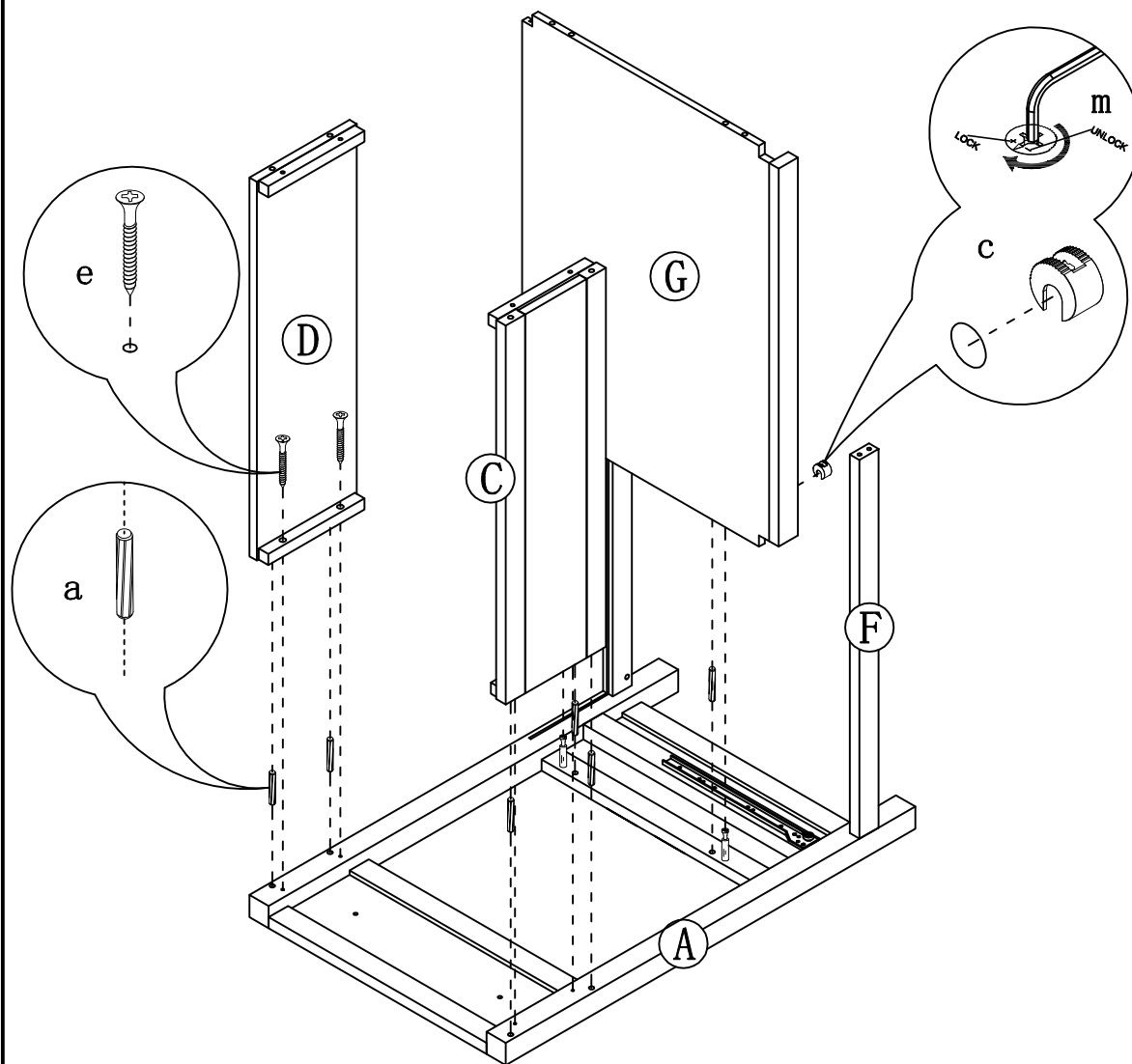


m. WRENCH 1PC

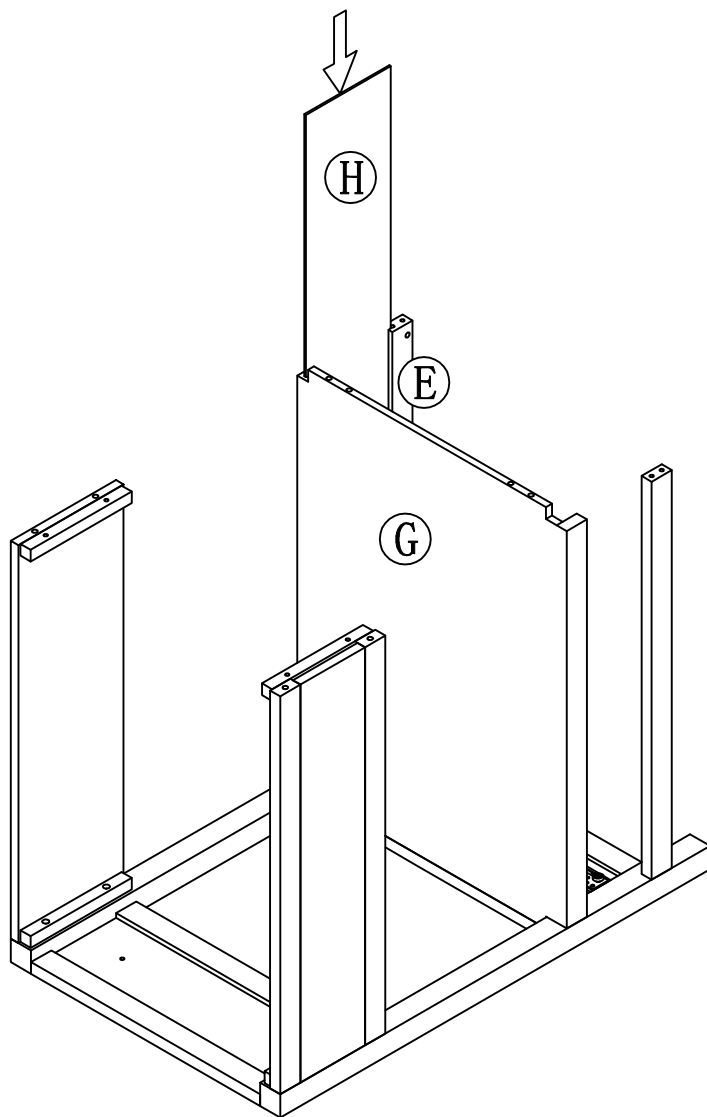
STEP 1



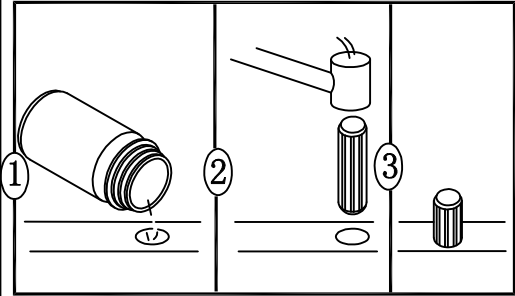
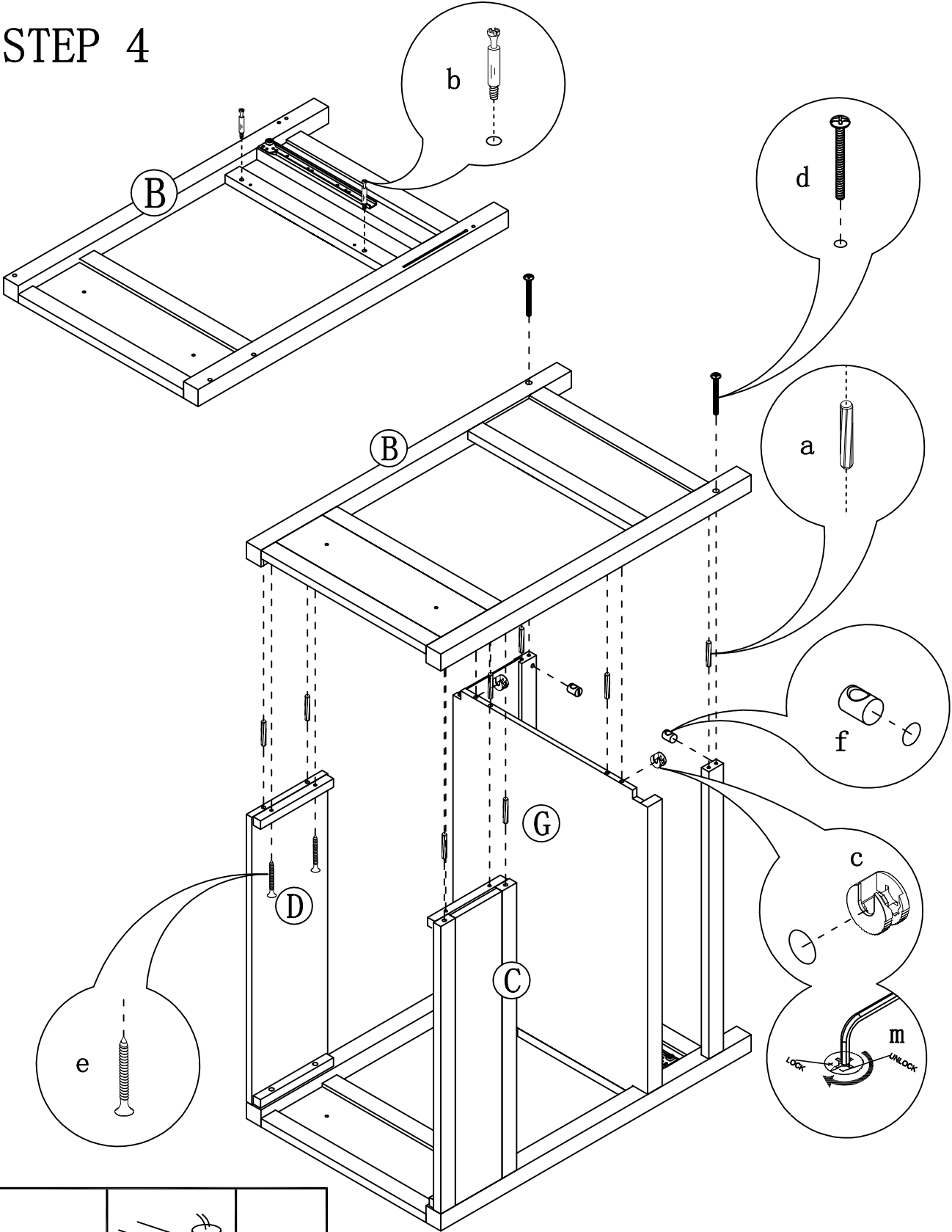
STEP 2



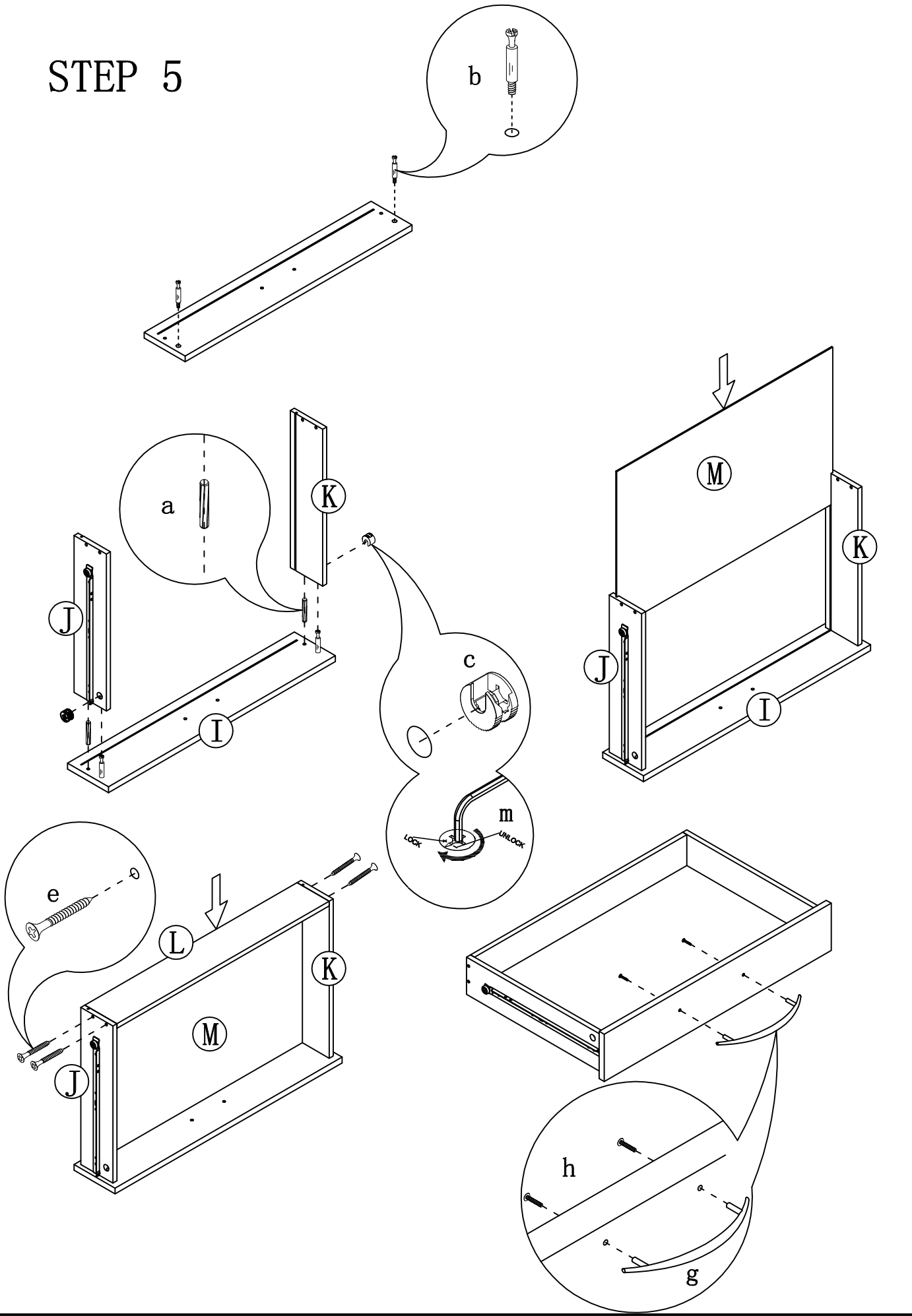
STEP 3



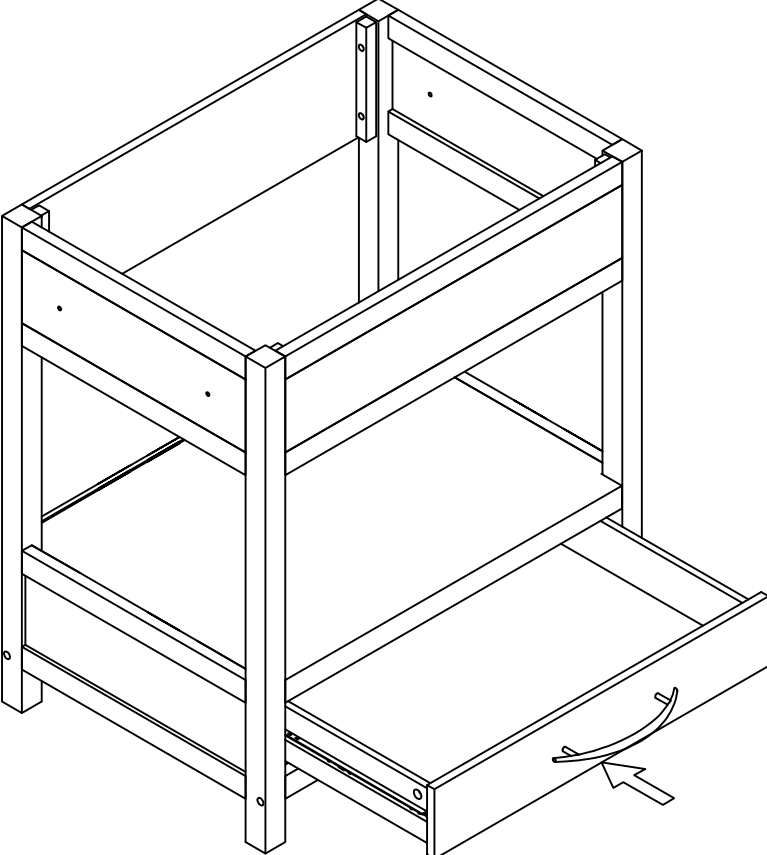
STEP 4



STEP 5



STEP 6



STEP 7

