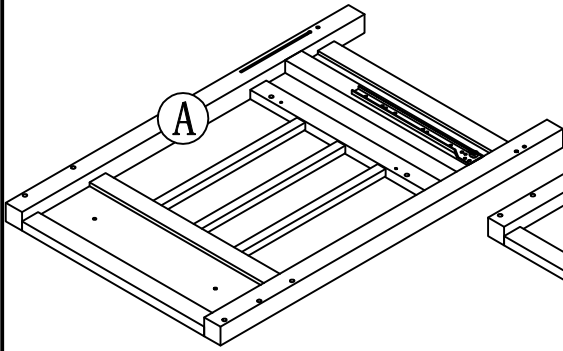


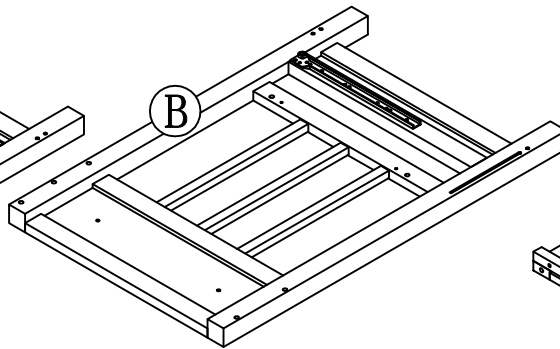
541516

# ASSEMBLY INSTRUCTIONS

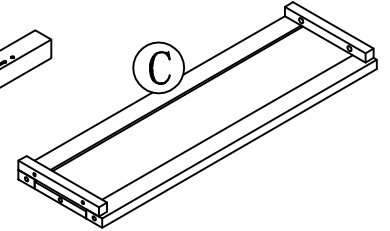
# PARTS LIST:



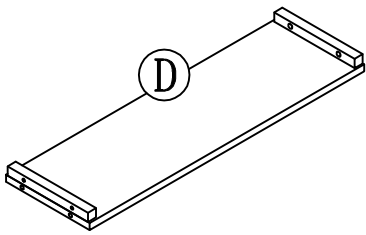
LEFT SIDE PANEL 1PC



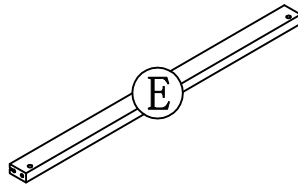
RIGHT SIDE PANEL 1PC



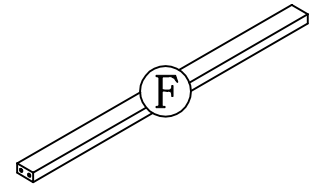
FRONT FRAME 1PC



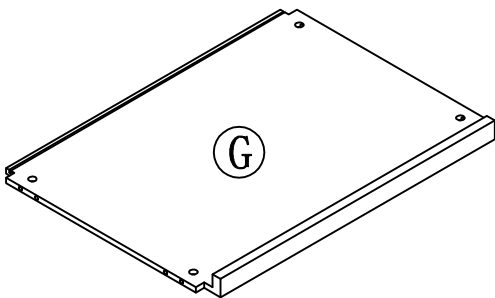
BACK UPPER PANEL 1PC



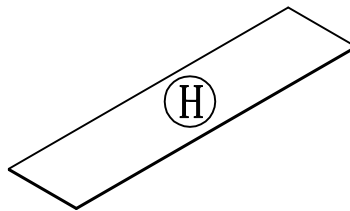
BACK LOWER CROSS BAR 1PC



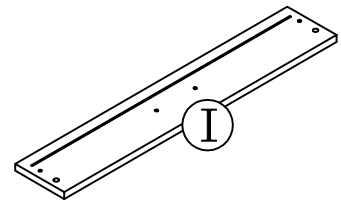
FRONT CROSS BAR 1PC



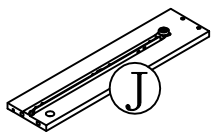
FIXED PANEL 1PC



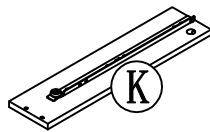
BACK PANEL 1PC



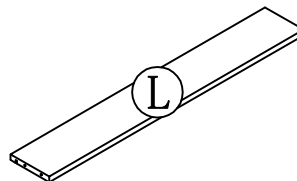
DRAWER FRONT PANEL 1PC



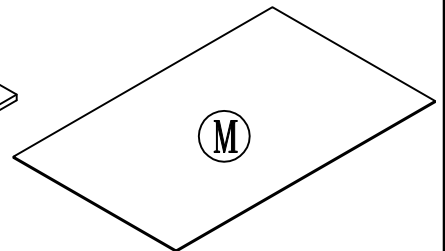
DRAWER LEFT SIDE  
PANEL 1PC



DRAWER RIGHT SIDE  
PANEL 1PC



DRAWER BACK  
PANEL 1PC

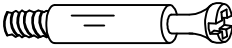


DRAWER BOTTOM  
PANEL 1PC

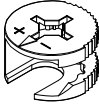
# HARDWARE LIST:



a. WOOD DOWEL 18PCS



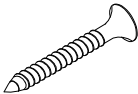
b. CAM LOCK SCREW 6PCS



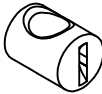
c. CAM LOCK 6PCS



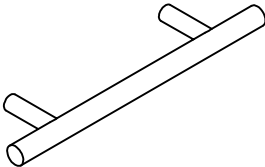
d. PHILIP HEAD SCREW 4PCS



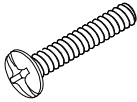
e. FLAT HEAD SCREW 12PCS



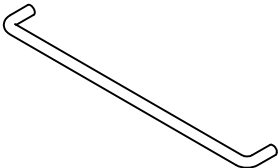
f. 4PCS



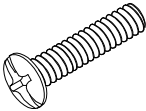
g. HANDLE (1) 1PC



h.  $\phi 5/32$ " HANDLE BOLT 2PCS



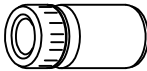
i. HANDLE (2) 2PCS



j.  $\phi 3/16$ " HANDLE BOLT 4PCS



k. WOOD PLUG 4PCS

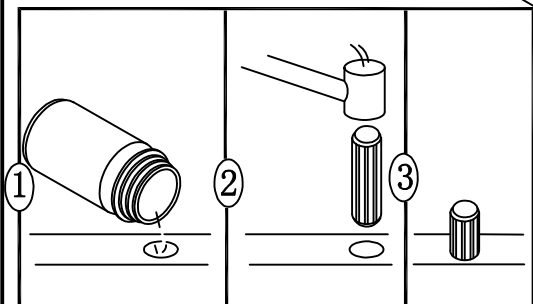
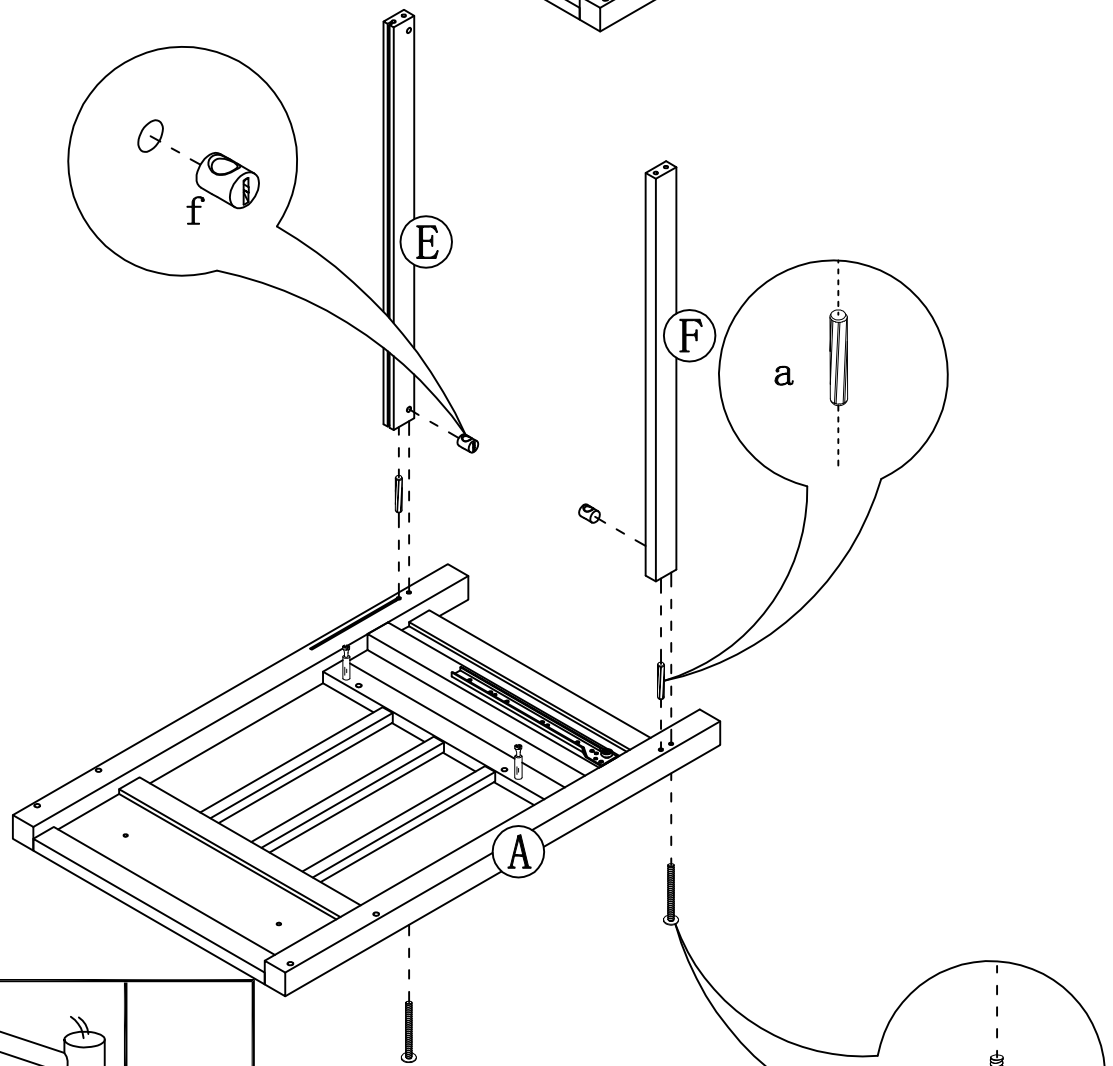
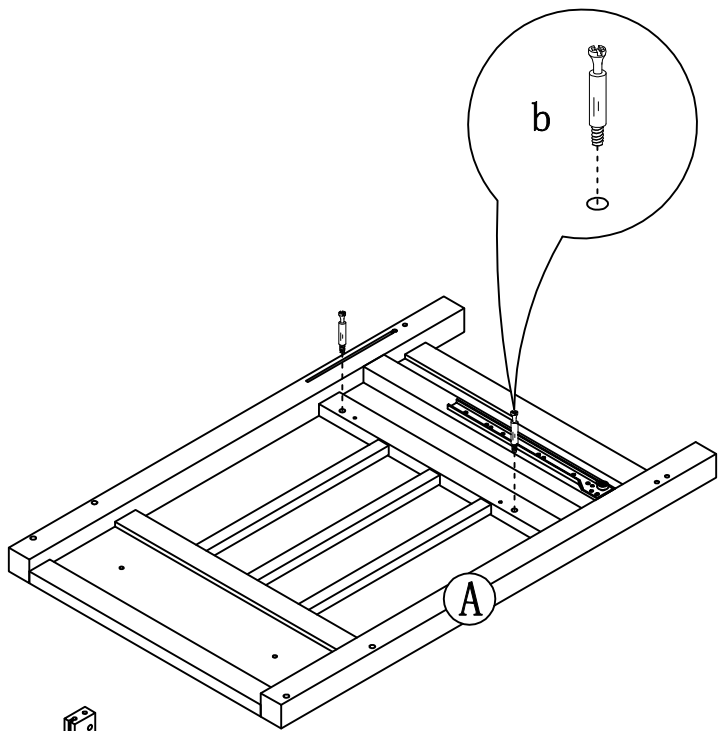


l. GLUE 1PC

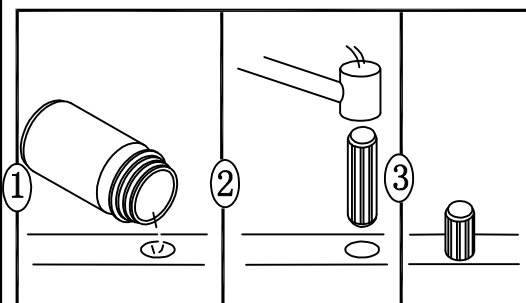
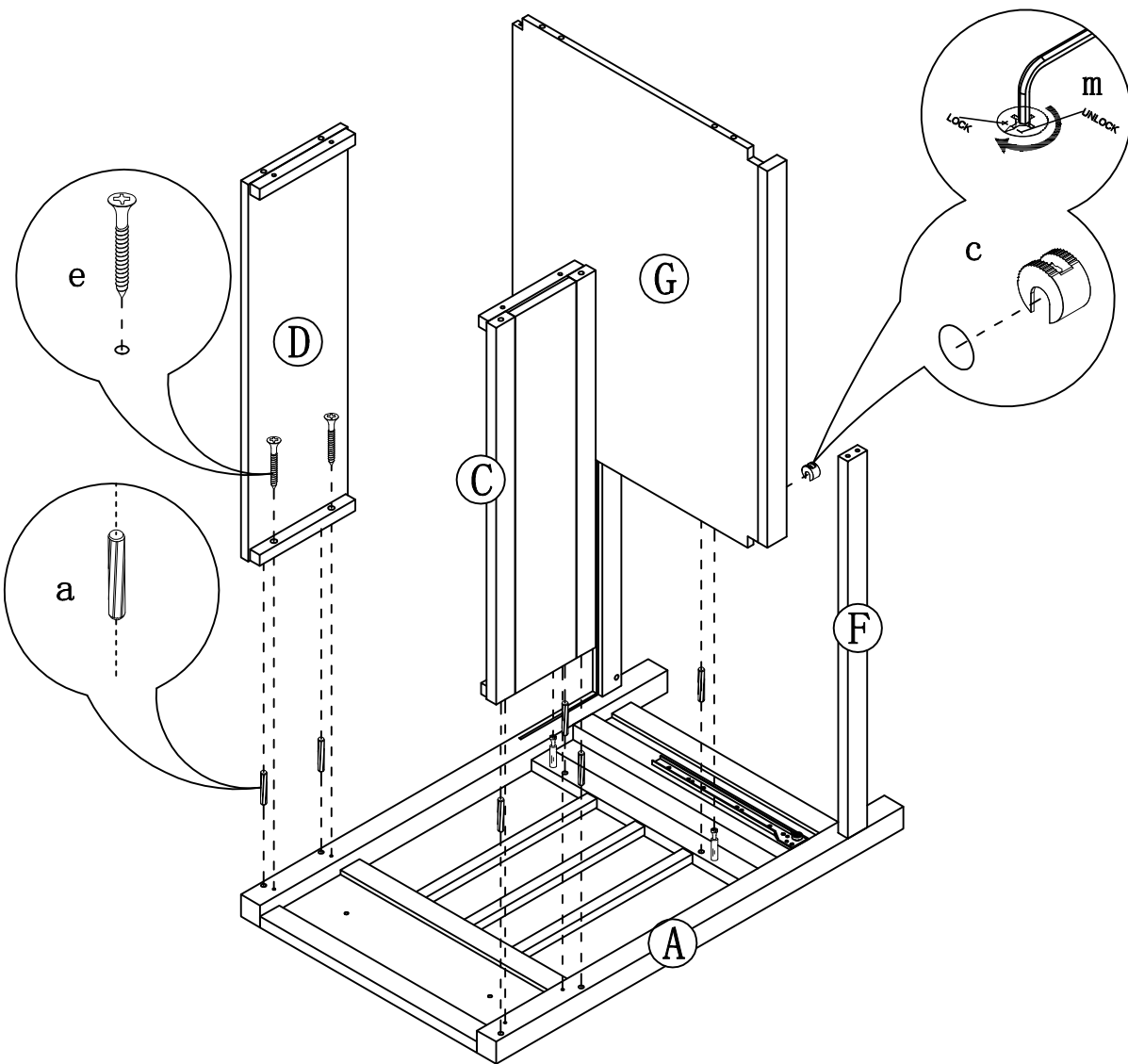


m. WRENCH 1PC

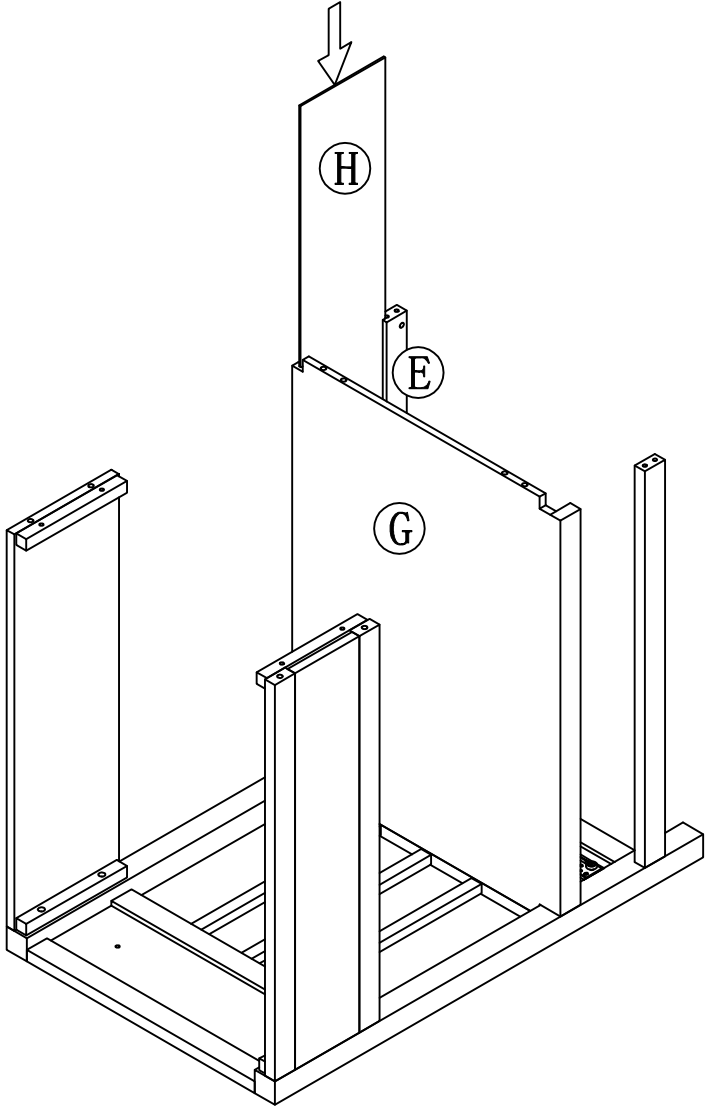
# STEP 1



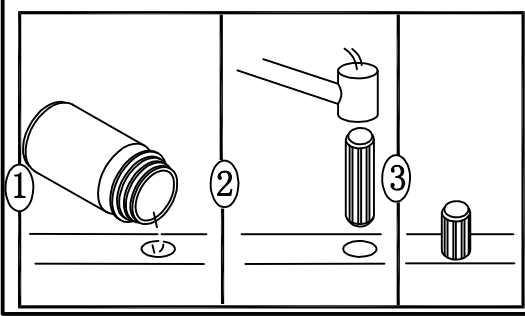
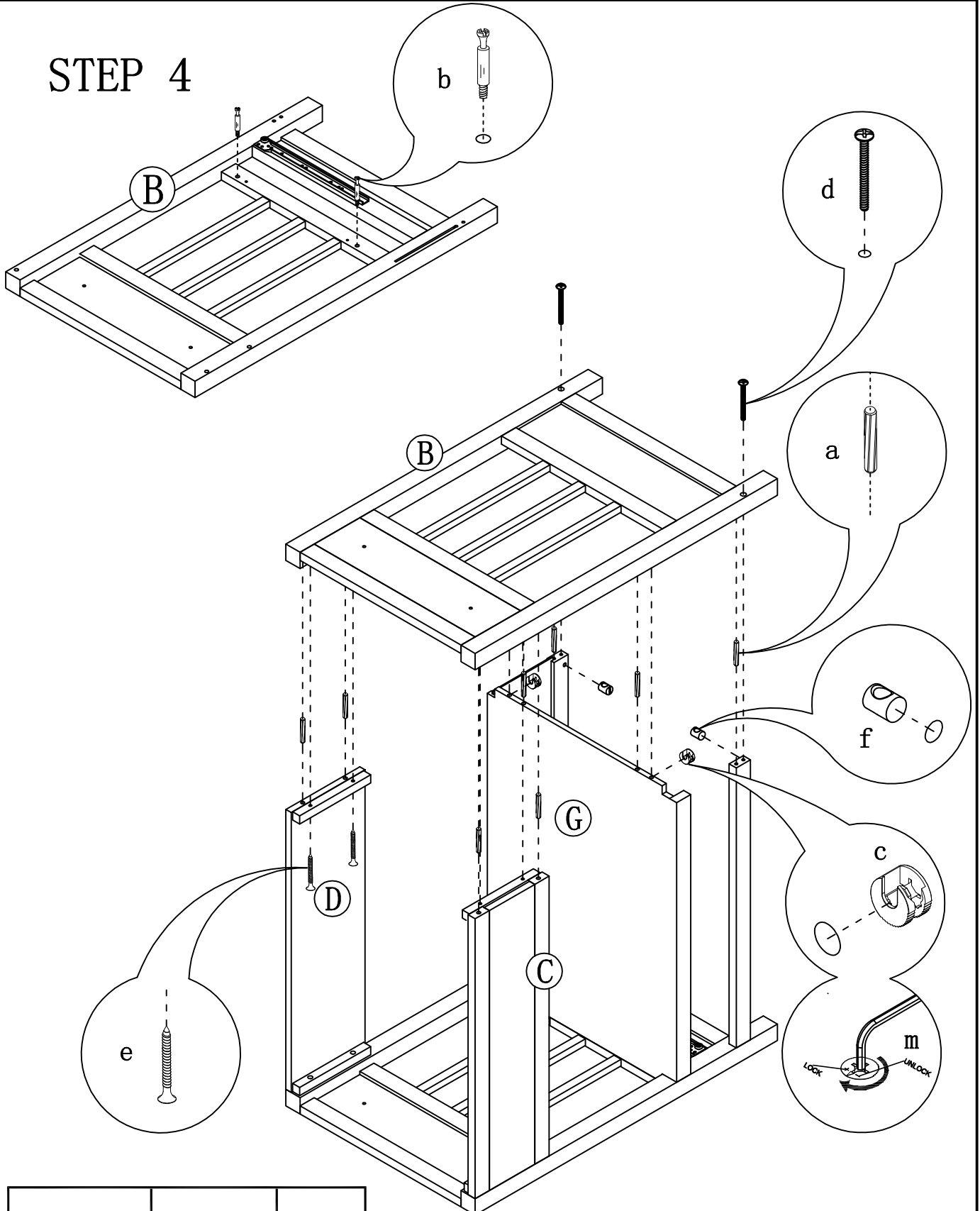
# STEP 2



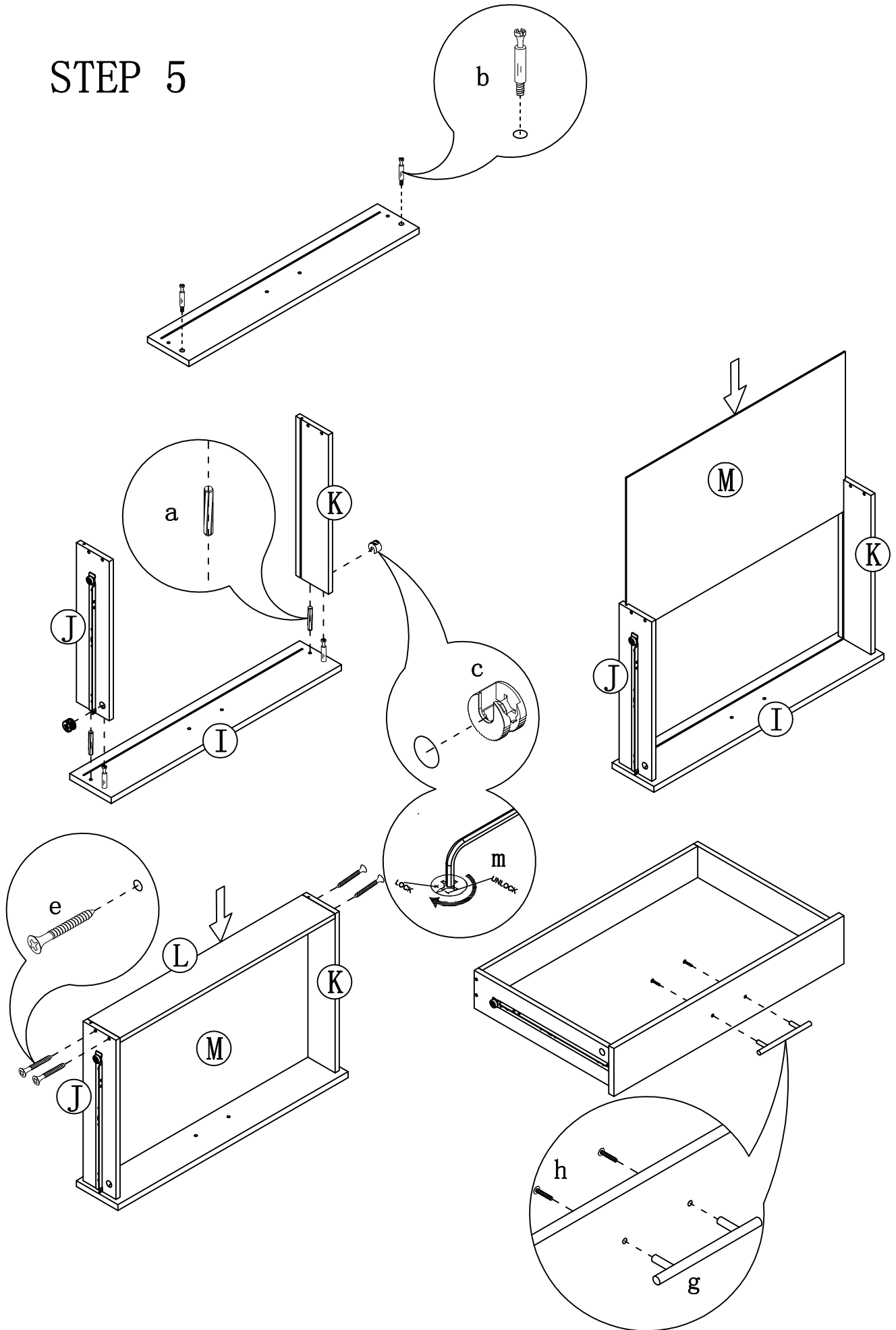
STEP 3



# STEP 4

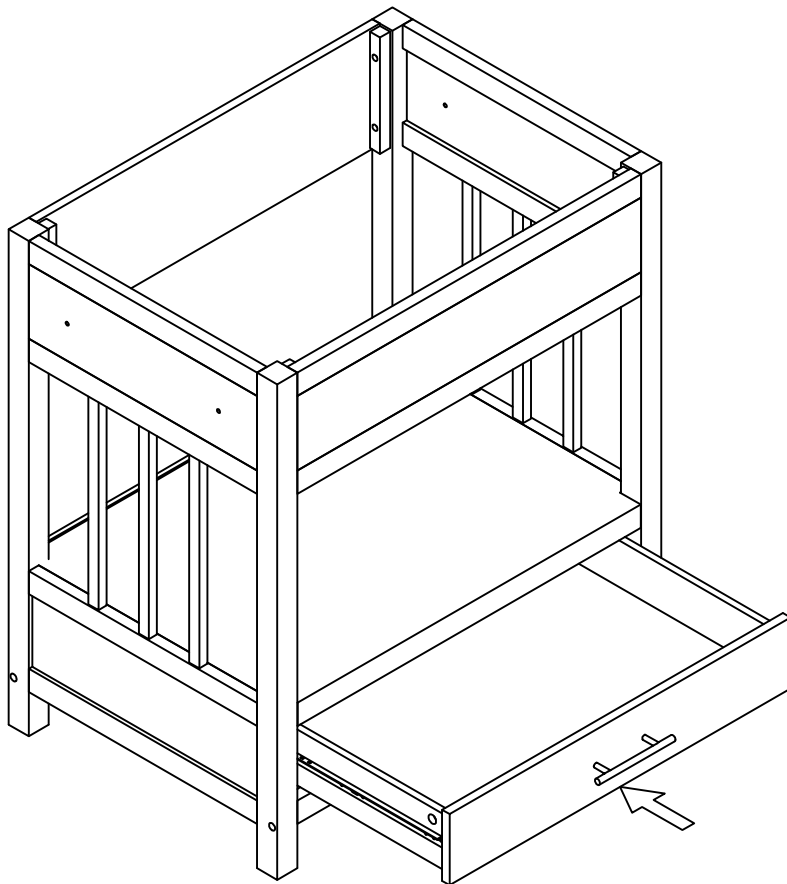


# STEP 5





# STEP 6



# STEP 7

