

# Claremont Two Door Linen Cabinet

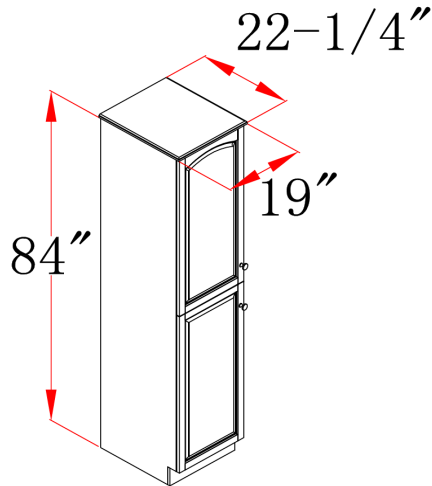


## Specifications

- Solid wood door frame
- Raised panel veneer, full overlay door design
- Aged brass hardware
- Concealed, adjustable hinges
- Cam-lock connectors for fast & easy assembly
- 2 adjustable shelves



## Dimensions



## Warranty & Compliances

**Warranty** Limited 1 year warranty  
**California 93120** Compliant



## Order Codes & Finishes/Colors

18" w x 22.25" d x 84" h

539924

Type:  
Job:  
Order Code:  
Approvals:

Design House reserves the right to make changes in materials, specifications & models at any time. Design House also reserves the right to discontinue product without notice or obligation.